



US00D879897S

(12) **United States Design Patent**  
**Yang**

(10) **Patent No.:** **US D879,897 S**

(45) **Date of Patent:** **\*\* Mar. 31, 2020**

(54) **TOY VEHICLE**

(71) Applicant: **Chunmei Yang**, Shenzhen (CN)

(72) Inventor: **Chunmei Yang**, Shenzhen (CN)

(\*\*) Term: **15 Years**

(21) Appl. No.: **29/706,092**

(22) Filed: **Sep. 18, 2019**

(51) **LOC (12) Cl.** ..... **21-02**

(52) **U.S. Cl.**  
USPC ..... **D21/765**

(58) **Field of Classification Search**  
USPC ..... D21/533, 537, 539, 548, 561, 562,  
D21/578-581, 760, 765; D12/1  
CPC .... A63H 17/00; A63H 17/004; A63H 17/006;  
A63H 17/45; A63H 17/26; A63H 17/262;  
A63H 17/266; A63H 17/395; A63H  
33/003; A63H 33/005  
See application file for complete search history.

(56) **References Cited**

**U.S. PATENT DOCUMENTS**

|              |         |             |       |         |
|--------------|---------|-------------|-------|---------|
| D261,543 S * | 10/1981 | Morris, Sr. | ..... | D21/765 |
| D412,351 S * | 7/1999  | Gambs       | ..... | D21/765 |
| D487,486 S * | 3/2004  | Bao         | ..... | D21/533 |
| D506,161 S   | 6/2005  | Stephenson  |       |         |
| D513,630 S   | 1/2006  | Wei         |       |         |
| D682,362 S * | 5/2013  | Mozeika     | ..... | D21/533 |
| D691,675 S * | 10/2013 | Kim         | ..... | D21/533 |
| D720,824 S * | 1/2015  | Norman      | ..... | D21/765 |
| D723,123 S * | 2/2015  | Norman      | ..... | D21/765 |
| D725,733 S * | 3/2015  | Norman      | ..... | D21/765 |

|              |         |               |               |
|--------------|---------|---------------|---------------|
| D769,378 S   | 10/2016 | Belker et al. |               |
| D770,574 S   | 11/2016 | Belker et al. |               |
| D798,407 S * | 9/2017  | Pang          | ..... D21/765 |
| D810,210 S * | 2/2018  | Lee           | ..... D21/533 |
| D818,070 S * | 5/2018  | Pang          | ..... D21/765 |
| D849,598 S * | 5/2019  | Schroeder     | ..... D12/14  |
| D858,351 S * | 9/2019  | Schroeder     | ..... D12/14  |

\* cited by examiner

*Primary Examiner* — Cynthia M. Chin

(74) *Attorney, Agent, or Firm* — Wayne V. Harper

(57) **CLAIM**

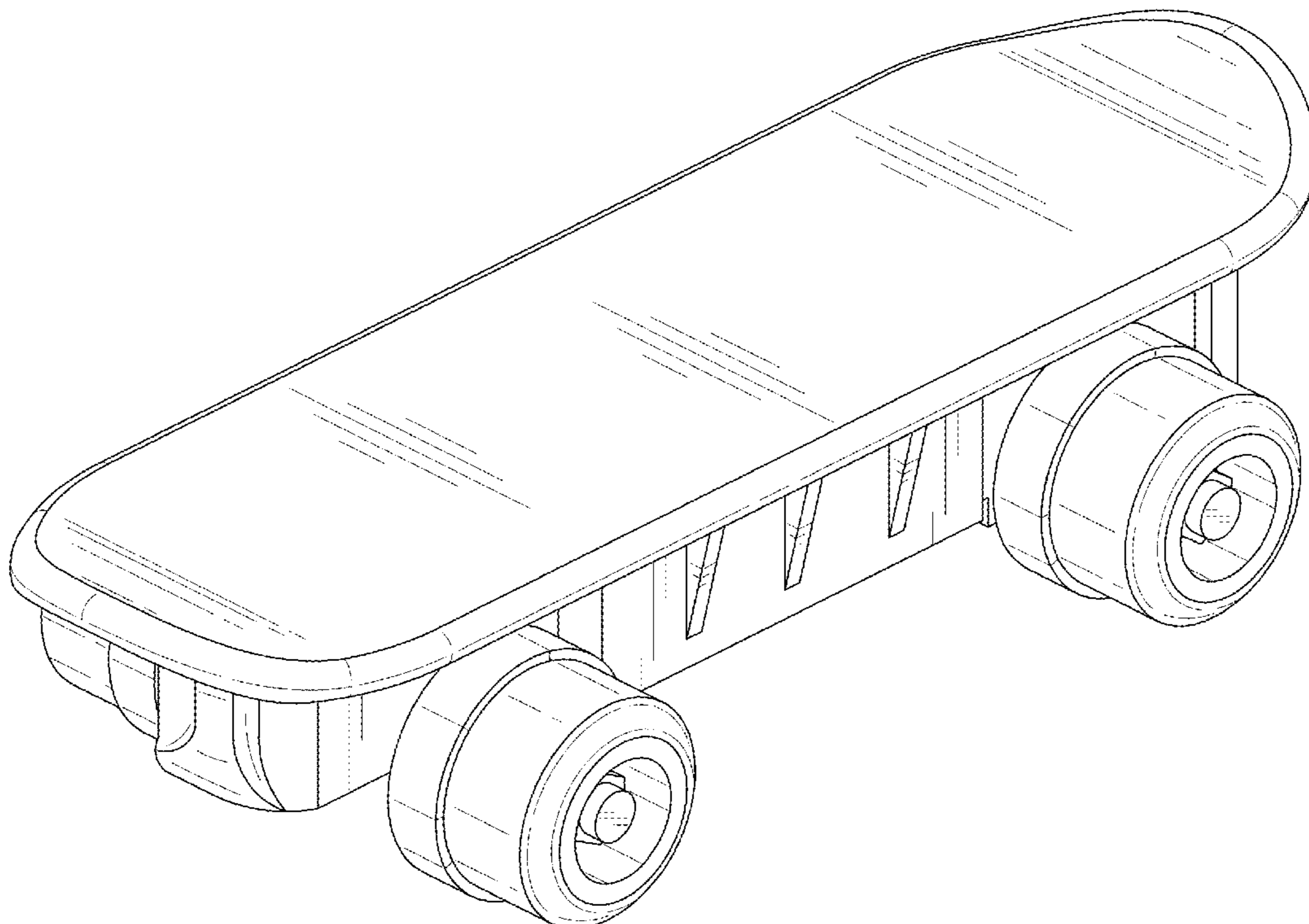
I claim the ornamental design for a toy vehicle, as shown and described.

**DESCRIPTION**

FIG. 1 is a Perspective view of a toy vehicle showing my new design;  
FIG. 2 is a Front view of the toy vehicle as shown in FIG. 1;  
FIG. 3 is a Back view of the toy vehicle as shown in FIG. 1;  
FIG. 4 is a Top view of the toy vehicle as shown in FIG. 1;  
FIG. 5 is a Bottom view of the toy vehicle as shown in FIG. 1;  
FIG. 6 is a Left-side view of the toy vehicle as shown in FIG. 1; and,  
FIG. 7 is a Right-side view of the toy vehicle as shown in FIG. 1.

The broken lines are only for the purpose of illustrating portions of the toy vehicle that form no part of the claim.

**1 Claim, 7 Drawing Sheets**



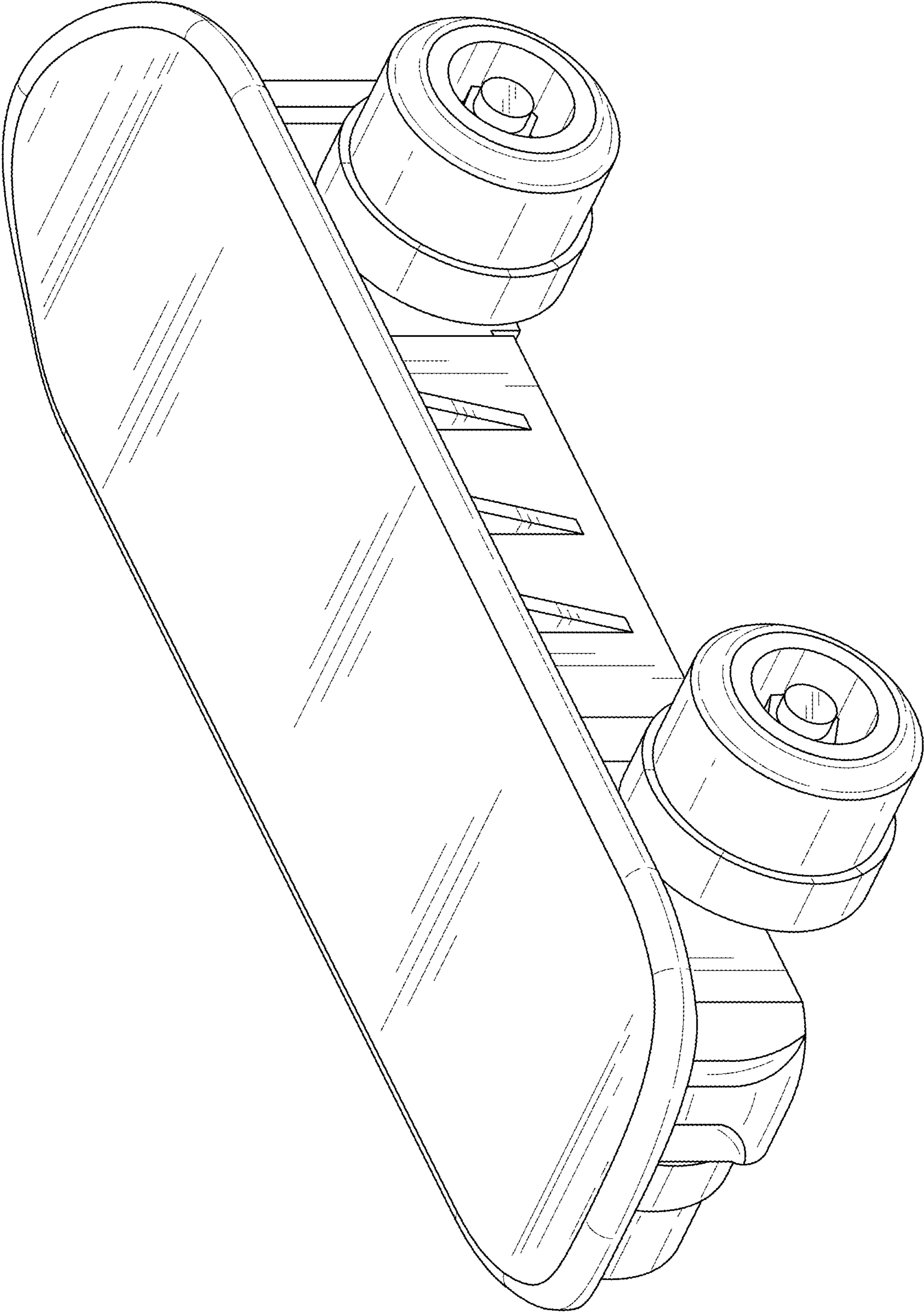


FIG. 1

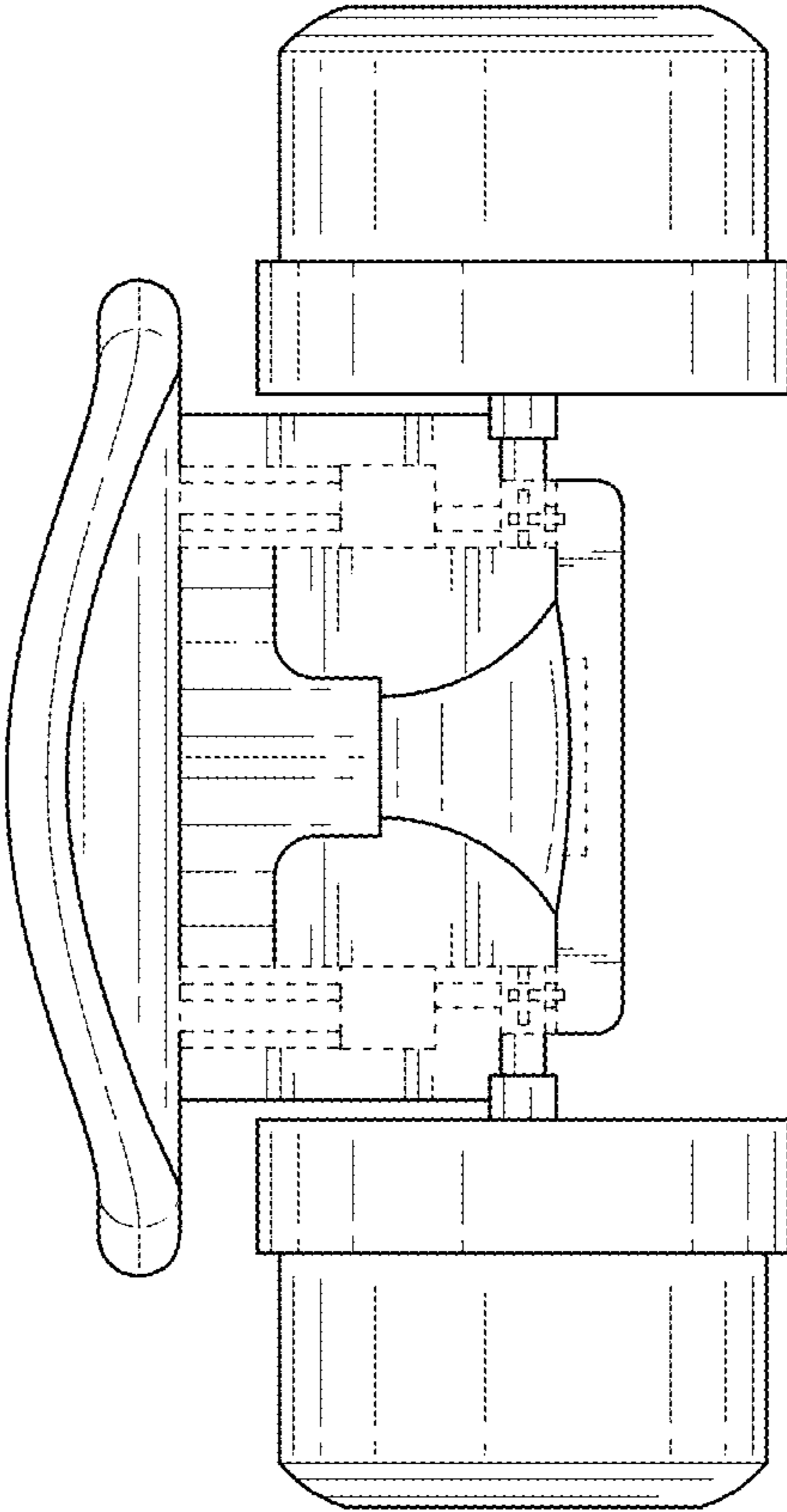


FIG. 2

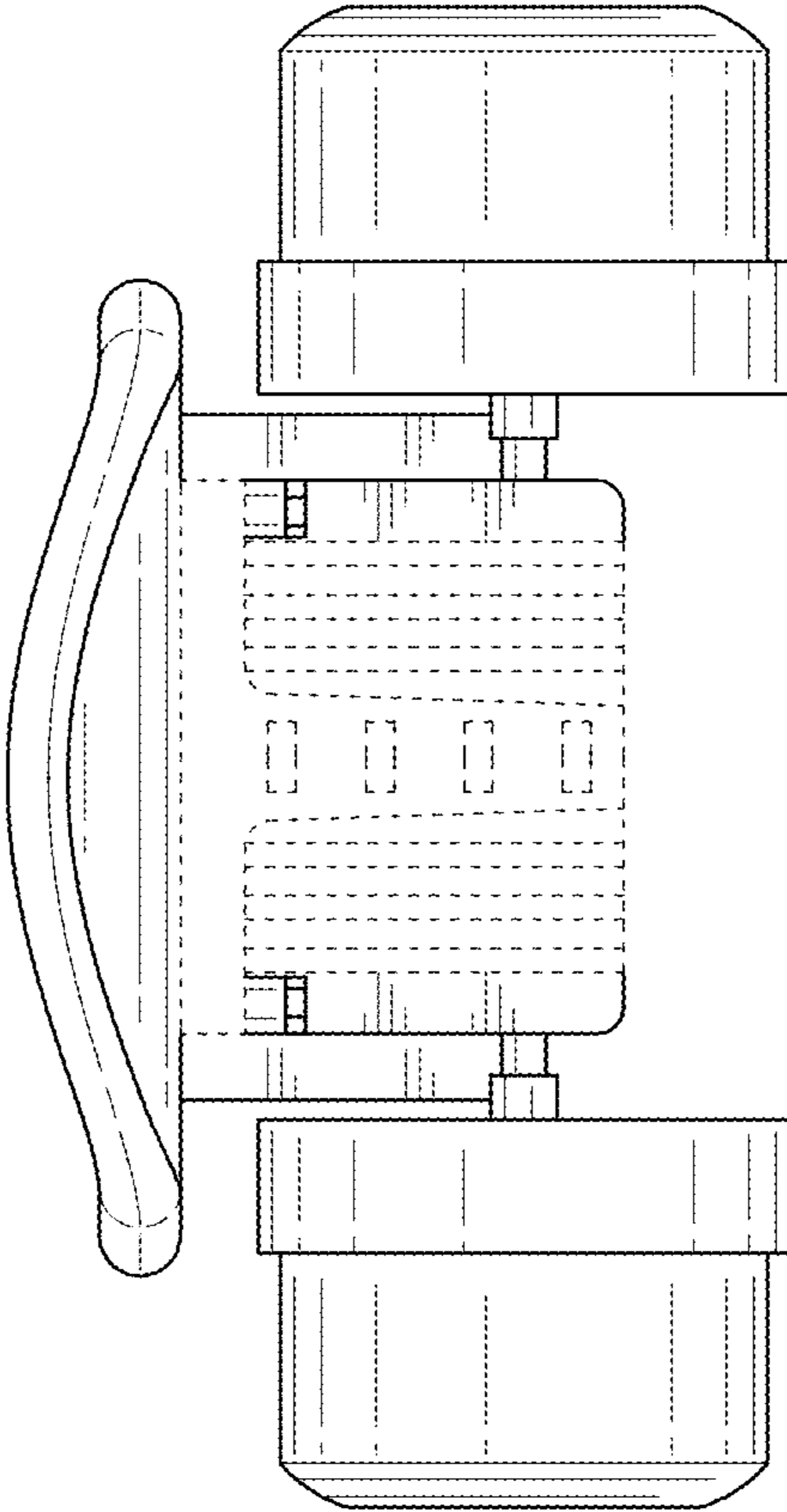


FIG. 3

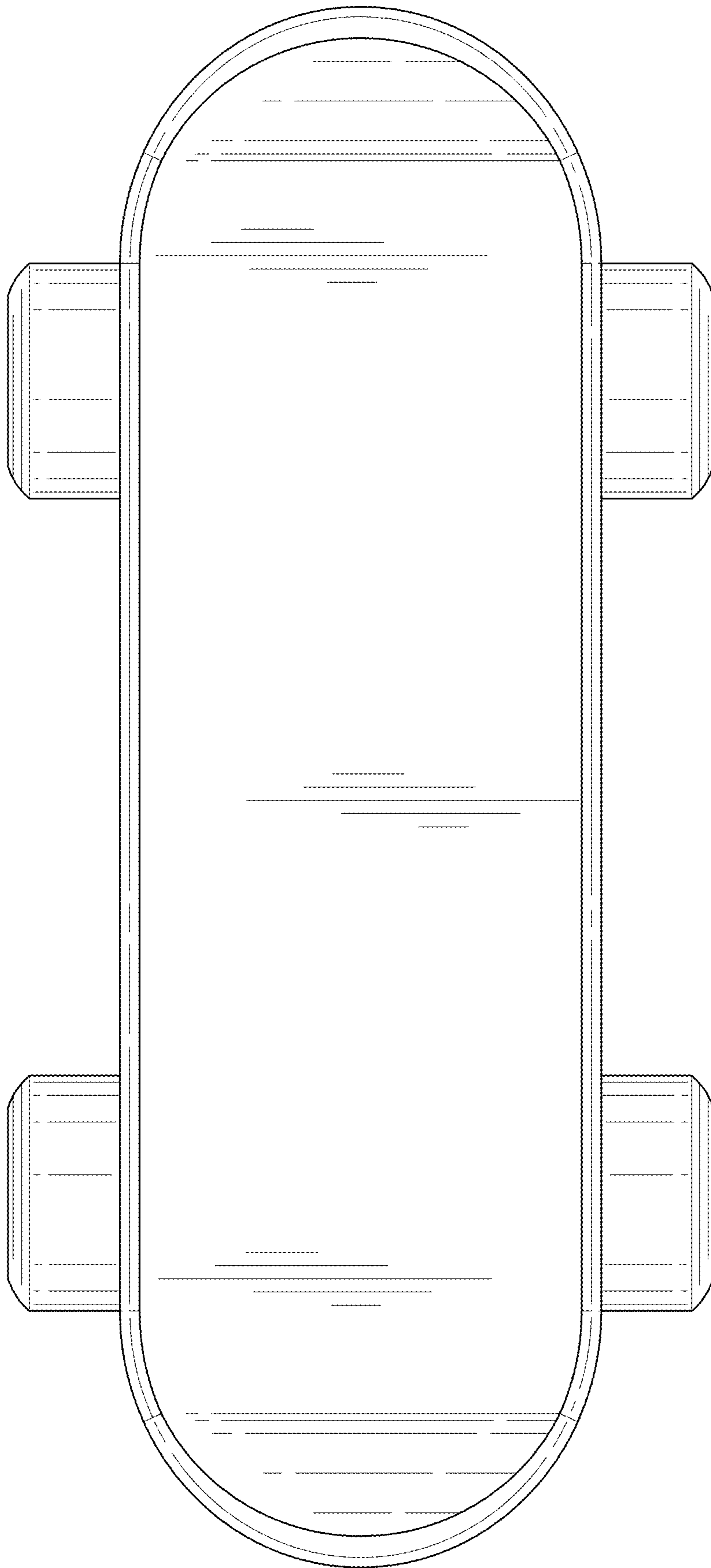


FIG. 4



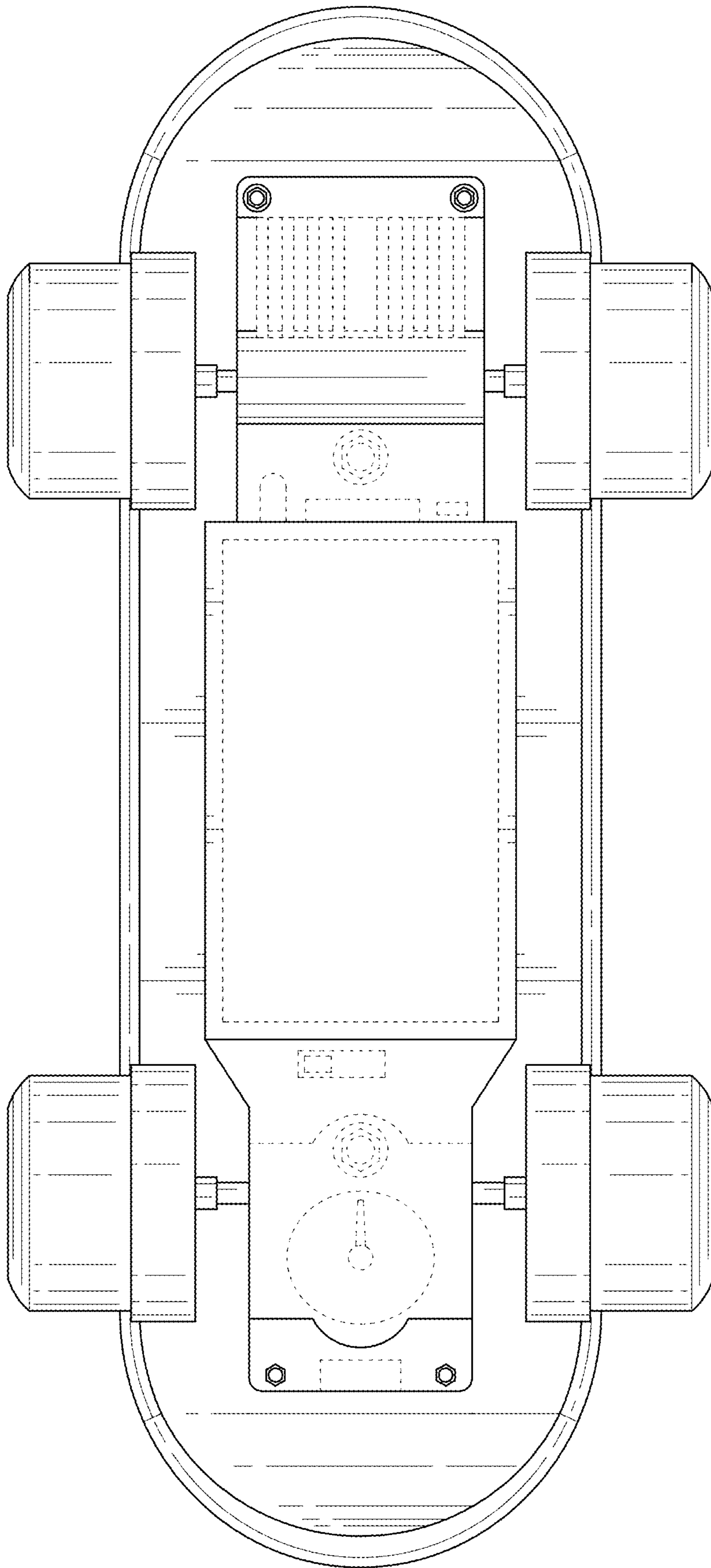


FIG. 5

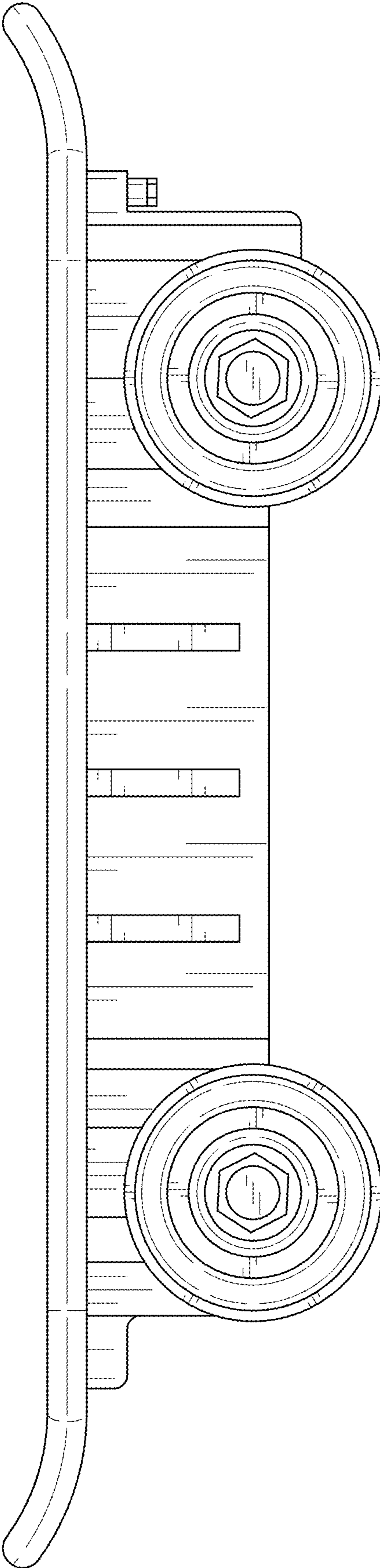


FIG. 6

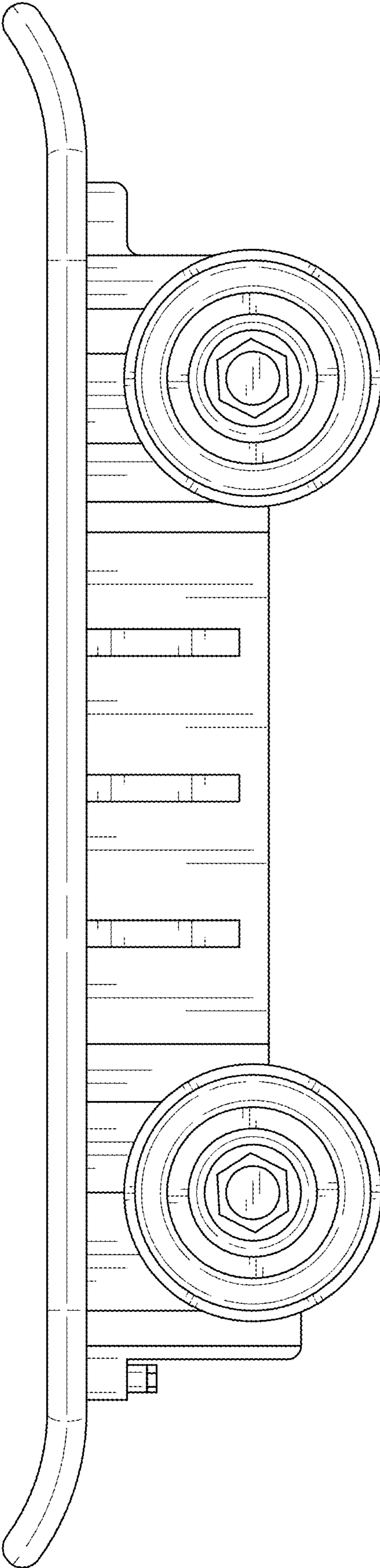


FIG. 7