



US00D879896S

(12) **United States Design Patent**  
**Zhang et al.**

(10) **Patent No.:** **US D879,896 S**  
(45) **Date of Patent:** **\*\* Mar. 31, 2020**

- (54) **WHEELED VEHICLE**
- (71) Applicant: **Shenzhen Invanti Industrial Co., Ltd.**,  
Shenzhen, Guangdong (CN)
- (72) Inventors: **Dianxuan Zhang**, Guangdong (CN);  
**Dengjin Zhou**, Guangdong (CN);  
**Xiangyun Yang**, Guangdong (CN);  
**Huihai Zeng**, Guangdong (CN)
- (73) Assignee: **Shenzhen Invanti Industrial Co., Ltd.**  
(CN)

D614,532 S *	4/2010	Rudolph	.....	D12/1
D620,538 S *	7/2010	Poolman	.....	D21/550
D624,136 S *	9/2010	Chen	.....	D21/760
D624,137 S *	9/2010	Chen	.....	D21/760
RE45,917 E *	3/2016	Kim	.....	B60K 1/04
D774,958 S *	12/2016	Chen	.....	D12/107
D774,959 S *	12/2016	Chen	.....	D12/107
D784,852 S *	4/2017	Gong	.....	D12/1
D813,958 S *	3/2018	Dooley	.....	D21/533
D833,538 S *	11/2018	Evans	.....	D21/421
2007/0042673 A1 *	2/2007	Ishihara	.....	A63H 11/00 446/409
2010/0099331 A1 *	4/2010	Yang	.....	A63H 17/395 446/465

(\*\*) Term: **15 Years**

\* cited by examiner

(21) Appl. No.: **29/643,436**

*Primary Examiner* — Cynthia M. Chin

(22) Filed: **Apr. 9, 2018**

(30) **Foreign Application Priority Data**

Mar. 8, 2018 (CN) ..... 2018 3 0085788

(51) **LOC (12) Cl.** ..... **21-02**

(52) **U.S. Cl.**  
USPC ..... **D21/763**

(58) **Field of Classification Search**  
USPC ..... D12/1, 107, 109, 110; D21/563, 760,  
D21/763, 764, 771, 779, 765; 180/7.1,  
180/11, 13, 20, 21, 65.1, 65.51,  
180/205.1–205.7, 313; 280/205  
CPC ..... B62D 61/00; B62K 1/00; B62K 3/007  
See application file for complete search history.

(56) **References Cited**

**U.S. PATENT DOCUMENTS**

D294,278 S \* 2/1988 Ukisu ..... D21/560  
D580,132 S \* 11/2008 Lin ..... D2/946

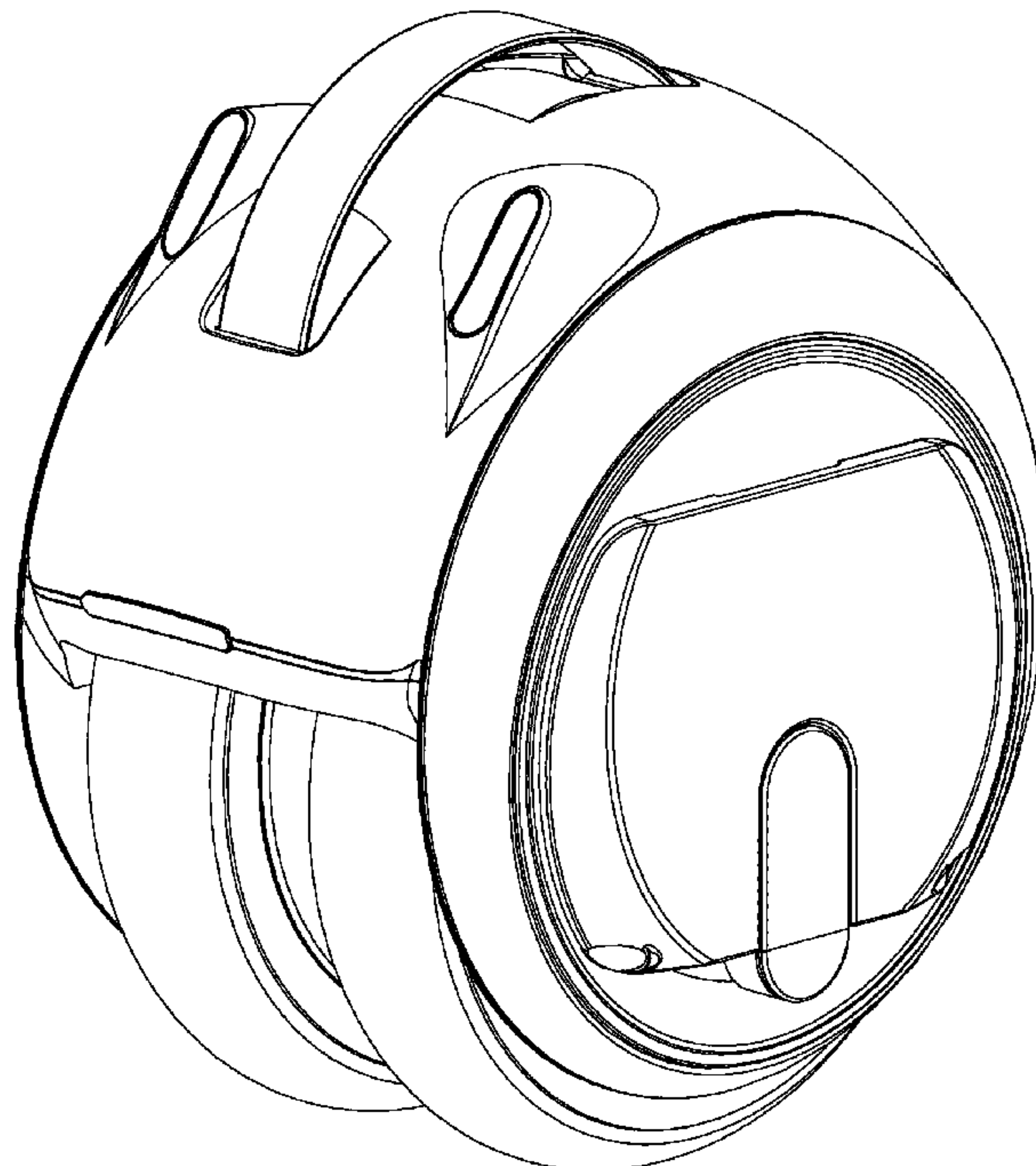
(57) **CLAIM**

The ornamental design for a wheeled vehicle, as shown and described.

**DESCRIPTION**

FIG. 1 is a front view of the wheeled vehicle showing our new design;  
FIG. 2 is a back view thereof;  
FIG. 3 is a left side view thereof;  
FIG. 4 is a right side view thereof;  
FIG. 5 is a top view thereof;  
FIG. 6 is a bottom view thereof;  
FIG. 7 is a top perspective view thereof; and,  
FIG. 8 is another top perspective view thereof.  
The broken lines are for the purpose of illustrating portions of the article that form no part of the claimed design.

**1 Claim, 8 Drawing Sheets**



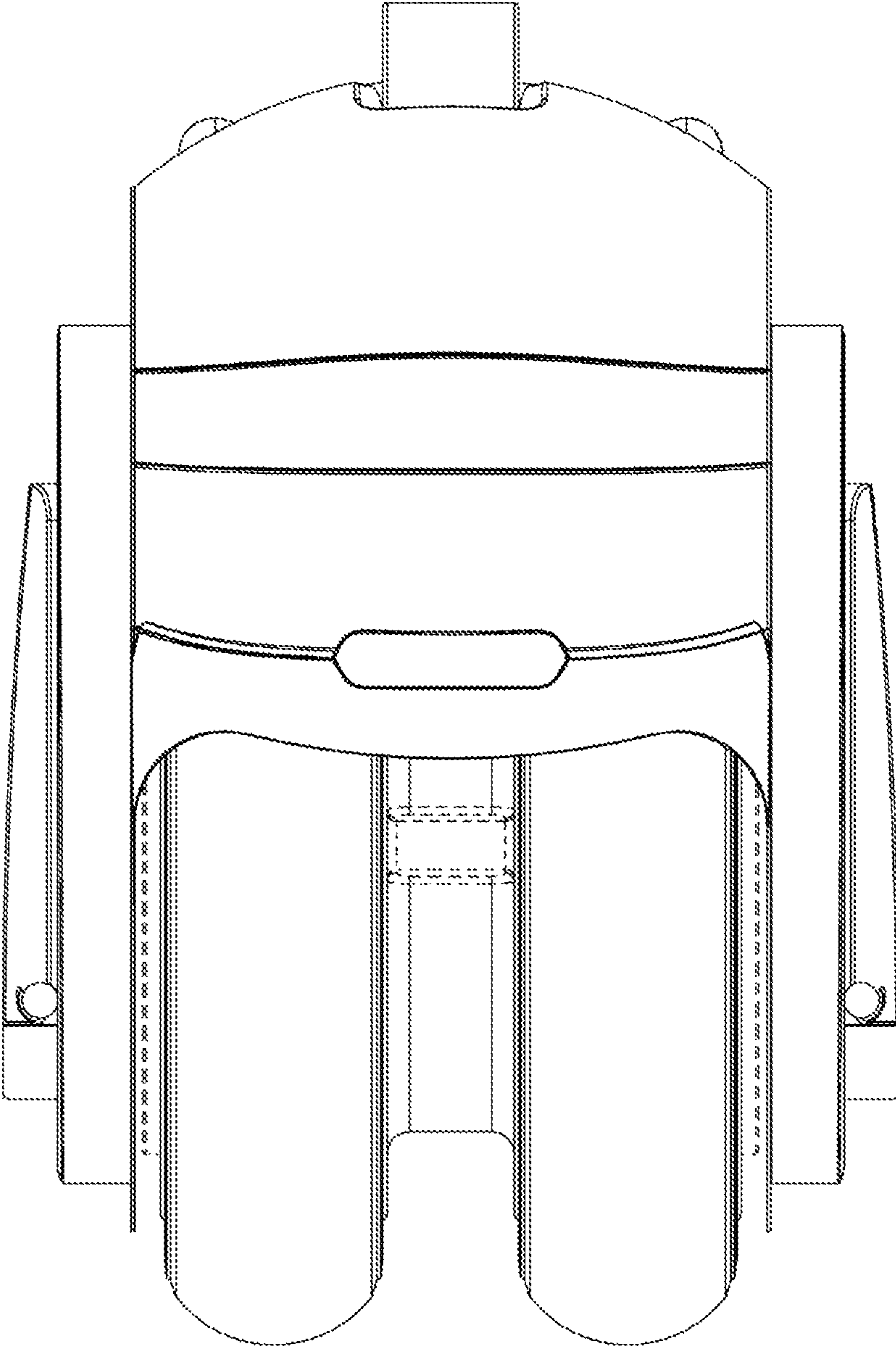


Fig. 1

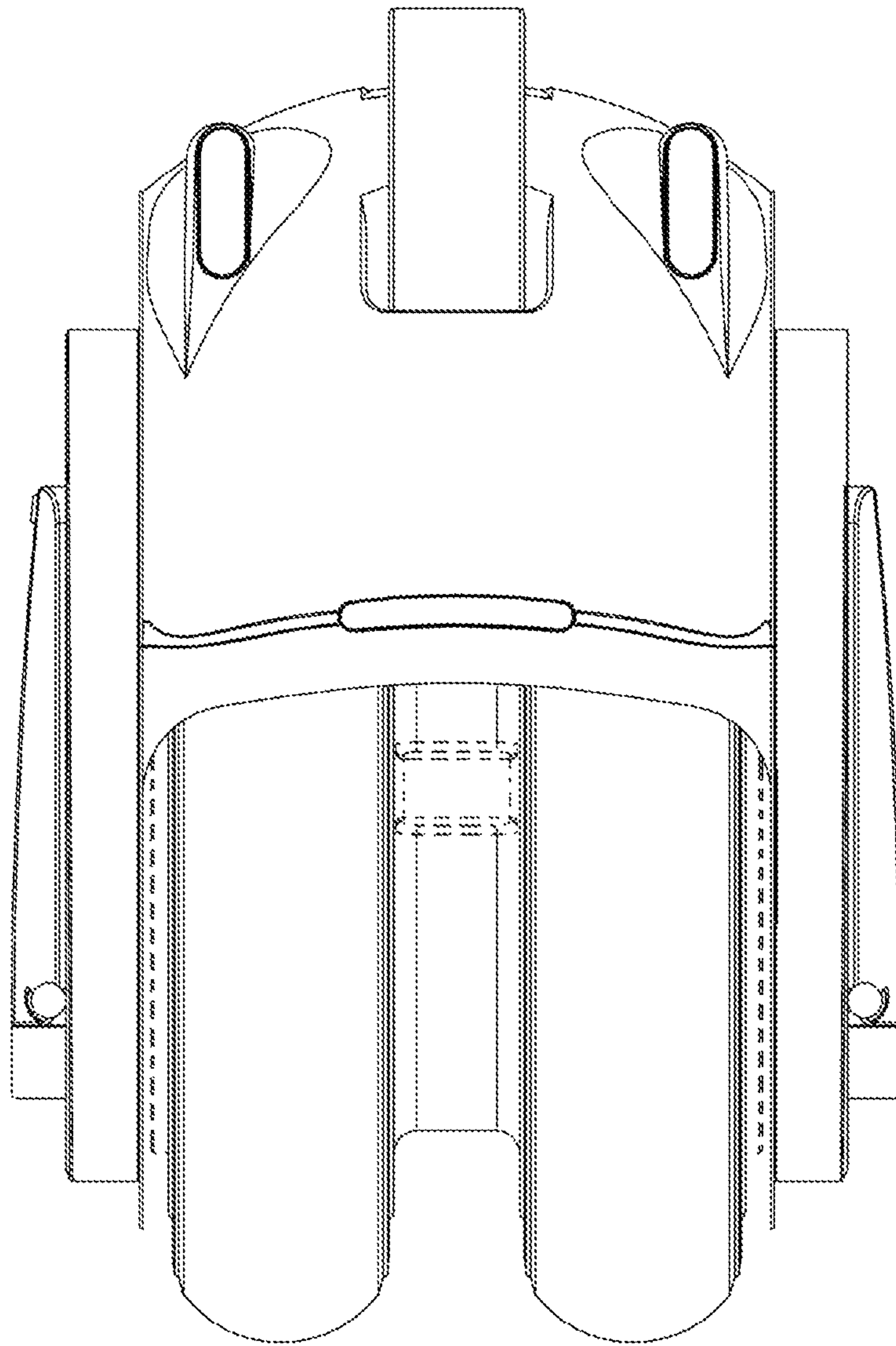


Fig. 2



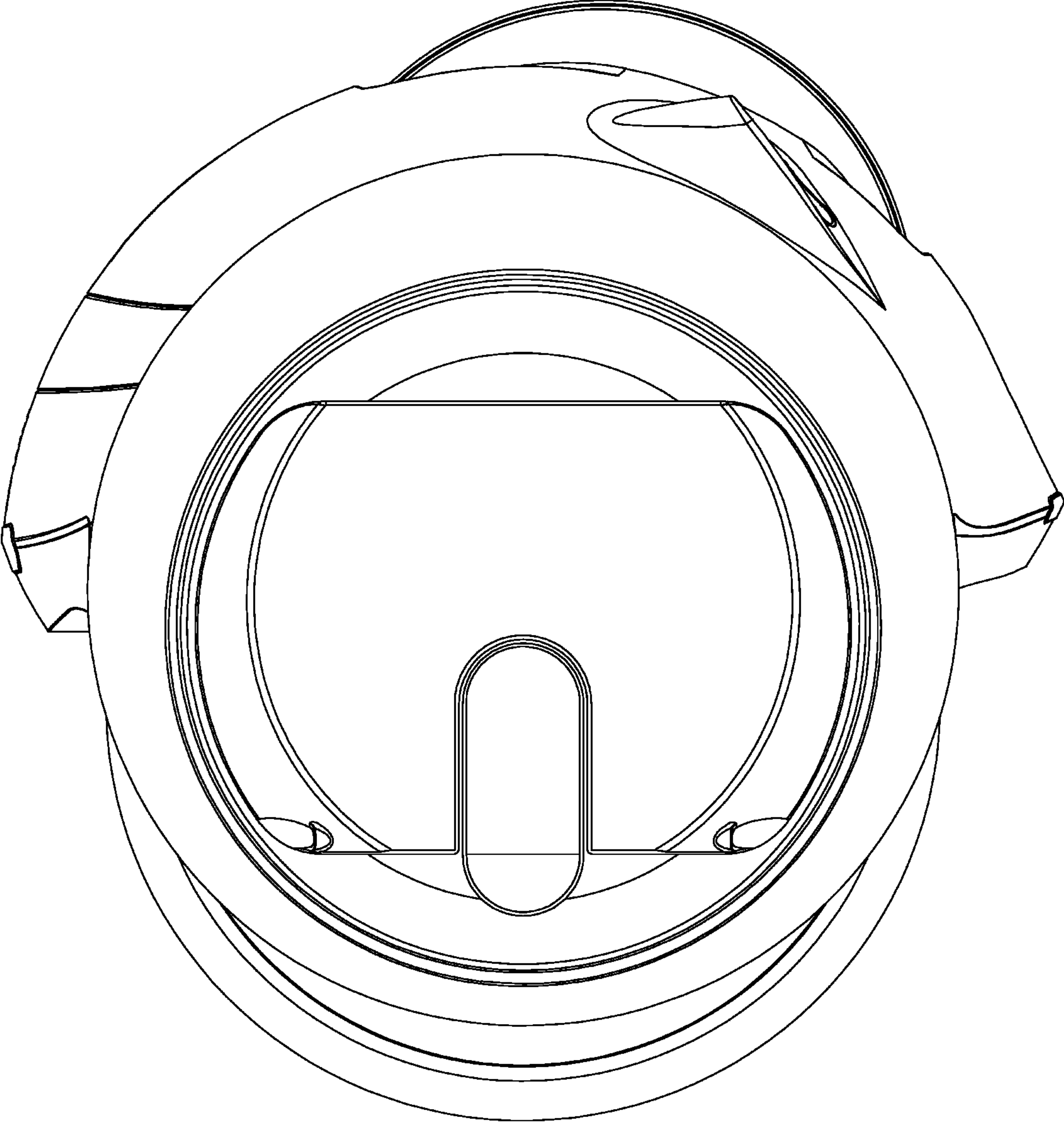


Fig. 3

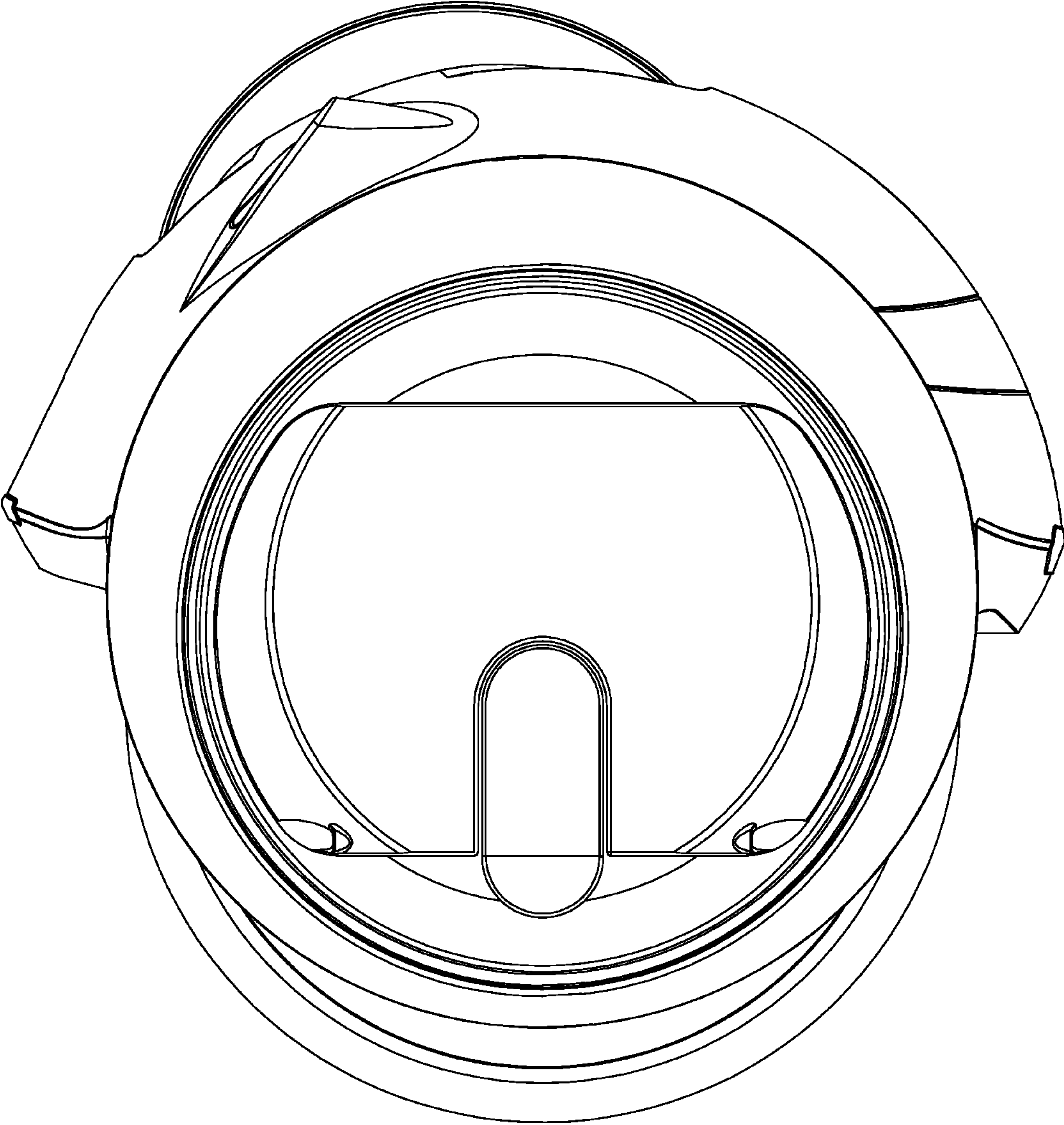


Fig. 4

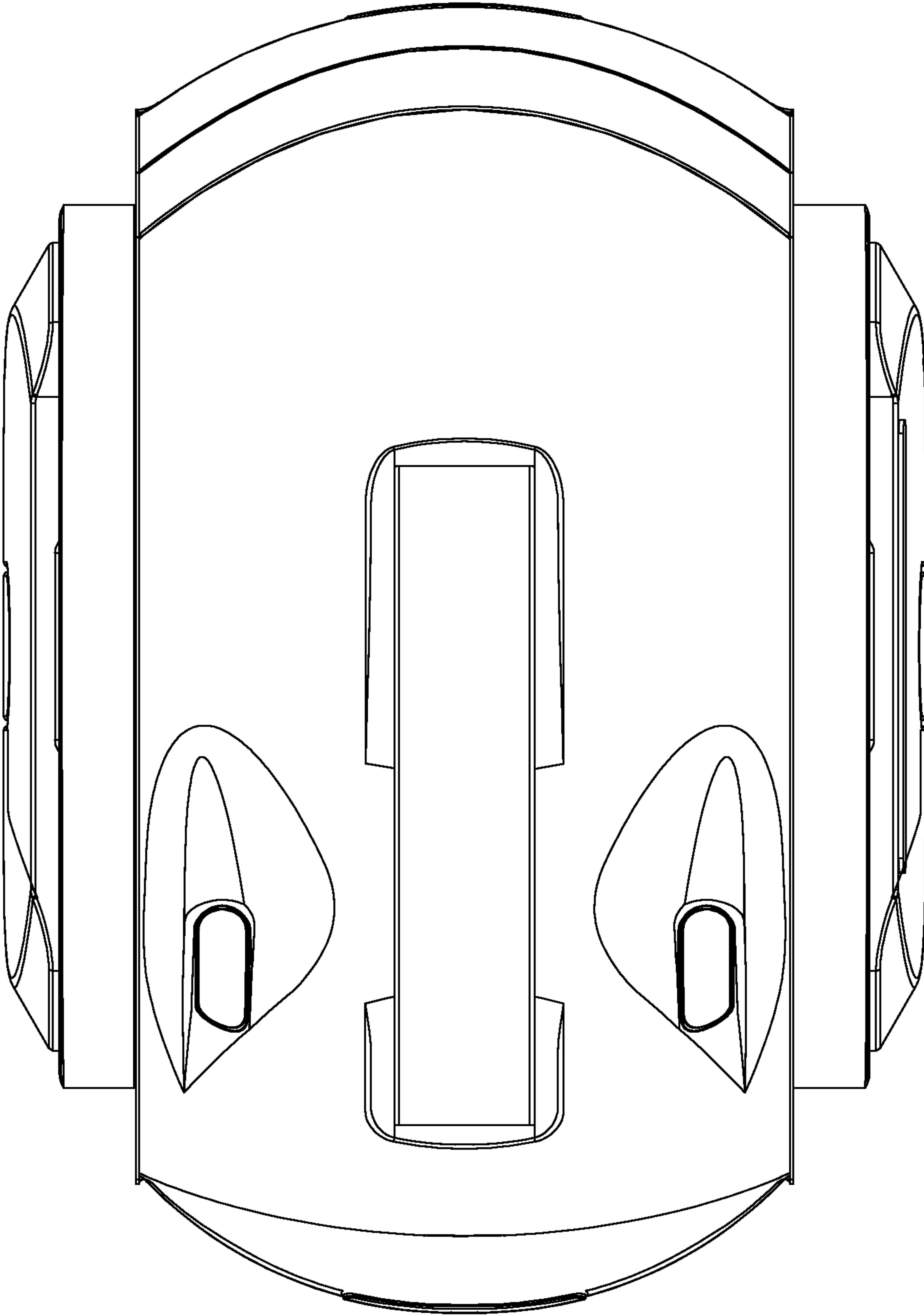


Fig. 5

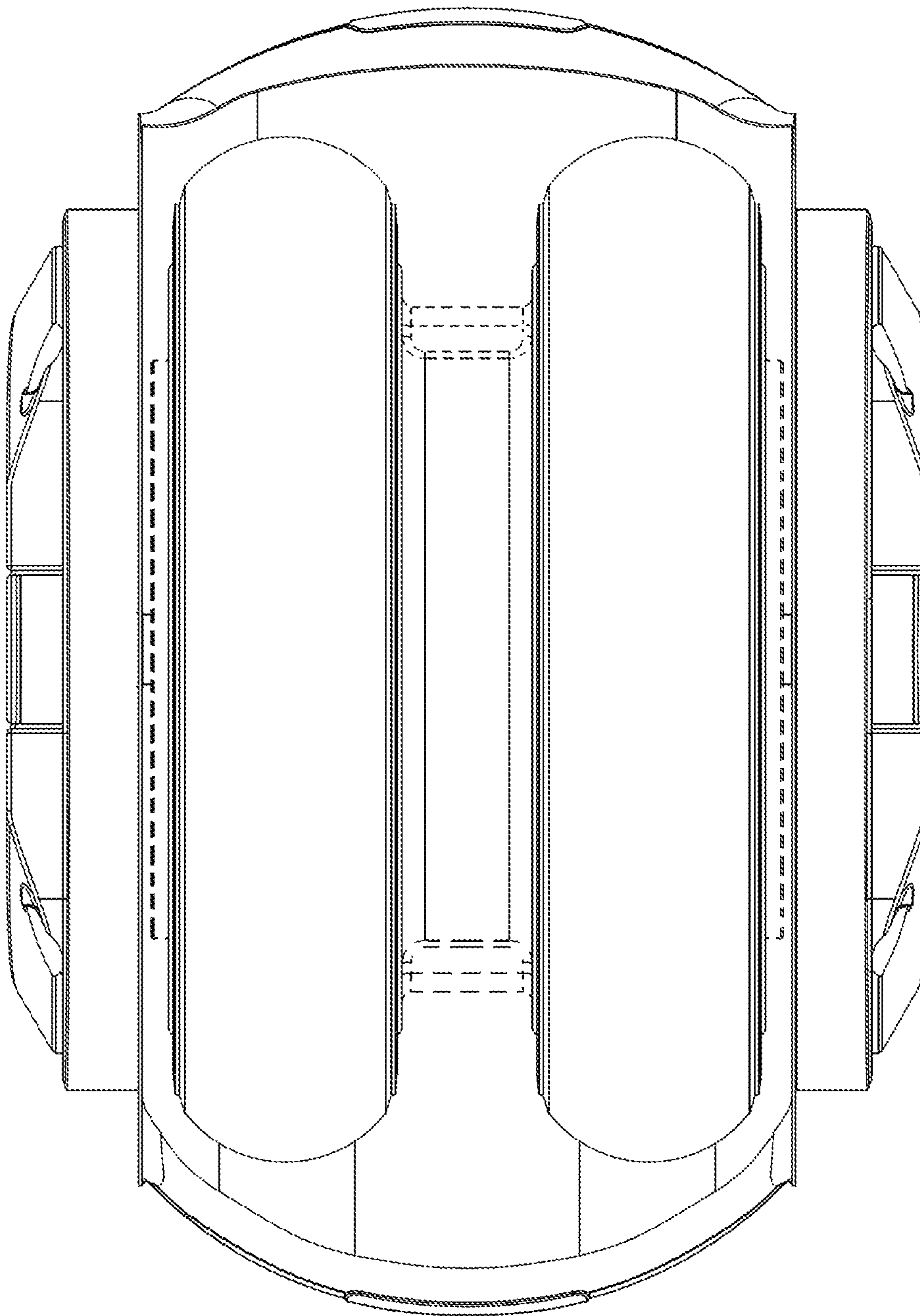


Fig. 6



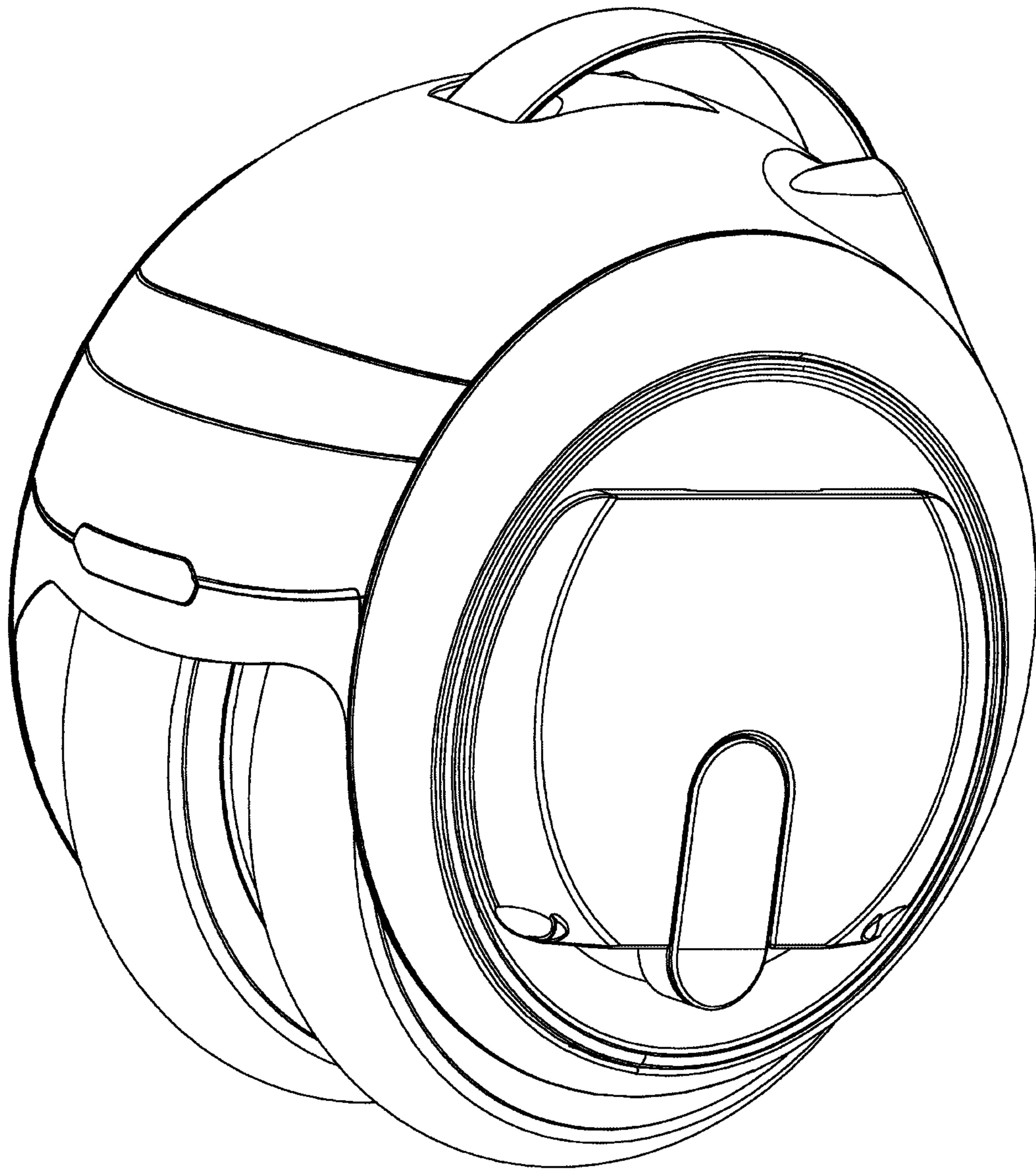


Fig. 7



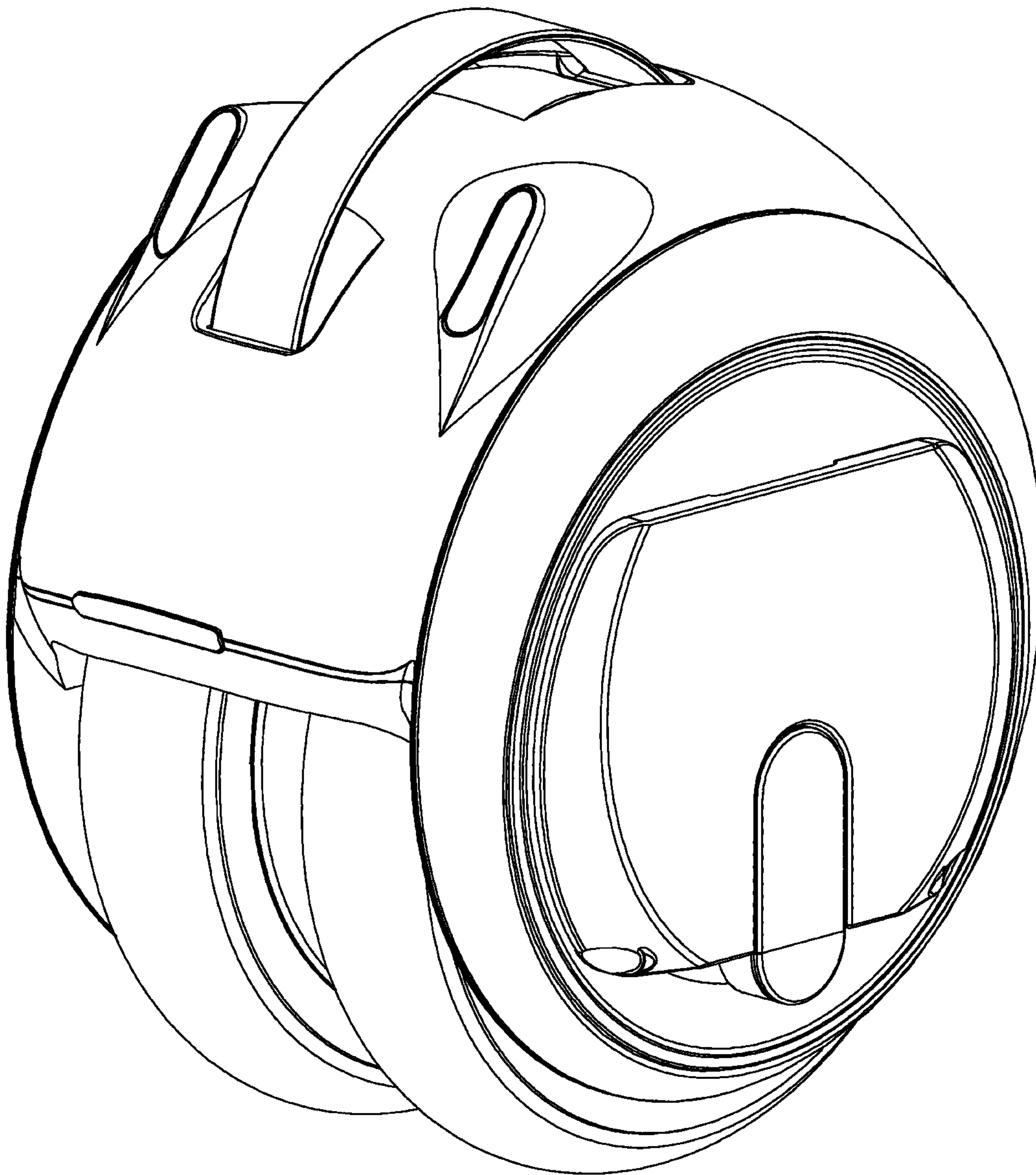


Fig. 8