



US00D879894S

(12) **United States Design Patent** (10) **Patent No.:** **US D879,894 S**  
**Chen** (45) **Date of Patent:** **\*\* Mar. 31, 2020**

(54) **SUNSHADE**  
(71) Applicant: **Samuel Chen**, Causeway Bay (CN)  
(72) Inventor: **Samuel Chen**, Causeway Bay (CN)  
(\*\*) Term: **15 Years**  
(21) Appl. No.: **29/661,378**  
(22) Filed: **Aug. 27, 2018**  
(51) **LOC (12) Cl.** ..... **21-03**  
(52) **U.S. Cl.**  
USPC ..... **D21/722; D6/347**  
(58) **Field of Classification Search**  
USPC ..... D15/811, 814, 822-825; D6/344, 347  
CPC .. E04H 15/00; E04H 15/04; A63G 9/00-9/22;  
A45B 11/00; A45B 17/00; A45B 23/00;  
A47C 3/0255; A47C 7/66  
See application file for complete search history.

5,033,528 A 7/1991 Volcani  
5,096,257 A 3/1992 Clark  
5,135,281 A 4/1992 Pappalardo  
5,320,405 A 6/1994 Foster  
5,397,268 A 3/1995 Chang  
5,441,067 A 8/1995 James  
5,967,601 A 10/1999 Gillins  
6,293,292 B1 9/2001 Watzke  
6,405,742 B1 \* 6/2002 Driscoll ..... A45B 11/00  
135/20.1  
6,789,557 B1 9/2004 Wahl, Jr.  
7,048,333 B2 \* 5/2006 Martinez ..... A47C 7/66  
135/126  
7,245,990 B2 7/2007 Watanabe et al.  
(Continued)

FOREIGN PATENT DOCUMENTS

CN 207041292 U 2/2018  
EP 1487304 12/2004  
(Continued)

Primary Examiner — Mitchell I. Siegel  
(74) Attorney, Agent, or Firm — Clement Cheng

(56) **References Cited**  
U.S. PATENT DOCUMENTS

1,057,360 A \* 3/1913 Patten ..... A47D 13/105  
297/274  
2,291,721 A \* 8/1942 Hutaff, Jr. .... A63G 9/00  
472/125  
3,130,969 A \* 4/1964 Groth ..... A63G 9/02  
472/125  
3,738,703 A 6/1973 Kunimatu  
3,937,463 A \* 2/1976 Soisson ..... A63G 9/00  
472/118  
4,030,748 A 6/1977 Brock  
D260,110 S \* 8/1981 Gomes ..... D21/823  
4,639,036 A 1/1987 Nichols  
D298,187 S \* 10/1988 Lacewell ..... D21/823  
4,809,724 A 4/1989 Fuser  
4,865,381 A 12/1989 Van Rogue  
4,898,198 A \* 2/1990 Castlebury ..... A63G 9/00  
135/117  
5,000,210 A 3/1991 Worthington, Jr.

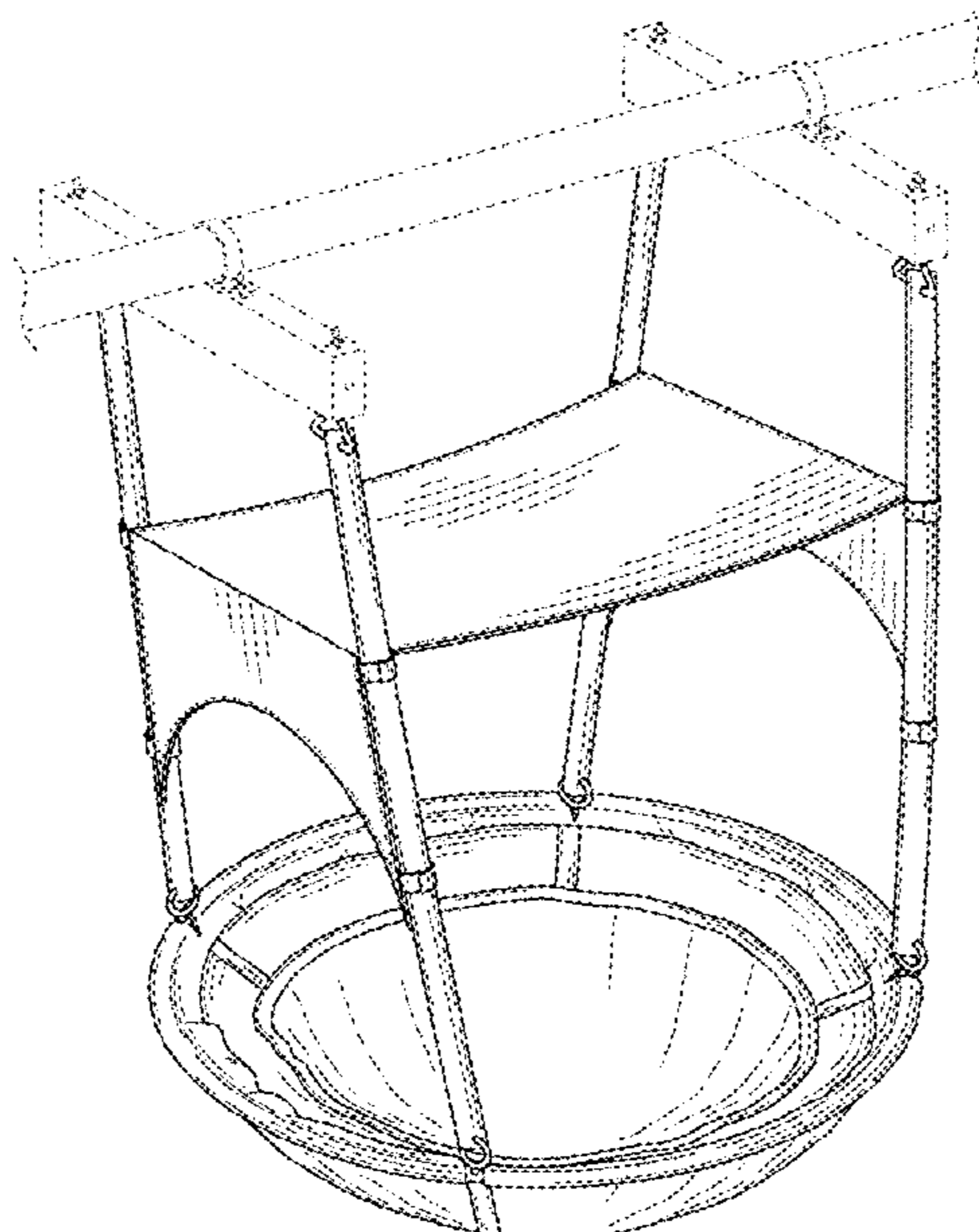
(57) **CLAIM**

The ornamental design for a sunshade, as shown and described.

**DESCRIPTION**

FIG. 1 is a perspective view.  
FIG. 2 is a front view.  
FIG. 3 is a rear view.  
FIG. 4 is a right view.  
FIG. 5 is a left view.  
FIG. 6 is a top view; and,  
FIG. 7 is a bottom view.  
The broken lines shown are included for the purpose of illustrating unclaimed subject matter and forms no part of the claimed design.

**1 Claim, 7 Drawing Sheets**



(56)

**References Cited**

U.S. PATENT DOCUMENTS

8,454,450	B1 *	6/2013	Cordray .....	A63G 9/00 472/118
8,753,216	B2	6/2014	Hsieh	
9,067,146	B1 *	6/2015	Cordray .....	A63G 9/12
9,345,975	B2 *	5/2016	Xu .....	A63G 9/14
9,440,154	B1 *	9/2016	Cordray .....	A63G 9/12
D781,061	S *	3/2017	Merritt .....	D6/347
10,478,736	B1 *	11/2019	McNeill .....	A47D 15/006
D871,786	S *	1/2020	Blackrock .....	D6/347
2006/0119144	A1 *	6/2006	Alexakis .....	A47D 13/105 297/184.1
2008/0018146	A1	1/2008	Wahl	
2011/0303256	A1	12/2011	Ashley	
2012/0178543	A1 *	7/2012	Monachello .....	A63G 9/12 472/118
2013/0005493	A1 *	1/2013	Kim .....	A47C 3/0255 472/118
2013/0095937	A1 *	4/2013	Hsieh .....	A63G 1/12 472/116
2013/0105096	A1 *	5/2013	Hsieh .....	A45B 23/00 160/379
2013/0225304	A1 *	8/2013	Hsieh .....	A63G 31/007 472/118

FOREIGN PATENT DOCUMENTS

JP	2018065449	A	4/2018
KR	20090108243	A	10/2009

\* cited by examiner

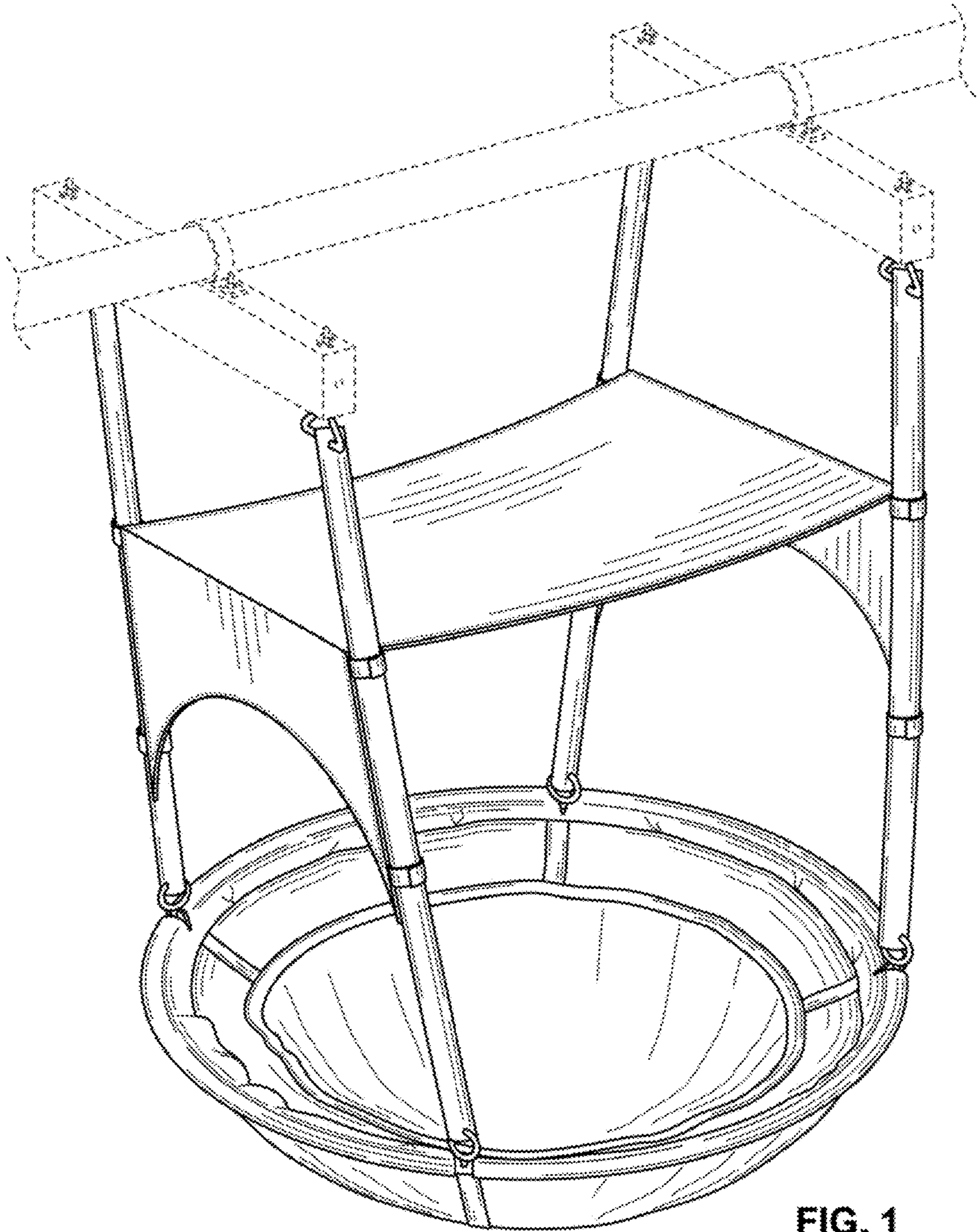


FIG. 1



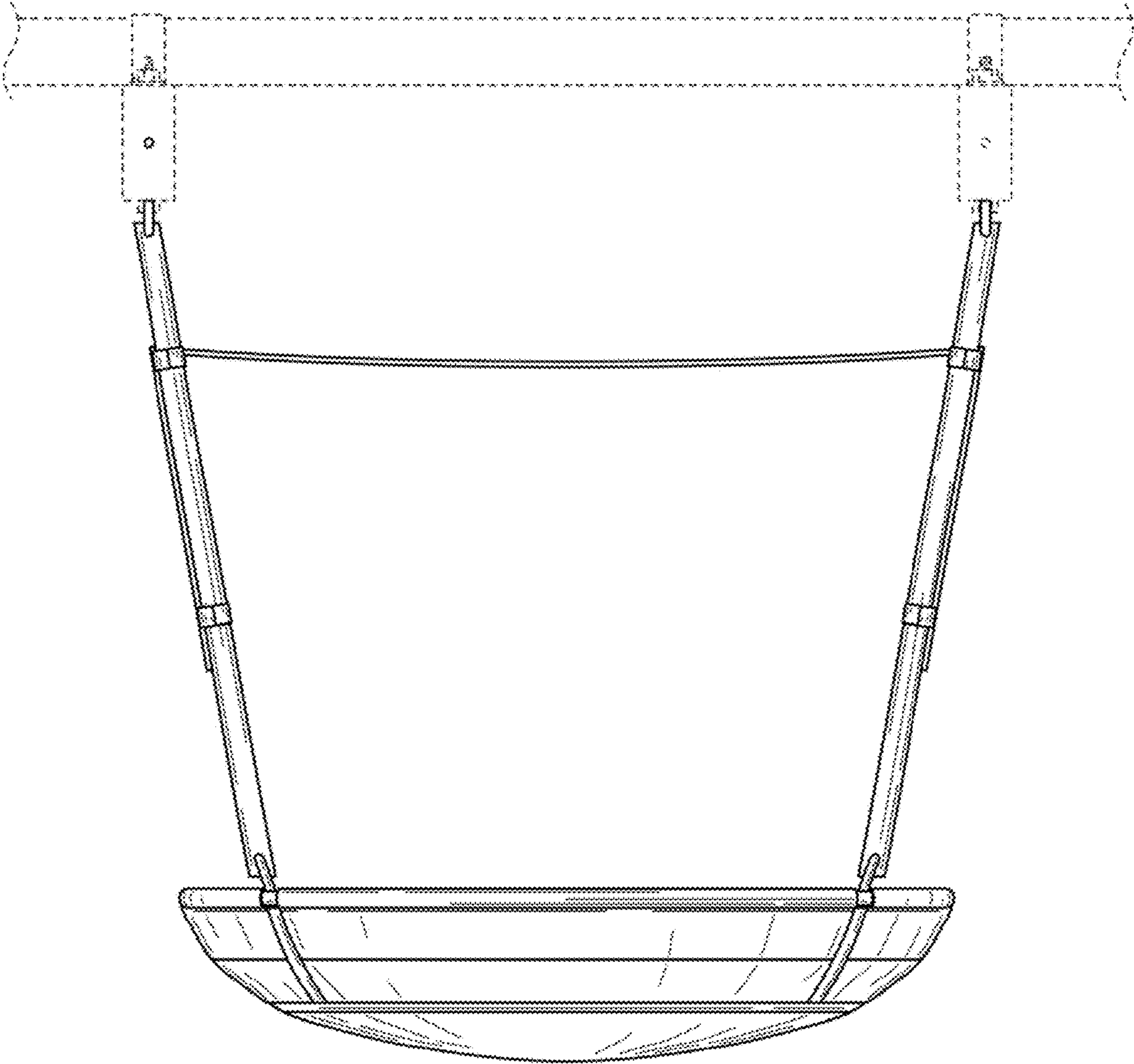


FIG. 2

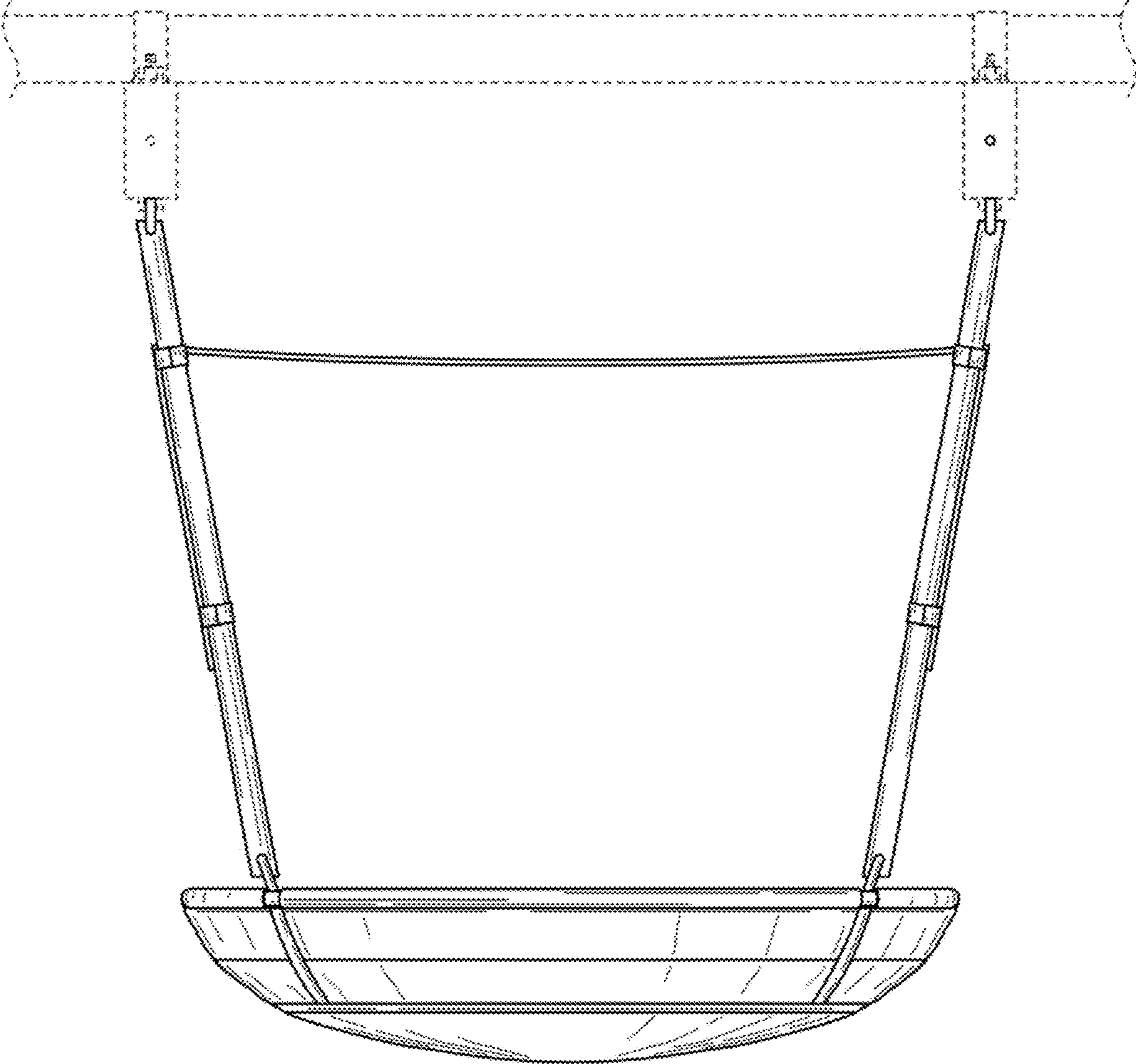


FIG. 3

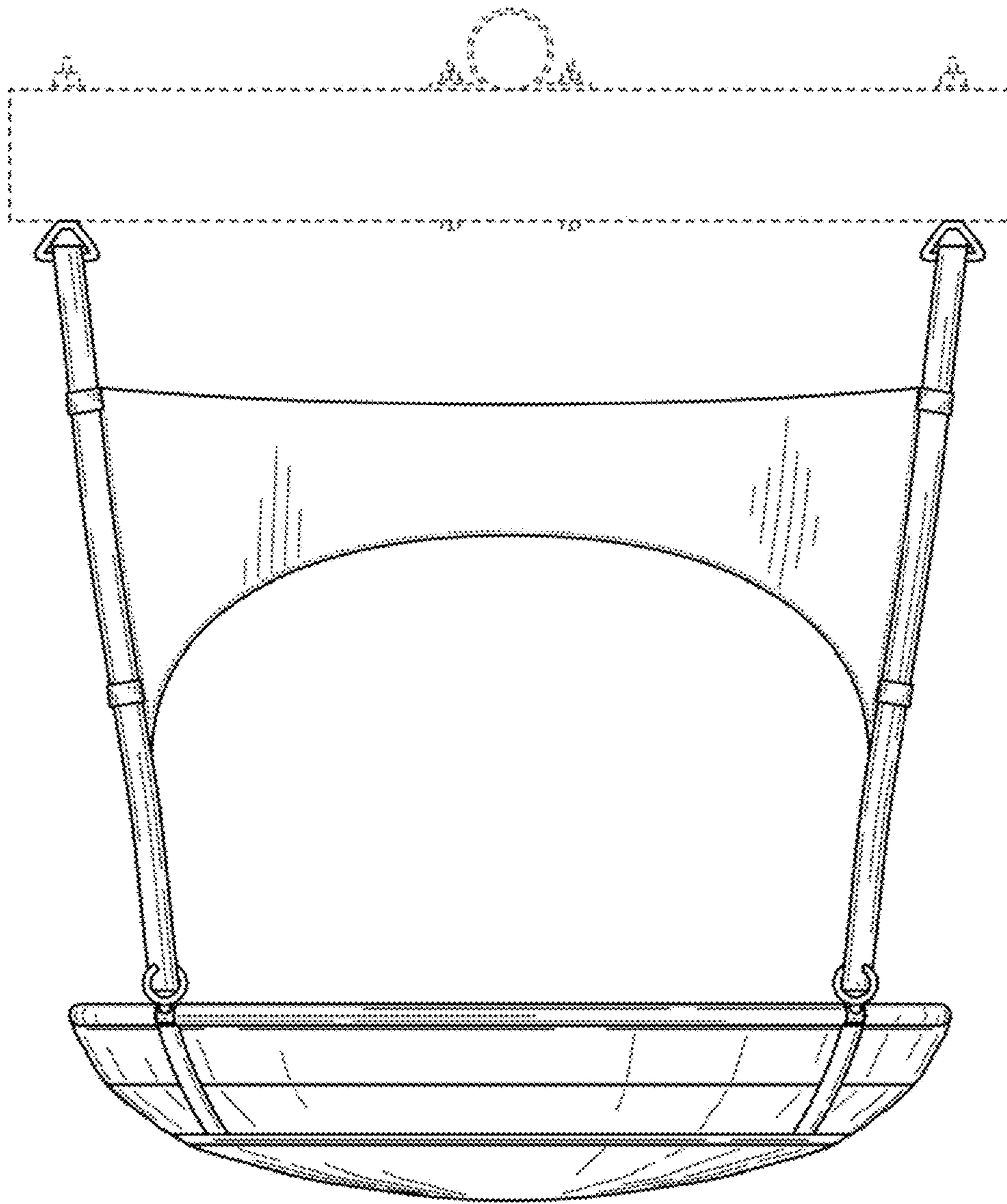


FIG. 4

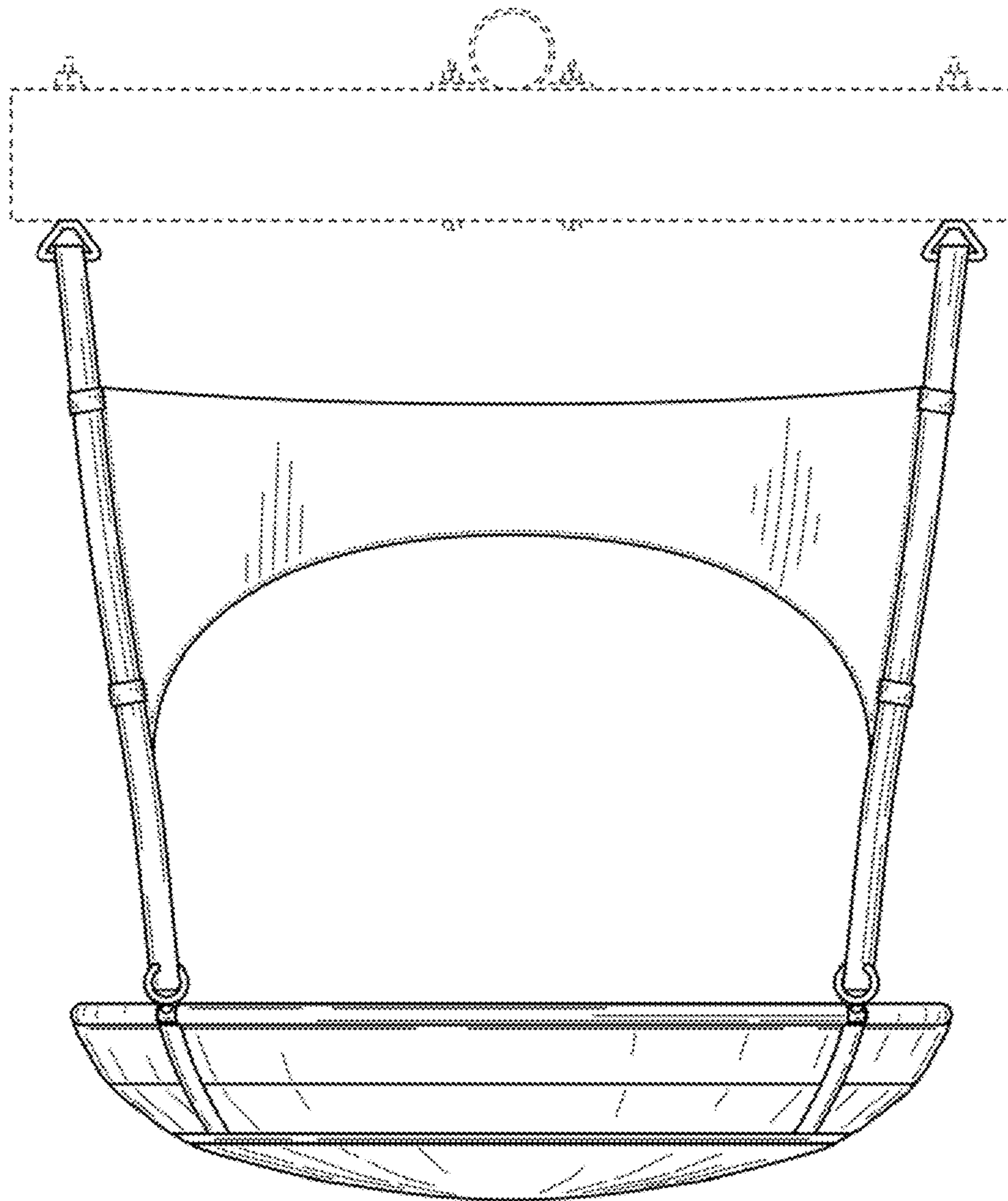


FIG. 5

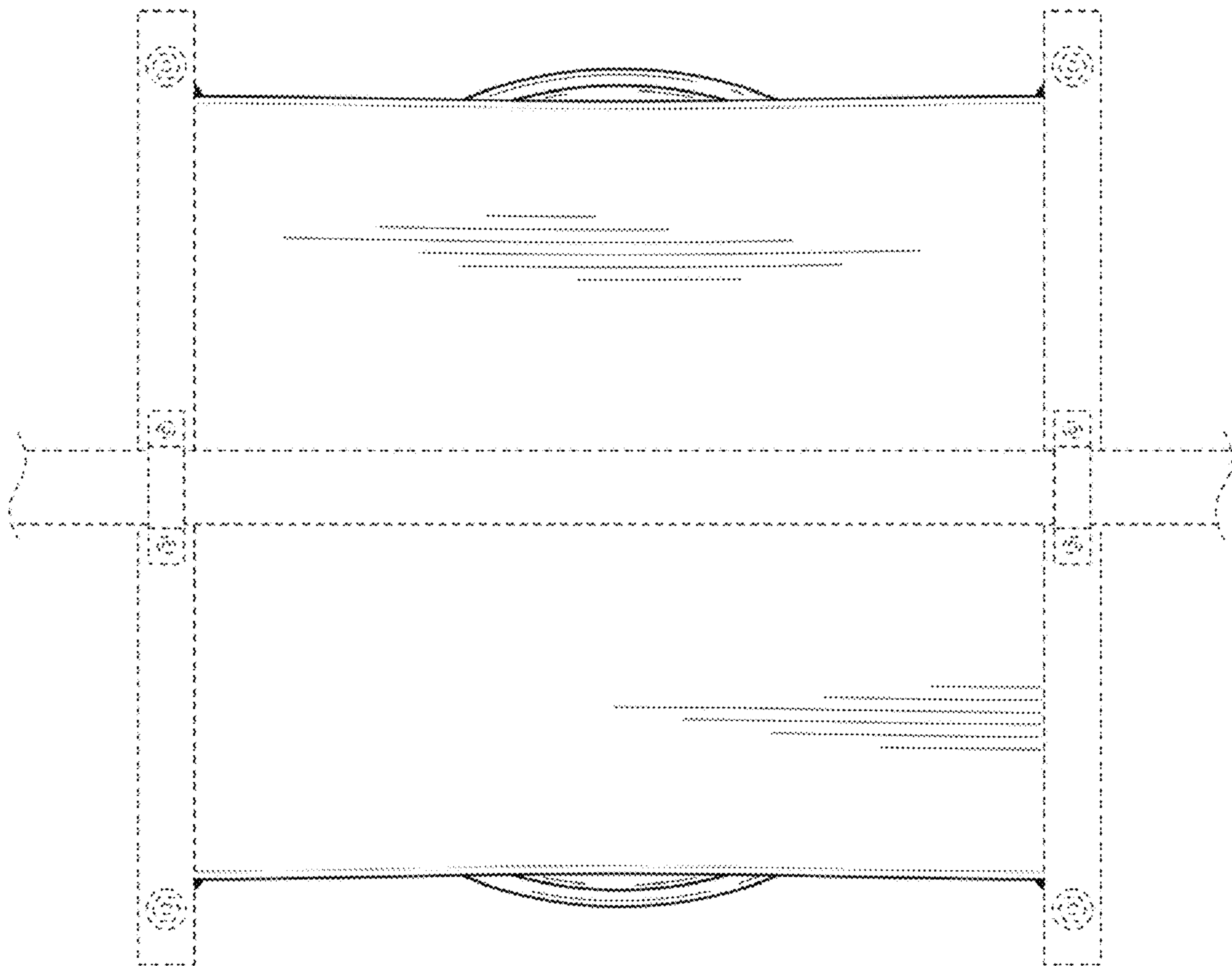


FIG. 6



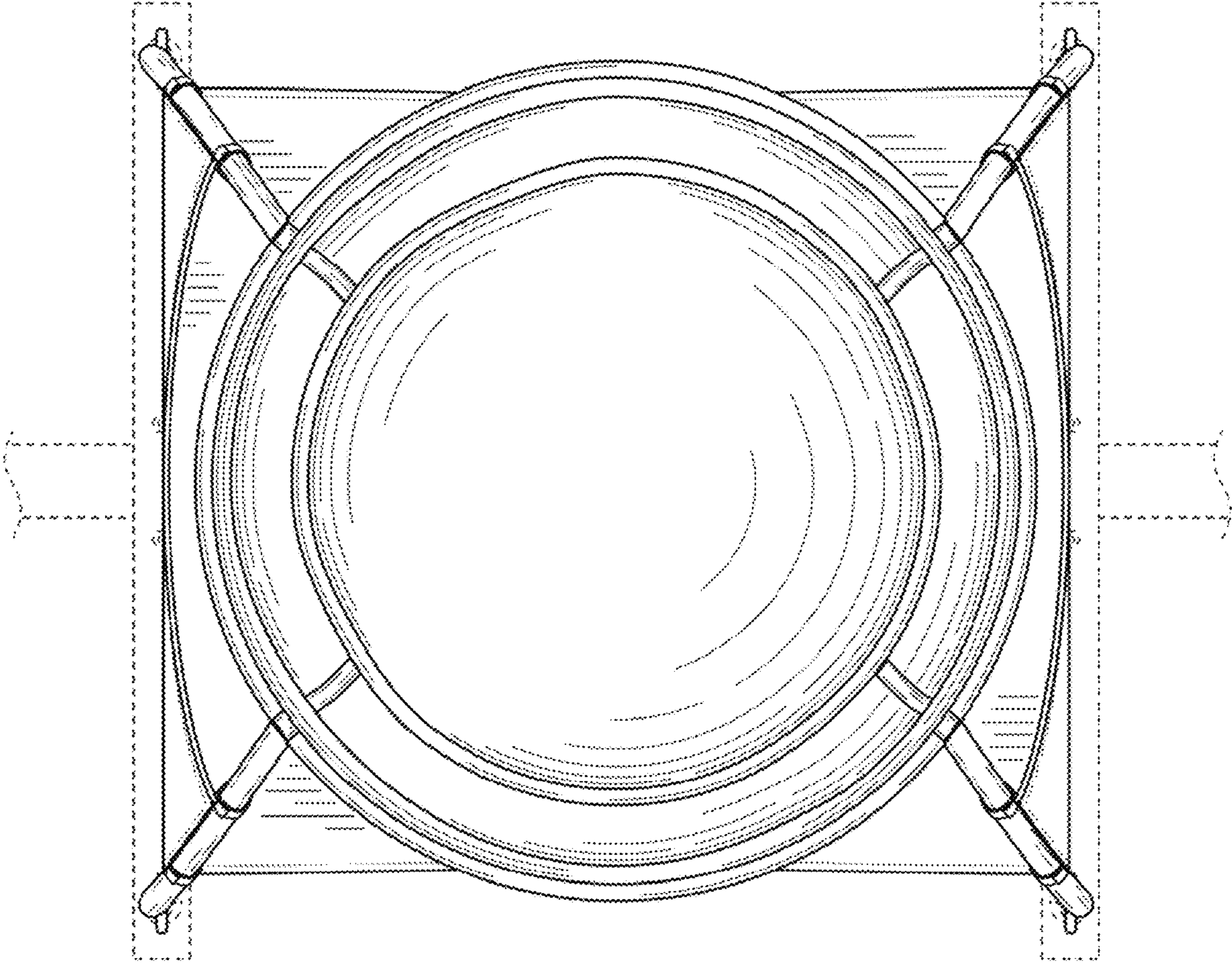


FIG. 7