



US00D879892S

(12) **United States Design Patent**
Elpers et al.

(10) **Patent No.:** **US D879,892 S**
(45) **Date of Patent:** **** Mar. 31, 2020**

(54) **BASKETBALL BACKBOARD SUPPORT ARM**

(71) Applicant: **Indian Industries, Inc.**, Evansville, IN (US)

(72) Inventors: **Philip Elpers**, Evansville, IN (US);
Robert W. Cornell, Evansville, IN (US)

(73) Assignee: **Indian Industries, Inc.**, Evansville, IN (US)

(**) Term: **15 Years**

(21) Appl. No.: **29/670,699**

(22) Filed: **Nov. 19, 2018**

(51) **LOC (12) Cl.** **21-02**

(52) **U.S. Cl.**
USPC **D21/701**

(58) **Field of Classification Search**
USPC D21/699–705, 781; D8/349, 354, 355,
D8/363, 373, 380; 473/479–489
CPC A63B 71/023; A63B 2225/093; A63B
63/00–083; A63B 2063/001; A63B
2063/002; A63B 2063/005; A63B
2063/006; A63B 2063/065; A63B
2063/086

See application file for complete search history.

(56) **References Cited**

U.S. PATENT DOCUMENTS

3,329,427	A *	7/1967	Bearson	A63B 63/083 473/483
3,602,504	A *	8/1971	Chapman	A63B 61/003 473/416
4,801,142	A *	1/1989	Friesen	A63B 63/083 473/484
5,211,393	A *	5/1993	Rolffs	A63B 63/083 248/284.1
D343,883	S *	2/1994	Hall	D21/702

5,390,914	A *	2/1995	Schroeder	A63B 63/083 248/158
6,179,733	B1	1/2001	Story		
6,302,811	B1 *	10/2001	Topham	A63B 63/083 248/280.11
6,699,146	B1 *	3/2004	Winter	A63B 63/083 248/280.11
D529,558	S *	10/2006	White	D21/702
7,393,293	B2	7/2008	Guerzini et al.		

(Continued)

FOREIGN PATENT DOCUMENTS

CA 2986724 A1 * 7/2018 A63B 63/083

Primary Examiner — Catherine A Tuttle

(74) *Attorney, Agent, or Firm* — Woodard, Emhardt,
Henry, Reeves & Wagner, LLP; Charles Meyer

(57) **CLAIM**

The ornamental design for a basketball backboard support arm, as shown and described.

DESCRIPTION

FIG. 1 is a perspective view showing our new design for a basketball backboard support arm in association with a basketball goal;

FIG. 2 is an enlarged scale perspective view showing the basketball backboard support arm separately from the basketball goal;

FIG. 3 is a lower end view thereof.

FIG. 4 is an upper end view thereof.

FIG. 5 is a right side view thereof from perspective of FIG. 1.

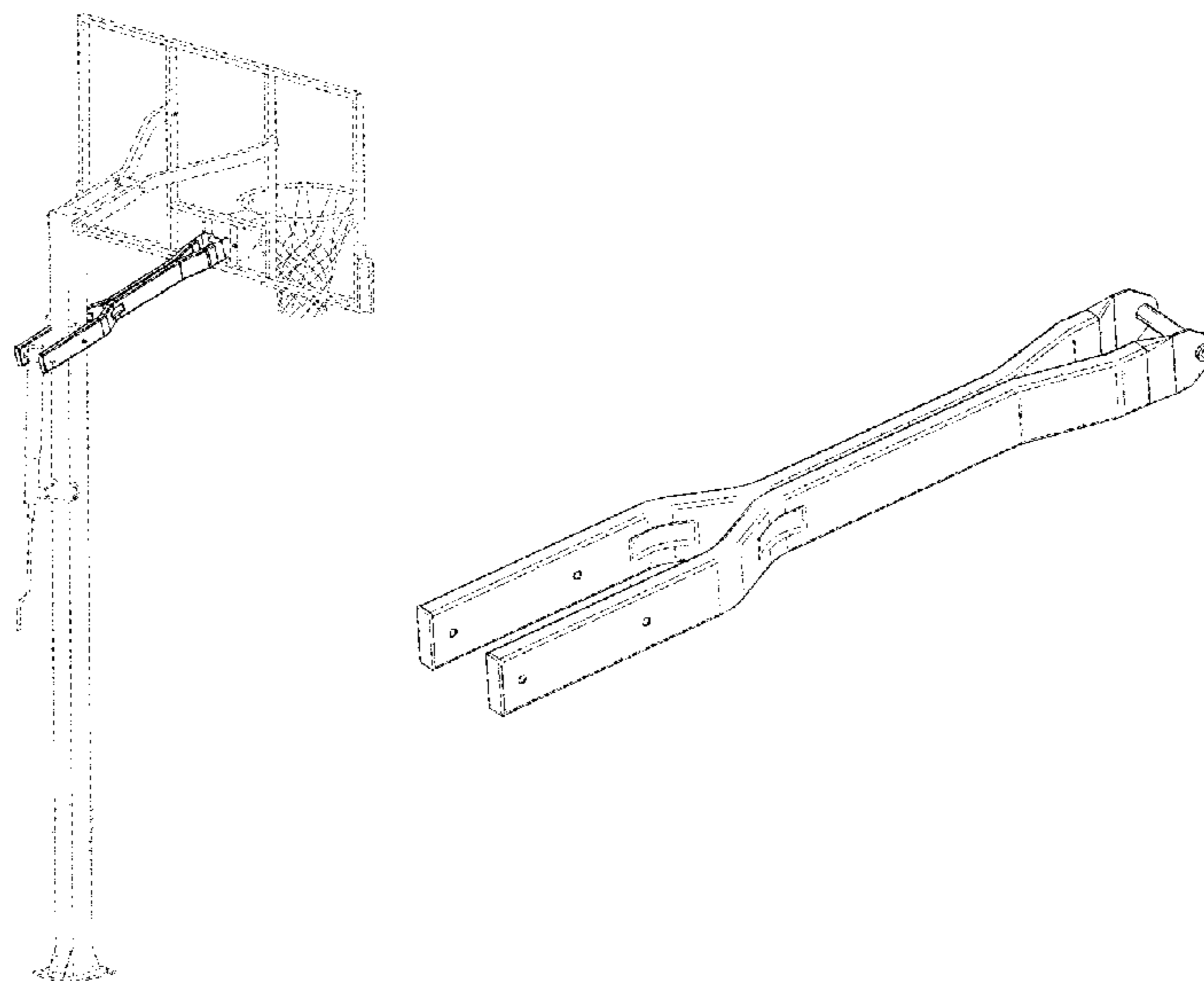
FIG. 6 is a left side view thereof from perspective of FIG. 1.

FIG. 7 is a top view thereof; and,

FIG. 8 is a bottom view thereof.

The broken lines showing the basketball goal are for illustrative purposes only, and form no part of the claimed design.

1 Claim, 4 Drawing Sheets



(56)

References Cited

U.S. PATENT DOCUMENTS

8,523,715	B2	9/2013	Elpers	
8,708,844	B2	4/2014	Nye et al.	
D745,098	S *	12/2015	Connerley D21/701
10,052,540	B2	8/2018	Elpers et al.	
2001/0024984	A1 *	9/2001	Stanford A63B 63/083 473/484
2002/0094890	A1 *	7/2002	White A63B 63/083 473/483
2005/0215357	A1 *	9/2005	Guerzini A63B 63/083 473/481
2006/0009316	A1 *	1/2006	Tien A63B 63/083 473/481
2007/0010356	A1 *	1/2007	Moller, Jr. A63B 63/083 473/483
2007/0225092	A1 *	9/2007	Watson A63B 63/083 473/481
2015/0165301	A1 *	6/2015	Maisey A63B 71/023 473/481
2018/0333625	A1 *	11/2018	Elpers A63B 63/083

* cited by examiner

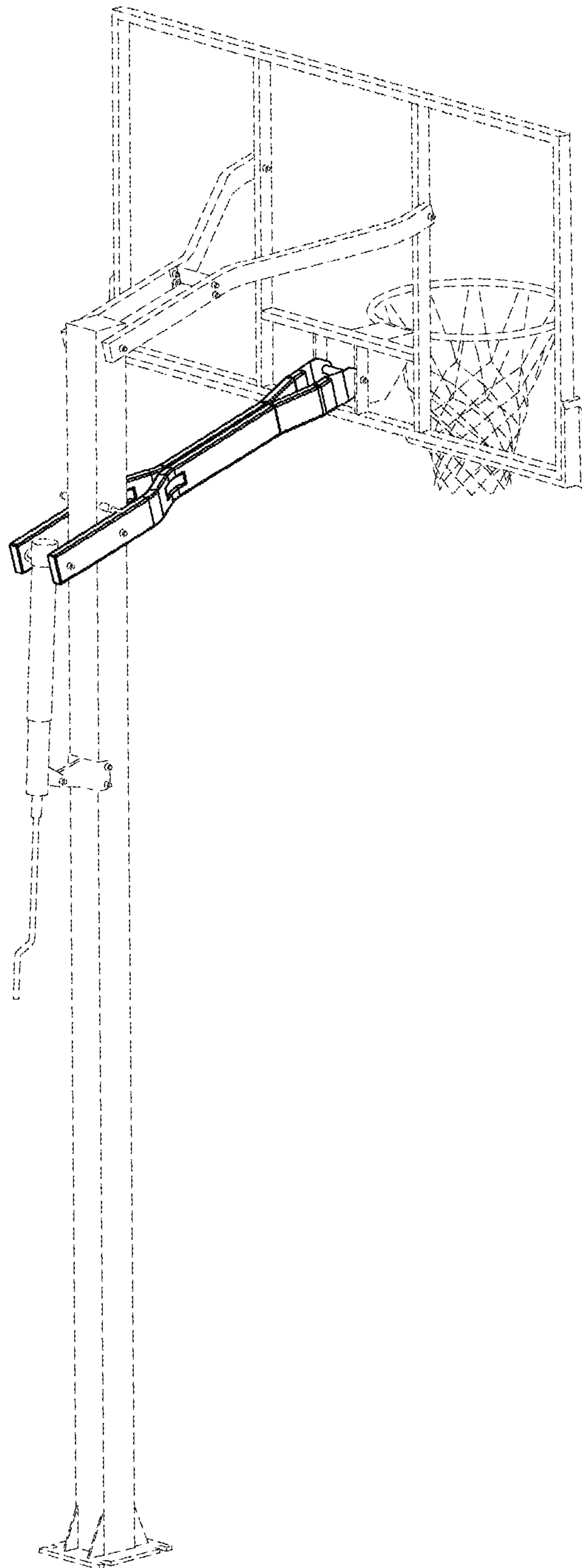


Fig. 1

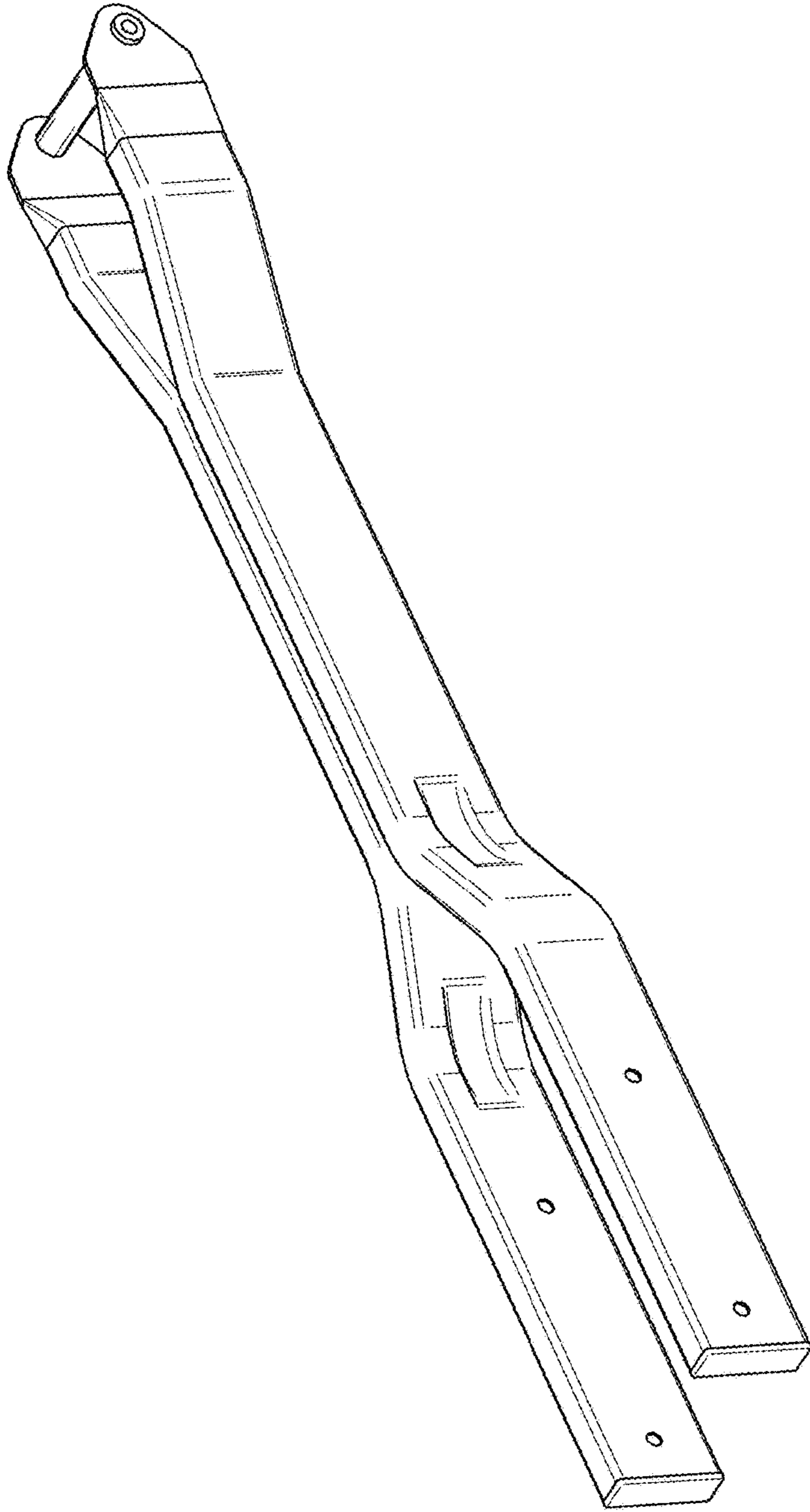


Fig. 2

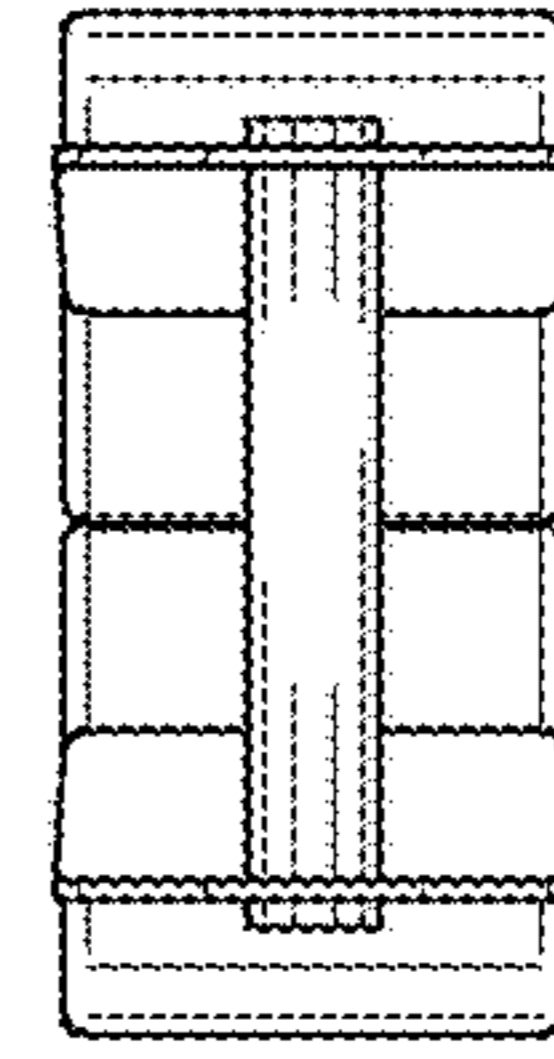


Fig. 4

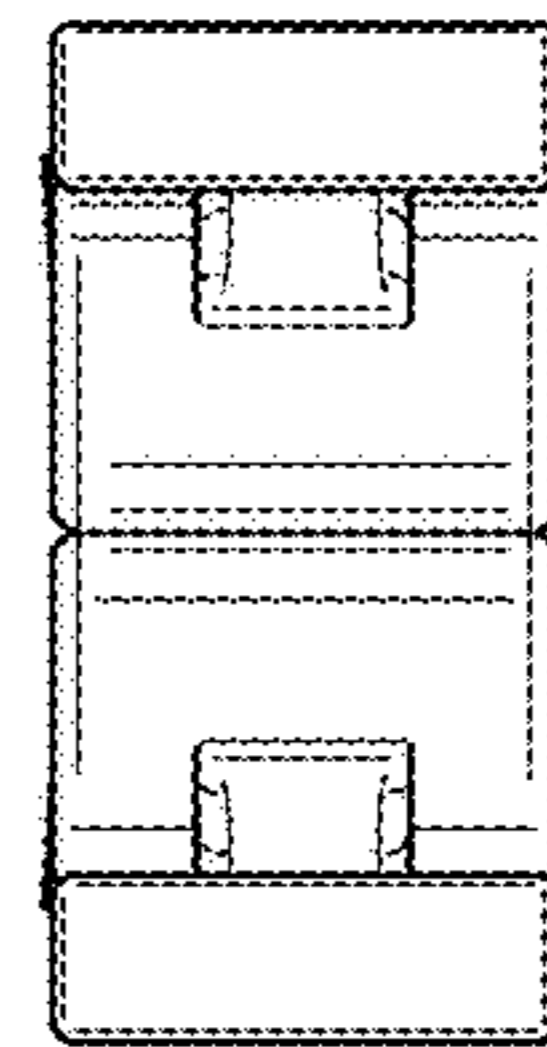


Fig. 3

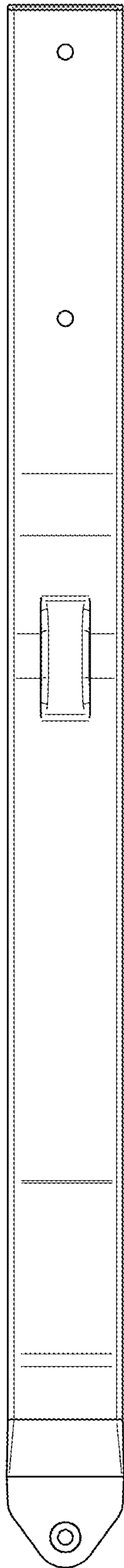


Fig. 5

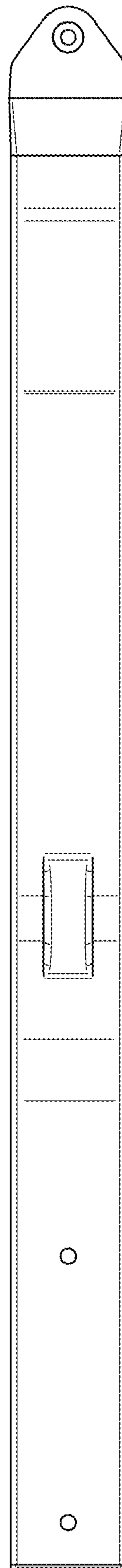


Fig. 6

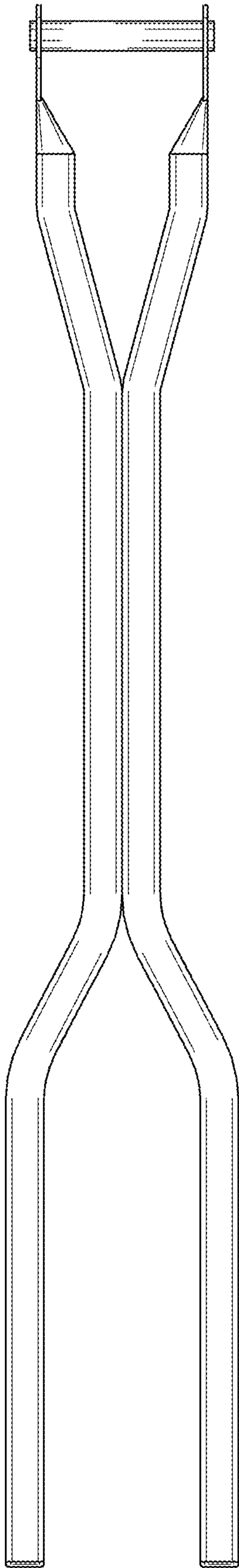


Fig. 7

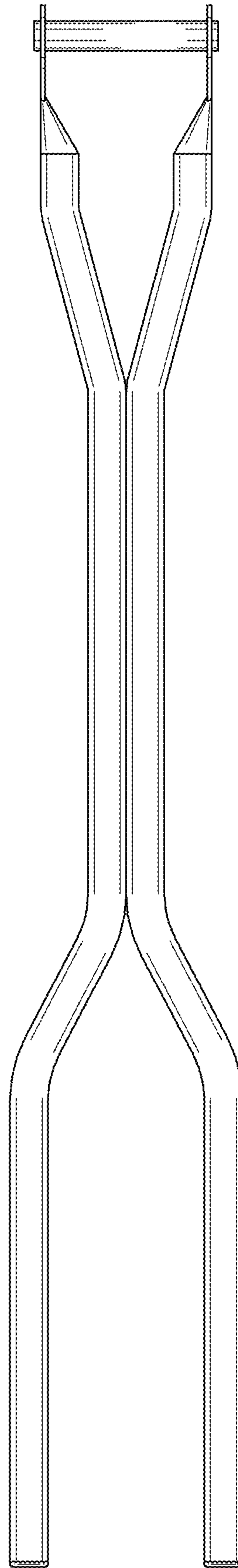


Fig. 8