



US00D879891S

(12) **United States Design Patent**  
**Sundblad**

(10) **Patent No.:** **US D879,891 S**  
(45) **Date of Patent:** **\*\* Mar. 31, 2020**

- (54) **THREADED KETTLEBELL HANDLE**
- (71) Applicant: **Andrew Sundblad**, Oakland, CA (US)
- (72) Inventor: **Andrew Sundblad**, Oakland, CA (US)
- (\*\*) Term: **15 Years**
- (21) Appl. No.: **29/711,257**
- (22) Filed: **Oct. 29, 2019**

- D647,185 S 10/2011 Gilbert
- D651,672 S 1/2012 Towley
- D652,877 S 1/2012 Dalebout
- D653,715 S 2/2012 Tumminia
- D654,971 S 2/2012 Januszek
- D664,613 S 7/2012 Dalebout
- D683,803 S 6/2013 Childs
- D685,866 S 7/2013 Kinsbourne
- D692,509 S 10/2013 Kessler
- 8,784,280 B2 7/2014 Krull
- D715,177 S 10/2014 Vaughan

(Continued)

**Related U.S. Application Data**

- (63) Continuation of application No. 29/703,148, filed on Aug. 23, 2019.
- (51) **LOC (12) Cl.** ..... **21-02**
- (52) **U.S. Cl.**  
USPC ..... **D21/694**
- (58) **Field of Classification Search**  
USPC ..... D21/694  
CPC . A63B 21/0726; A63B 21/072; A63B 21/075;  
A63B 21/0728  
See application file for complete search history.

**OTHER PUBLICATIONS**

Amazon.com—Treadlife Fitness Threaded Kettlebell Handle (Year: 2016).\*

(Continued)

*Primary Examiner* — George D. Kirschbaum  
(74) *Attorney, Agent, or Firm* — Quickpatents, LLC; Kevin Prince

(57) **CLAIM**

The ornamental design for a threaded kettlebell handle, as shown and described.

(56) **References Cited**

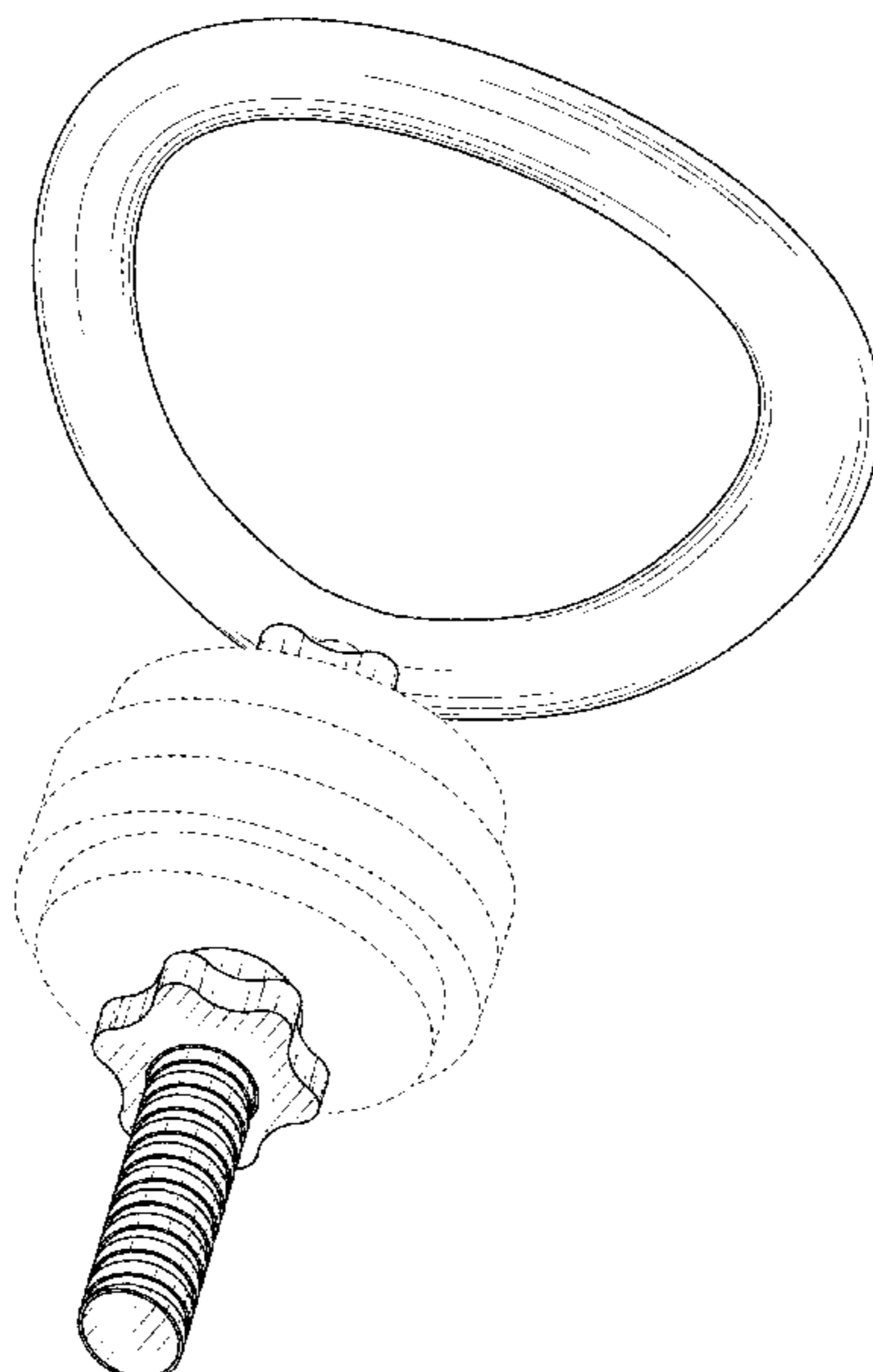
**U.S. PATENT DOCUMENTS**

- 1,316,683 A 9/1919 Calvert
- D212,104 S 8/1968 McDonald
- D268,437 S 3/1983 Giordano
- D481,771 S 11/2003 Anderson
- D502,747 S 3/2005 Anderson
- D505,459 S 5/2005 Lagattuta
- D522,594 S 6/2006 Donahue
- D522,595 S 6/2006 Donahue
- D571,418 S 6/2008 Gormley
- 7,563,208 B1 \* 7/2009 Chen ..... A63B 21/0728  
482/108
- D616,949 S 6/2010 Wang
- 7,731,640 B1 \* 6/2010 Chen ..... A63B 21/075  
482/108
- D644,701 S 9/2011 Towley

**DESCRIPTION**

FIG. 1 is a perspective view of a threaded kettlebell handle, showing my new design;  
FIG. 2 is a perspective view thereof;  
FIG. 3 is a front elevational view thereof;  
FIG. 4 is a rear elevational view thereof;  
FIG. 5 is a left-side elevational view thereof;  
FIG. 6 is a right-side elevational view thereof;  
FIG. 7 is a top plan view thereof; and,  
FIG. 8 is a bottom plan view thereof.  
The broken lines showing weights in FIG. 1 depict environmental matter and form no part of the claimed design.

**1 Claim, 6 Drawing Sheets**



(56)

**References Cited**

U.S. PATENT DOCUMENTS

8,858,406	B2	10/2014	Klukas	
D726,842	S	4/2015	Ross	
D726,843	S	4/2015	Barton	
D728,040	S	4/2015	Peterson	
D730,459	S	5/2015	Tumminia	
D752,159	S	3/2016	Anderson	
D796,592	S	9/2017	Towley	
9,795,823	B2	10/2017	Wyncott	
D804,592	S	12/2017	Wittmack	
D811,019	S	2/2018	Alton	
D818,546	S	5/2018	Martin	
D827,735	S	9/2018	Ross	
D827,736	S	9/2018	Meyer	
D832,942	S	11/2018	Arceta	
D843,508	S	3/2019	Pawlas	
D843,511	S	3/2019	Harrison	
D844,718	S	4/2019	Buikema	
2007/0135274	A1*	6/2007	Blateri .....	A63B 21/075 482/109
2008/0081744	A1*	4/2008	Gormley .....	A63B 21/072 482/93
2010/0190619	A1*	7/2010	Chen .....	A63B 21/072 482/108
2015/0105224	A1*	4/2015	Odneal .....	A63B 21/0726 482/107

OTHER PUBLICATIONS

Amazon.com—NewMe Fitness Adjustable Kettlebell Handle (Year: 2020).\*

\* cited by examiner

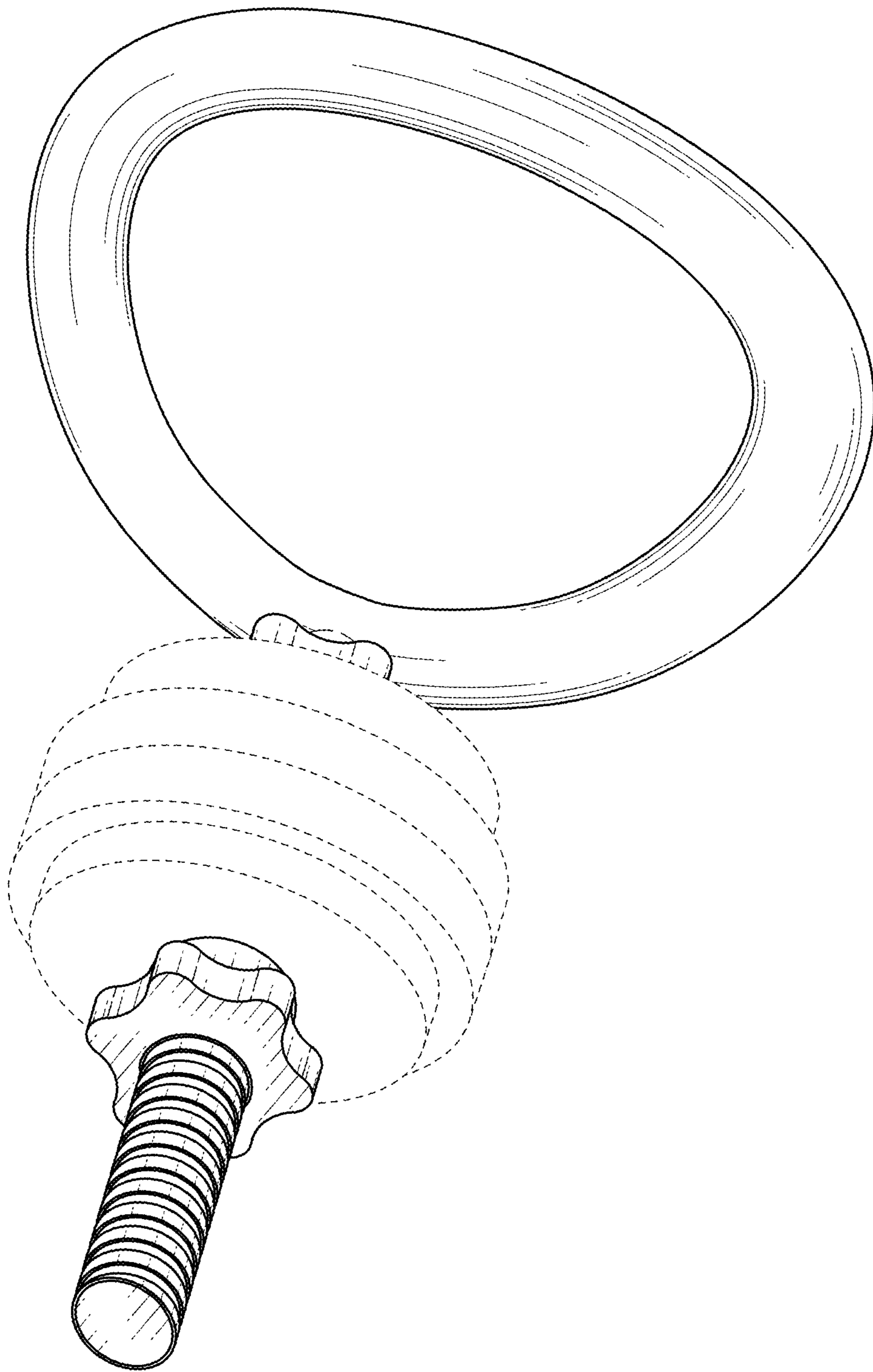


FIG. 1

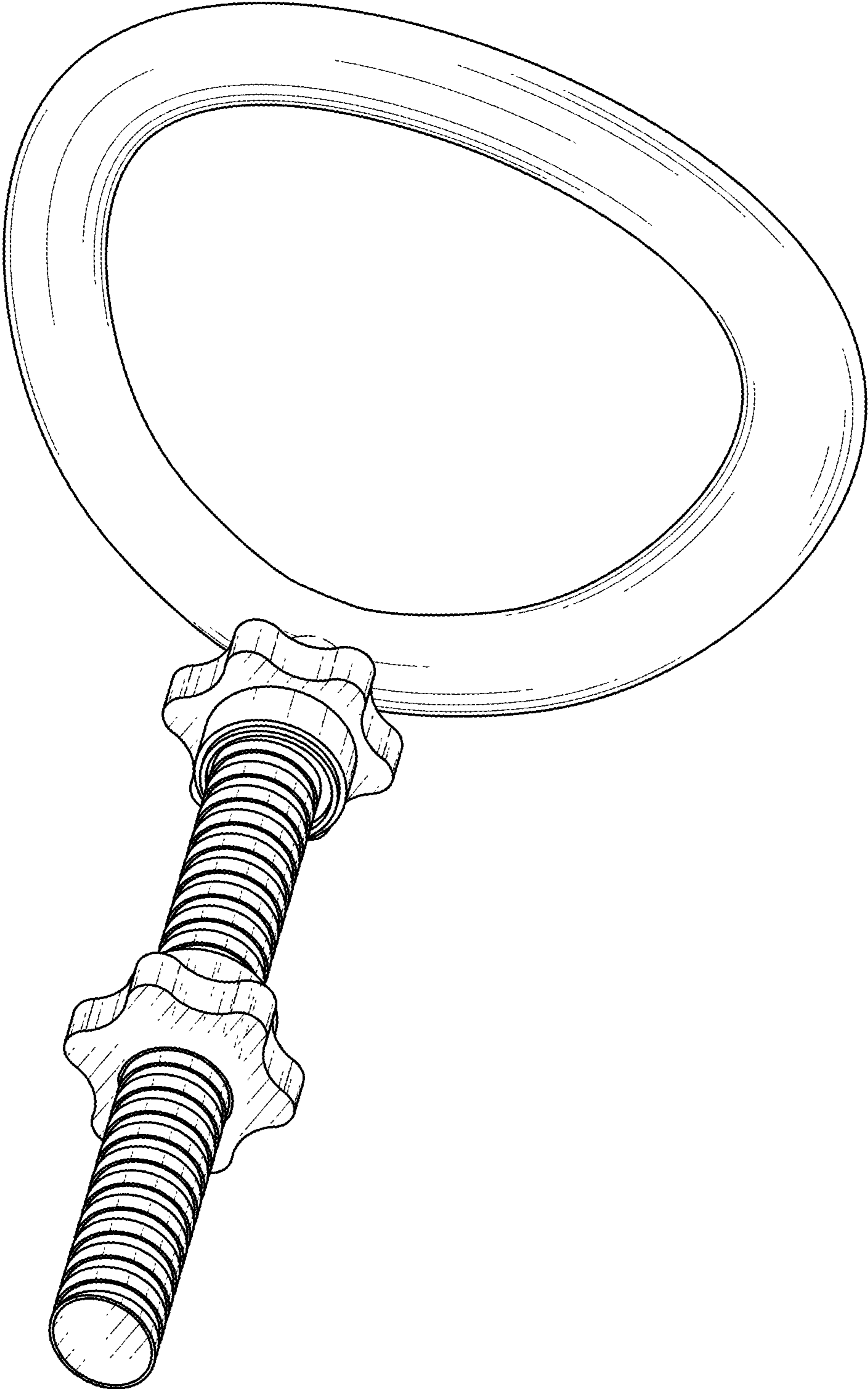


FIG. 2



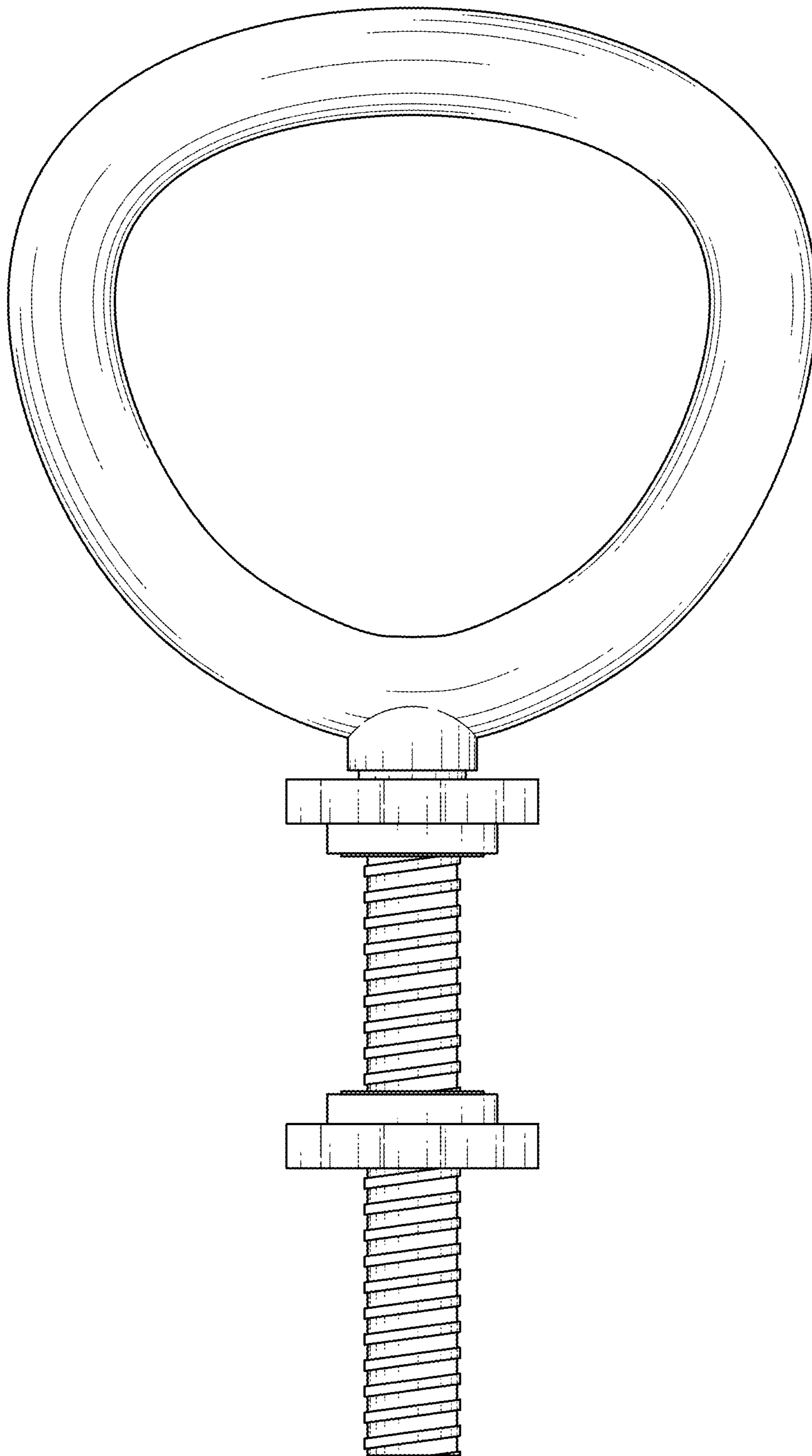


FIG. 3

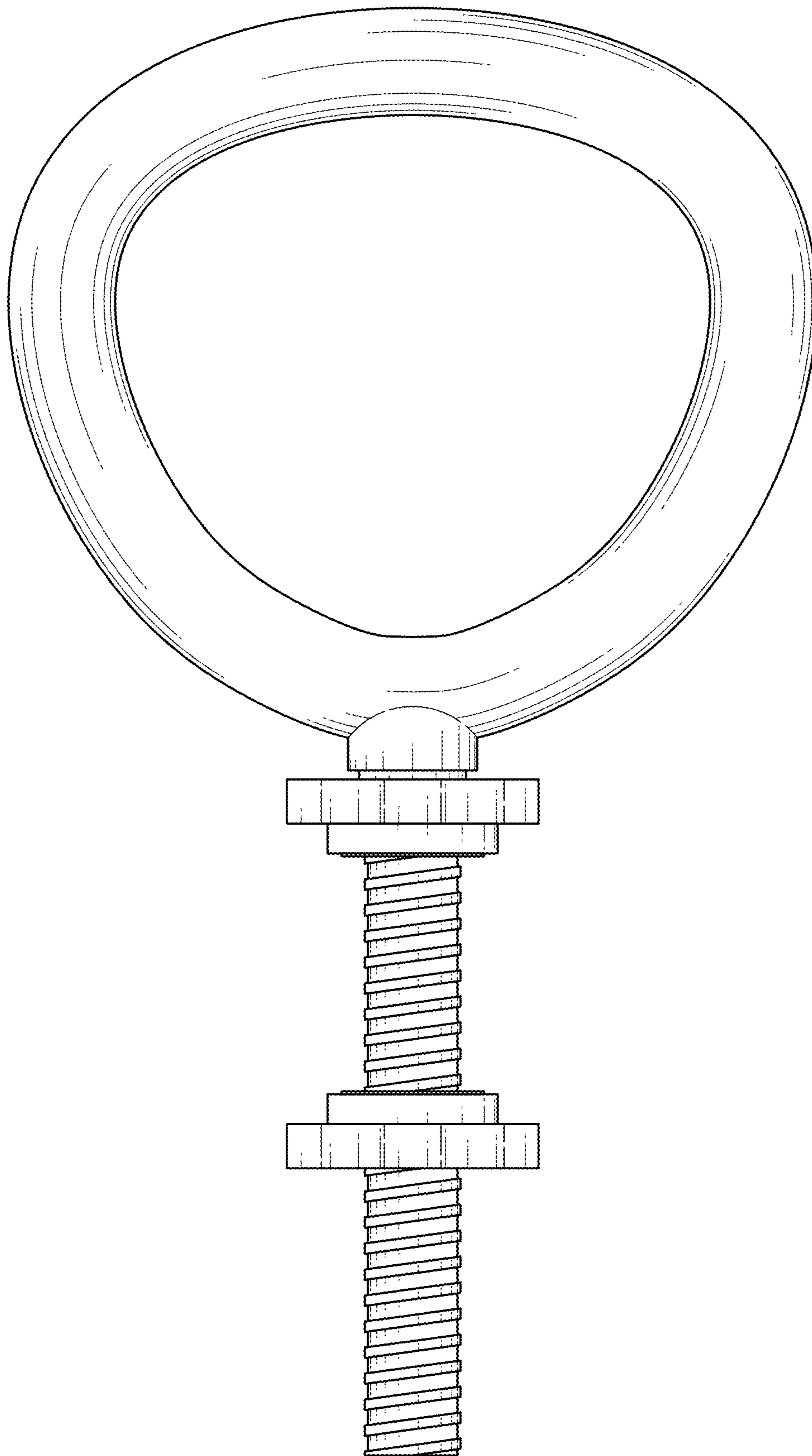


FIG. 4

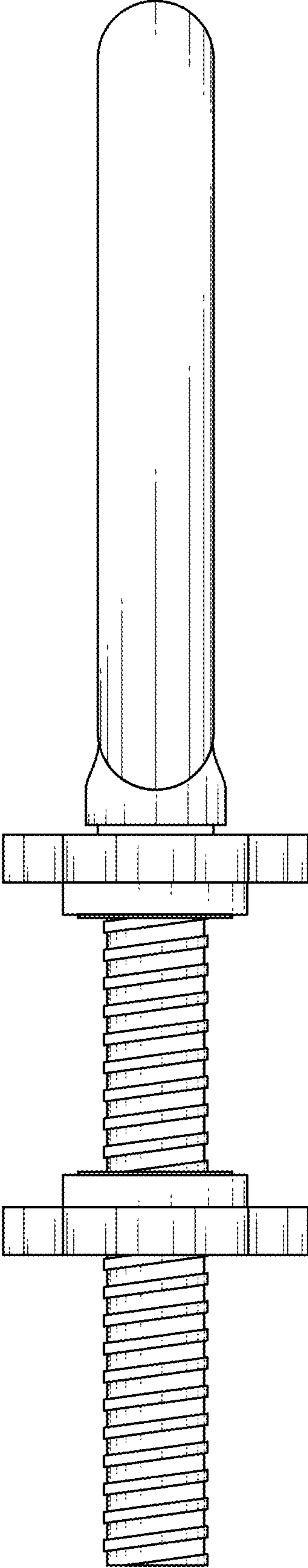


FIG. 5

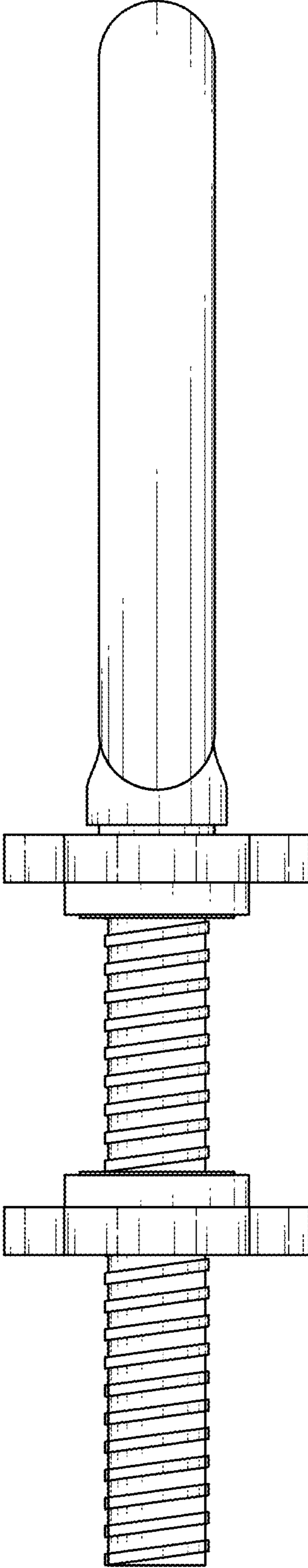


FIG. 6

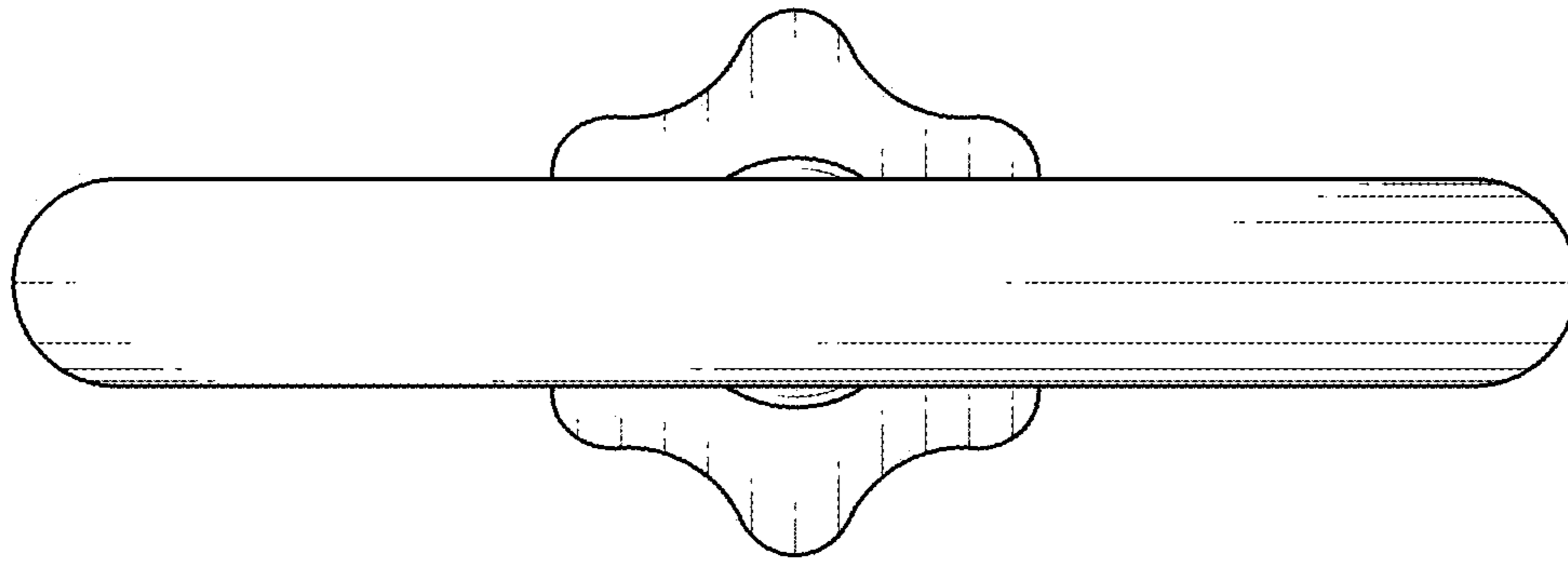


FIG. 7

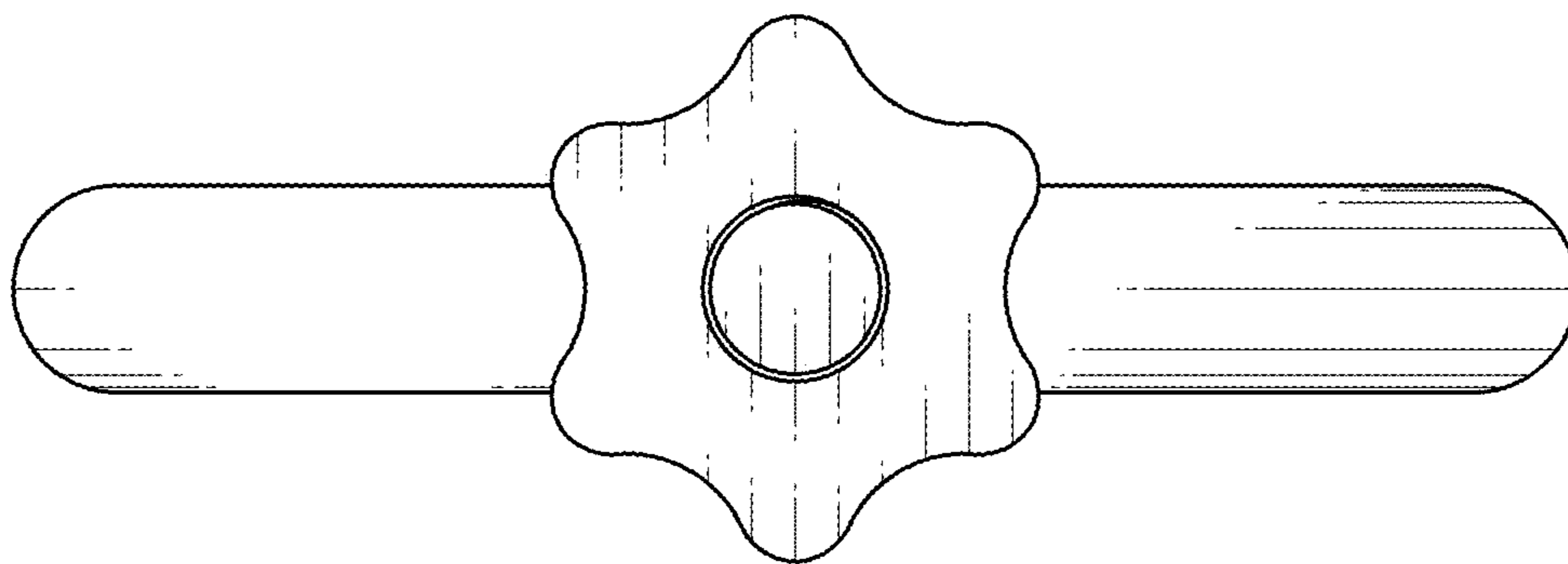


FIG. 8