



US00D879890S

(12) **United States Design Patent**  
**Jones**

(10) **Patent No.:** **US D879,890 S**

(45) **Date of Patent:** **\*\* Mar. 31, 2020**

- (54) **CALF-RAISE EXERCISE MACHINE**
- (71) Applicant: **Fabian Jones**, Houston, TX (US)
- (72) Inventor: **Fabian Jones**, Houston, TX (US)
- (\*\*) Term: **15 Years**
- (21) Appl. No.: **29/659,569**
- (22) Filed: **Aug. 9, 2018**
- (51) **LOC (12) Cl.** ..... **21-02**
- (52) **U.S. Cl.**  
USPC ..... **D21/686**
- (58) **Field of Classification Search**  
USPC .. 482/51, 52, 53, 92, 93, 97, 117, 130, 131;  
D21/673, 675, 679, 680, 685, 686, 688,  
D21/694; D24/194, 212  
CPC ..... A61H 2201/1284; A61H 1/0266; A61H  
2203/0406; A61H 2205/12; A63B 22/16;  
A63B 23/10; Y10S 482/907  
See application file for complete search history.

D515,640	S *	2/2006	Carter	.....	D21/673
D541,356	S *	4/2007	Ayton	.....	D21/686
7,448,988	B2 *	11/2008	Taylor	.....	A63B 21/00181
					482/133
7,662,074	B2 *	2/2010	Webb	.....	A63B 21/0455
					482/97
D615,138	S *	5/2010	Briscoe	.....	D21/686
7,736,283	B2 *	6/2010	Webb	.....	A63B 21/045
					482/137
9,144,702	B2 *	9/2015	Calderone	.....	A61B 5/103
D742,978	S *	11/2015	Summers	.....	D21/686
2008/0085821	A1 *	4/2008	Webb	.....	A63B 21/045
					482/97
2008/0254952	A1 *	10/2008	Webb	.....	A63B 21/0455
					482/97

(Continued)

*Primary Examiner* — Susan E Krakower  
*Assistant Examiner* — Michael A Maharajh  
 (74) *Attorney, Agent, or Firm* — Quickpatents, LLC;  
 Kevin Prince

(57) **CLAIM**

I claim the ornamental design for a calf-raise exercise machine, as shown and described.

**DESCRIPTION**

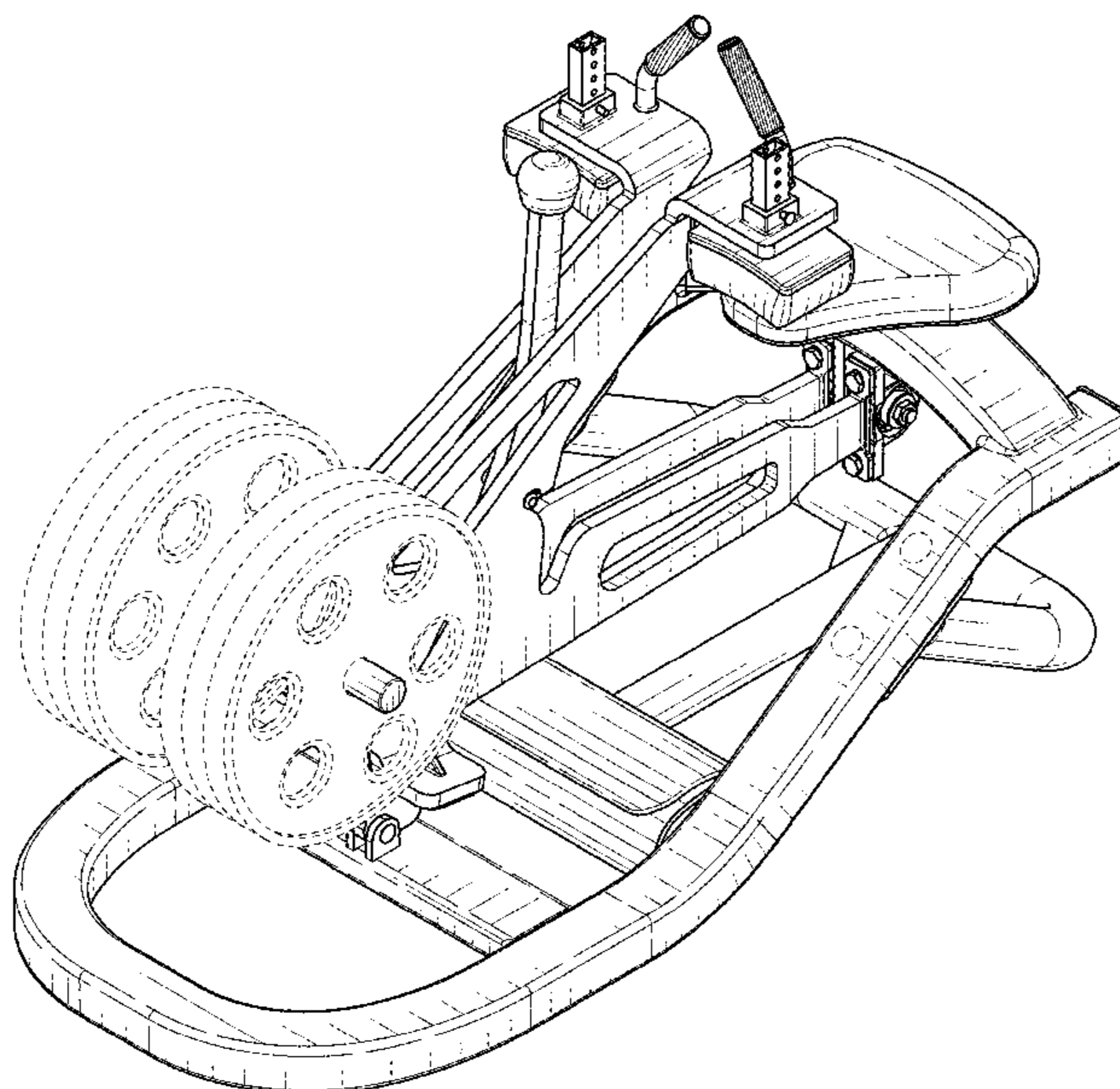
FIG. 1 is a perspective view of a calf-raise exercise machine, showing my new design;  
 FIG. 2 is a front elevational view thereof;  
 FIG. 3 is a rear elevational view thereof;  
 FIG. 4 is a left-side elevational view thereof;  
 FIG. 5 is a right-side elevational view thereof;  
 FIG. 6 is a top plan view thereof; and,  
 FIG. 7 is a bottom plan view thereof.  
 The weight plates shown in broken lines in FIG. 1 are for the purpose of illustrating environmental structure, which form no part of the claimed design. The broken lines showing circular elements on the frame, depict portions of the exercise machine which form no part of the claimed design.

**1 Claim, 7 Drawing Sheets**

(56) **References Cited**

U.S. PATENT DOCUMENTS

4,266,766	A *	5/1981	Calderone	.....	A63B 21/0615
					482/137
4,621,810	A *	11/1986	Cummins	.....	A63B 21/0615
					482/97
4,813,666	A *	3/1989	Costilow	.....	A63B 21/0615
					482/97
4,923,195	A *	5/1990	Calderone	.....	A63B 21/0615
					482/97
6,010,437	A *	1/2000	Jones	.....	A63B 21/0615
					482/97
6,312,365	B1 *	11/2001	Koenig	.....	A63B 21/0615
					482/97
6,485,399	B2 *	11/2002	Greene	.....	A63B 21/0004
					482/93
6,533,709	B1 *	3/2003	Jones	.....	A63B 21/0615
					482/97



(56)

**References Cited**

U.S. PATENT DOCUMENTS

2010/0285934 A1\* 11/2010 Abelbeck ..... A63B 21/00072  
482/97  
2013/0267391 A1\* 10/2013 Todd ..... A63B 21/4047  
482/97  
2019/0308054 A1\* 10/2019 Borisoff ..... A63B 22/0664

\* cited by examiner

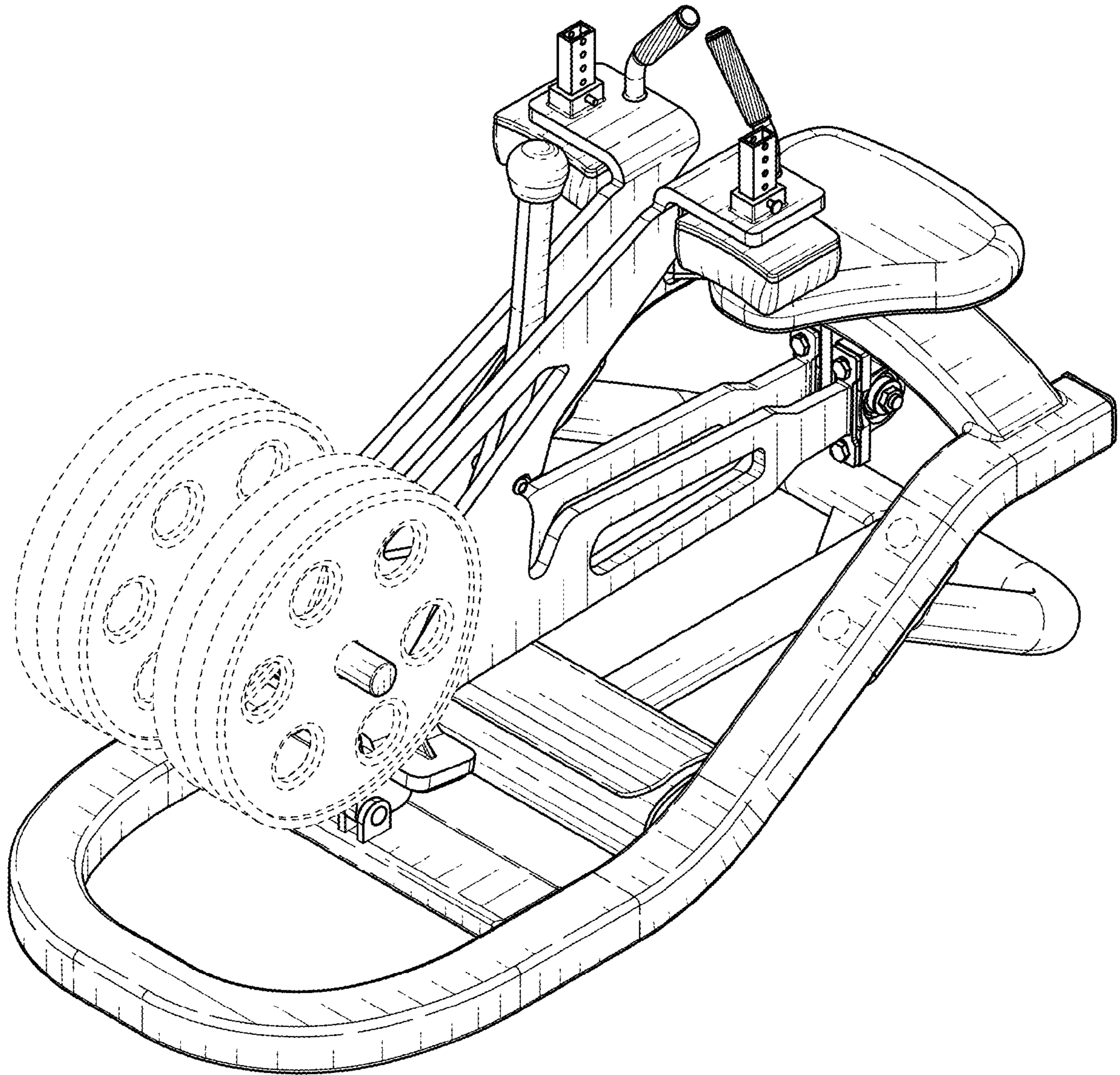


FIG. 1



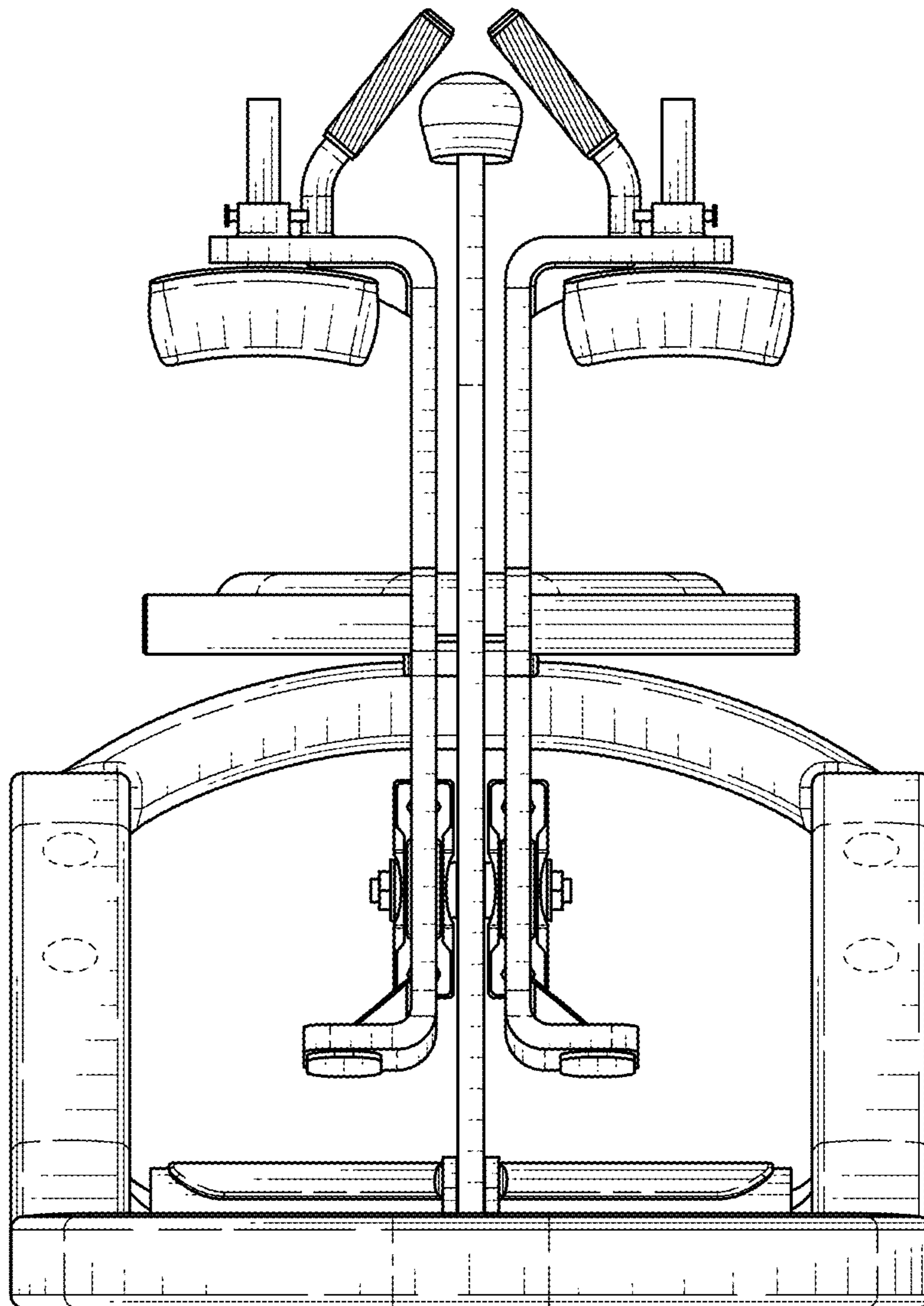


FIG. 2

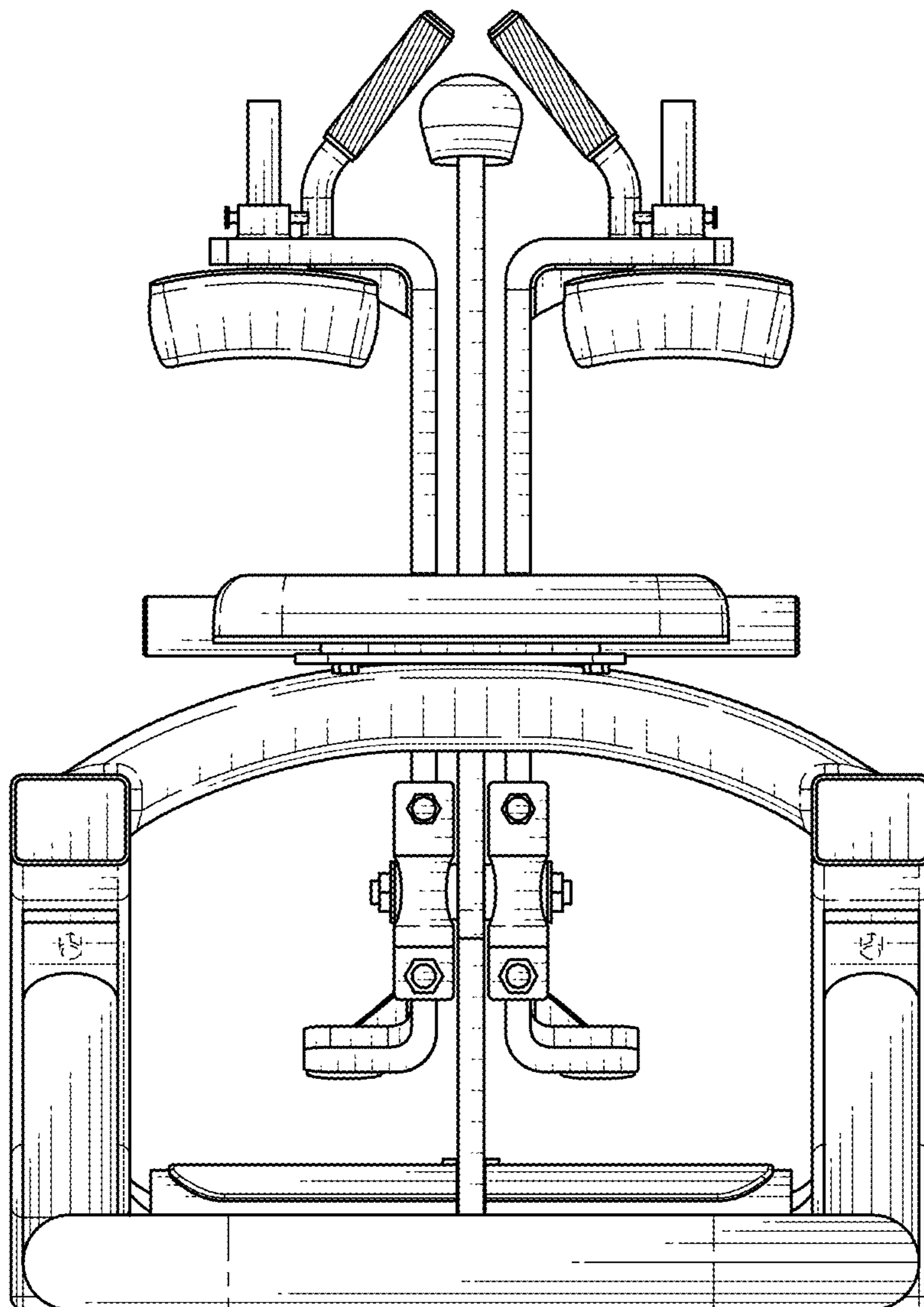


FIG. 3

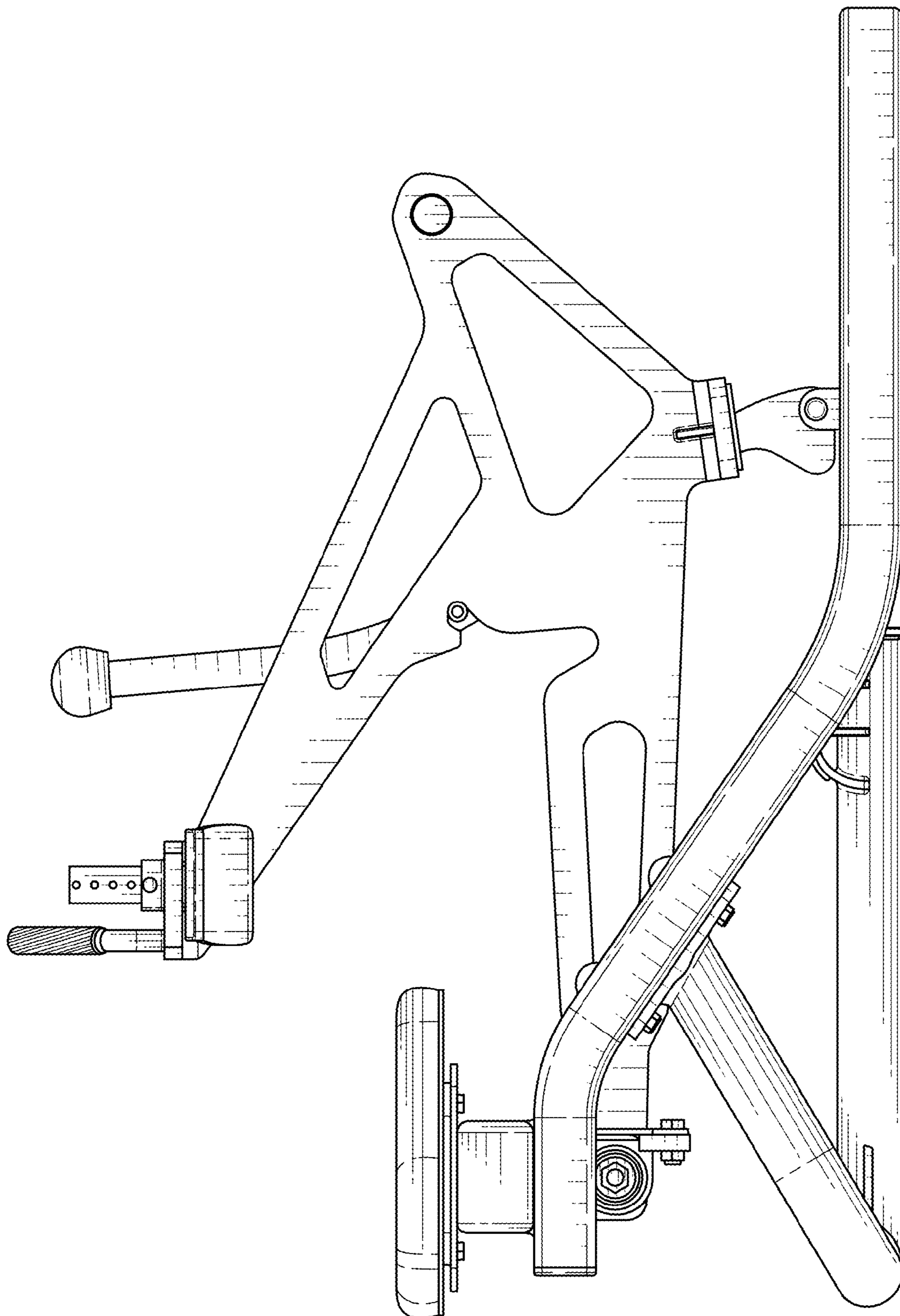


FIG. 4

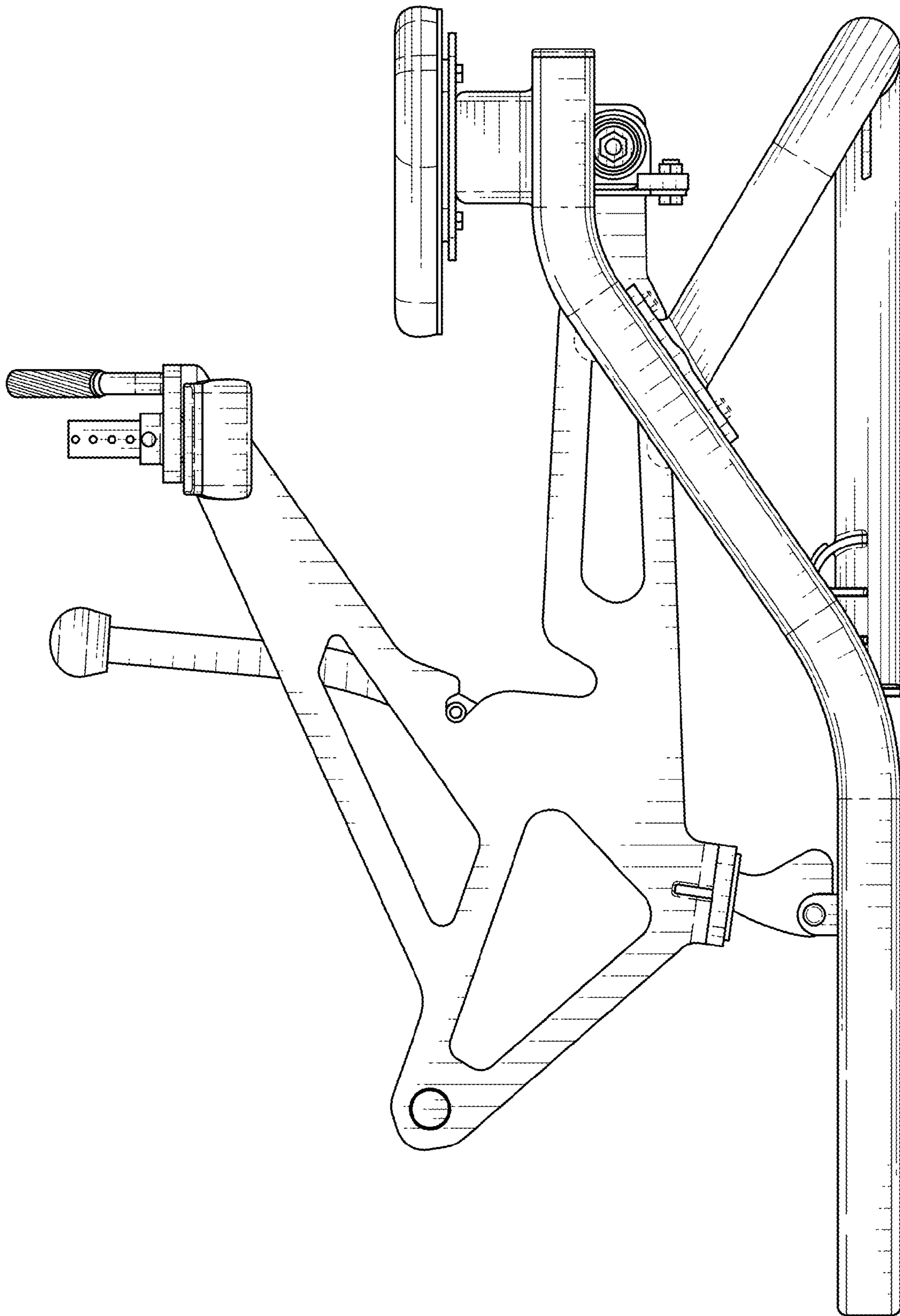


FIG. 5



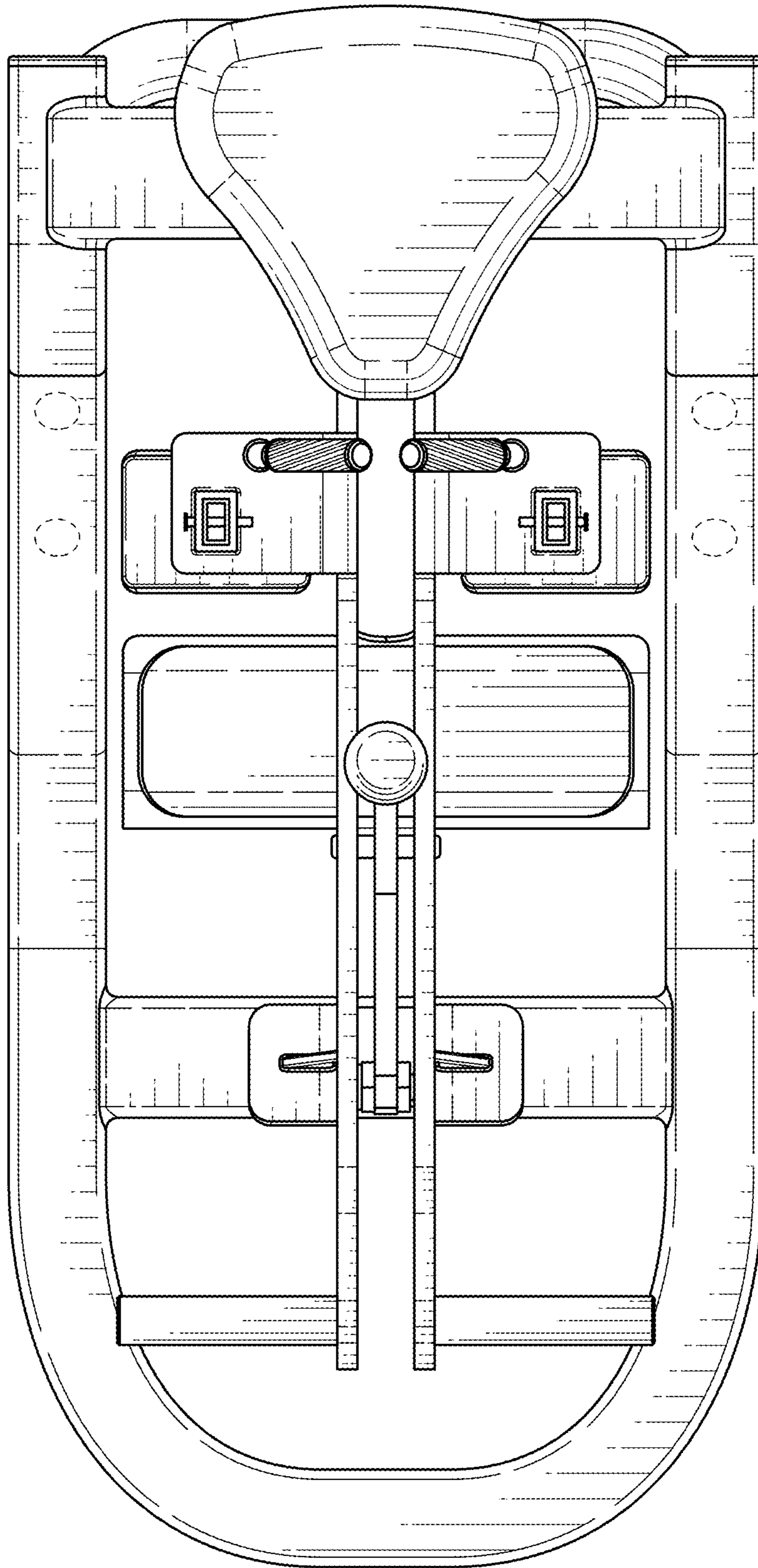


FIG. 6



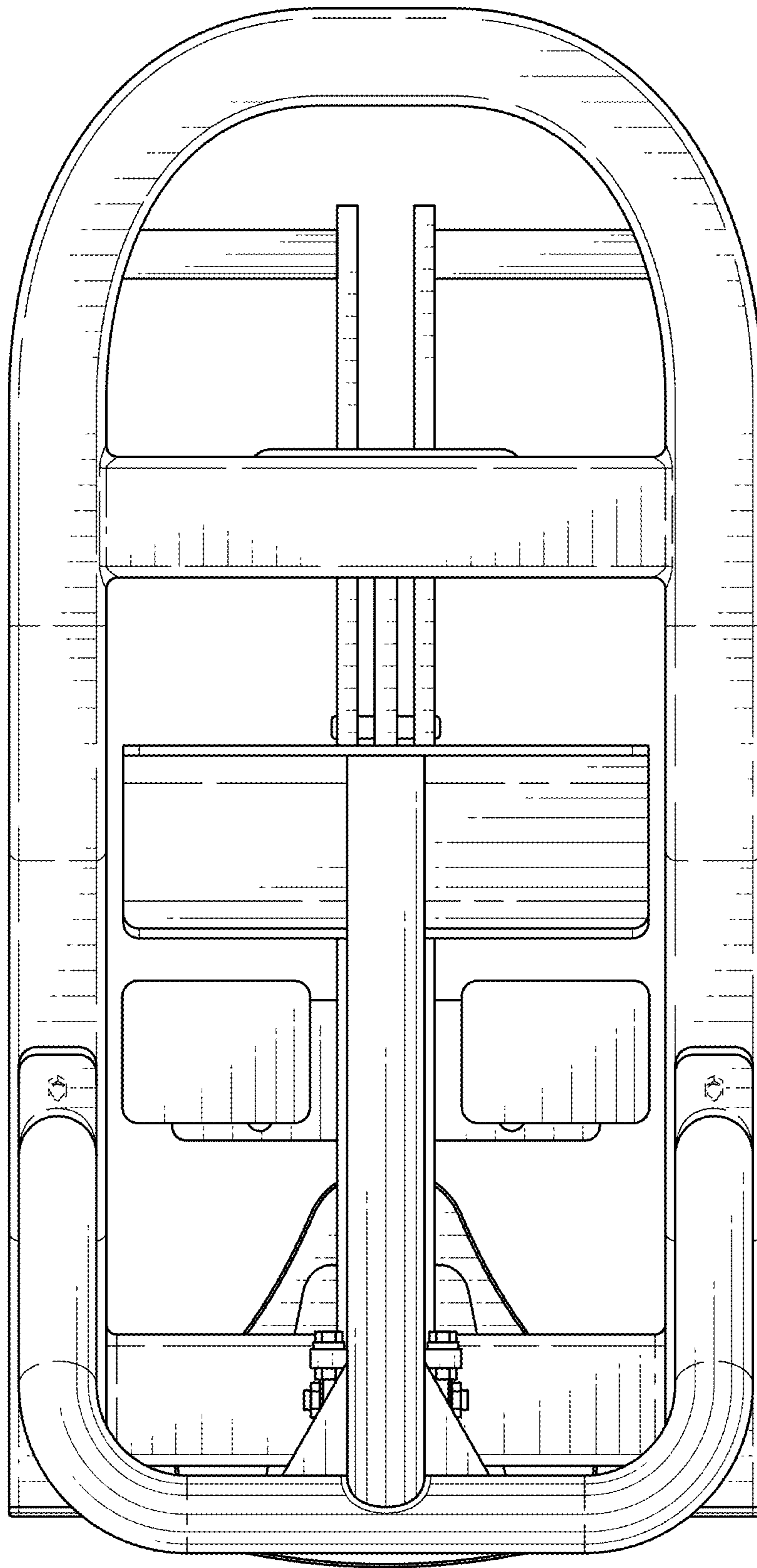


FIG. 7