



US00D879888S

(12) **United States Design Patent**
Flick

(10) **Patent No.:** **US D879,888 S**

(45) **Date of Patent:** **** Mar. 31, 2020**

(54) **KETTLEBELL**

(71) Applicant: **NAUTILUS, INC.**, Vancouver, WA
(US)

(72) Inventor: **Edward L. Flick**, Brush Prairie, WA
(US)

(73) Assignee: **Nautilus, Inc.**, Vancouver, WA (US)

(**) Term: **15 Years**

(21) Appl. No.: **29/662,554**

(22) Filed: **Sep. 6, 2018**

(51) **LOC (12) Cl.** **21-02**

(52) **U.S. Cl.**
USPC **D21/680**

(58) **Field of Classification Search**
USPC D21/662, 678, 679, 680-682, 684
CPC A63B 21/00065; A63B 21/075; A63B
21/00726; A63B 21/072; A63B 21/00728
See application file for complete search history.

(56) **References Cited**

U.S. PATENT DOCUMENTS

4,659,079	A *	4/1987	Blanchard	A63B 47/007 206/315.9
7,762,933	B1 *	7/2010	Yu	A63B 21/075 482/106
D628,251	S *	11/2010	Krull	D21/681
7,981,013	B2 *	7/2011	Krull	A63B 21/075 482/107
D653,716	S *	2/2012	Lin	D21/682
D692,509	S *	10/2013	Kessler	D21/682
D796,592	S *	9/2017	Towley	D21/682
D832,942	S *	11/2018	Arceta	D21/680
2007/0135274	A1 *	6/2007	Blateri	A63B 21/075 482/109
2010/0331151	A1 *	12/2010	Signorile	A63B 21/00196 482/93

2011/0306475	A1 *	12/2011	Caswell	A63B 21/0601 482/93
2013/0040789	A1 *	2/2013	Kessler	A63B 21/072 482/108
2019/0240526	A1 *	8/2019	Owusu	A63B 21/00065

OTHER PUBLICATIONS

Bowflex® 840 Kettlebell | Product Overview: Published Aug. 12, 2019 [online], site visited Nov. 6, 2019. Available from Internet URL:<https://youtu.be/mJRPIILr3Ek> (Year: 2019).*
Kettlebell Adjustable—Weight Equipment Kettlebell: Published Dec. 10, 2015[online], site visited Nov. 10, 2019. Available from Internet URL:https://www.amazon.co.uk/dp/B0194SCEH0/ref=cm_sw_r_tw_dp_U_x_YfYWDbSW85FEG (Year: 2015).*

(Continued)

Primary Examiner — Jack Reickel

Assistant Examiner — Melvin L Davis

(74) *Attorney, Agent, or Firm* — Dorsey & Whitney LLP

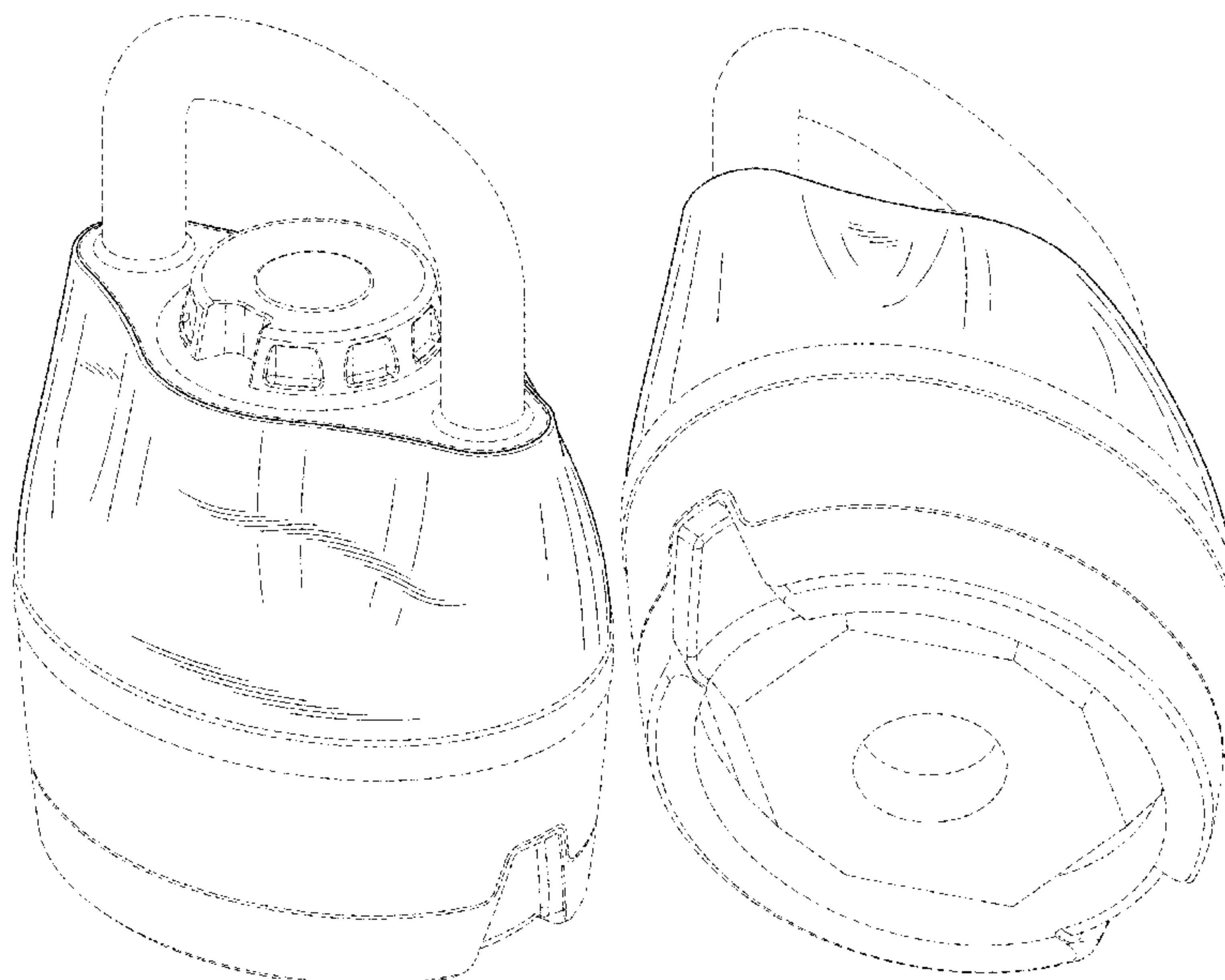
(57) **CLAIM**

I claim the ornamental design for a kettlebell, as shown and described.

DESCRIPTION

FIG. 1 shows a top isometric view of a kettlebell in accordance with the present design.
FIG. 2 shows a bottom isometric view of the kettlebell in FIG. 1.
FIG. 3 shows a front elevation view thereof.
FIG. 4 shows a rear elevation view thereof.
FIG. 5 shows a right side elevation view thereof.
FIG. 6 shows a left side elevation view thereof.
FIG. 7 shows a top plan view thereof; and,
FIG. 8 shows a bottom plan view thereof.
The broken lines illustrate portions of the kettlebell that form no part of the claimed design.

1 Claim, 8 Drawing Sheets



(56)

References Cited

OTHER PUBLICATIONS

Marcy Adjustable Kettlebell Set Cast Iron—13.5 kg, Black/Silver
Marcy: Published Oct. 20, 2015 [online], site visited Nov. 6 2019.
Available from Internet URL: https://www.amazon.co.uk/dp/B016YFVRM4/ref=cm_sw_r_tw_dp_U_x_XoYWDbQRFCRNT
(Year: 2015).*

PU Kettlebell: Published Oct. 12, 2018 [online], site visited Nov. 8,
2019. Available from Internet URL: <https://www.amazon.co.uk/Physical-Company-PUKB10-PU-Kettlebell/dp/B01BKEP7KC>.*

* cited by examiner

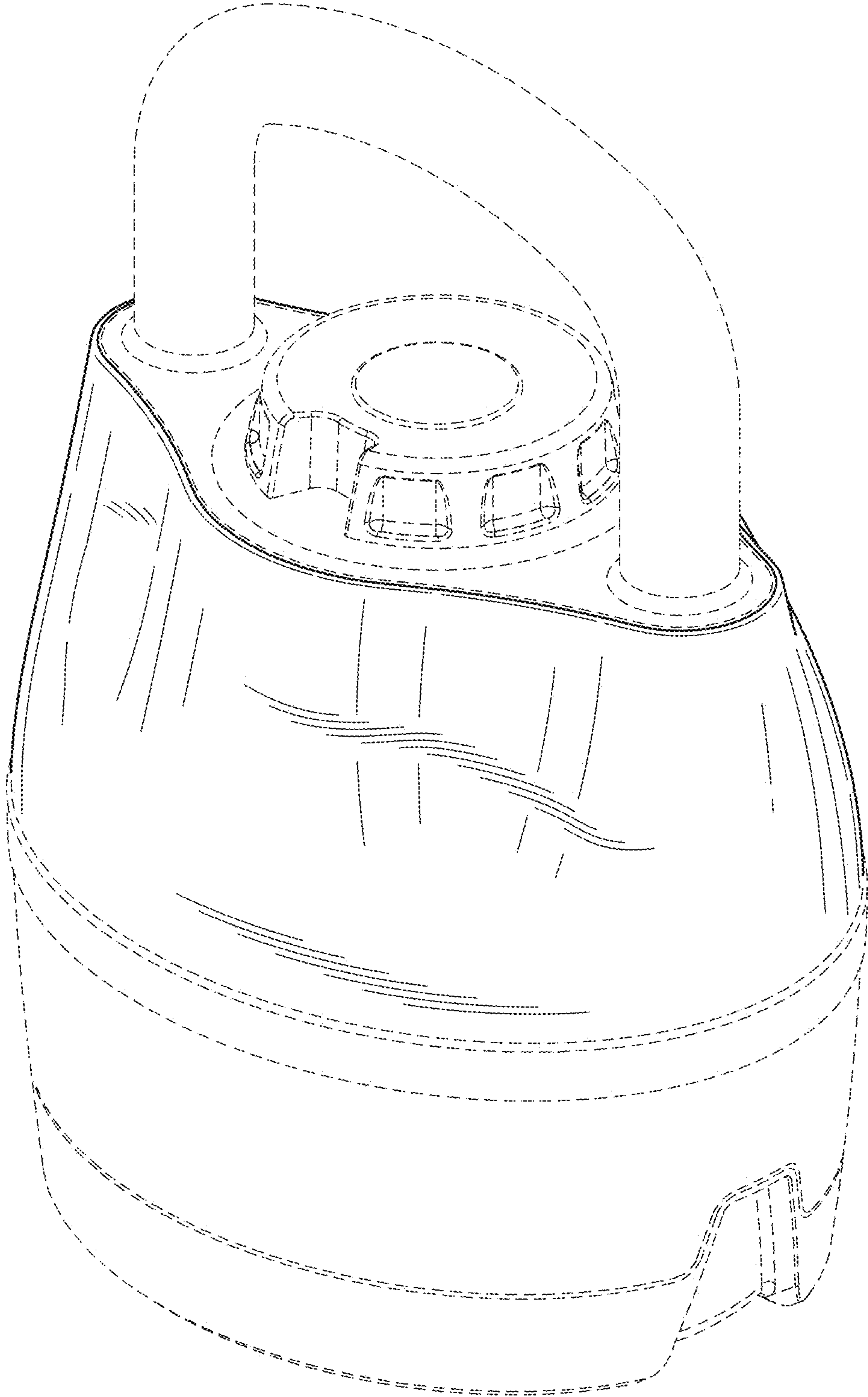


FIG. 1

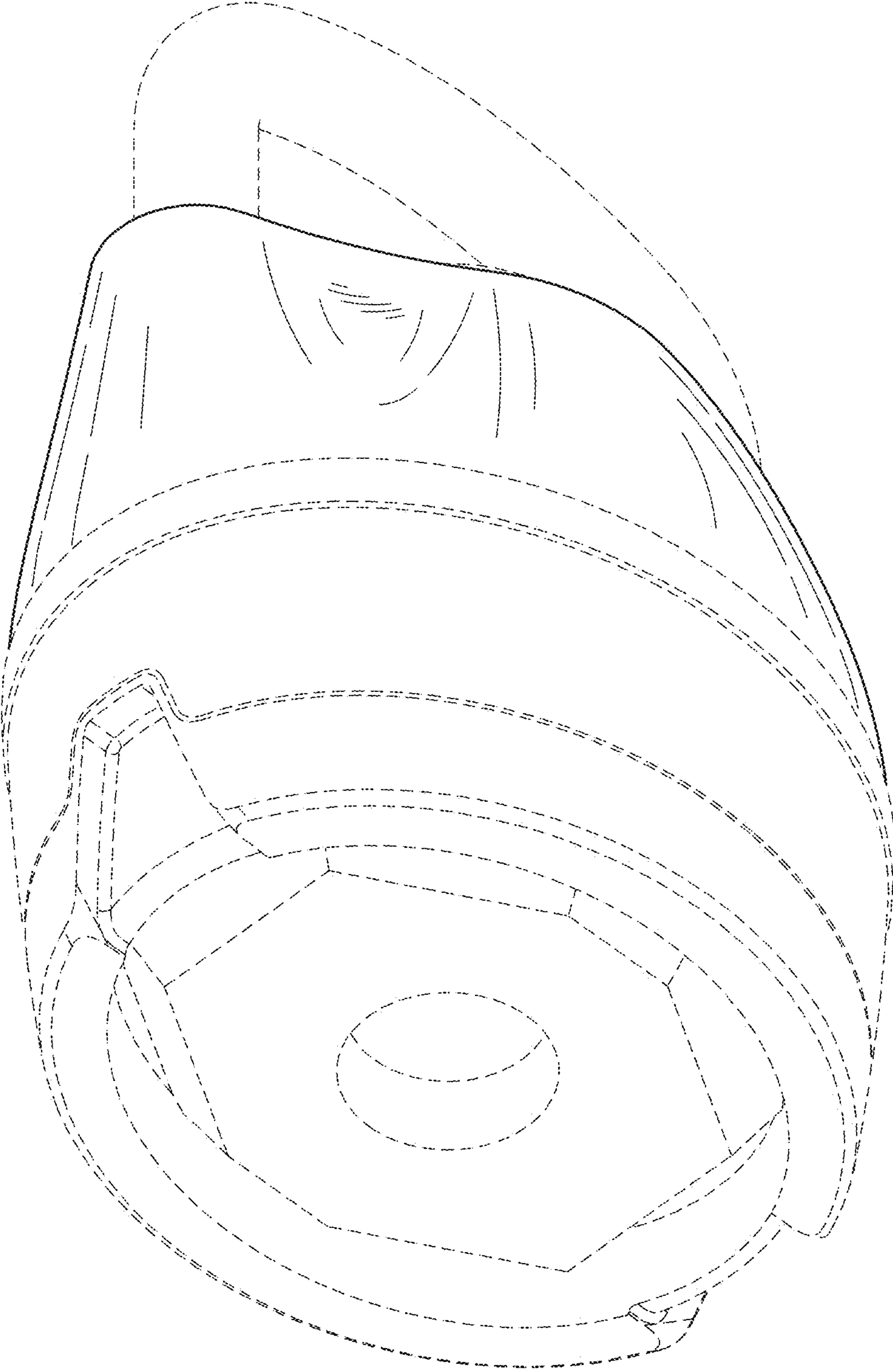


FIG. 2

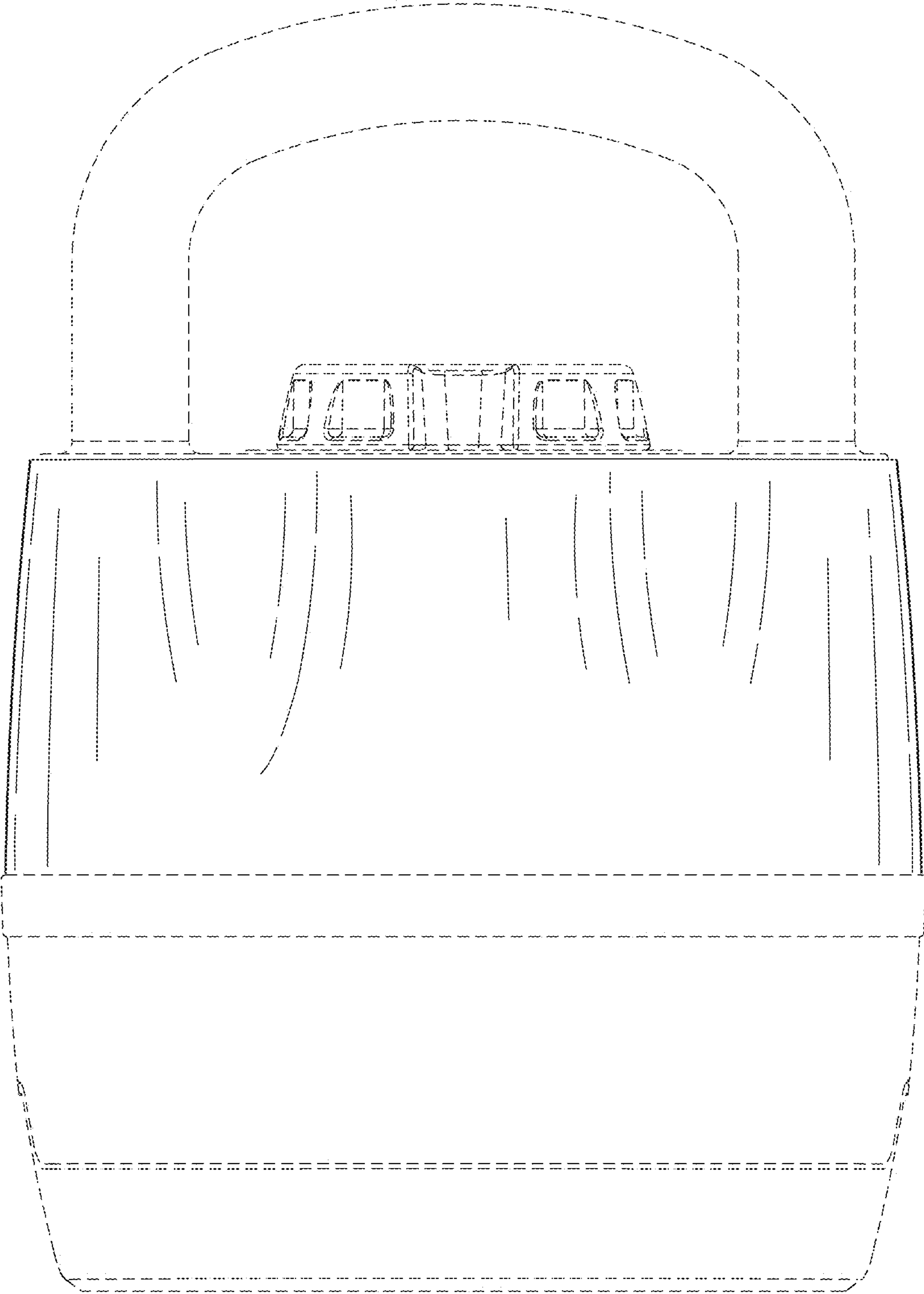


FIG. 3

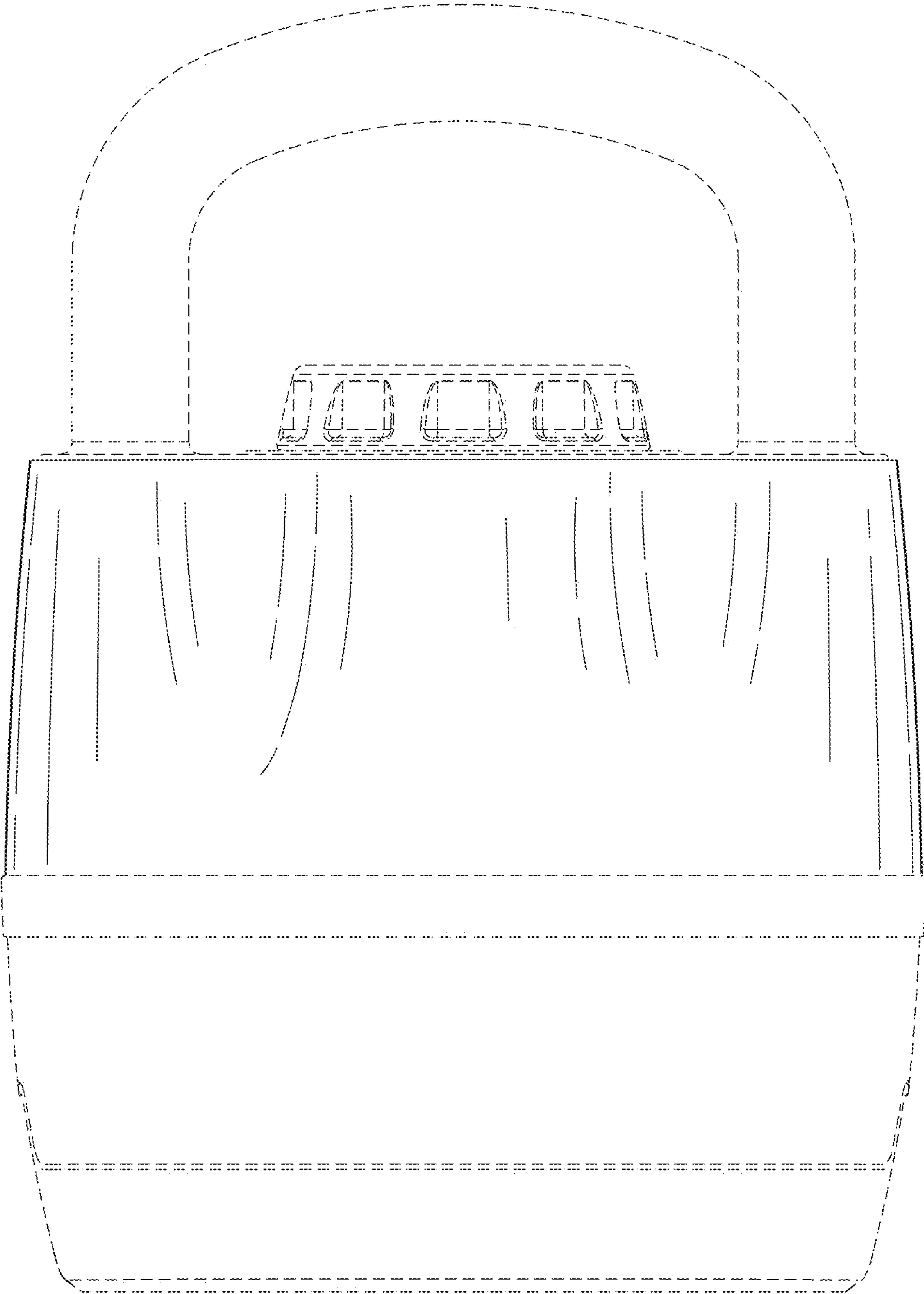


FIG. 4

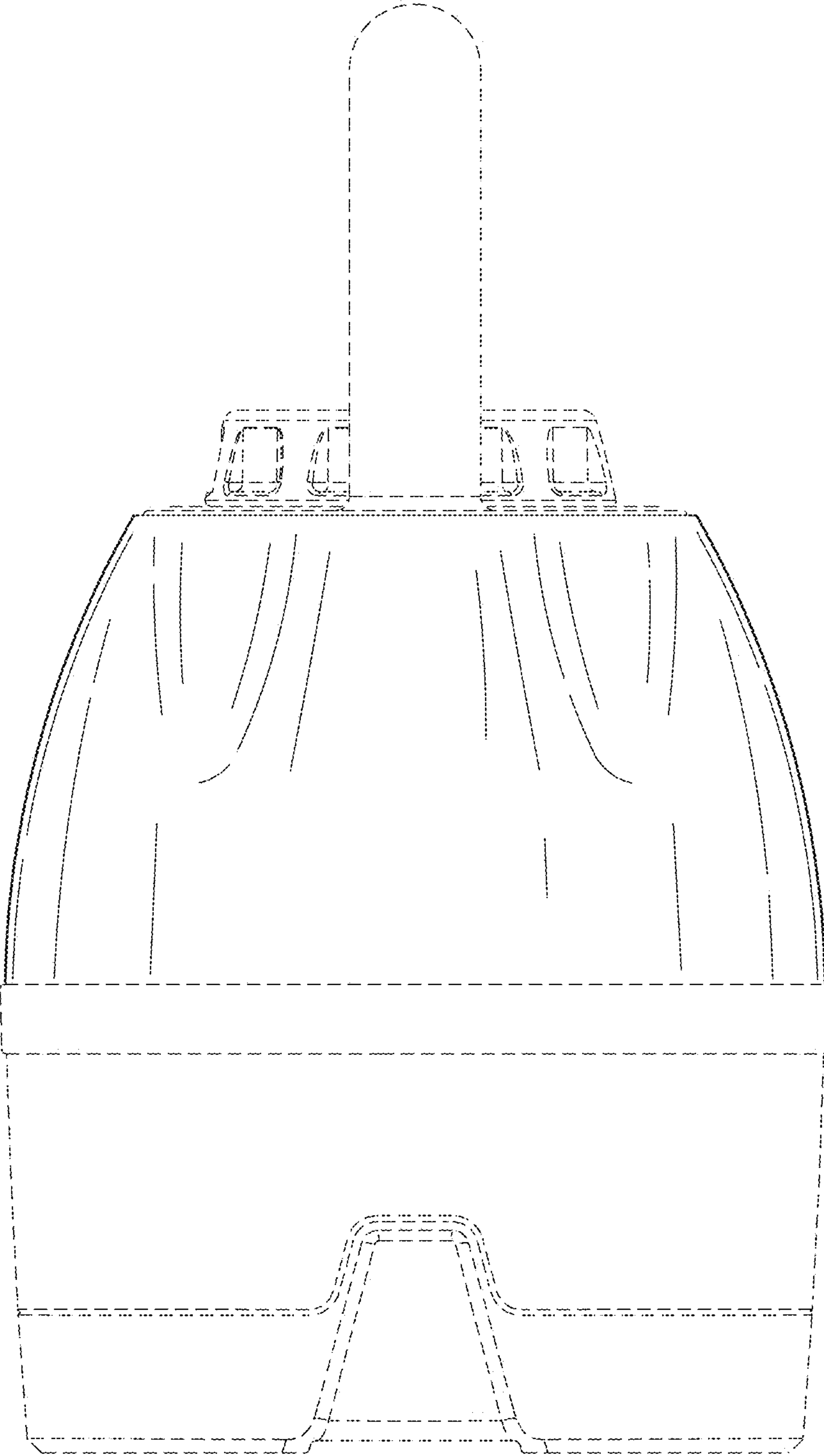


FIG. 5

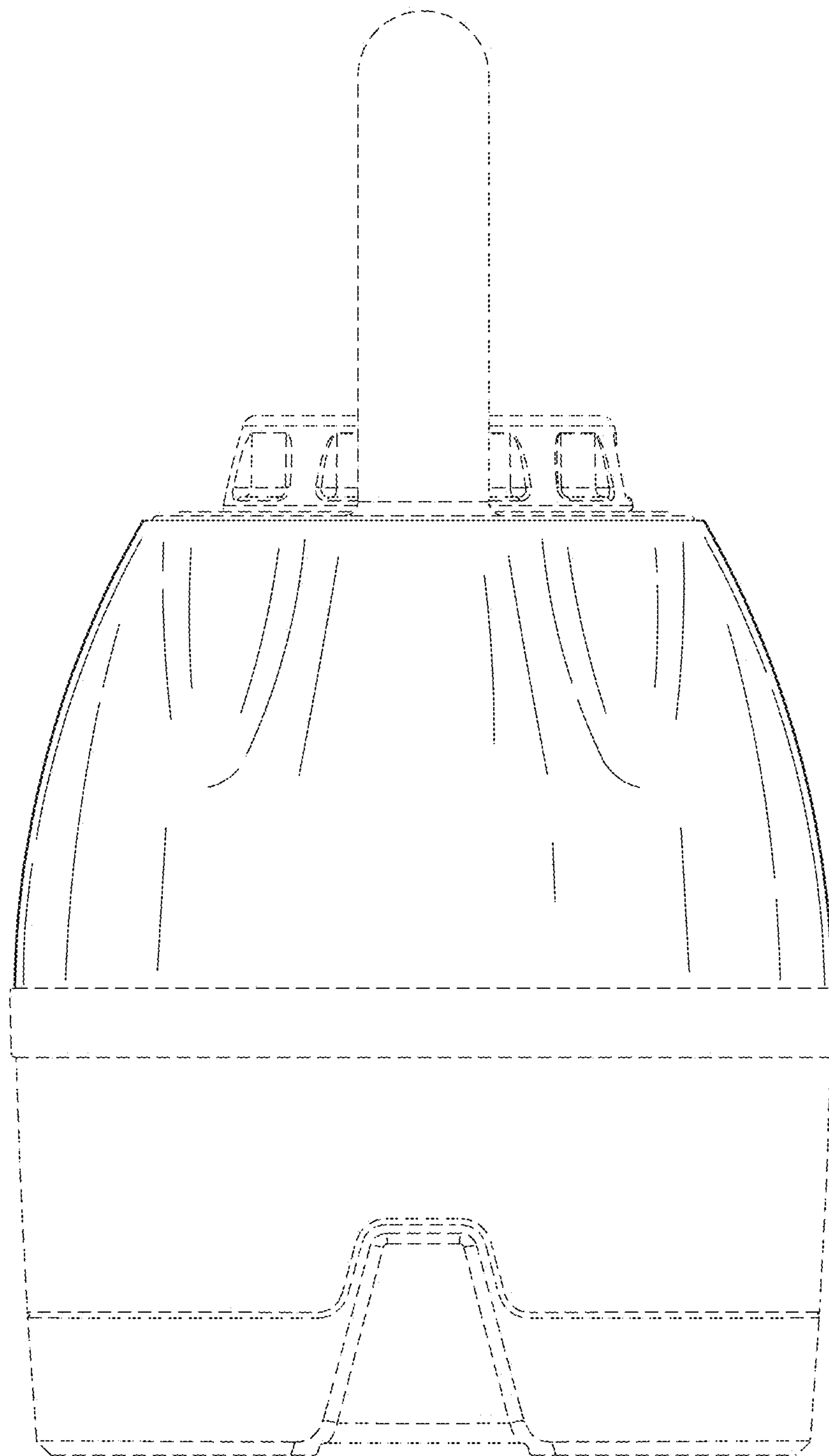


FIG. 6

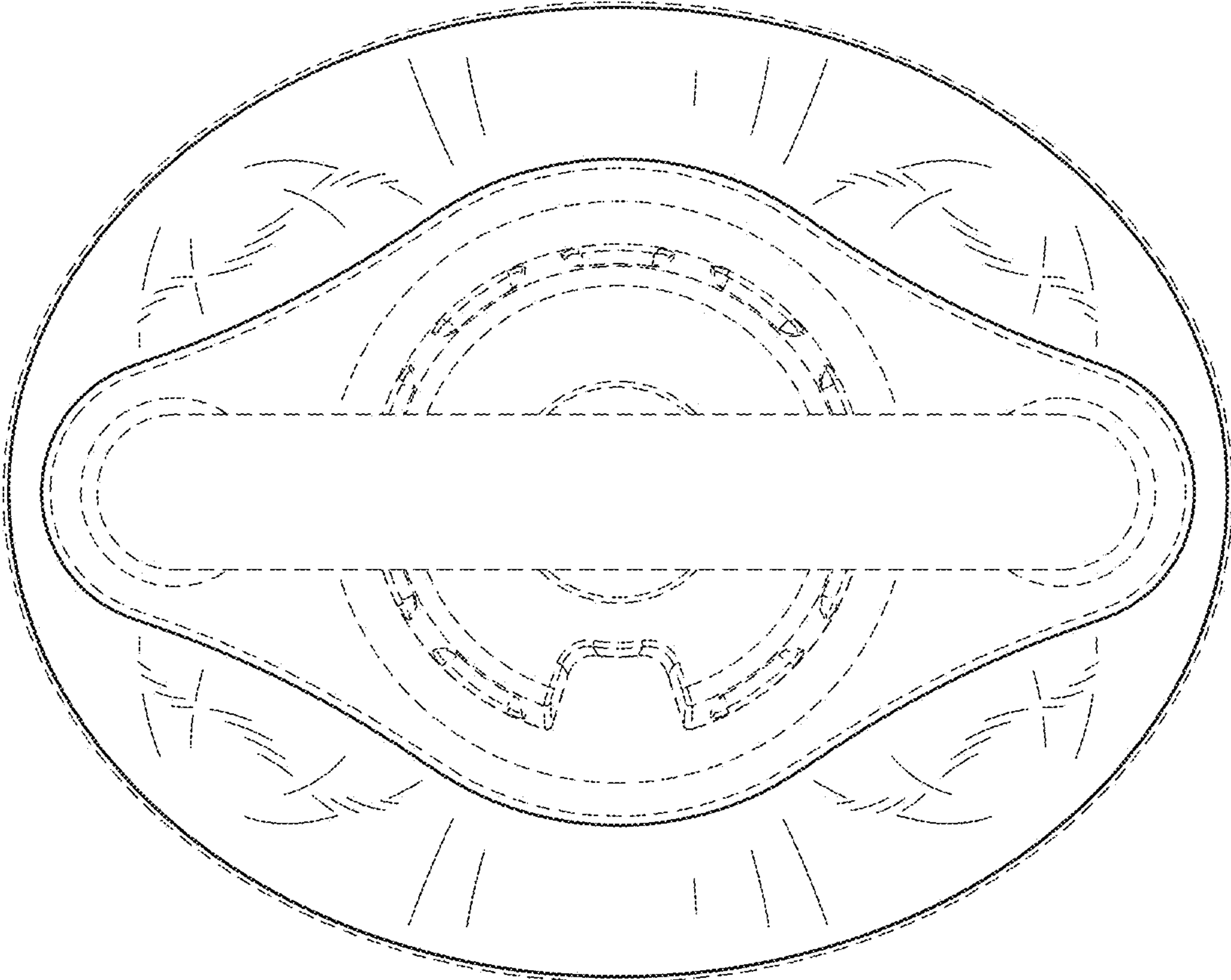


FIG. 7

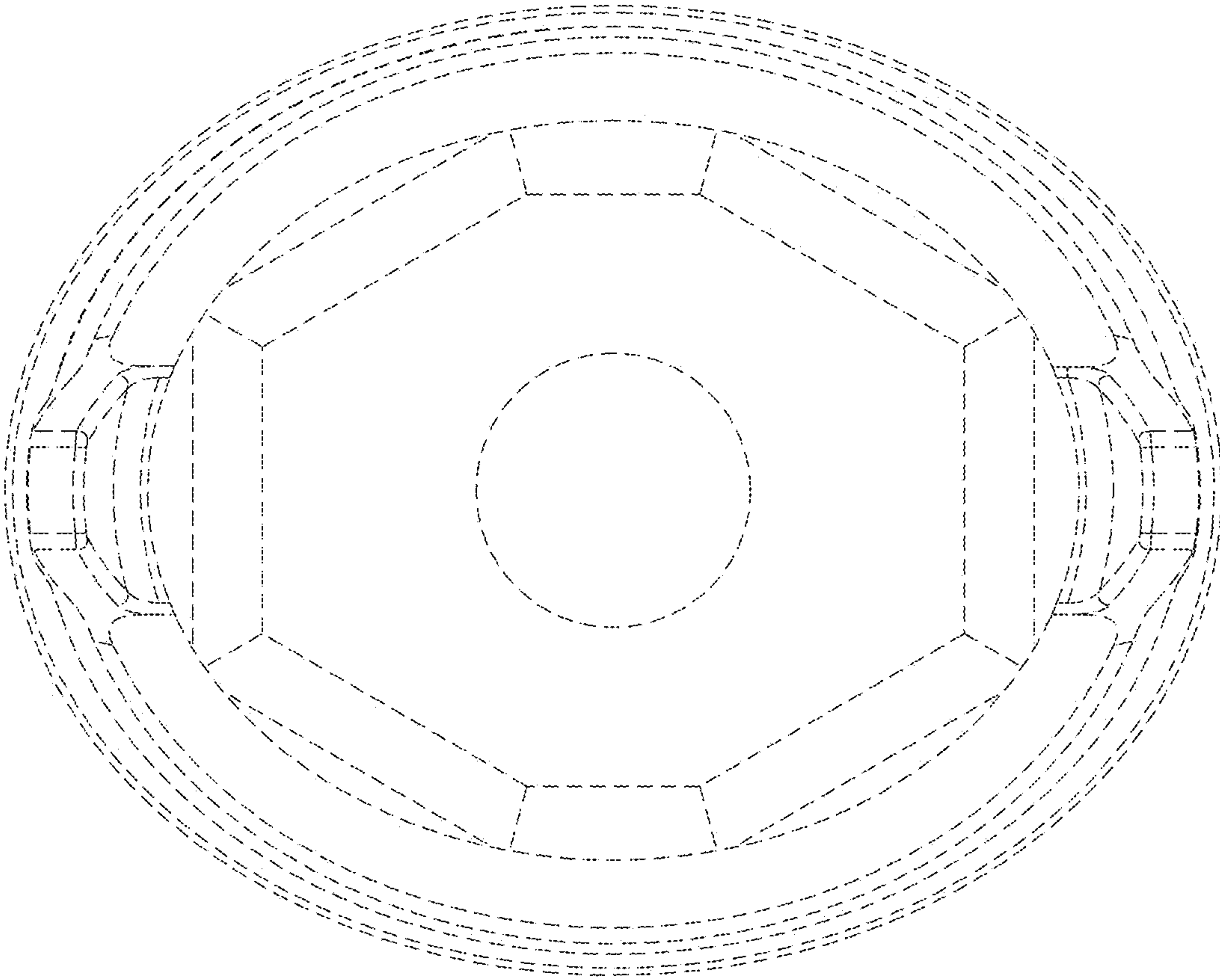


FIG. 8