



US00D879885S

(12) **United States Design Patent**
Ostergaard

(10) **Patent No.:** **US D879,885 S**
(45) **Date of Patent:** **** Mar. 31, 2020**

(54) **WAGON FRAME**

FOREIGN PATENT DOCUMENTS

(71) Applicant: **RADIO FLYER INC.**, Chicago, IL
(US)

JP 20011706 1/2001
JP 2009137521 6/2009

(Continued)

(72) Inventor: **Collin Ostergaard**, Chicago, IL (US)

(73) Assignee: **Radio Flyer Inc.**, Chicago, IL (US)

OTHER PUBLICATIONS

First Office Action from related Chinese Patent Application No. 201480042017.1 dated Oct. 24, 2016, with translation.

(Continued)

(**) Term: **15 Years**

(21) Appl. No.: **29/664,535**

(22) Filed: **Sep. 26, 2018**

Primary Examiner — Cynthia M. Chin

(51) **LOC (12) Cl.** **21-01**

(74) *Attorney, Agent, or Firm* — Barnes & Thornburg LLP

(52) **U.S. Cl.**

USPC **D21/425**

(58) **Field of Classification Search**

USPC D21/425, 534, 536; D12/105, 106;
D34/12, 27

CPC .. B62B 3/00; B62B 3/02; B62B 3/002; B62B
3/003; B62B 3/007; B62B 3/14; B62B
5/08; B62B 5/082; B62B 5/085

See application file for complete search history.

(57) **CLAIM**

I claim the ornamental design for a wagon frame, as shown and described.

DESCRIPTION

(56) **References Cited**

U.S. PATENT DOCUMENTS

1,371,198 A	3/1921	Daum
1,465,211 A	8/1923	Dunkelberger
1,489,443 A	4/1924	Kelly
1,771,813 A	7/1930	Norman
1,820,466 A	8/1931	Lieblein
2,020,766 A	11/1935	Brown
2,471,553 A	5/1949	Zuckerman
2,563,995 A	8/1951	East
2,575,189 A	11/1951	Schmidt
2,942,679 A	6/1960	Gibson
2,984,514 A	5/1961	Lemley
2,989,318 A	6/1961	Schenkman
3,116,935 A	1/1964	Mitchin et al.
3,162,460 A	12/1964	Davidson
3,893,532 A	7/1975	Perlowin
4,227,709 A	10/1980	Gradwohl et al.
4,449,322 A	5/1984	Blumenthal

(Continued)

FIG. 1 is a front perspective view of the wagon frame according to the new design.

FIG. 2 is a front elevation view of the wagon frame shown in FIG. 1.

FIG. 3 is a rear elevation view of the wagon frame shown in FIG. 1.

FIG. 4 is a top plan view of the wagon frame shown in FIG. 1.

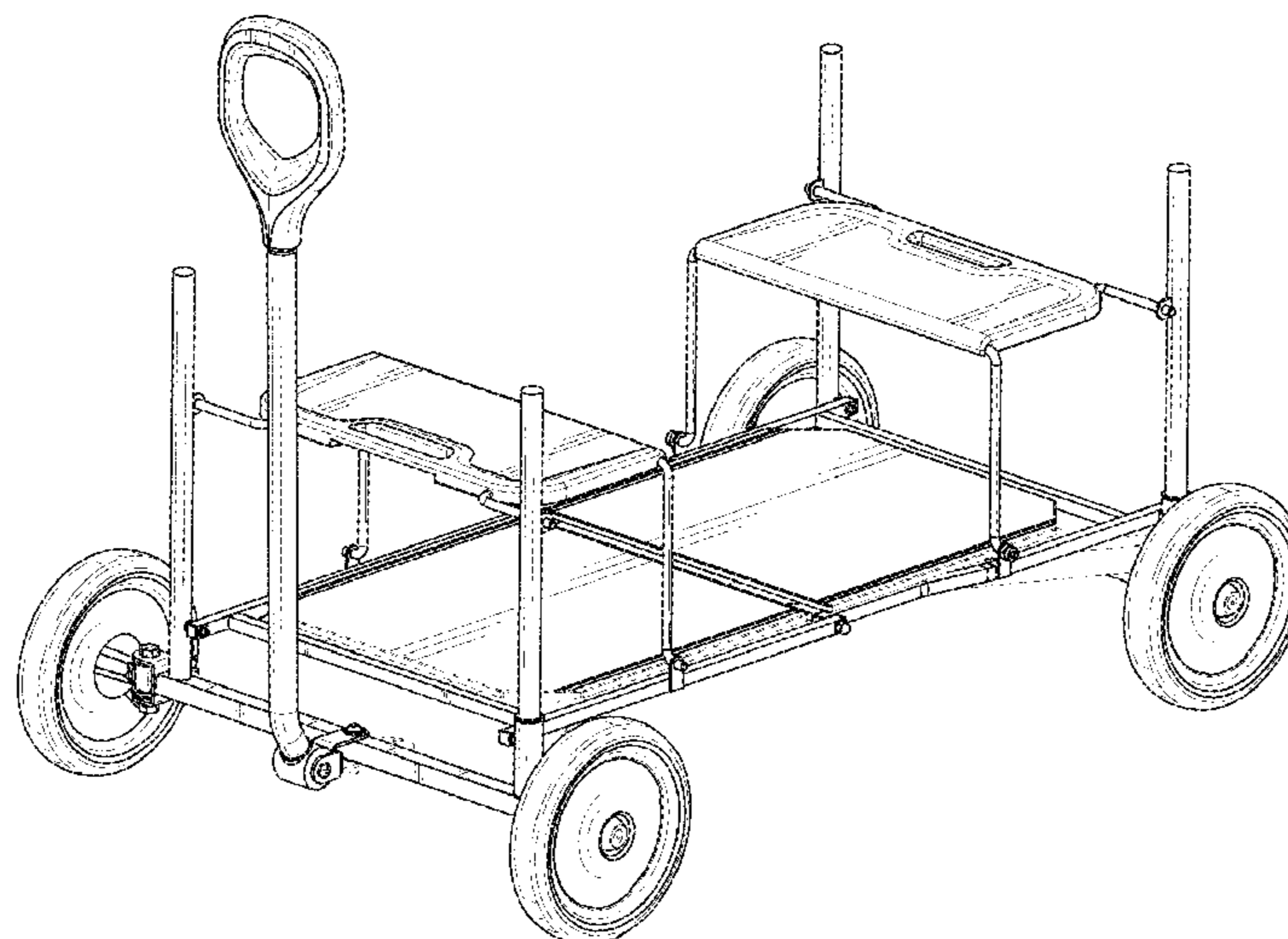
FIG. 5 is a bottom plan view of the wagon frame shown in FIG. 1.

FIG. 6 is a left side elevation view of the wagon frame shown in FIG. 1; and,

FIG. 7 is a right side elevation view of the wagon frame shown in FIG. 1.

The broken lines in the drawings illustrate portions of the wagon frame that form no part of the claimed design.

1 Claim, 7 Drawing Sheets



(56)

References Cited

U.S. PATENT DOCUMENTS

4,706,986 A	11/1987	Kassai	7,661,156 B2	2/2010	Thorne et al.
4,735,426 A	4/1988	McConnell	7,703,795 B2	4/2010	Williamson
4,741,552 A	5/1988	Kassai	7,731,221 B2	6/2010	Bess
4,746,140 A	5/1988	Kassai	7,775,530 B2	8/2010	Darling, III
4,763,907 A	8/1988	Raymond	7,823,906 B2	11/2010	Darling, III
4,796,909 A	1/1989	Kirkendall	7,836,530 B2	11/2010	Thorne et al.
4,811,968 A	3/1989	Bolden	8,011,686 B2	9/2011	Chen et al.
4,824,137 A	4/1989	Bolden	8,060,959 B2	11/2011	Thorne et al.
4,844,493 A	7/1989	Kramer	8,091,916 B2	1/2012	Shapiro
4,856,810 A	8/1989	Smith	8,120,190 B2	2/2012	Bravo
4,878,682 A	11/1989	Lee	8,191,907 B2	6/2012	Watson
4,887,836 A	12/1989	Simjian	8,220,824 B2	7/2012	Chen et al.
5,050,900 A	9/1991	Lee	8,286,739 B2	10/2012	Oliphant
5,333,893 A	8/1994	Chen	8,297,642 B2	10/2012	Tyson, III
5,360,222 A	11/1994	Bro et al.	8,388,015 B2 *	3/2013	Chen B62B 3/007 280/642
5,423,592 A	6/1995	Spurrier et al.	8,453,771 B1	6/2013	Hirschfeld
5,538,267 A	7/1996	Pasin et al.	8,458,829 B2	6/2013	Thorne et al.
5,657,828 A	8/1997	Nagamachi	8,490,732 B2	7/2013	Sugimoto et al.
5,669,617 A	9/1997	Pasin et al.	8,556,740 B1	10/2013	Schneider
5,746,282 A	5/1998	Fujiwara et al.	8,672,081 B2	3/2014	Kume et al.
5,806,864 A	9/1998	Zielinski et al.	8,746,377 B1	6/2014	Dunbar
5,833,251 A	11/1998	Peck	8,746,710 B2	6/2014	Schejbal
5,857,695 A	1/1999	Crowell	8,851,503 B2	10/2014	Tyson, III
5,876,049 A	3/1999	Spear et al.	8,944,459 B1	2/2015	Hagy
5,911,432 A	6/1999	Song	8,955,855 B2	2/2015	Herlitz et al.
5,915,723 A	6/1999	Austin	D723,762 S	3/2015	Treadwell
5,947,493 A	9/1999	Pasin et al.	8,973,940 B2 *	3/2015	Chen B62B 3/02 280/35
5,957,482 A	9/1999	Shorter	9,033,361 B2	5/2015	Frankel et al.
6,010,145 A	1/2000	Liu	9,045,152 B2	6/2015	Sekine et al.
6,079,720 A	6/2000	Spear et al.	9,056,621 B1 *	6/2015	Jin B62B 3/027
6,079,777 A	6/2000	Simmons et al.	9,073,564 B2 *	7/2015	Yang B62B 3/02
6,142,491 A	11/2000	Darling	9,108,656 B1	8/2015	Nolan et al.
6,164,671 A	12/2000	Darling	D738,436 S	9/2015	Cummings
6,220,611 B1	4/2001	Shapiro	9,145,154 B1	9/2015	Horowitz
6,270,092 B2	8/2001	Darling, III	9,211,897 B2	12/2015	Yang et al.
6,276,471 B1	8/2001	Kratzenberg et al.	9,242,663 B1	1/2016	Nolan et al.
6,318,740 B1	11/2001	Nappo	D748,739 S	2/2016	Horowitz
D458,648 S	6/2002	Chiappetta et al.	9,327,749 B2	5/2016	Young et al.
6,488,293 B1	12/2002	Mitchell et al.	9,365,225 B2	6/2016	Henao
6,491,318 B1	12/2002	Galt et al.	D763,532 S	8/2016	Huang
6,499,750 B1	12/2002	Michelau	9,580,095 B2 *	2/2017	Vargas, II B62B 3/02
6,536,796 B1	3/2003	Solomon	D794,133 S *	8/2017	Ostergaard D21/425
6,561,529 B2	5/2003	Darling, III	9,896,118 B2 *	2/2018	Choi B62B 3/007
6,581,945 B1	6/2003	Shapiro	9,950,729 B2 *	4/2018	Choi B62B 7/06
6,629,574 B2	10/2003	Turner	10,040,470 B1 *	8/2018	Horowitz B62B 5/0013
D483,419 S	12/2003	Chiappetta et al.	D827,722 S *	9/2018	Sun D21/425
6,663,139 B1	12/2003	Smith	10,081,380 B2 *	9/2018	Fitzwater B62B 3/022
6,733,026 B1	5/2004	Robberson et al.	10,099,711 B1 *	10/2018	Sun B62B 3/007
6,845,991 B1	1/2005	Ritucci et al.	10,099,712 B1 *	10/2018	Sun B62B 5/067
6,893,030 B2	5/2005	Shapiro	10,106,186 B2 *	10/2018	Choi B29C 35/02
6,916,028 B2	7/2005	Shapiro	10,300,933 B2 *	5/2019	DeBry B62B 3/005
6,932,365 B2	8/2005	Chiappetta et al.	2003/0025301 A1	2/2003	Banuelos
7,017,939 B2	3/2006	Darling, III	2004/0164512 A1	8/2004	Gunter et al.
7,066,485 B2	6/2006	Shapiro	2005/0275195 A1	12/2005	Matula et al.
7,097,182 B1	8/2006	Liu	2006/0119056 A1	6/2006	Olsen
7,118,115 B2	10/2006	Abel	2007/0284900 A1	12/2007	Sze
7,150,339 B2	12/2006	Liao et al.	2008/0041644 A1	2/2008	Tudek et al.
7,150,465 B2	12/2006	Darling, III	2008/0073880 A1	3/2008	Bess
7,163,213 B2	1/2007	Chambers	2008/0217886 A1	9/2008	Poppinga et al.
7,210,545 B1	5/2007	Waid	2008/0258435 A1	10/2008	Blair
7,226,059 B1	6/2007	Samuels	2009/0066114 A1	3/2009	Molton
D547,812 S	7/2007	Seckel et al.	2010/0090444 A1 *	4/2010	Chen B62B 3/007 280/651
D566,200 S	4/2008	Seckel et al.	2010/0123294 A1	5/2010	Ellington et al.
D570,424 S	6/2008	Blair	2010/0140902 A1	6/2010	Zehfuss
D573,663 S	7/2008	Ogawa	2010/0156069 A1	6/2010	Chen
7,392,994 B2	7/2008	Darling, III	2011/0025005 A1	2/2011	Howell
7,407,177 B2	8/2008	Darling, III	2011/0204598 A1	8/2011	Stevenson
7,461,857 B2	12/2008	Darling, III	2012/0235372 A1	9/2012	Herlitz et al.
7,475,900 B2	1/2009	Cheng	2012/0274052 A1	11/2012	Zhu
7,487,977 B2	2/2009	Johnson	2013/0179016 A1	7/2013	Gale
7,490,684 B2	2/2009	Seymour et al.	2013/0239322 A1	9/2013	Thorne et al.
7,523,955 B2	4/2009	Blair	2014/0001735 A1	1/2014	Yang et al.
7,547,037 B2	6/2009	Poppinga et al.	2014/0196968 A1	7/2014	Bieler et al.
7,562,897 B1	7/2009	Sherman et al.	2014/0353945 A1	12/2014	Young et al.
7,584,985 B2	9/2009	You et al.	2015/0035258 A1	2/2015	Chen et al.
			2015/0053042 A1	2/2015	Shirakawa et al.

(56)

References Cited

U.S. PATENT DOCUMENTS

2015/0084298	A1	3/2015	Herlitz et al.	
2015/0145224	A1	5/2015	Zhu	
2015/0151771	A1	6/2015	Jin et al.	
2016/0347338	A1	12/2016	Vargas, II et al.	
2017/0015340	A1	1/2017	Fitzwater et al.	
2017/0021850	A1*	1/2017	Bowman	B62B 3/007
2017/0066463	A1*	3/2017	Wang	B62B 3/022
2017/0259838	A1*	9/2017	Choi	B62B 3/007
2018/0297622	A1*	10/2018	Chen	B62B 3/025
2018/0327011	A1*	11/2018	Horowitz	B62B 3/02
2018/0354536	A1*	12/2018	Sun	B62B 3/007

FOREIGN PATENT DOCUMENTS

JP	2010184696	8/2010
TW	M288510	3/2006
WO	2017011724	1/2017

OTHER PUBLICATIONS

International Search Report for International Patent Application No.
PCT/US2016/042421, dated Oct. 6, 2016.

* cited by examiner

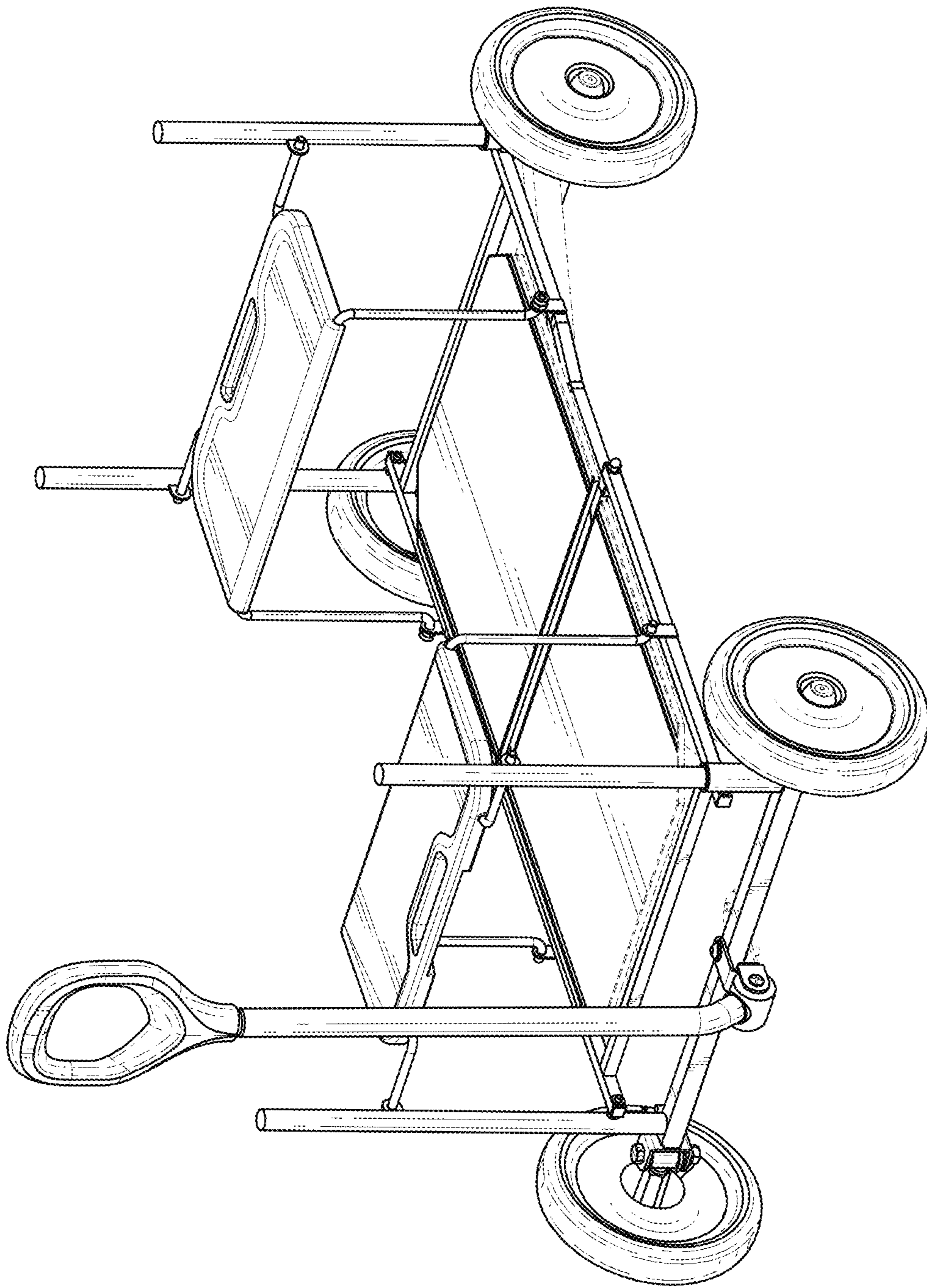


FIG. 1

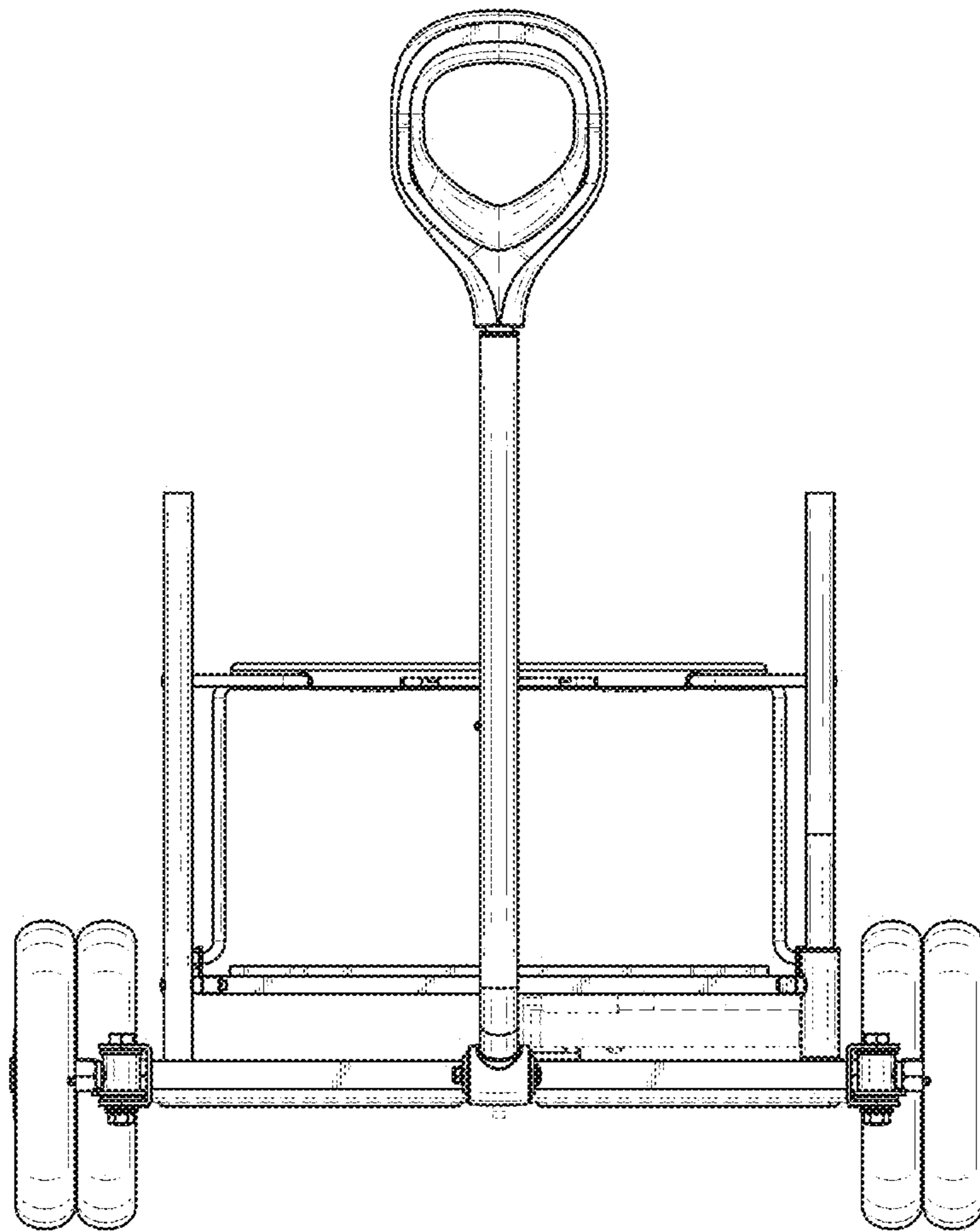


FIG. 2

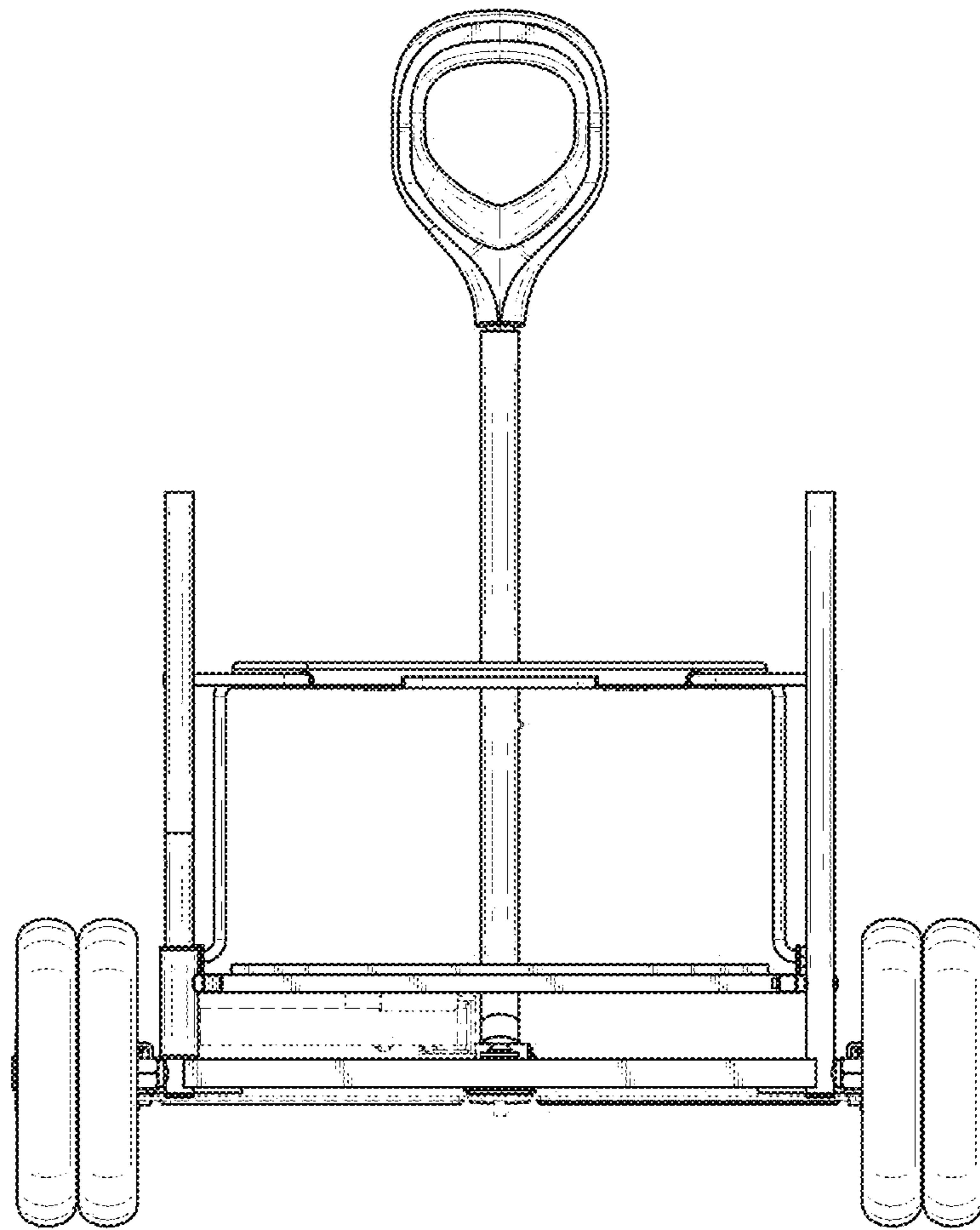


FIG. 3

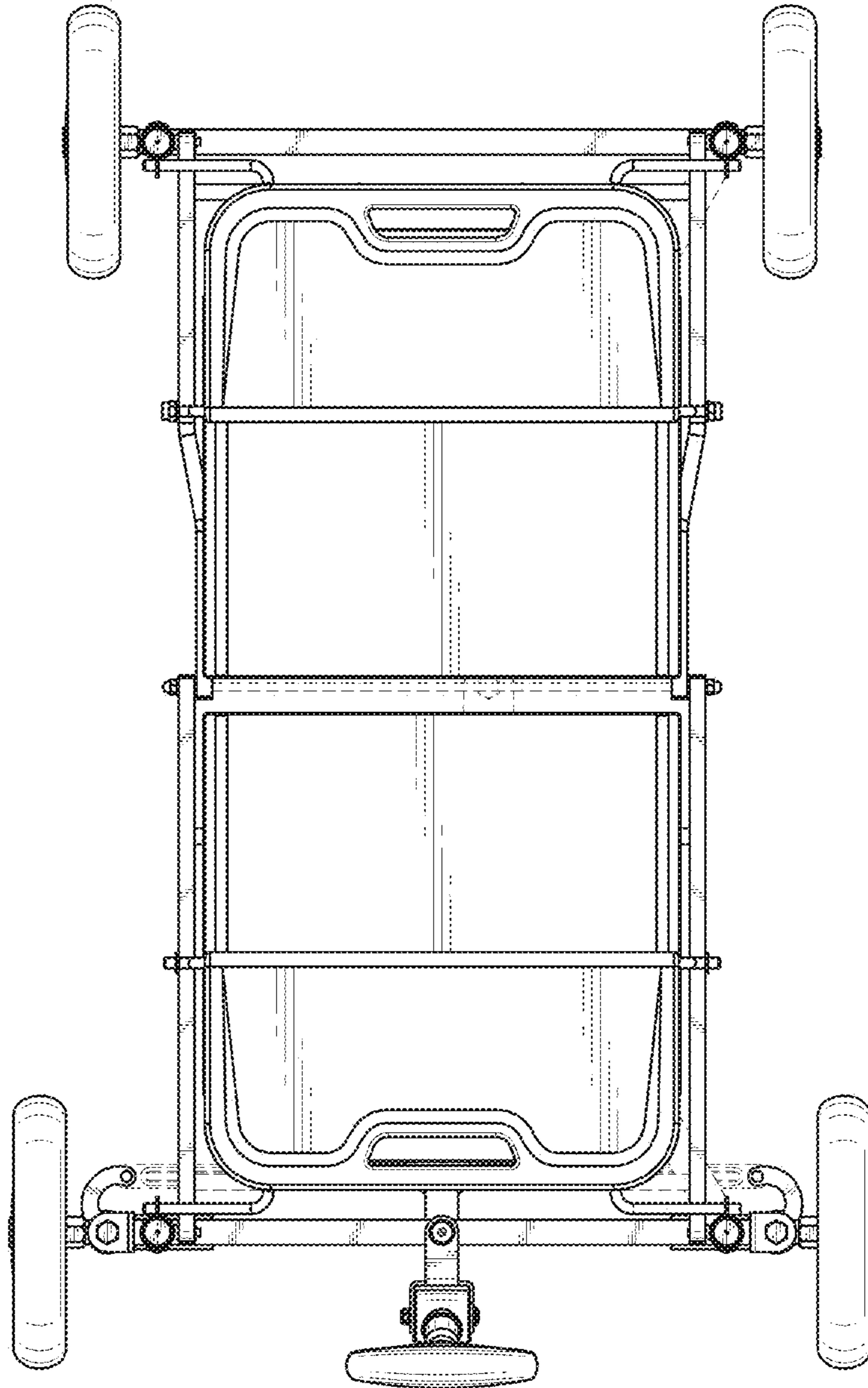


FIG. 4

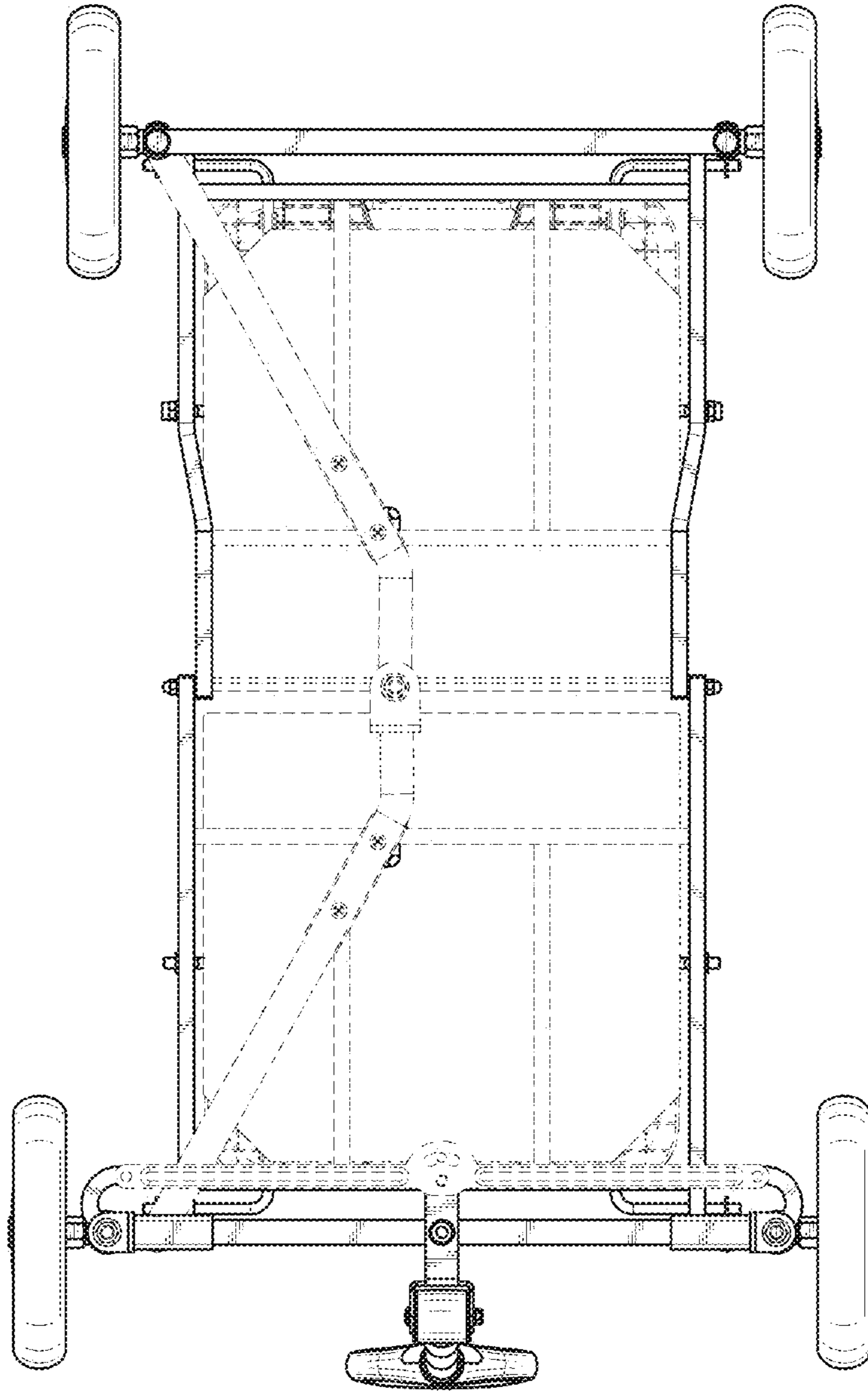


FIG. 5

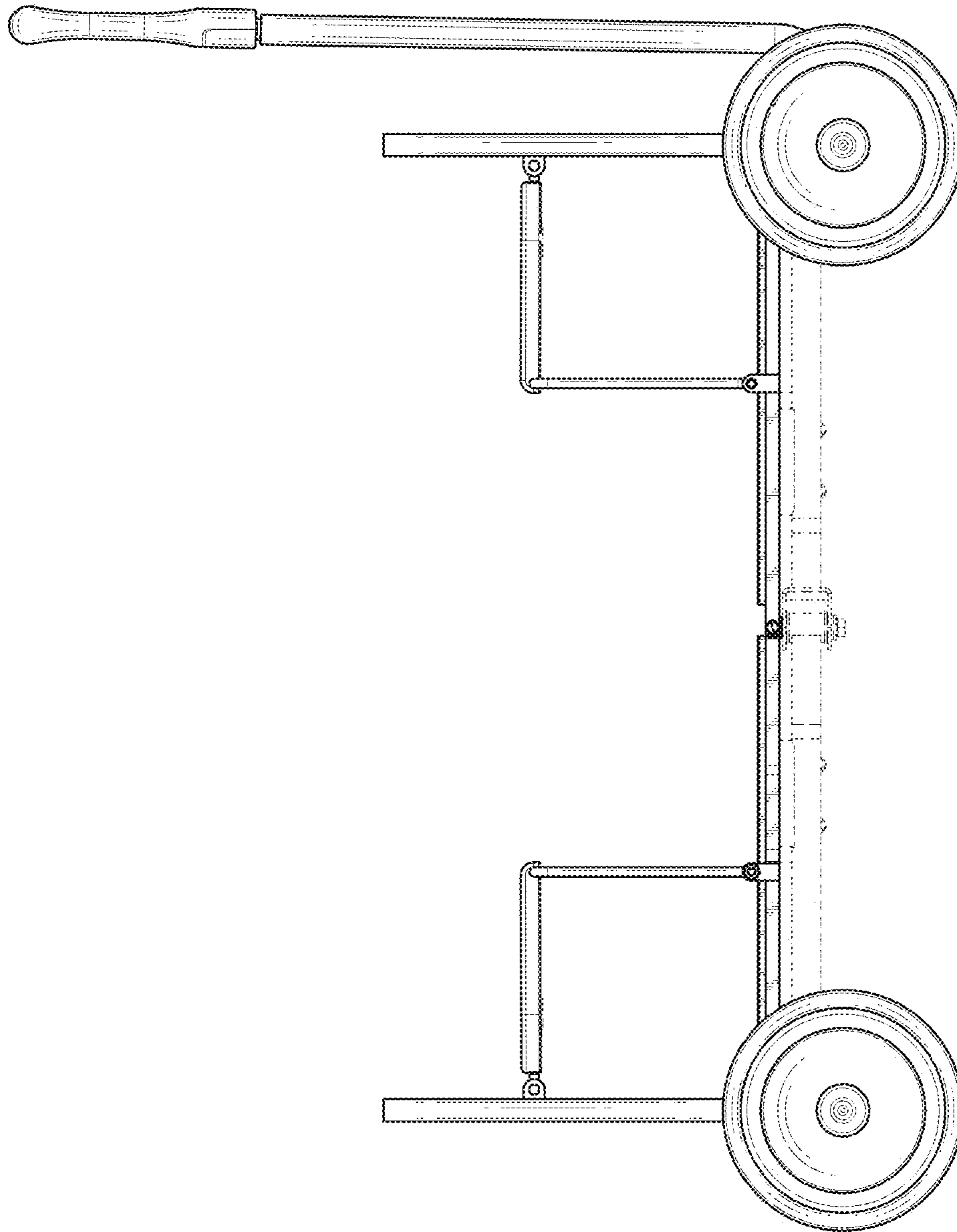


FIG. 6

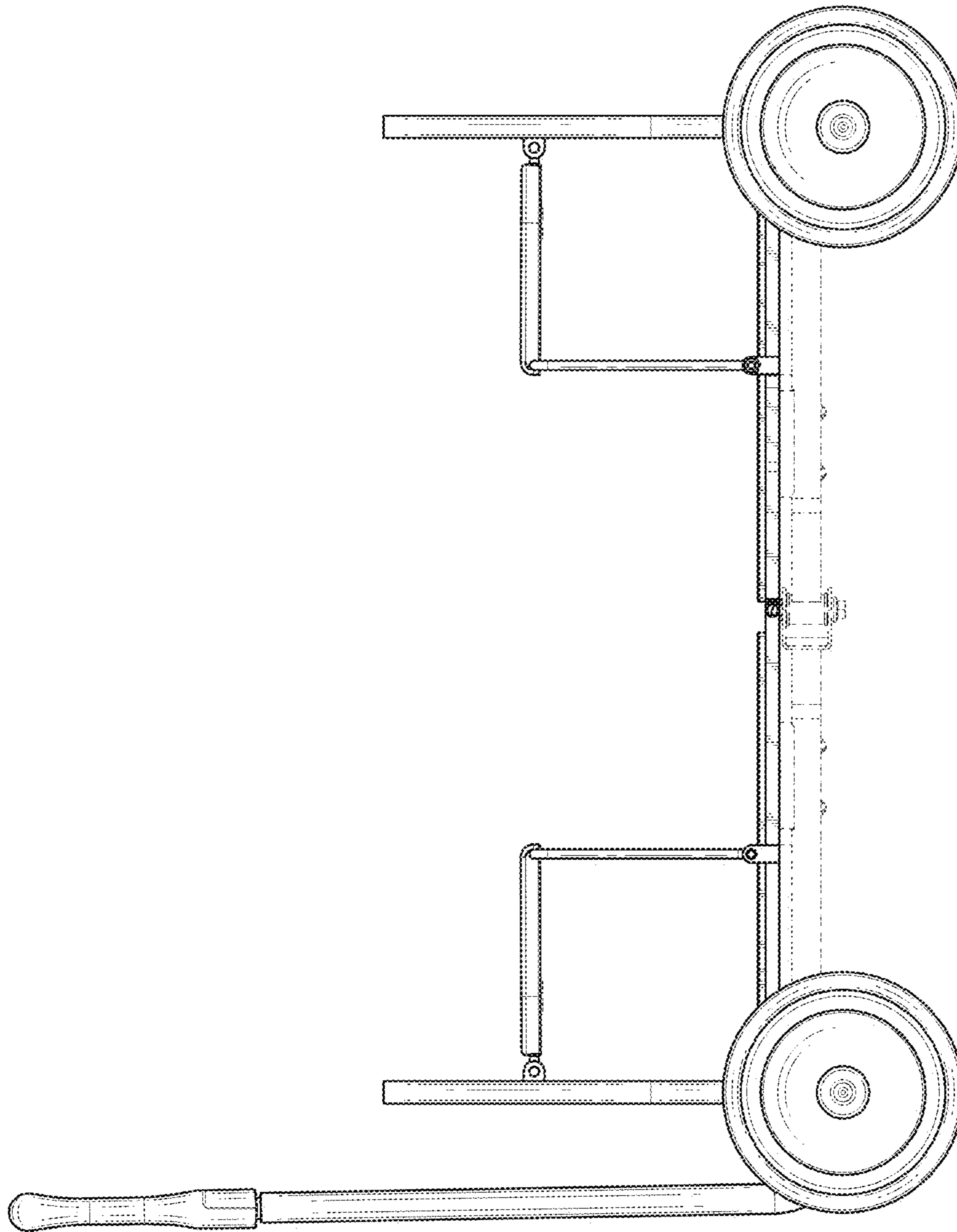


FIG. 7