



US00D879883S

(12) **United States Design Patent** (10) **Patent No.:** **US D879,883 S**
Lewis et al. (45) **Date of Patent:** **** Mar. 31, 2020**

(54) **BUTTON PANEL**
(71) Applicant: **AGS LLC**, Las Vegas, NV (US)
(72) Inventors: **Rachel Calhoun Lewis**, Atlanta, GA (US); **Wei Gu**, Daly City, CA (US); **Ariel David Turgel**, San Francisco, CA (US)
(73) Assignee: **AGS LLC**, Las Vegas, NV (US)

5,500,643 A * 3/1996 Grant G06F 3/0219
341/22
D372,027 S * 7/1996 Tomoike D14/148
D380,759 S * 7/1997 Lin D14/215
D388,085 S * 12/1997 Diamantis D14/149
D390,211 S * 2/1998 Yates D14/390
D392,622 S * 3/1998 Lee D14/365
D394,833 S * 6/1998 Muth D12/187
D398,910 S * 9/1998 Suzuki D14/366
D400,867 S * 11/1998 Chen D14/352
D401,235 S * 11/1998 Fuke D14/149
D404,724 S * 1/1999 Brunner D14/352

(**) Term: **15 Years**

(21) Appl. No.: **29/611,757**
(22) Filed: **Jul. 25, 2017**
(51) **LOC (12) Cl.** **21-03**
(52) **U.S. Cl.**
USPC **D21/369**
(58) **Field of Classification Search**
USPC D14/388, 389, 390, 318, 341, 342, 346,
D14/356, 130, 218, 454, 455, 299, 371,
D14/374, 378, 496, 432, 434, 457, 458,
D14/215, 216, 217, 219, 221, 302, 304,
D14/307, 900, 901, 902, 399; D21/324,
D21/325, 329, 333, 334, 369, 370, 371,
D21/385, 331; D13/162, 164, 168;
D10/46, 61, 65; D19/59-61, 113;
D20/1, 8, 9; D18/50, 14, 53, 54.1, 55;
D5/4, 7, 59, 60, 61, 63, 99
CPC .. G07F 17/32; G07F 17/3202; G07F 17/3204;
G07F 17/3248; G07F 17/42; G07F 17/26;
G07F 9/003; G07F 9/08; G07F 9/10
See application file for complete search history.

(Continued)

OTHER PUBLICATIONS

AGS Orion Premium Cabinet Formally Launches, Surpasses Performance and Sales Expectations. playags.com. (Online) 6 pgs. Posted Jul. 19, 2017, released to the public as early as May 2017. [Retrieved on Jan. 10, 2019] http://playags.com/ags-orion-premium-cabinet-formally-launches-surpasses-performance-sales-expectatio.*

(Continued)

Primary Examiner — Marie D. Fast Horse
(74) *Attorney, Agent, or Firm* — Weide & Miller, Ltd.

(57) **CLAIM**

The ornamental design for a button panel, as shown and described.

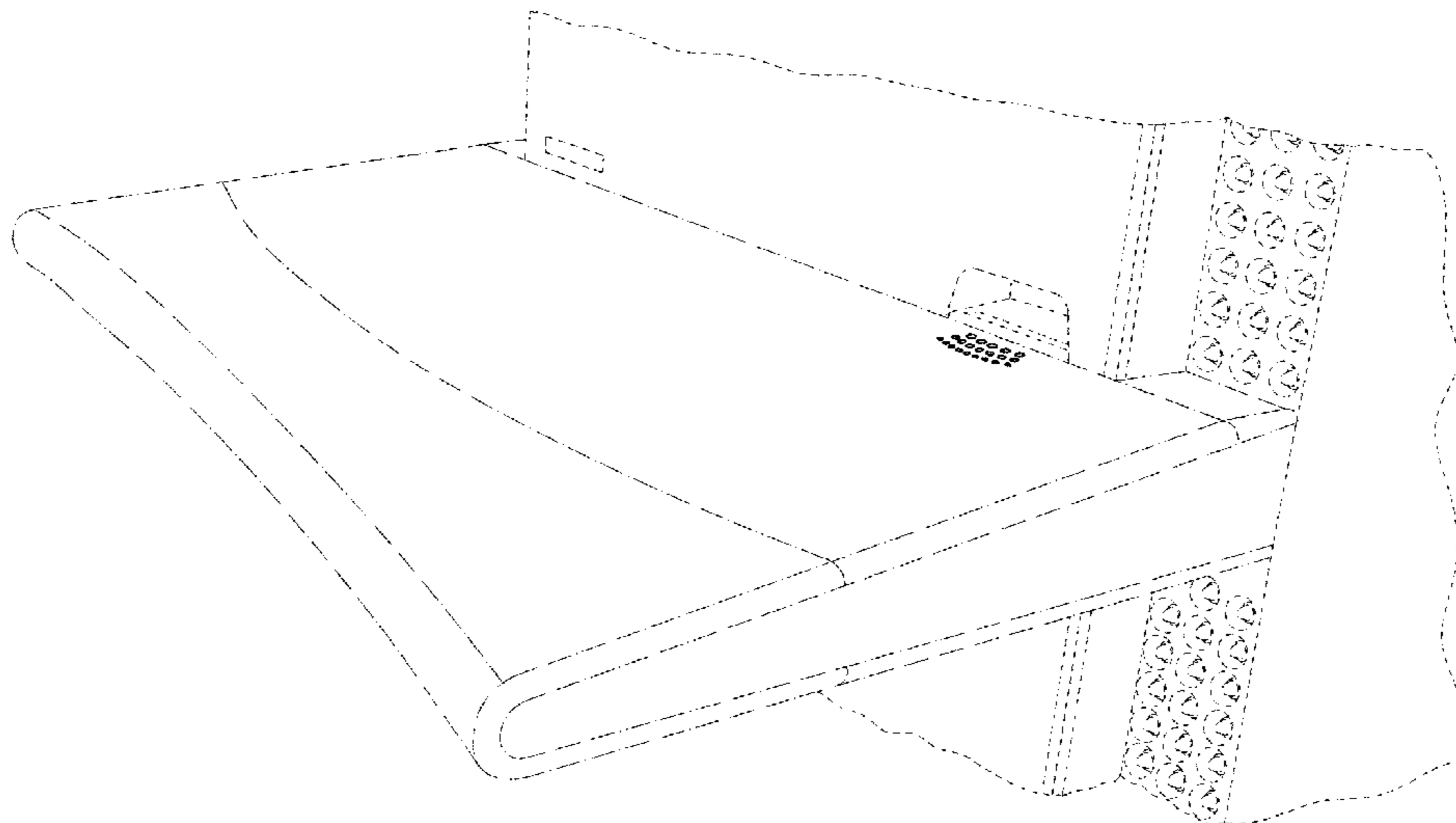
DESCRIPTION

FIG. 1 is an isometric view of a button panel in accordance with the invention; and, FIG. 2 is top plan view thereof. The dash-dash broken lines depict portions of the button panel that form no part of the claim, while all other broken lines depict the environmental gaming machine structure and form no part of the claim. The surface shown between the solid lines and the broken lines forms no part of the claim.

1 Claim, 1 Drawing Sheet

(56) **References Cited**
U.S. PATENT DOCUMENTS

D249,794 S * 10/1978 Howe D14/901
D333,814 S * 3/1993 Swanson D14/390
D336,053 S * 6/1993 Hayes D14/390
D340,915 S * 11/1993 Kawase D14/390



(56)

References Cited

U.S. PATENT DOCUMENTS

- D409,540 S * 5/1999 Muth D12/187
D421,631 S * 3/2000 Tsuda D21/329
D426,507 S * 6/2000 Todd D12/188
D426,831 S * 6/2000 Hu D14/348
D427,128 S * 6/2000 Mathieu D12/189
D428,373 S * 7/2000 Todd D12/188
D428,447 S * 7/2000 Tang D21/329
D430,088 S * 8/2000 Todd D12/188
D431,708 S * 10/2000 McCormack D14/900
D435,547 S * 12/2000 Reed D14/250
D436,380 S * 1/2001 Brettschneider D21/325
D448,053 S * 9/2001 Brettschneider D21/370
D449,080 S * 10/2001 Brettschneider D21/370
D451,150 S * 11/2001 Hedrick D21/370
D451,152 S * 11/2001 Hedrick D21/370
D454,920 S * 3/2002 Luciano D21/385
D462,954 S * 9/2002 Chen D14/299
D483,770 S * 12/2003 Lum D14/455
D494,225 S * 8/2004 Seelig D21/370
D503,402 S * 3/2005 Su D14/388
D508,719 S * 8/2005 de Haas D21/369
D511,159 S * 11/2005 Su D14/300
D528,991 S * 9/2006 Katsuyama D13/168
D539,354 S * 3/2007 Mak D21/329
D541,288 S * 4/2007 Lam D14/455
D548,246 S * 8/2007 Aoki D14/496
D552,054 S * 10/2007 Pena Angarita D14/496
D555,143 S * 11/2007 Chou D14/151
D564,034 S * 3/2008 Morrow D21/369
D564,598 S * 3/2008 Morrow D21/369
D569,390 S * 5/2008 Lee D14/496
D577,078 S * 9/2008 Shimizu D21/385
D583,367 S * 12/2008 Chen D14/358
D586,866 S * 2/2009 Hsu D21/370
D622,323 S * 8/2010 De Viveiros Ortiz D21/369
D626,604 S * 11/2010 Bruzzese D21/385
D627,008 S * 11/2010 Bruzzese D21/385
D641,745 S * 7/2011 Griffin D14/247
D662,908 S * 7/2012 Dix D14/151
D662,909 S * 7/2012 Dix D14/151
D665,853 S * 8/2012 DeSimone D21/370
D667,007 S * 9/2012 Huang D14/240
D673,620 S * 1/2013 Johnson D21/369
D673,621 S * 1/2013 Johnson D21/369
D681,129 S * 4/2013 DeSimone D21/370
D684,637 S * 6/2013 Shelley D21/370
D684,638 S * 6/2013 Shelley D21/370
D684,639 S * 6/2013 Shelley D21/370
D685,033 S * 6/2013 Wudtke D21/370
D690,293 S * 9/2013 Wilson D14/307
D693,884 S * 11/2013 Galdini Ferrazoli D21/370
D697,503 S * 1/2014 Melanson D14/250
D698,777 S * 2/2014 Vaananen D14/307
D703,218 S * 4/2014 Hirano D14/455
D719,945 S * 12/2014 Chiang D14/250
D721,766 S * 1/2015 Ferrazoli D21/370
D723,626 S * 3/2015 Vasquez D21/370
D740,778 S * 10/2015 Ookawa D14/149
D740,887 S * 10/2015 Randazzo D21/370
D751,515 S * 3/2016 Paredes D13/168
D755,657 S * 5/2016 Xu D10/104.1
D760,846 S * 7/2016 Castro D21/385
D771,564 S * 11/2016 Shin D13/108
D777,728 S * 1/2017 Garcia D14/455
D797,714 S * 9/2017 Kim D14/248
D798,849 S * 10/2017 Ookawa D14/248
D803,323 S * 11/2017 Bussey D21/369
D803,324 S * 11/2017 Bussey D21/370
D808,467 S * 1/2018 Huang D21/369
D812,145 S * 3/2018 Huang D21/369
D813,868 S * 3/2018 Jou D14/390
D818,048 S * 5/2018 Calhoun D21/369
D820,915 S * 6/2018 Lee D21/369
D822,766 S * 7/2018 Costa D21/325
D826,338 S * 8/2018 Bussey D21/369
D833,534 S * 11/2018 Lee D21/369
D834,652 S * 11/2018 Lee D21/369
D837,112 S * 1/2019 Hamlin D12/187
D847,905 S * 5/2019 Lewis D21/369
D849,150 S * 5/2019 Gallagher D21/369
2002/0093136 A1 * 7/2002 Moody G07F 17/3248
273/139
2009/0124327 A1 * 5/2009 Caputo G07F 17/3248
463/20
2009/0179597 A1 * 7/2009 Salmon G02B 6/0008
315/313
2012/0064961 A1 * 3/2012 Vancura G07F 17/3213
463/20
2013/0084948 A1 * 4/2013 Watkins G07F 17/3276
463/23
2013/0090156 A1 * 4/2013 Oh G07F 17/3267
463/25
2014/0206432 A1 * 7/2014 Radek G07F 17/3209
463/25
2015/0031436 A1 * 1/2015 Suda G07F 17/3248
463/20
2015/0038216 A1 * 2/2015 Sprinkle G07F 17/3248
463/25
2015/0065227 A1 * 3/2015 Naylor G07F 17/32
463/25
2016/0148466 A1 * 5/2016 Pececnik G07F 17/3248
463/25
2017/0165573 A1 * 6/2017 Froy G07F 17/3248
2018/0018851 A1 * 1/2018 Devine G07F 17/3248
2018/0025588 A1 * 1/2018 Ma G07F 17/3248
463/20
2018/0286181 A1 * 10/2018 Craig G07F 17/3213
2018/0365928 A1 * 12/2018 Froy G07F 17/3248

OTHER PUBLICATIONS

- Imágenes Para Grabados Y Transferencias (Images for Recordings and Transfers). p. 8 and 11 of 11. Posted Jan. 24, 2011. [Retrieved on Jan. 10, 2019] <https://anabelchi.blogspot.com/2011/01/imagenes-para-grabados-y-transferencias.html>.
Bally, Alpha 2 Pro Wave, <https://www.sggaming.com/games/bally/alpha-2-pro-wave>, accessed Nov. 10, 2017, 2 pages.
Aristocrat Technologies, Arc Single, <http://www.aristocrat-us.com/arc-single>, accessed Nov. 10, 2017, 1 page.
Aristocrat Technologies, The Frame for the Game, <https://www.aristocrat.com/cabinets>, accessed Nov. 10, 2017, 12 pages.
Aristocrat Technologies, Helix+ Brochure, 6 pages.
IGT, CrystalCore® 42", <https://www.igt.com/products-and-services/gaming/cabinets/crystalcore-42>, accessed Nov. 10, 2017, 2 pages.
Screen shot of Youtube video "CrystalCurve™ Gaming Machine by IGT—Product Video", <https://www.youtube.com/watch?v=GYIpTQIUik>, uploaded on Jan. 12, 2017, 1 page.
IGT CrystalCurve™ Product Literature, copyright 2015, 14 pages.

* cited by examiner

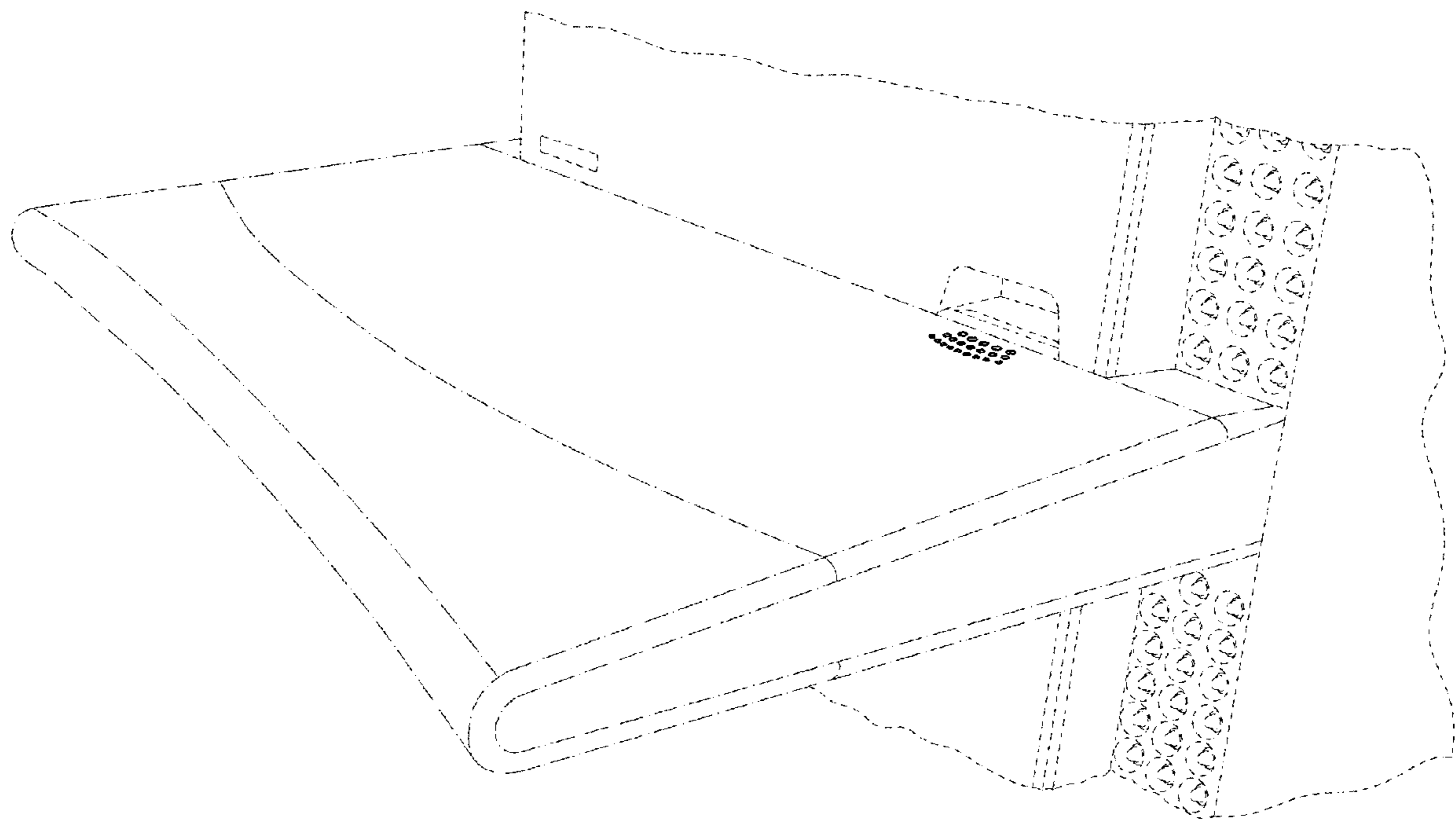


FIG. 1

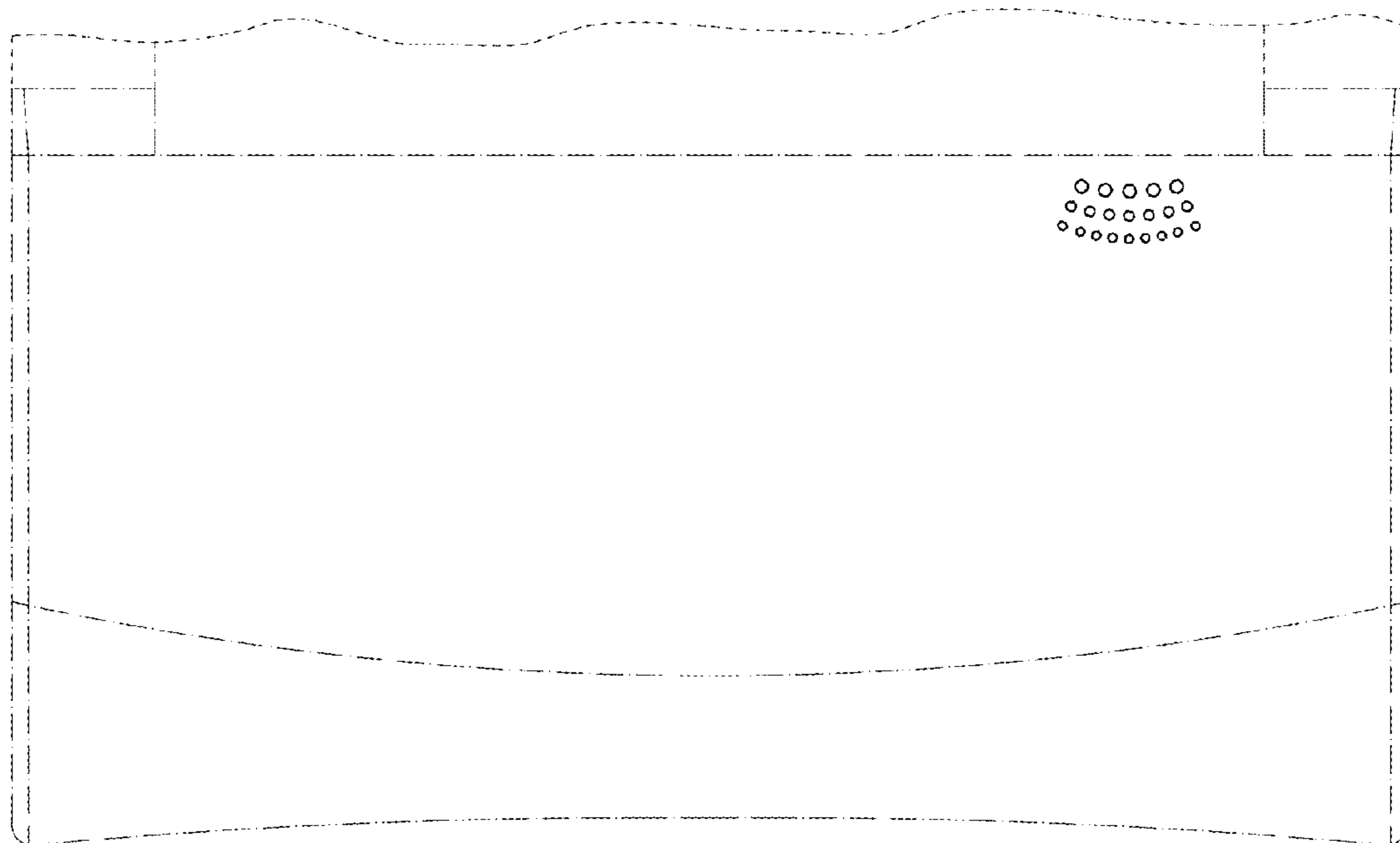


FIG. 2