



US00D879880S

(12) **United States Design Patent**  
**Abe**

(10) **Patent No.:** **US D879,880 S**

(45) **Date of Patent:** **\*\* \*Mar. 31, 2020**

(54) **CONTROLLER FOR GAME DEVICE**

(71) Applicant: **SEGA GAMES CO., LTD.**, Tokyo (JP)

(72) Inventor: **Nobutaka Abe**, Tokyo (JP)

(73) Assignee: **SEGA GAMES CO., LTD.**, Tokyo (JP)

(\*) Notice: This patent is subject to a terminal disclaimer.

(\*\*) Term: **15 Years**

(21) Appl. No.: **35/506,275**

(22) Filed: **Jun. 29, 2018**

(80) **Hague Agreement Data**

Int. Filing Date: **Jun. 29, 2018**

Int. Reg. No.: **DM/102168**

Int. Reg. Date: **Jun. 29, 2018**

Int. Reg. Pub. Date: **Jan. 4, 2019**

(30) **Foreign Application Priority Data**

Jan. 10, 2018 (JP) ..... 2018-000225

(51) **LOC (12) Cl.** ..... **21-01**

(52) **U.S. Cl.**  
USPC ..... **D21/333**

(58) **Field of Classification Search**

USPC ..... D22/100, 103-105, 109-111; D21/324,  
D21/328, 331, 333, 566, 572-574;  
D14/400-418, 426-431, 454-455, 203.3,  
D14/218, 300, 356, 383, 388, 399

CPC ..... A63F 9/02; A63F 9/0252; F41C 7/00-12  
See application file for complete search history.

(56) **References Cited**

**U.S. PATENT DOCUMENTS**

5,004,444 A \* 4/1991 Chih ..... A63H 5/04  
446/406

D524,871 S \* 7/2006 Nunokawa ..... D21/324

D541,806 S \* 5/2007 Wada ..... D14/418

D614,624 S *	4/2010	Zhang	.....	D14/418
D618,687 S *	6/2010	Ito	.....	D14/418
D646,281 S *	10/2011	Markowitz	.....	D14/418
D750,722 S *	3/2016	Young	.....	D22/103
D754,796 S *	4/2016	Sakai	.....	D14/418
D769,394 S *	10/2016	Young	.....	D22/103
D779,012 S *	2/2017	Abbott	.....	D22/103
D787,619 S *	5/2017	Young	.....	D22/103
D819,766 S *	6/2018	Farris	.....	D22/104
D845,302 S *	4/2019	Waldman	.....	A63H 5/04 D14/418

\* cited by examiner

*Primary Examiner* — George D. Kirschbaum

*Assistant Examiner* — Joseph J Kukella

(74) *Attorney, Agent, or Firm* — Fross Zelnick  
Lehrman & Zissu, P.C.; Charles T. J. Weigell, Esq.

(57) **CLAIM**

The ornamental design for a controller for game device, as shown and described.

**DESCRIPTION**

1. Controller for game device

1.1 : Perspective

1.2 : Front

1.3 : Back

1.4 : Top

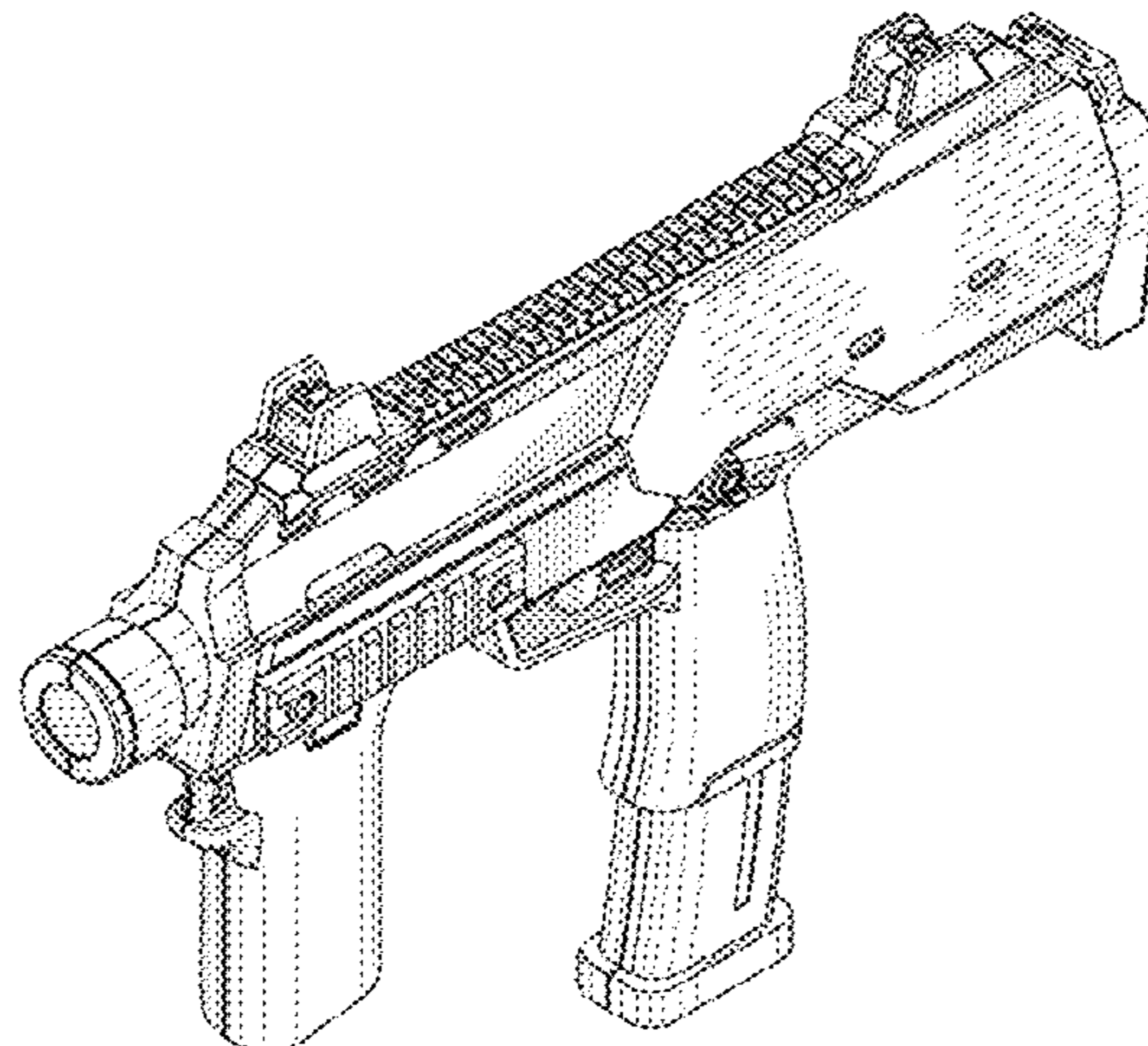
1.5 : Bottom

1.6 : Left

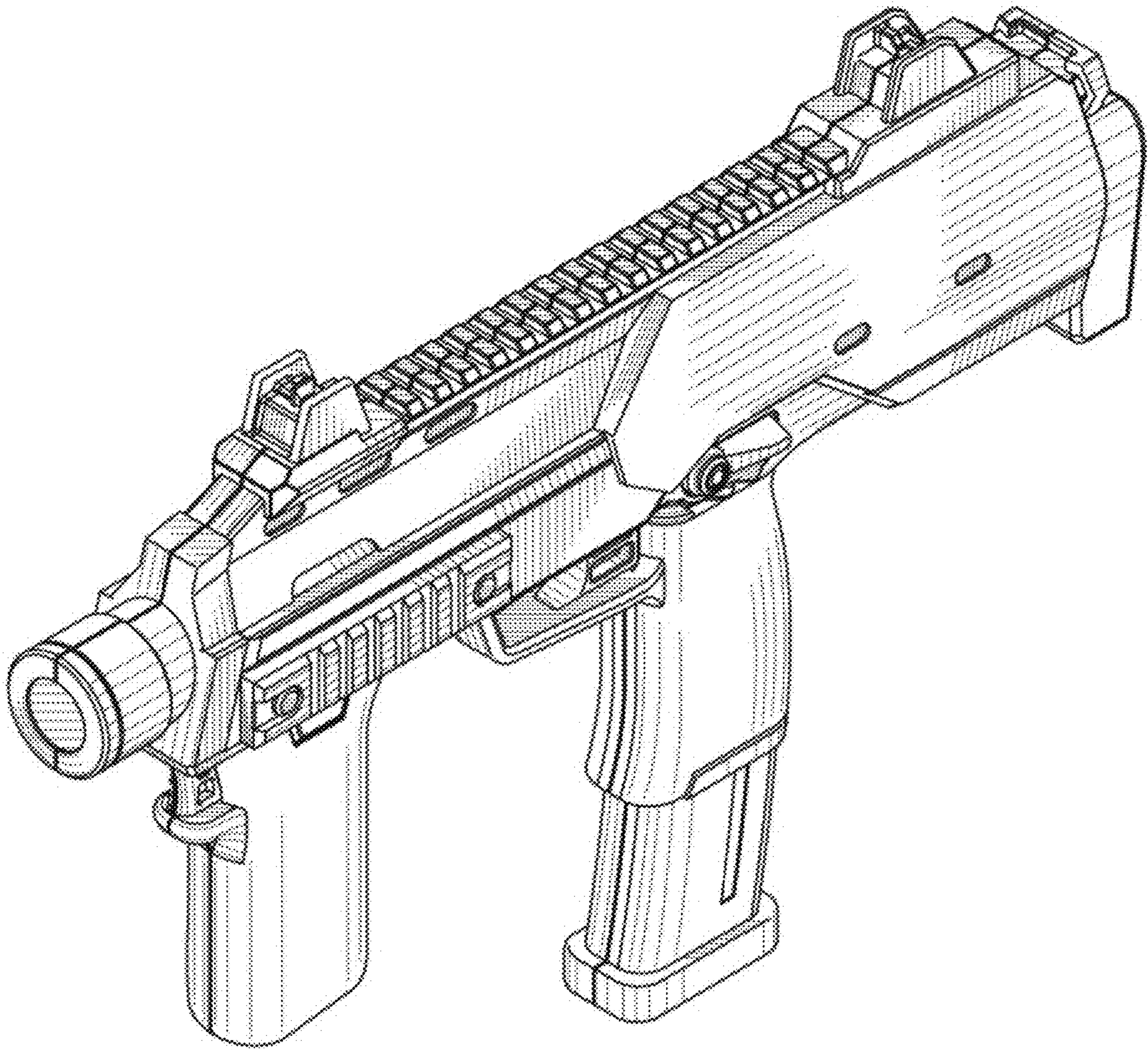
1.7 : Right

The thin lines in the representation represent contours only and do not illustrate an ornamentation or decoration on the surface of the product.

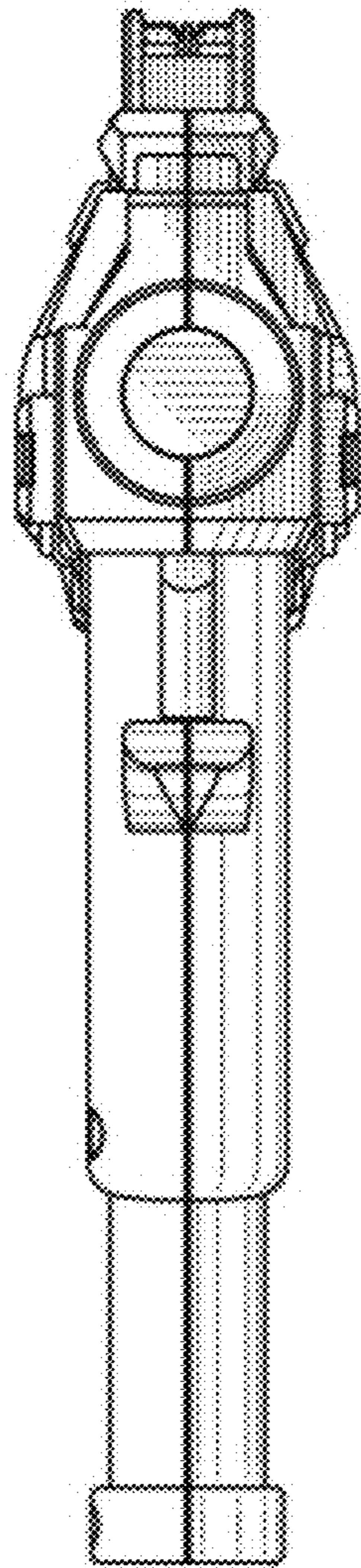
**1 Claim, 7 Drawing Sheets**



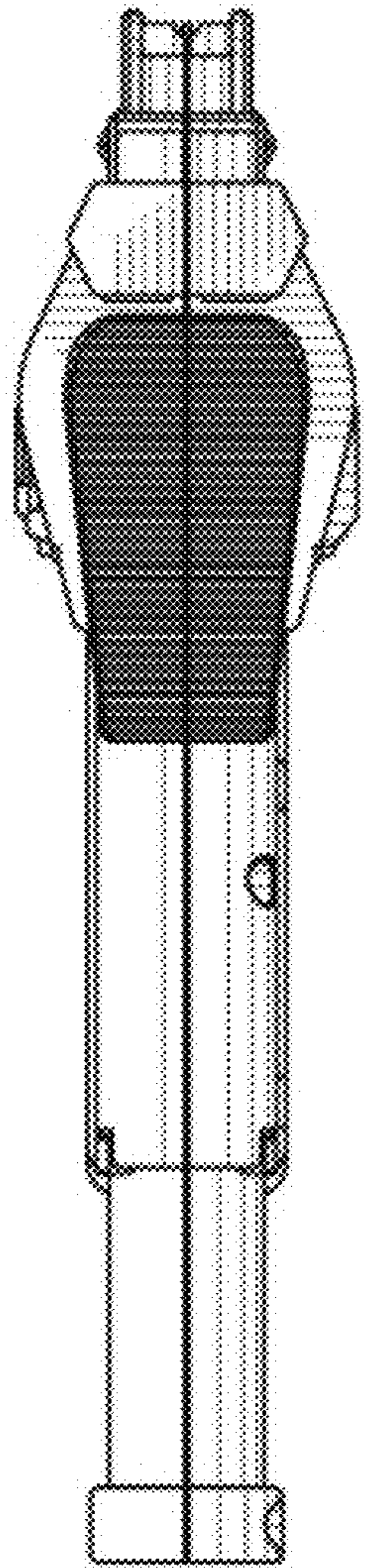
1.1



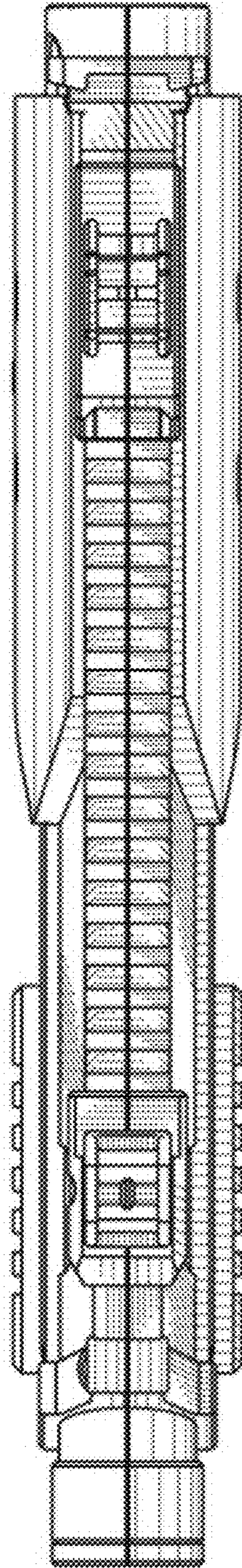
1.2



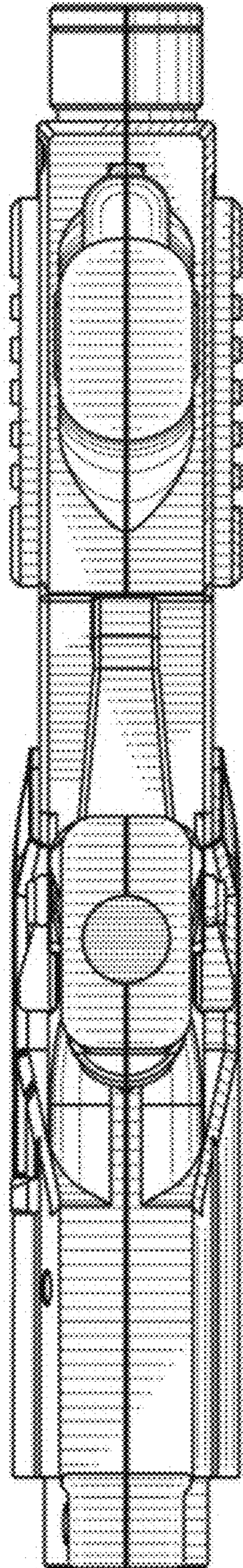
1.3



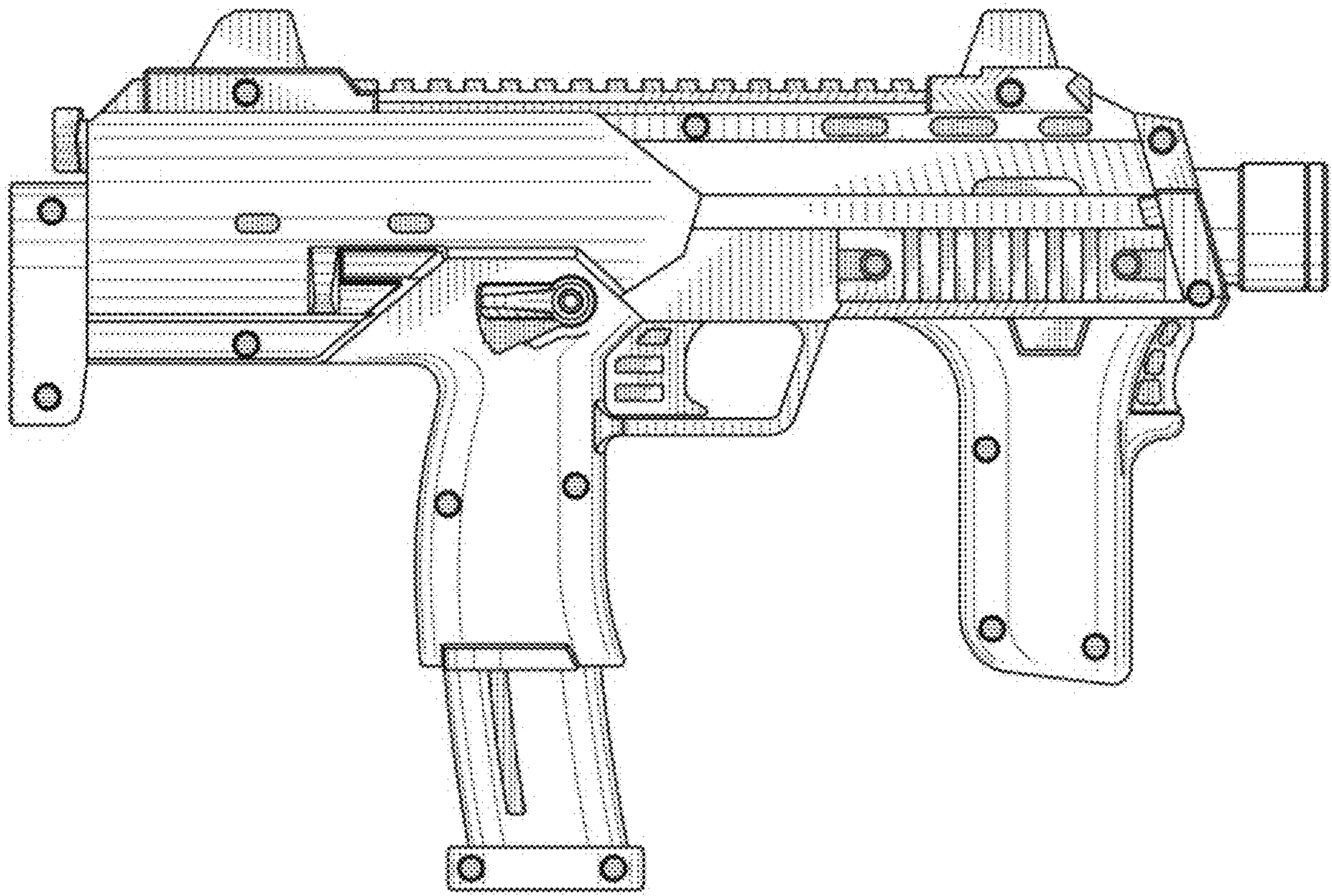
1.4



1.5



1.6



1.7

