



US00D879873S

(12) **United States Design Patent**
Takahashi et al.

(10) **Patent No.:** **US D879,873 S**
(45) **Date of Patent:** **** Mar. 31, 2020**

(54) **BANKNOTE HANDLING MACHINE**

(71) Applicant: **GLORY LTD.**, Himeji-shi, Hyogo (JP)

(72) Inventors: **Kenta Takahashi**, Hyogo (JP);
Takayuki Kuroda, Hyogo (JP)

(73) Assignee: **Glory Ltd.**, Himeji-Shi, Hyogo (JP)

(**) Term: **15 Years**

(21) Appl. No.: **29/668,375**

(22) Filed: **Oct. 30, 2018**

(30) **Foreign Application Priority Data**

May 16, 2018 (JP) 2018-010635

(51) **LOC (12) Cl.** **18-01**

(52) **U.S. Cl.**
USPC **D18/3.3; D18/3.1**

(58) **Field of Classification Search**
USPC D18/3.1, 3.3, 4.1, 4.4, 11, 12.1, 12.3,
D18/46-47, 59; D19/86; D14/302, 308,
D14/349; D99/28; D9/433, 685-686,
D9/692; D23/225-226
CPC .. G07D 11/00; G07D 11/009; G07D 11/0087;
G07D 11/50
See application file for complete search history.

(56) **References Cited**

U.S. PATENT DOCUMENTS

D579,482 S * 10/2008 Gaze D14/308
D590,870 S * 4/2009 Kuwada D18/3.1
D618,875 S 6/2010 Tougo et al.

D671,164 S 11/2012 Bleck et al.
9,189,909 B2 * 11/2015 Miki G07D 11/24
D766,540 S 9/2016 Lee et al.
D776,399 S 1/2017 Yeon et al.
D838,717 S * 1/2019 Quijano D14/349
10,204,469 B2 * 2/2019 Yokawa G07F 19/20
10,287,121 B2 * 5/2019 Oe B65H 7/20
10,339,745 B2 * 7/2019 Kuroda B65H 29/006
2017/0256113 A1 * 9/2017 Asada G07F 7/04

* cited by examiner

Primary Examiner — Barbara Fox

Assistant Examiner — J. Thorn, Sr.

(74) *Attorney, Agent, or Firm* — Renner, Kenner, Greive,
Bobak, Taylor & Weber

(57) **CLAIM**

The ornamental design for a banknote handling machine, as shown and described.

DESCRIPTION

FIG. 1 is a front, top, right side perspective view of a banknote handling machine showing our new design; FIG. 2 is a front elevational view thereof; FIG. 3 is a rear elevational view thereof; FIG. 4 is a left side elevational view thereof; FIG. 5 is a right side elevational view thereof; FIG. 6 is a top plan view thereof; FIG. 7 is a bottom plan view thereof; FIG. 8 is an enlarged view of portion A—A' thereof; FIG. 9 is an enlarged view of portion B—B' thereof; and, FIG. 10 is an enlarged view of portion C—C' thereof. The broken lines shown in the drawings depict portions of the banknote handling machine that form no part of the claimed design.

1 Claim, 10 Drawing Sheets

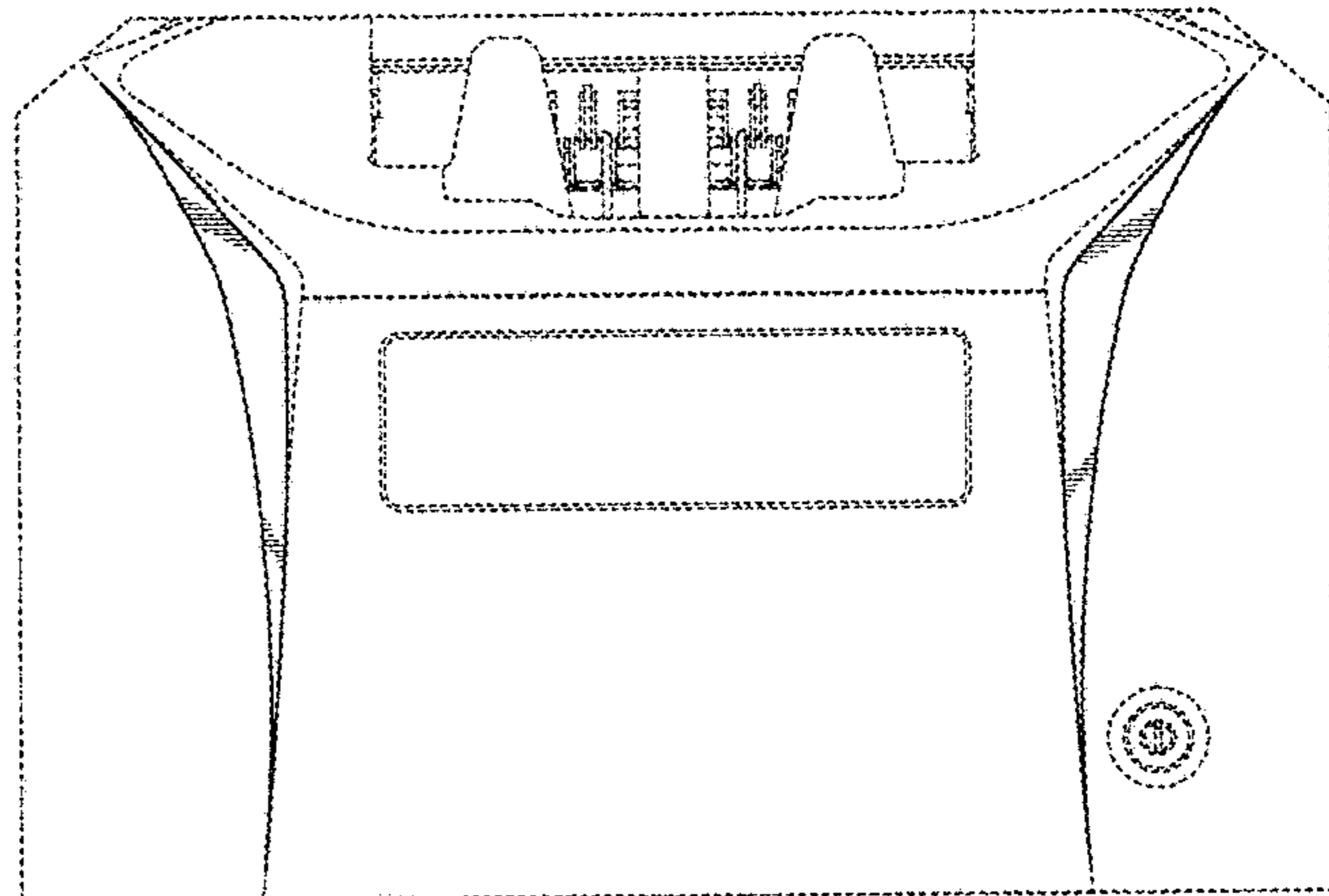
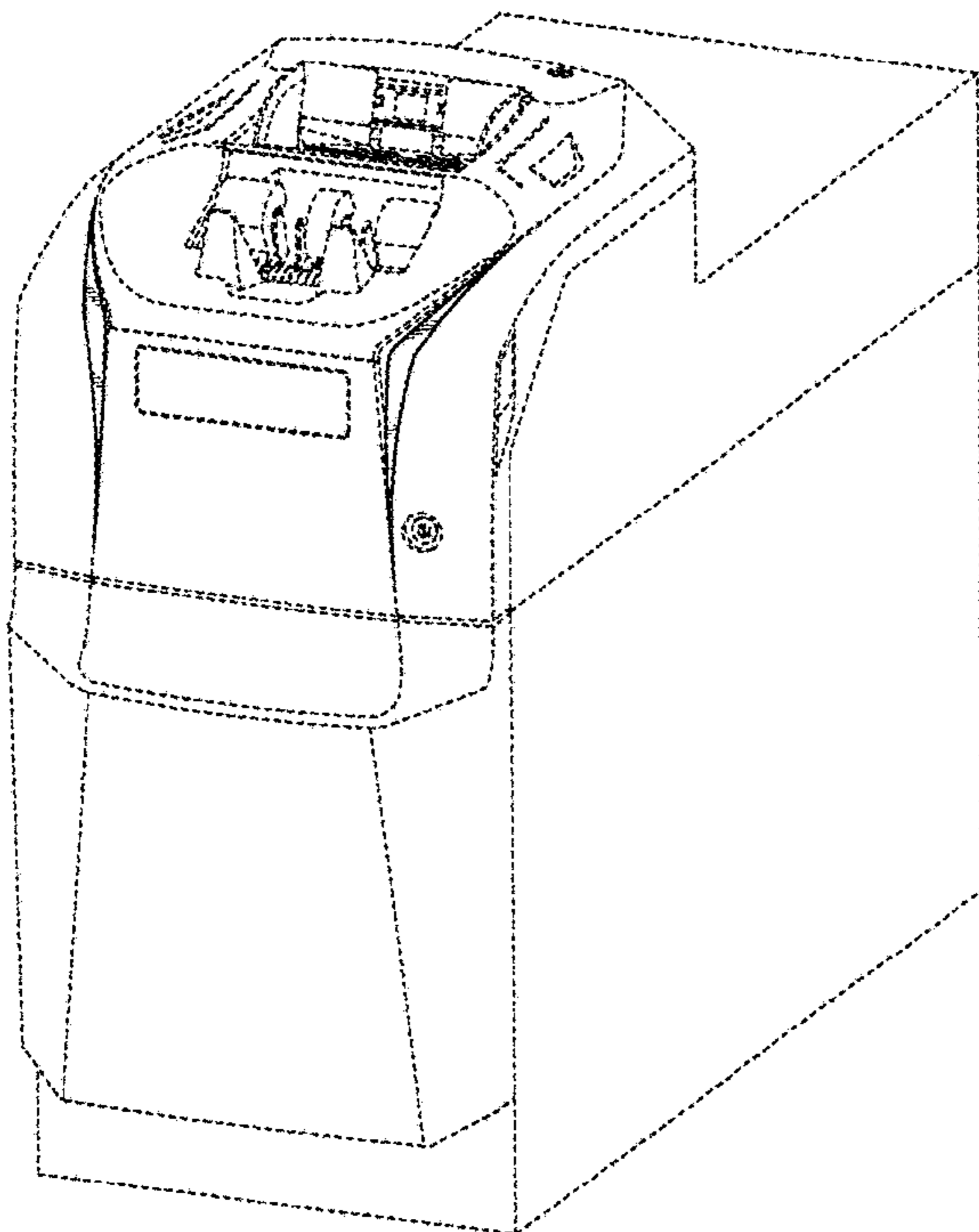


FIG. 1

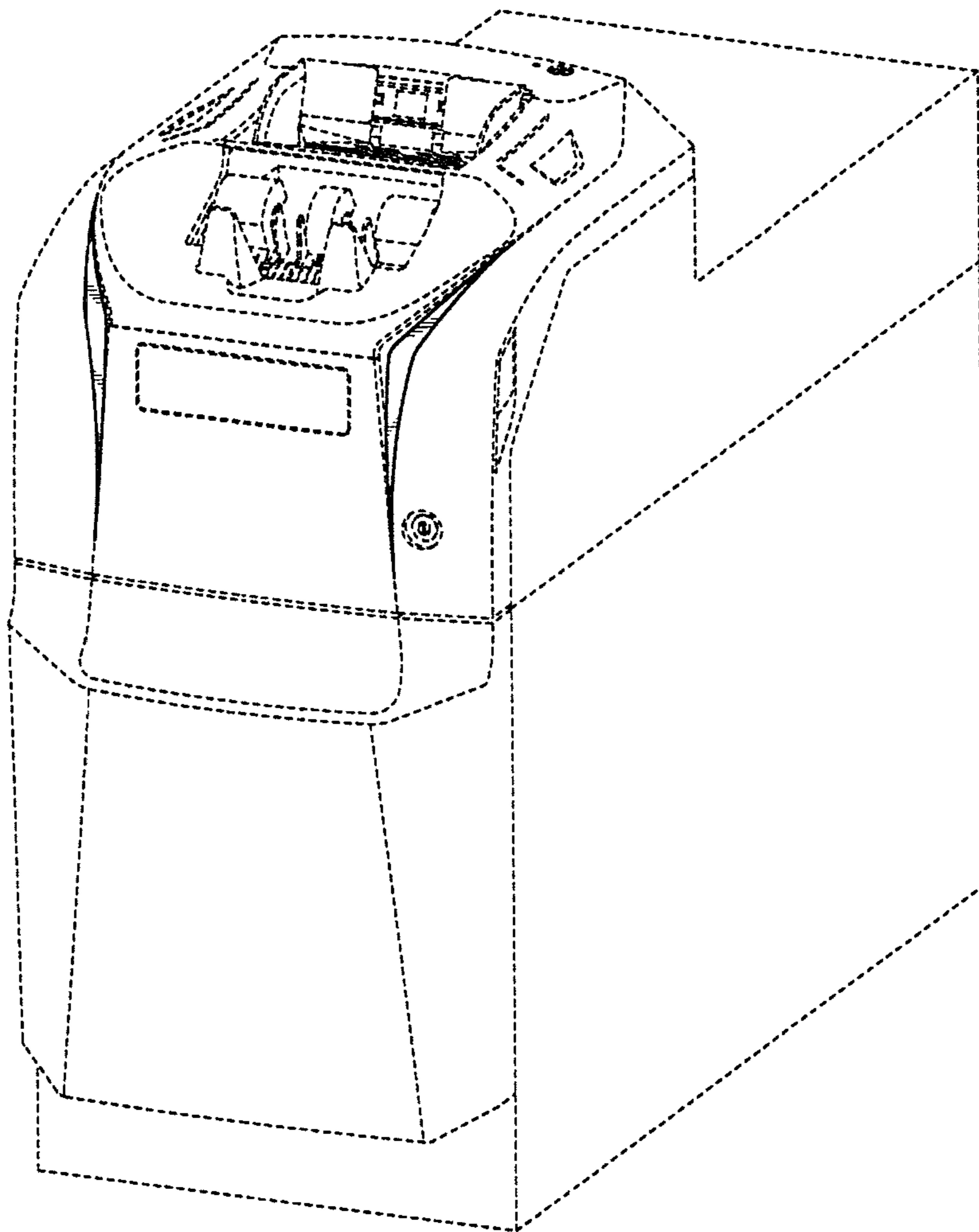


FIG.2

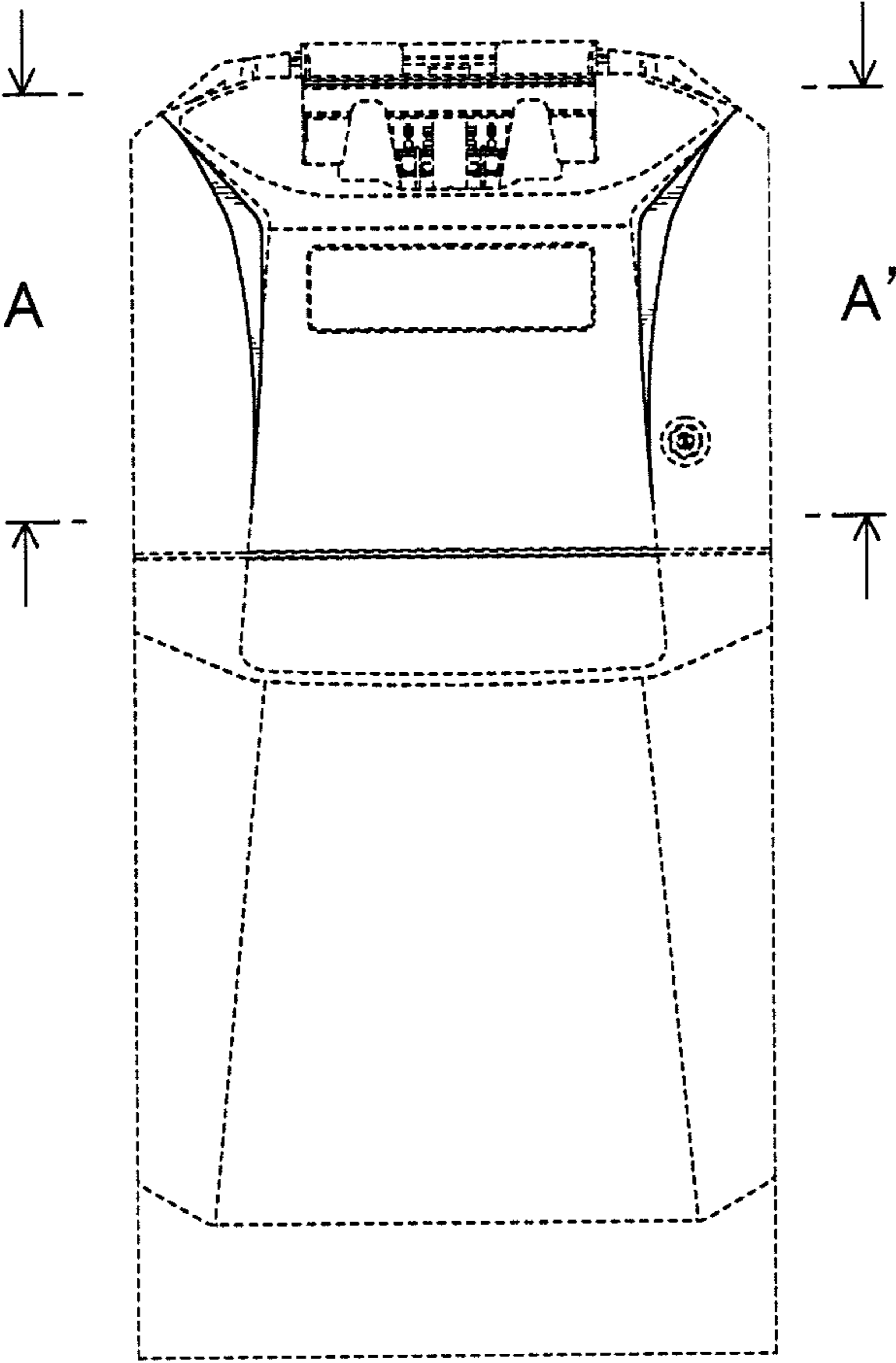


FIG.3

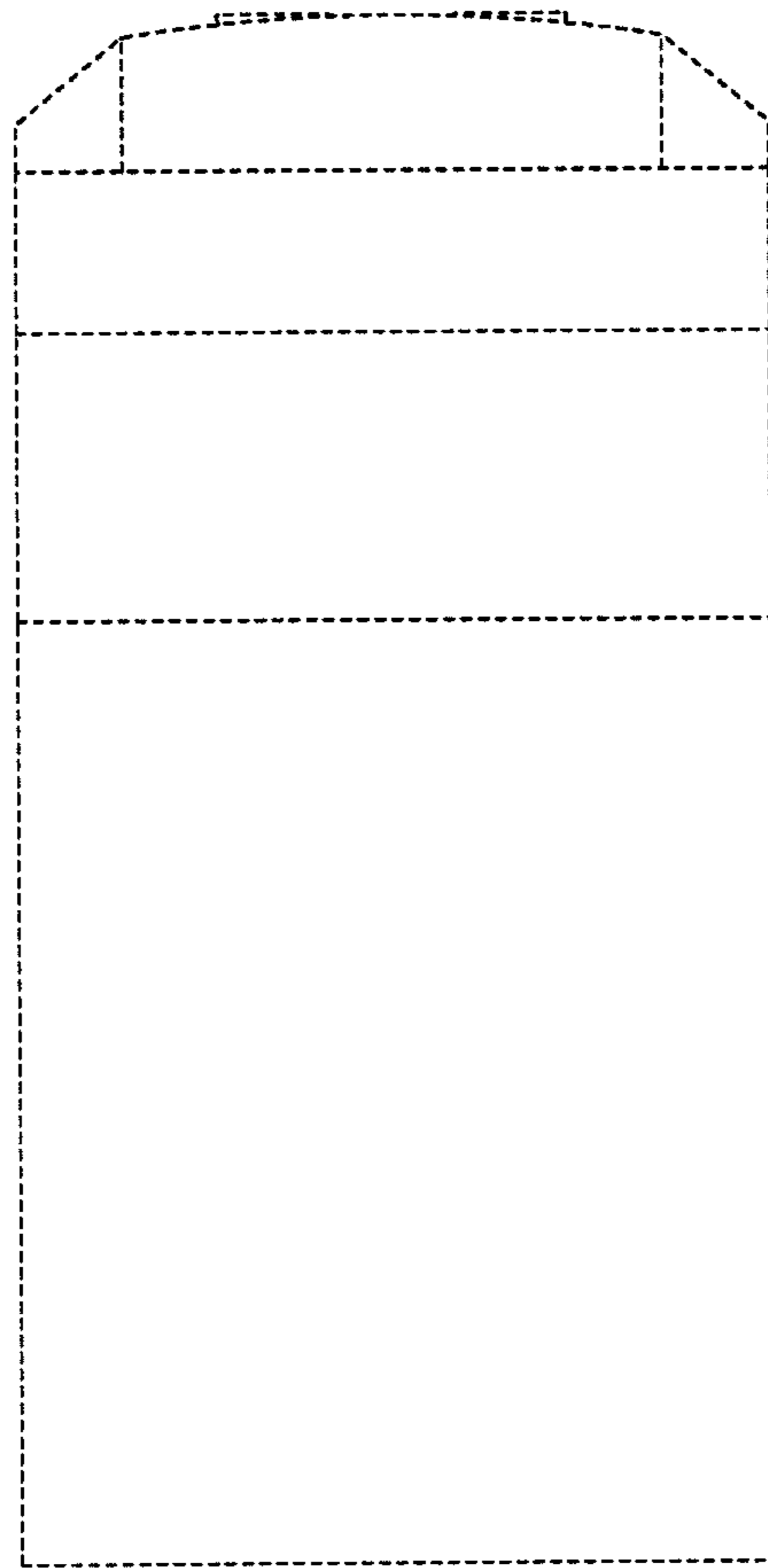


FIG.4

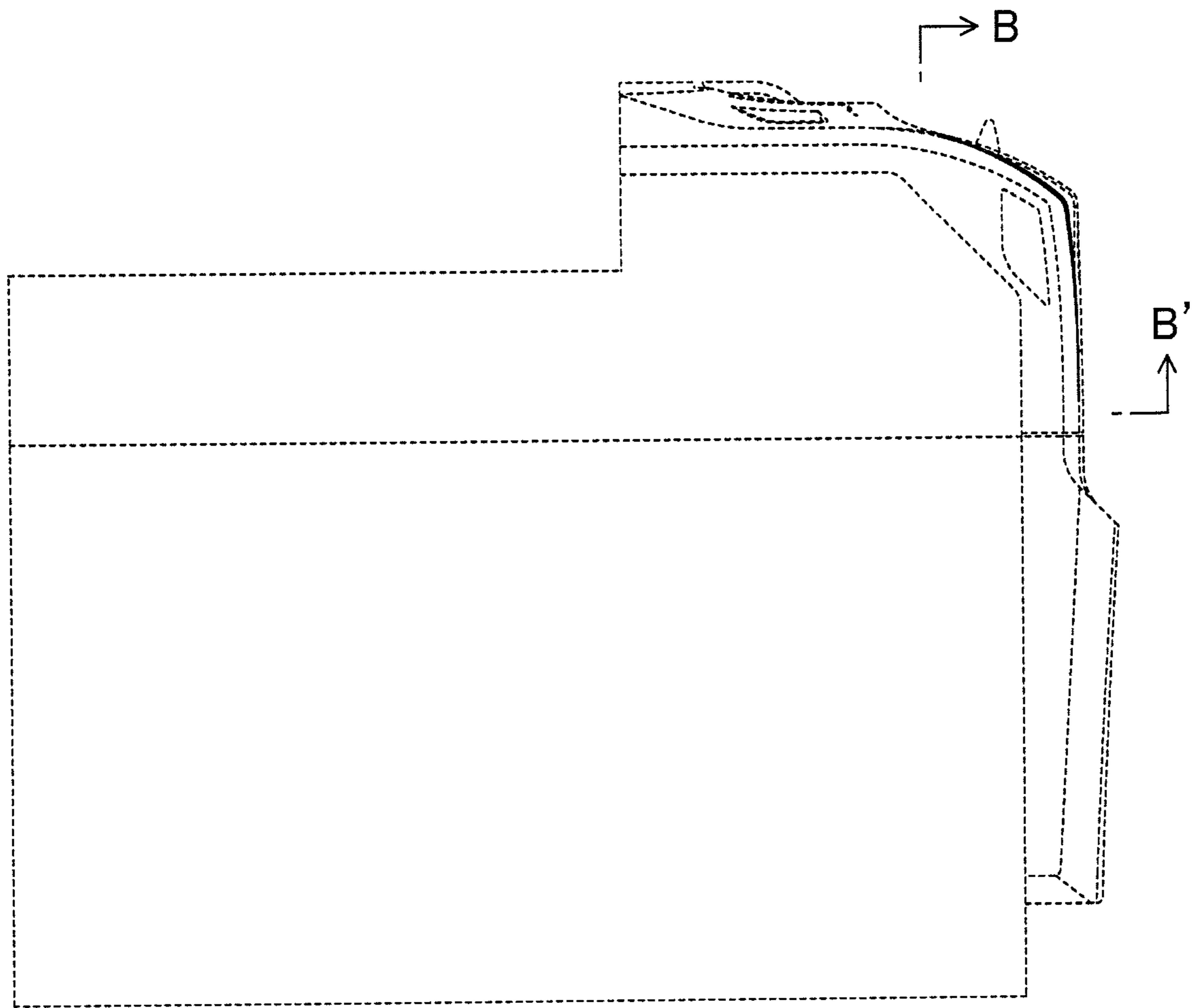


FIG.5

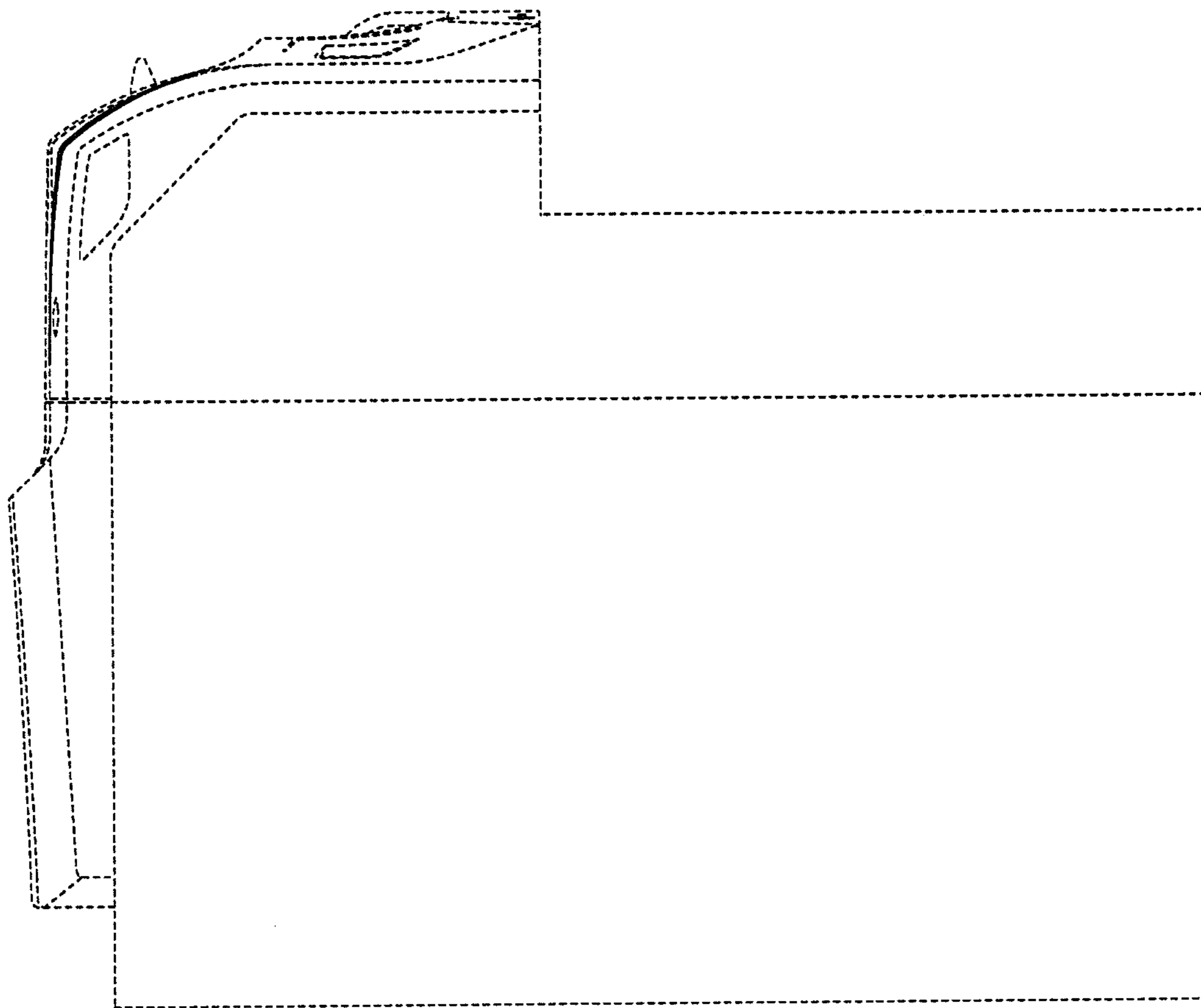


FIG.6

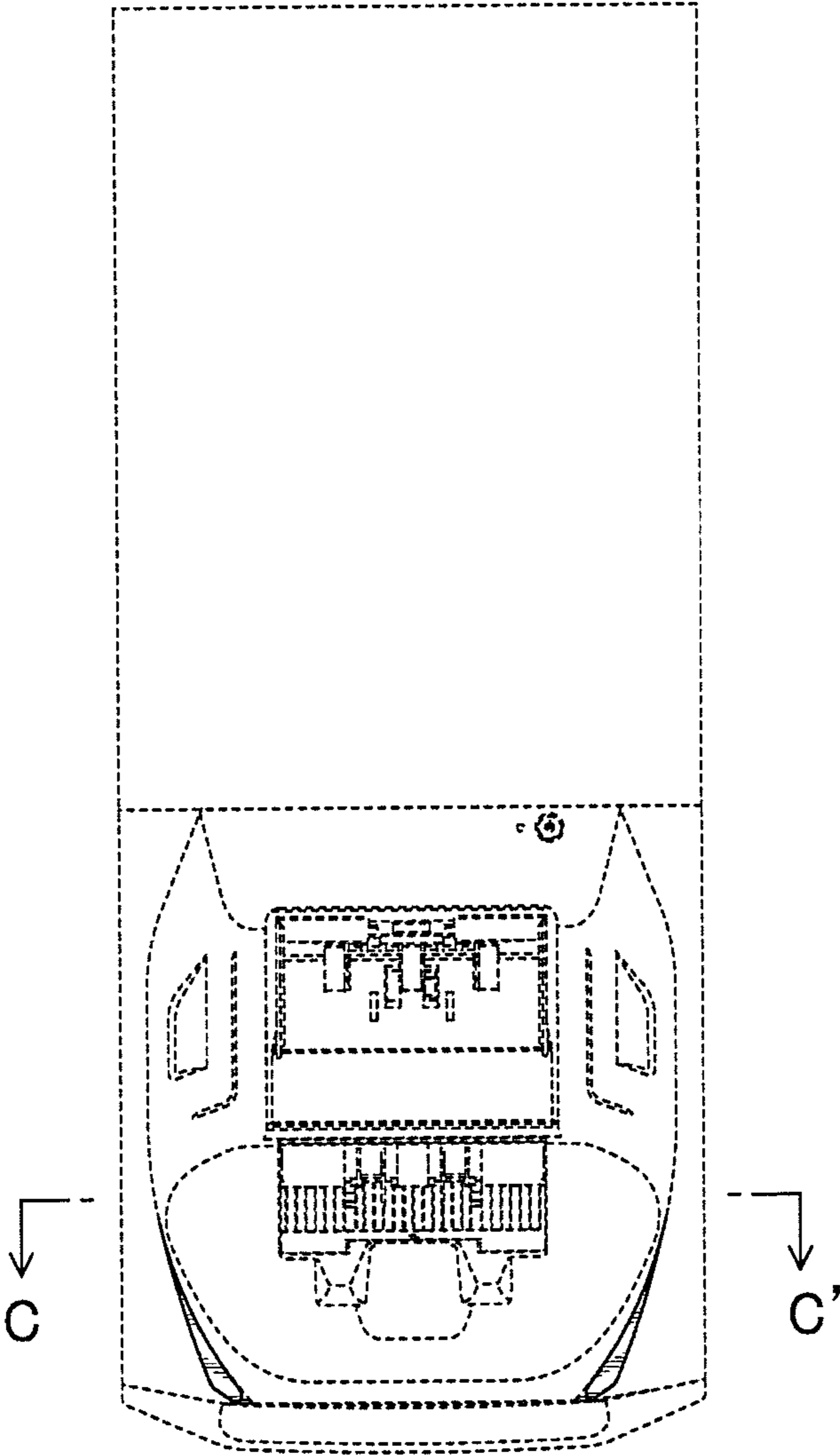


FIG. 7

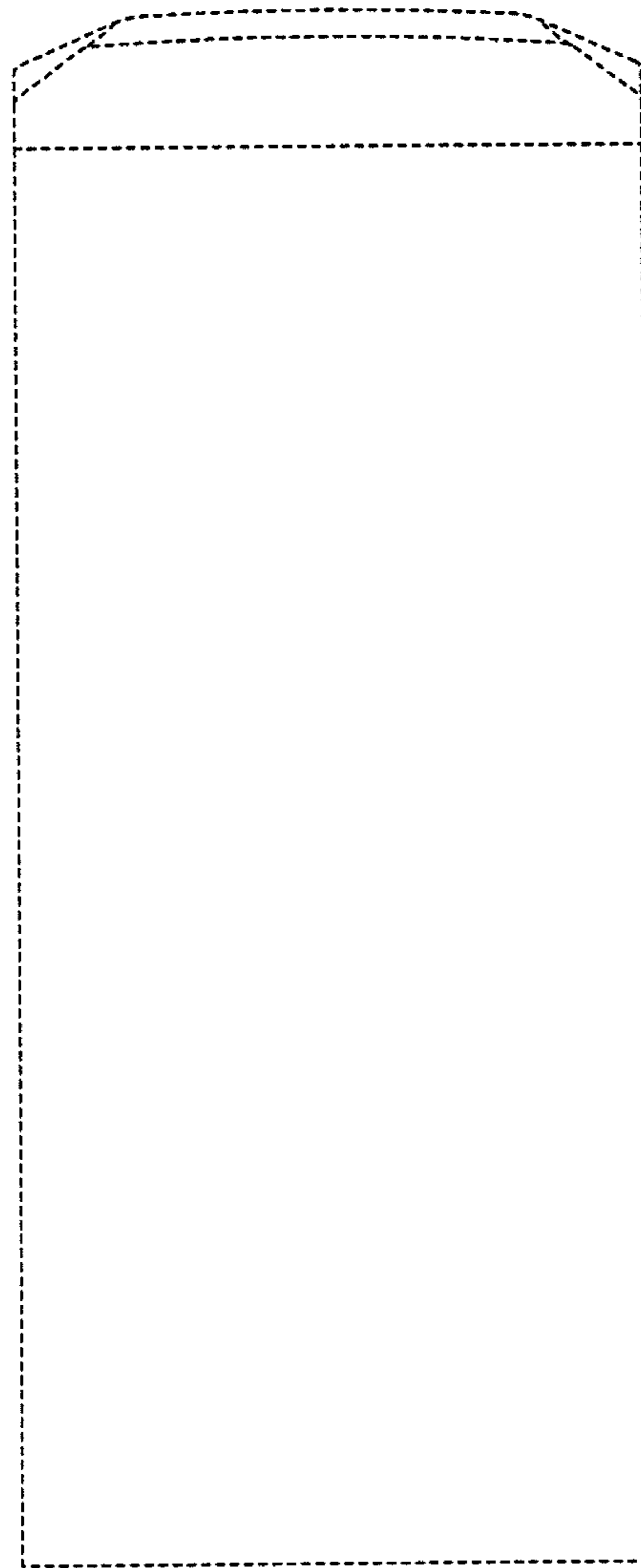


FIG.8

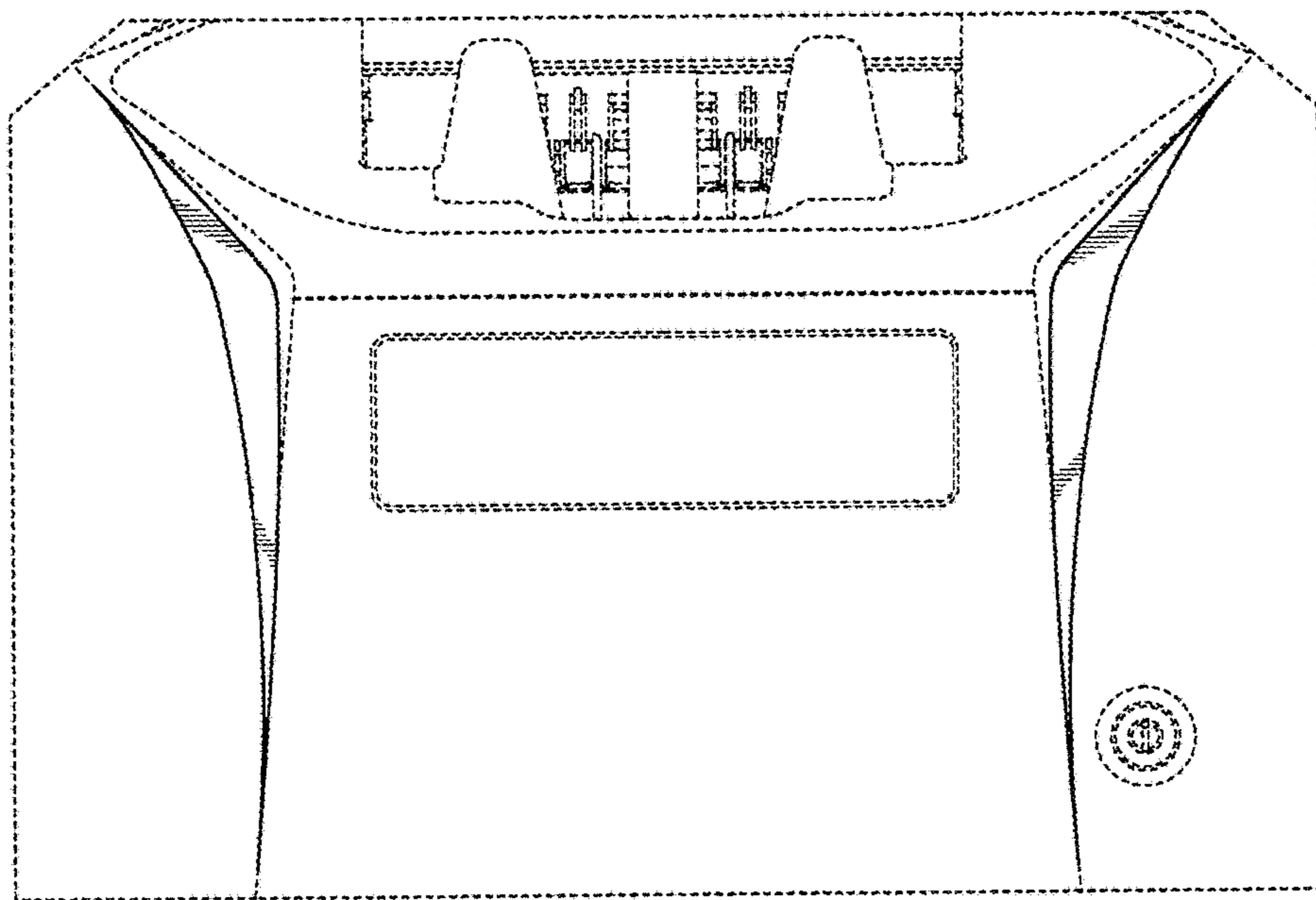


FIG.9

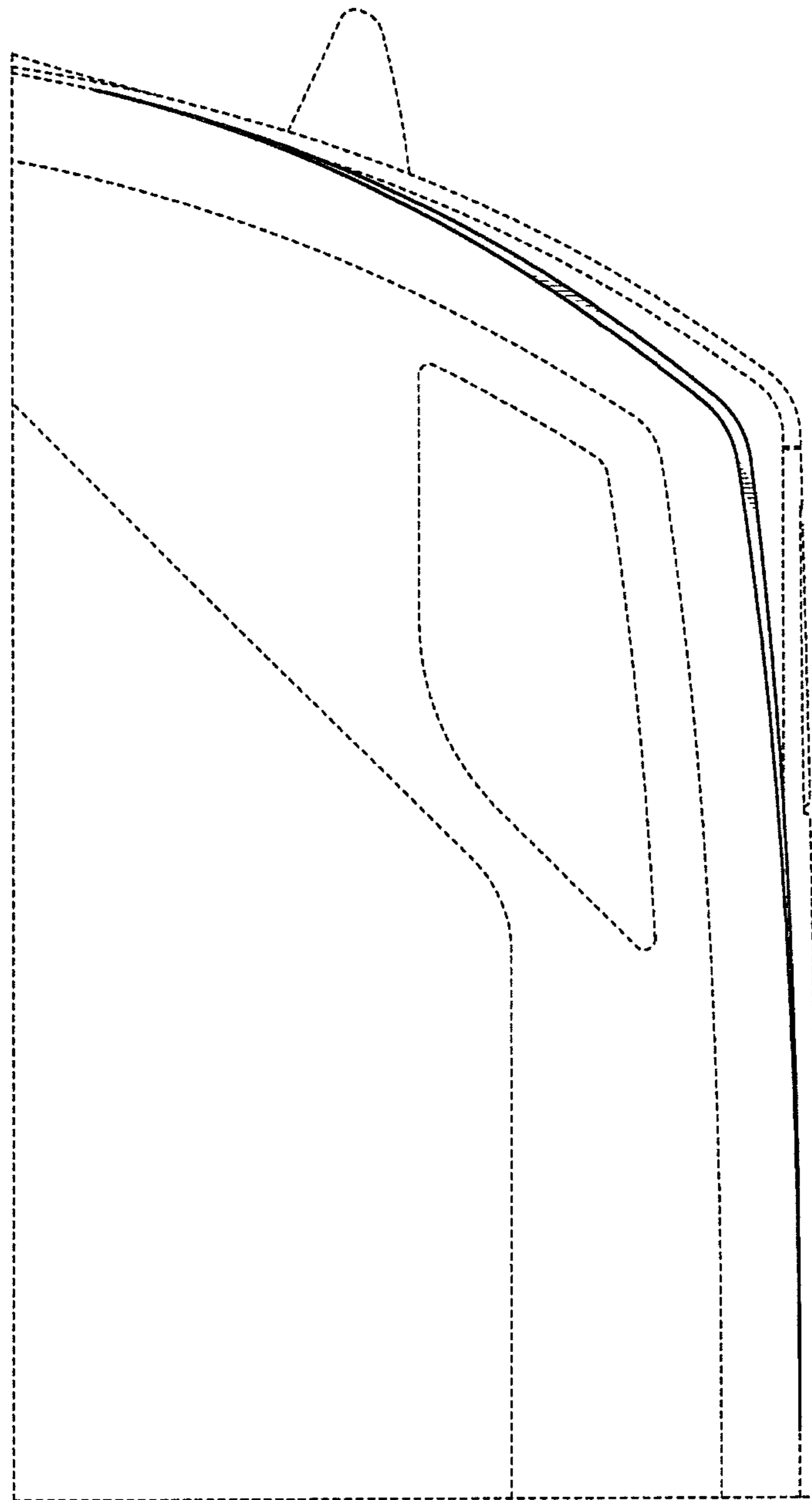


FIG. 10

