



US00D879870S

(12) **United States Design Patent**  
**Suzuki**

(10) **Patent No.:** **US D879,870 S**

(45) **Date of Patent:** **\*\* Mar. 31, 2020**

(54) **ELECTRONIC PIANO**

(71) Applicant: **YAMAHA CORPORATION,**  
Hamamatsu-shi (JP)

(72) Inventor: **Toshihide Suzuki,** Hamamatsu (JP)

(73) Assignee: **YAMAHA CORPORATION,**  
Hamamatsu-shi, Shizuoka (JP)

(\*\*) Term: **15 Years**

(21) Appl. No.: **29/669,295**

(22) Filed: **Nov. 7, 2018**

(30) **Foreign Application Priority Data**

May 23, 2018 (JP) ..... 2018-011299

(51) **LOC (12) Cl.** ..... **17-01**

(52) **U.S. Cl.**  
USPC ..... **D17/1**

(58) **Field of Classification Search**  
USPC ..... D17/1, 2, 7-9; D21/405  
CPC ... G10C 1/00; G10C 1/02; G10C 1/04; G10C  
3/00; G10C 3/12  
See application file for complete search history.

(56) **References Cited**

**U.S. PATENT DOCUMENTS**

4,468,999 A \* 9/1984 Bonanno ..... G10H 1/46  
341/31  
D312,266 S \* 11/1990 Shibasaki ..... D17/1

D506,494 S \* 6/2005 Nishizawa ..... D17/1  
D526,676 S \* 8/2006 Utsunomiya ..... D17/1  
D532,815 S \* 11/2006 Utsunomiya ..... D17/1  
D554,692 S \* 11/2007 Utsunomiya ..... D17/1  
D555,710 S \* 11/2007 Suzuki ..... D17/1  
D566,164 S \* 4/2008 Sato ..... D17/1  
D866,652 S \* 11/2019 Boerner ..... D17/1

\* cited by examiner

*Primary Examiner* — R. Johnson

(74) *Attorney, Agent, or Firm* — Sughrue Mion, PLLC

(57) **CLAIM**

The ornamental design for an electronic piano, as shown and described.

**DESCRIPTION**

FIG. 1 is a perspective view of the front, top and right side of an electronic piano showing my new design;  
FIG. 2 is a front view thereof;  
FIG. 3 is a rear view thereof;  
FIG. 4 is a left side view thereof;  
FIG. 5 is a right side view thereof;  
FIG. 6 is a top view thereof; and,  
FIG. 7 is a bottom view thereof.

The broken line showing of the electronic piano is included for the purpose of illustrating portions of the electronic piano and forms no part of the claimed design.

**1 Claim, 5 Drawing Sheets**

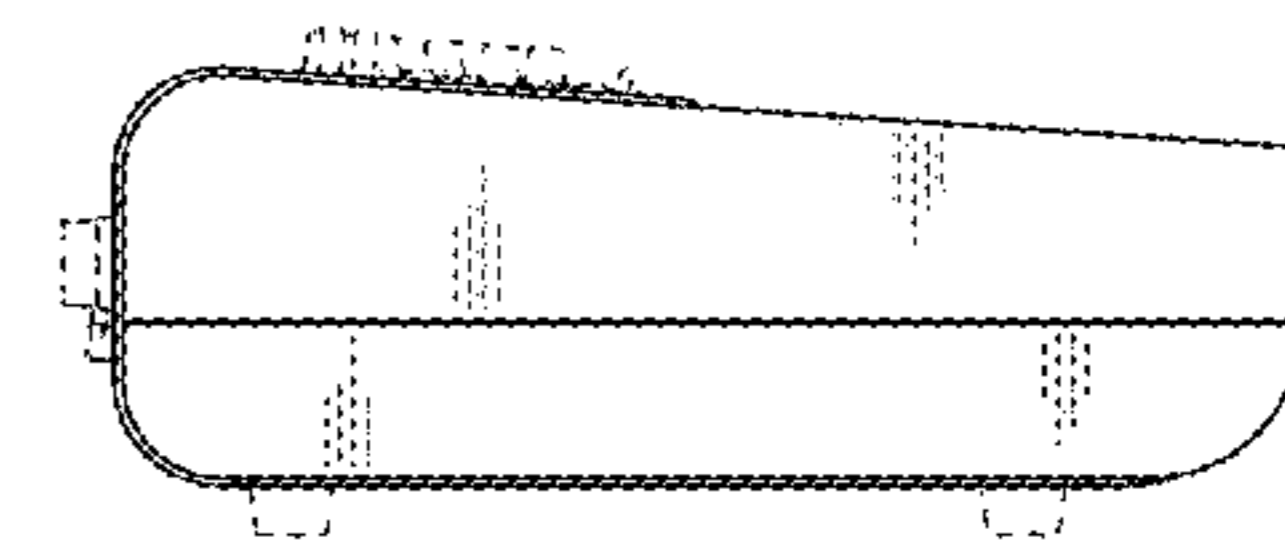
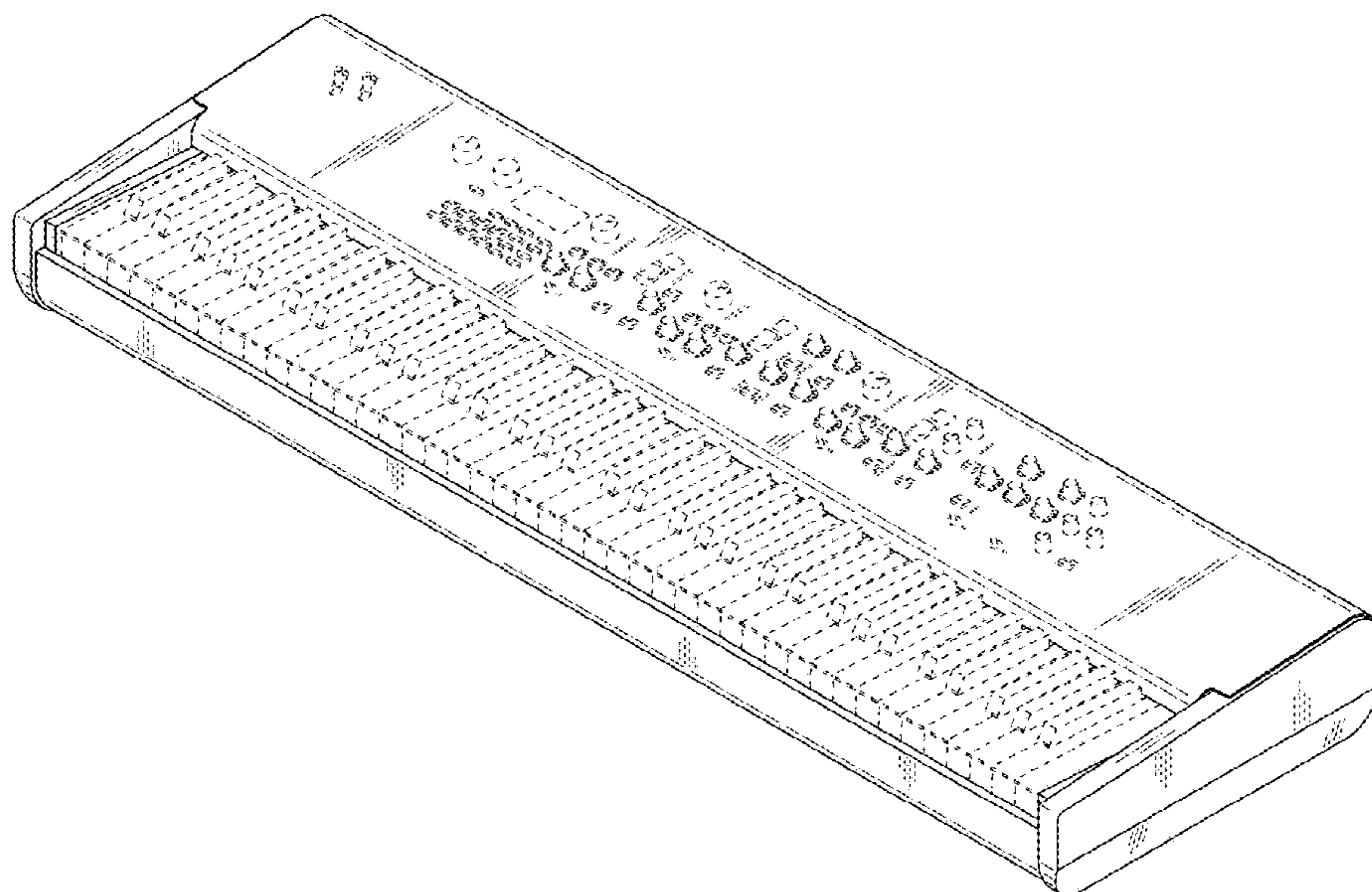


FIG. 1

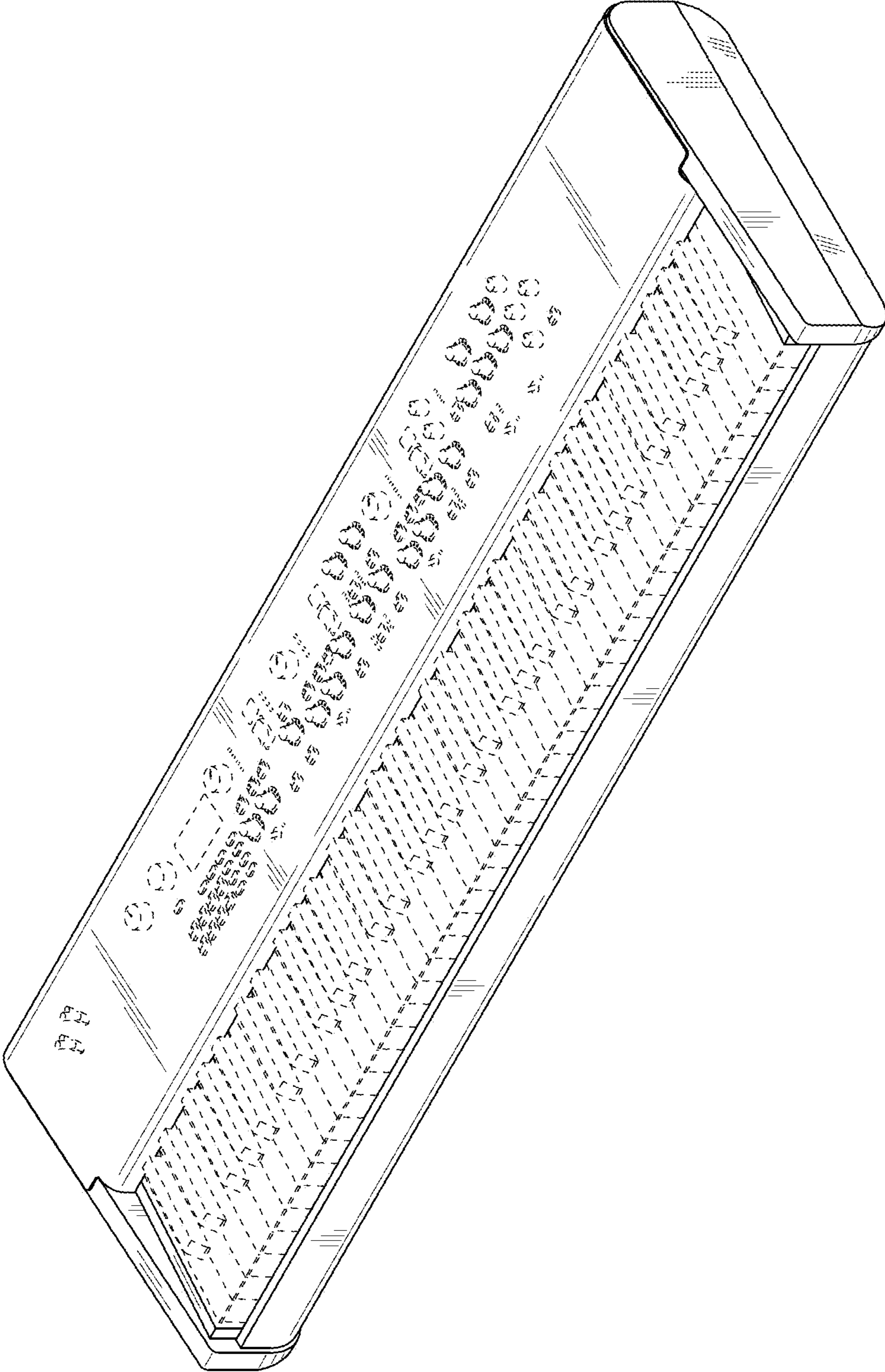


FIG. 2

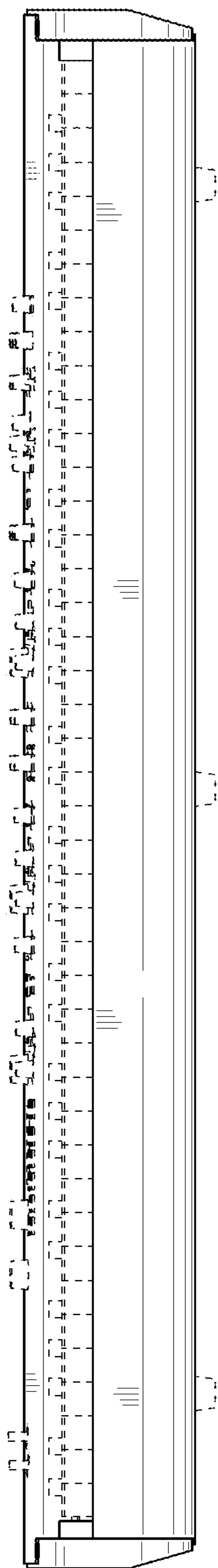


FIG. 3

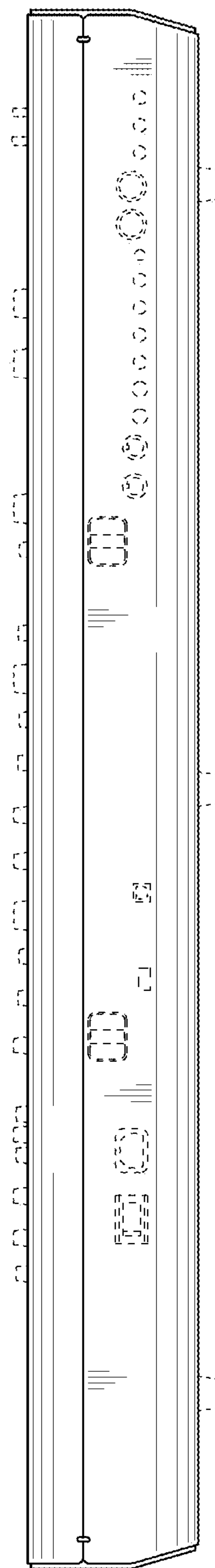


FIG. 5

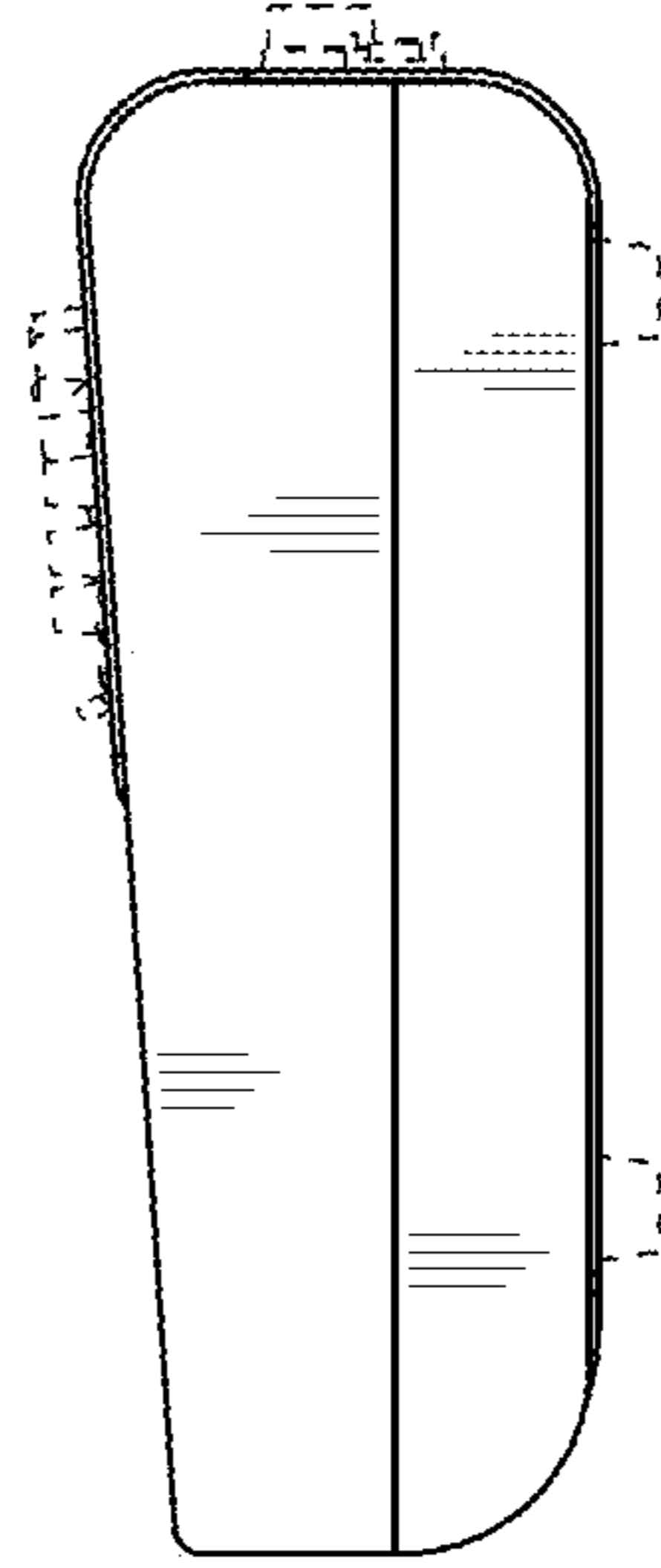


FIG. 4

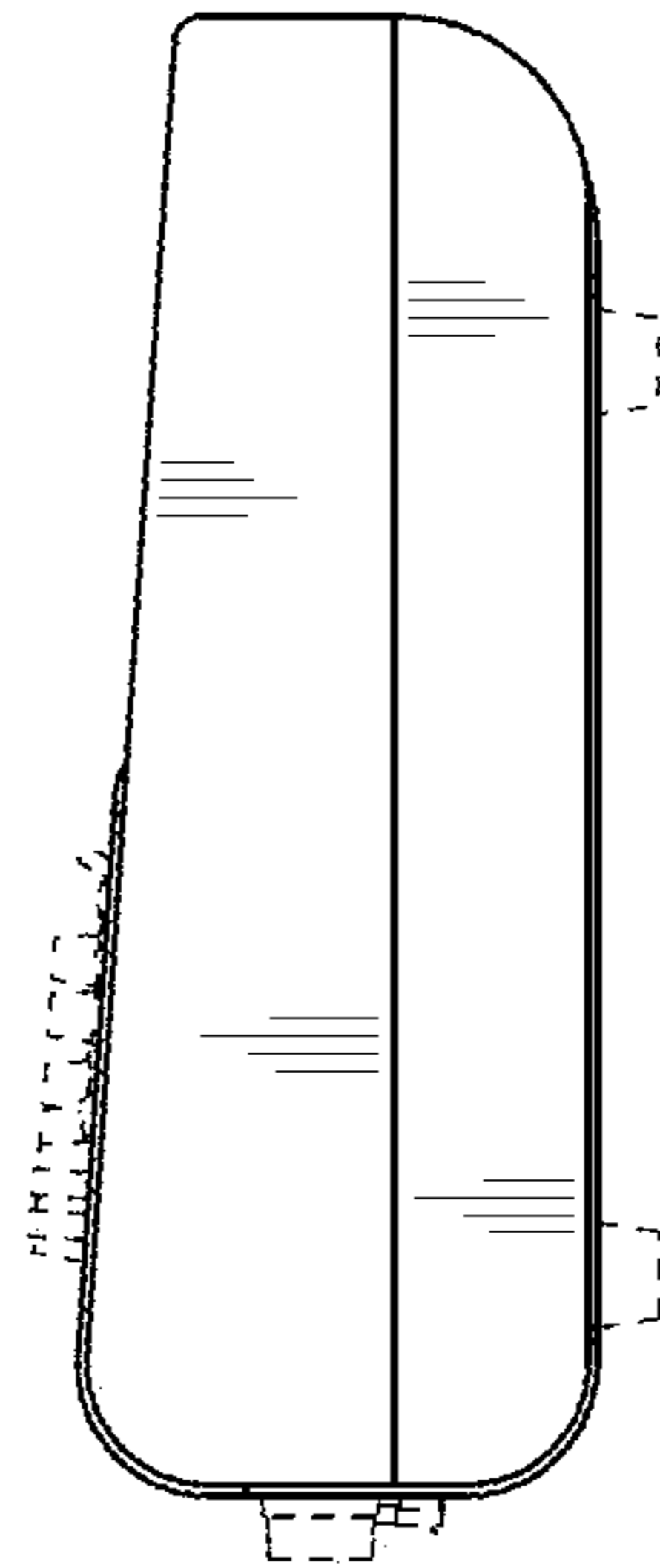


FIG. 6

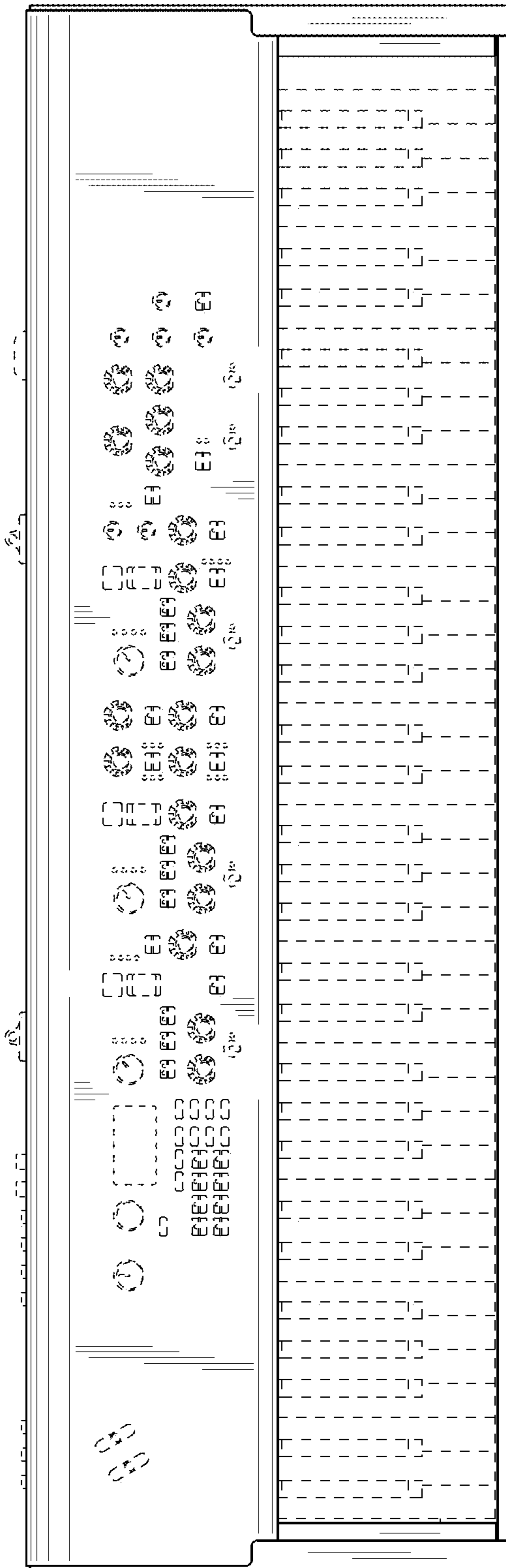


FIG. 7

