



US00D879868S

(12) **United States Design Patent** (10) **Patent No.:** **US D879,868 S**
Spiegel et al. (45) **Date of Patent:** **** Mar. 31, 2020**

(54) **EYEWEAR**

(71) Applicants: **Evan Spiegel**, Santa Monica, CA (US); **Mathias Andreas Hintermann**, Playa Vista, CA (US); **Kristina Marrero**, Los Angeles, CA (US); **Jinwoo Kim**, Los Angeles, CA (US); **Lauryn Morris**, Culver City, CA (US)

(72) Inventors: **Evan Spiegel**, Santa Monica, CA (US); **Mathias Andreas Hintermann**, Playa Vista, CA (US); **Kristina Marrero**, Los Angeles, CA (US); **Jinwoo Kim**, Los Angeles, CA (US); **Lauryn Morris**, Culver City, CA (US)

(73) Assignee: **Snap Inc.**, Santa Monica, CA (US)

(**) Term: **15 Years**

(21) Appl. No.: **29/674,944**

(22) Filed: **Dec. 27, 2018**

(51) **LOC (12) Cl.** **16-06**

(52) **U.S. Cl.**
USPC **D16/334**

(58) **Field of Classification Search**
USPC D16/101, 300-342, 900; D29/109-110; D21/483, 659-661; D14/372; 351/41, 351/44, 45-48, 51-52, 62, 158, 92, 351/103-123, 140-153, 63, 59; 2/13, 15, 2/426-432, 447-449, 441, 434-437
CPC G02C 2200/08; G02C 1/06; G02C 5/14; G02C 11/02; G02C 11/04; G02C 5/16; G02C 2200/22; G02C 5/146; G02C 5/2254; G02C 5/008; G01C 5/16; A61M 2021/0044; A63B 33/002
See application file for complete search history.

(56) **References Cited**

U.S. PATENT DOCUMENTS

D73,076 S * 7/1927 Emons D16/317
1,879,516 A * 9/1932 Rowan G02C 7/14
248/478

D90,994 S * 11/1933 Pappert D16/317
D121,563 S * 7/1940 Bressler D16/329
2,207,705 A * 7/1940 Cox G02C 11/06
381/327
D125,766 S * 3/1941 Haag D16/317
D128,062 S * 7/1941 Ehrlich D16/321
D136,405 S * 9/1943 Bendix et al. D16/319

(Continued)

OTHER PUBLICATIONS

Spectacles 3 , announced unknown, [online], [site visited Dec. 5, 2019]. Available from Internet, URL: <https://www.spectacles.com/shop/spectacles-3> (Year: 2019).*

Primary Examiner — Michelle E. Wilson

Assistant Examiner — Sanjeev Paul

(74) *Attorney, Agent, or Firm* — Culhane Meadows PLLC; Stephen J. Weed

(57) **CLAIM**

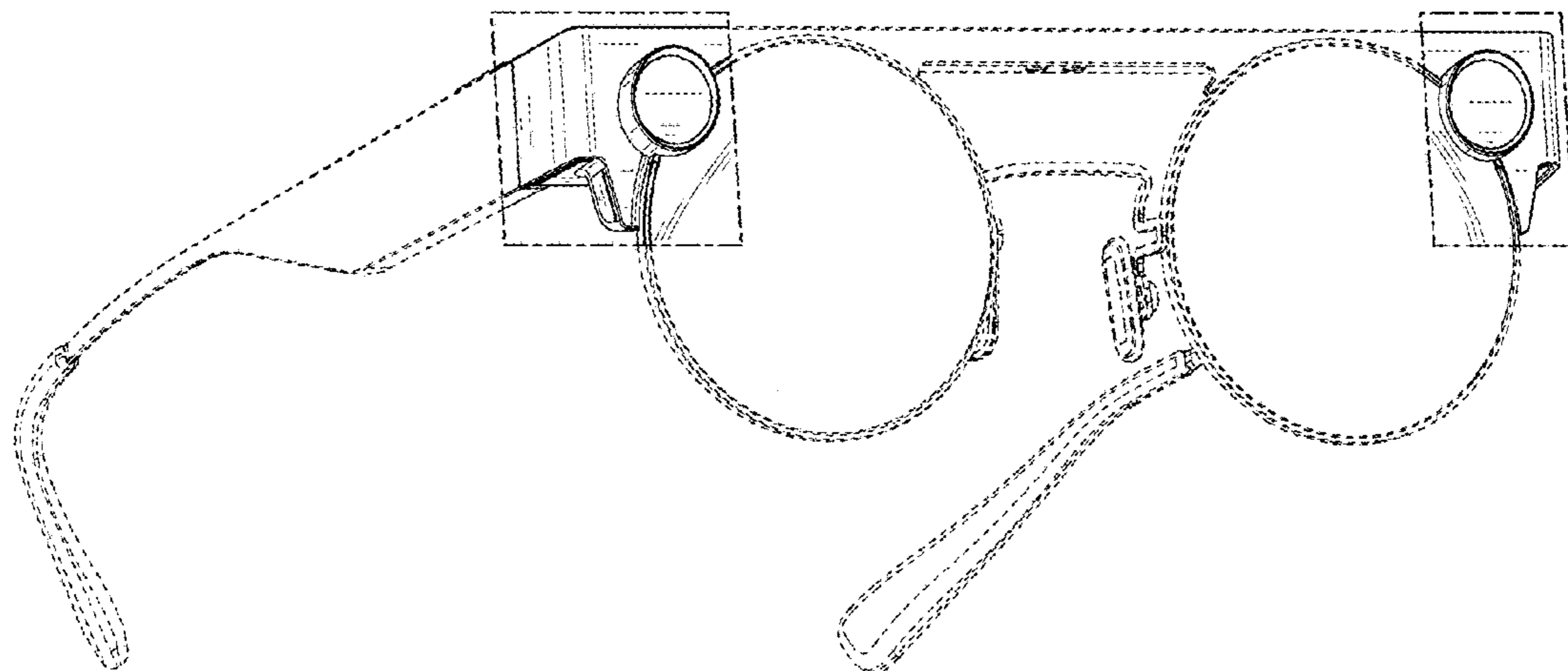
The ornamental design for eyewear, as shown and described.

DESCRIPTION

FIG. 1 is a front perspective view of eyewear; FIG. 2 is a front elevation view thereof; FIG. 3 is a rear elevation view thereof; FIG. 4 is a left side view thereof; FIG. 5 is a right side view thereof; FIG. 6 is a top view thereof; and, FIG. 7 is a bottom view thereof.

The broken line showing of the eyewear is for the purpose of illustrating portions of the article and forms no part of the claimed design. Certain broken lines that form no part of the claimed design merge with solid lines that do form part of the claimed design. The dash-dot lines delineate boundaries between the broken lines and solid lines that merge.

1 Claim, 7 Drawing Sheets



(56)

References Cited

U.S. PATENT DOCUMENTS

D139,613 S *	12/1944	Norton	D16/323	D690,761 S *	10/2013	He	D16/309
D142,542 S *	10/1945	Bachmann	D16/309	D723,093 S *	2/2015	Li	D16/309
D167,209 S *	7/1952	Hansen	D16/317	D728,004 S *	4/2015	Yee	D16/317
2,613,282 A *	10/1952	Scaife	H04R 25/606	D748,715 S *	2/2016	Li	D16/309
			381/327	D753,758 S *	4/2016	Uhm	D16/317
D173,636 S *	12/1954	Brown	D16/302	D754,781 S *	4/2016	Fitzritson	D16/306
3,038,375 A *	6/1962	Gansz	G02C 11/00	D765,764 S *	9/2016	Darcy	D16/326
			351/43	D778,341 S *	2/2017	Chae	D16/326
D200,601 S *	3/1965	Meyers	D16/335	D780,828 S *	3/2017	Bonaventura	D16/326
D201,050 S *	5/1965	Giesecking et al.	D16/309	D780,829 S *	3/2017	Bonaventura	D16/326
3,432,220 A *	3/1969	Schreiner	G02B 27/2207	D782,563 S *	3/2017	Bonaventura	D16/315
			359/464	D794,112 S *	8/2017	Spiegel	D16/309
D215,751 S *	10/1969	Castellano	D26/38	D795,952 S *	8/2017	Natsume	D16/309
D218,570 S *	9/1970	Huggins	D16/317	D822,755 S *	7/2018	Spiegel	D16/335
D229,975 S *	1/1974	Klugmann	D16/309	D863,415 S *	10/2019	Spiegel	D16/325
D346,812 S *	5/1994	Luzlbauer	D16/321	2002/0197961 A1 *	12/2002	Warren	A42B 1/245
D362,863 S *	10/1995	Feinbloom	D16/317				455/66.1
D365,592 S *	12/1995	Lamb	D16/330	2006/0109350 A1 *	5/2006	Yeh	H04N 5/2251
6,038,295 A *	3/2000	Mattes	H04M 3/4938				348/207.99
			348/211.3	2008/0192114 A1 *	8/2008	Pearson	G03B 17/08
D428,431 S *	7/2000	Jordan	D16/309				348/81
D487,768 S *	3/2004	Peng	D16/306	2011/0013135 A1 *	1/2011	Waters	G02C 11/04
7,607,775 B2 *	10/2009	Hermanson	G02C 11/04				351/158
			351/111	2014/0055746 A1 *	2/2014	Nistico	A61B 3/0008
D605,218 S *	12/2009	Meng-Suen	D16/309				351/206
D607,565 S *	1/2010	McClure	D16/309	2014/0252236 A1 *	9/2014	Cottrell	G01C 3/04
D611,086 S *	3/2010	Meng-Suen	D16/309				250/341.8
D617,826 S *	6/2010	Waters	D16/309	2014/0313121 A1 *	10/2014	Lee	G06F 3/0304
D645,492 S *	9/2011	Zhao	D16/309				345/156
D645,493 S *	9/2011	Zhao	D16/309	2016/0033792 A1 *	2/2016	Blum	G02C 11/10
D646,316 S *	10/2011	Zhao	D16/309				348/294
D664,184 S *	7/2012	Olsson	D16/300	2016/0157028 A1 *	6/2016	McCracken	H04R 25/405
D677,310 S *	3/2013	Xia	D16/309				381/313
D685,019 S *	6/2013	Li	D16/309	2016/0320621 A1 *	11/2016	Biteau	G02B 5/22
				2019/0229395 A1 *	7/2019	Hintermann	G02C 11/10

* cited by examiner

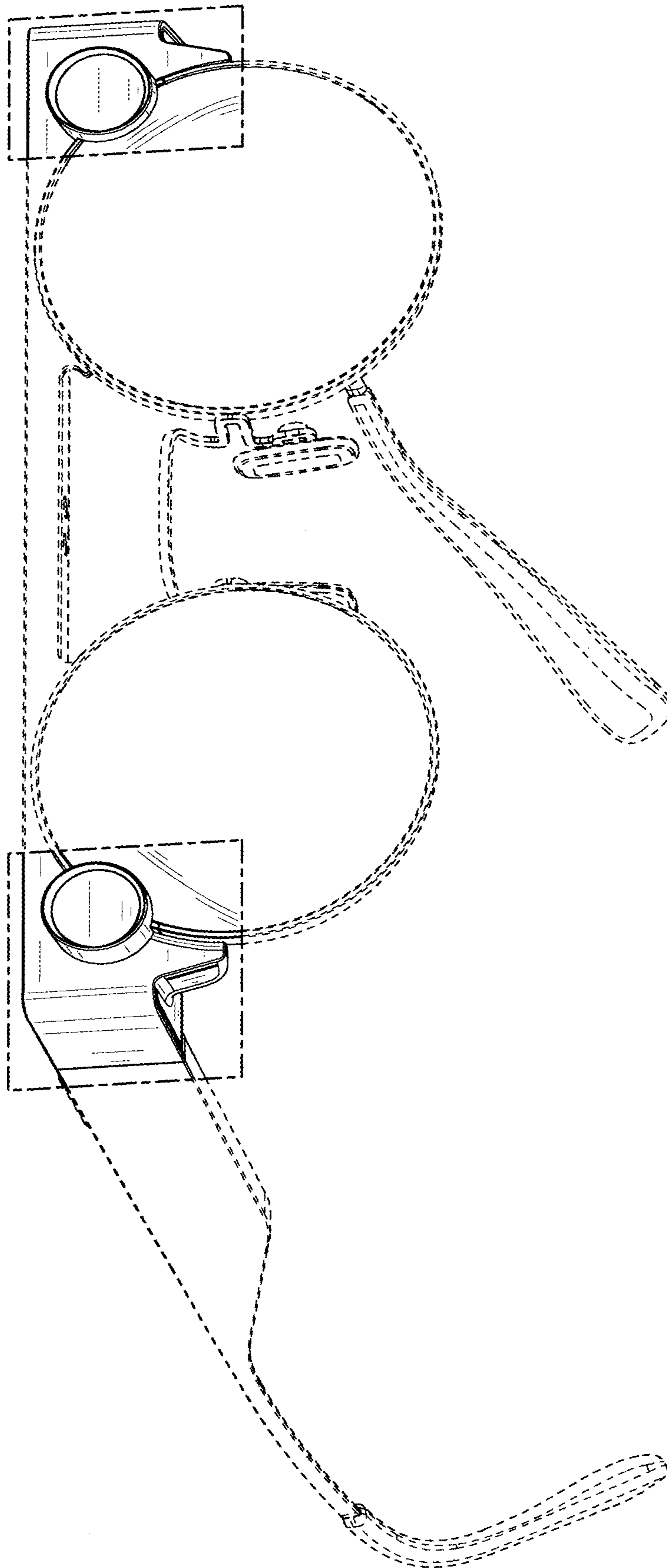


FIG. 1

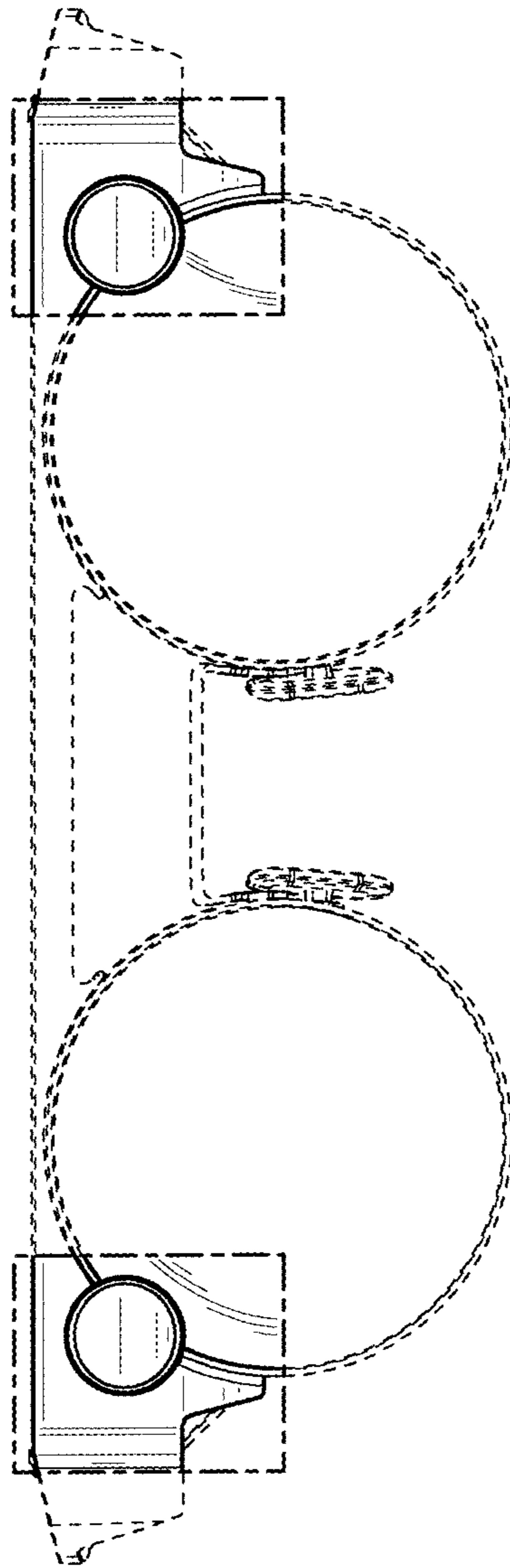


FIG. 2

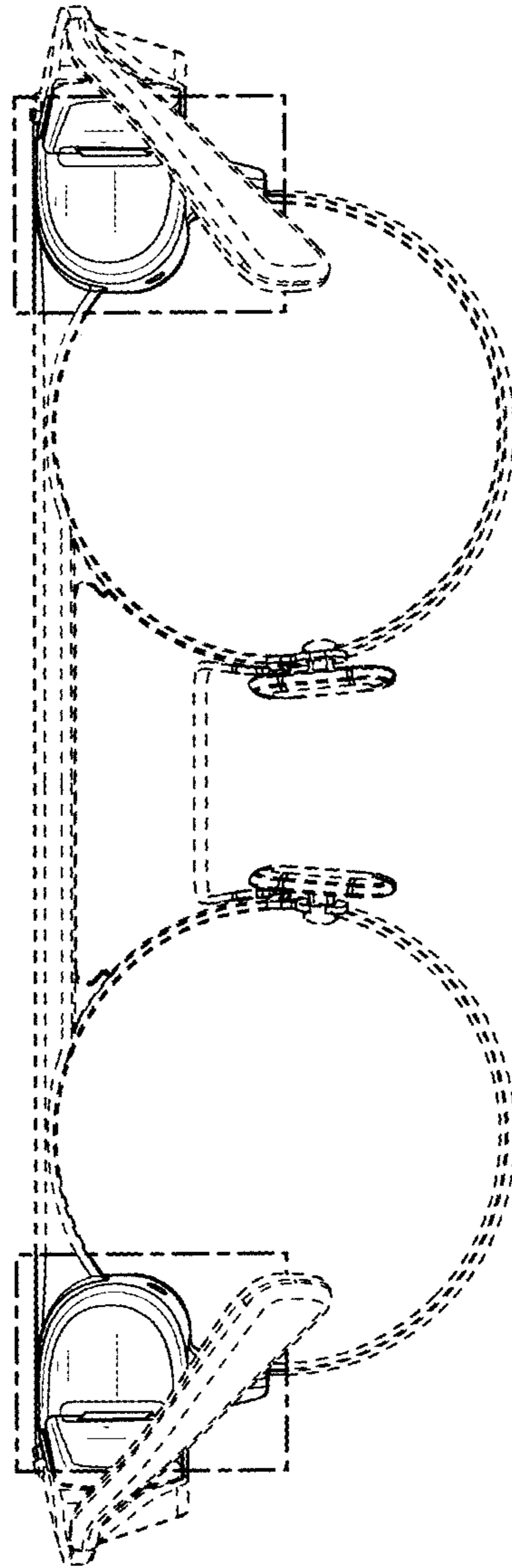


FIG. 3

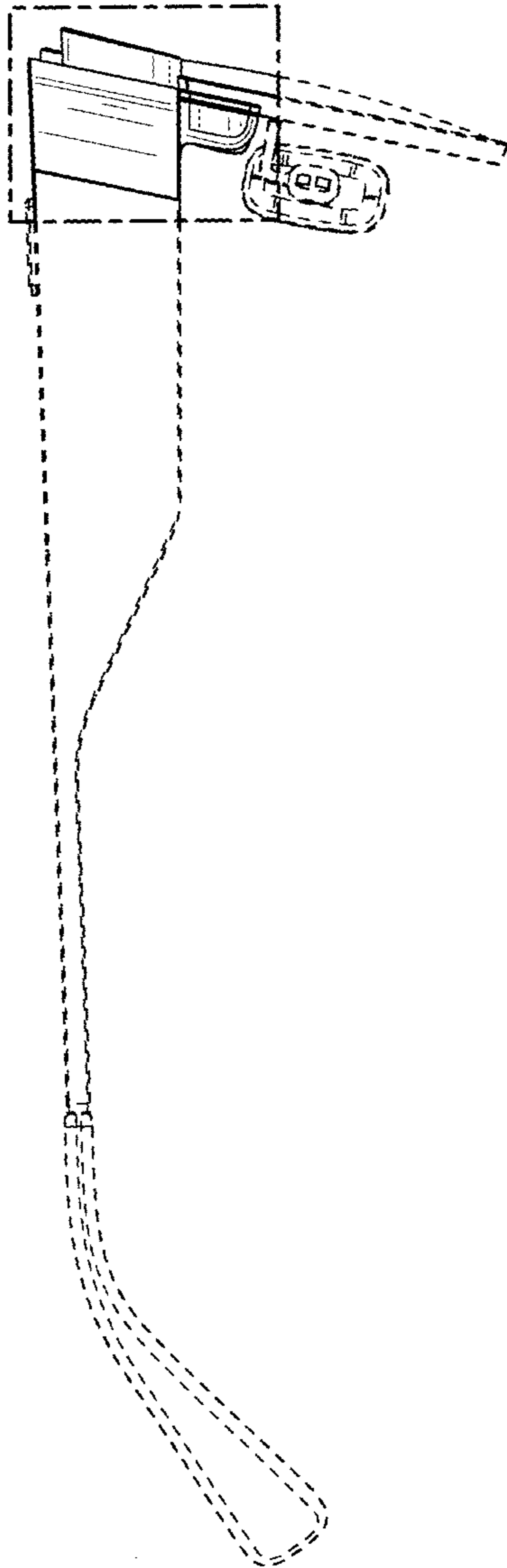


FIG. 4

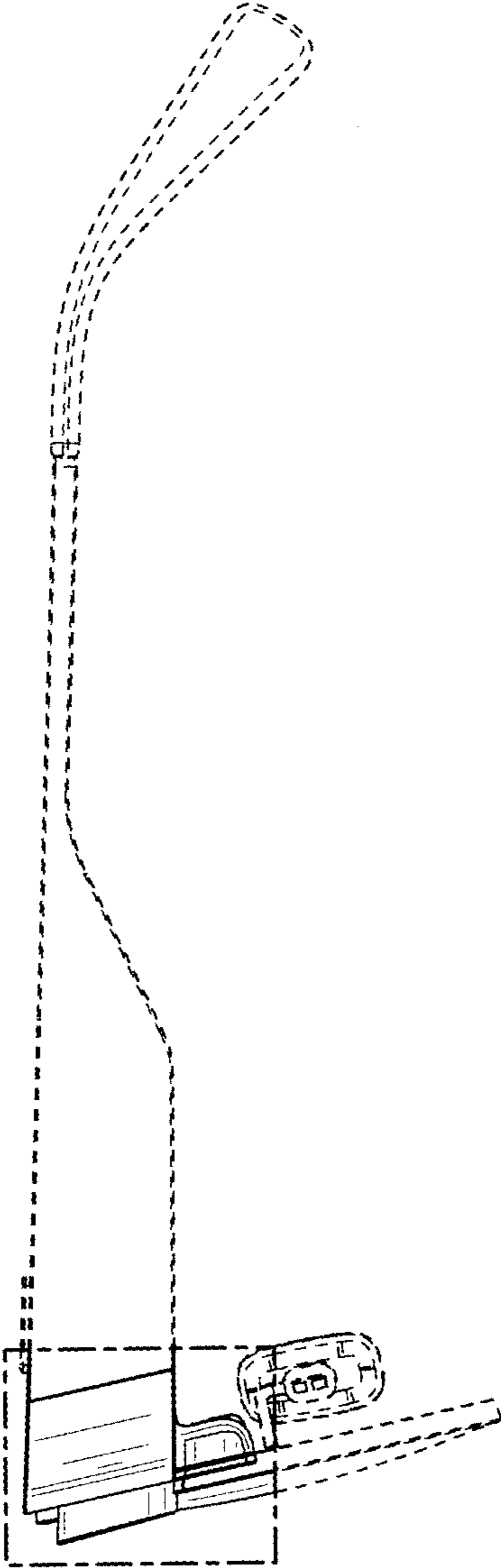


FIG. 5

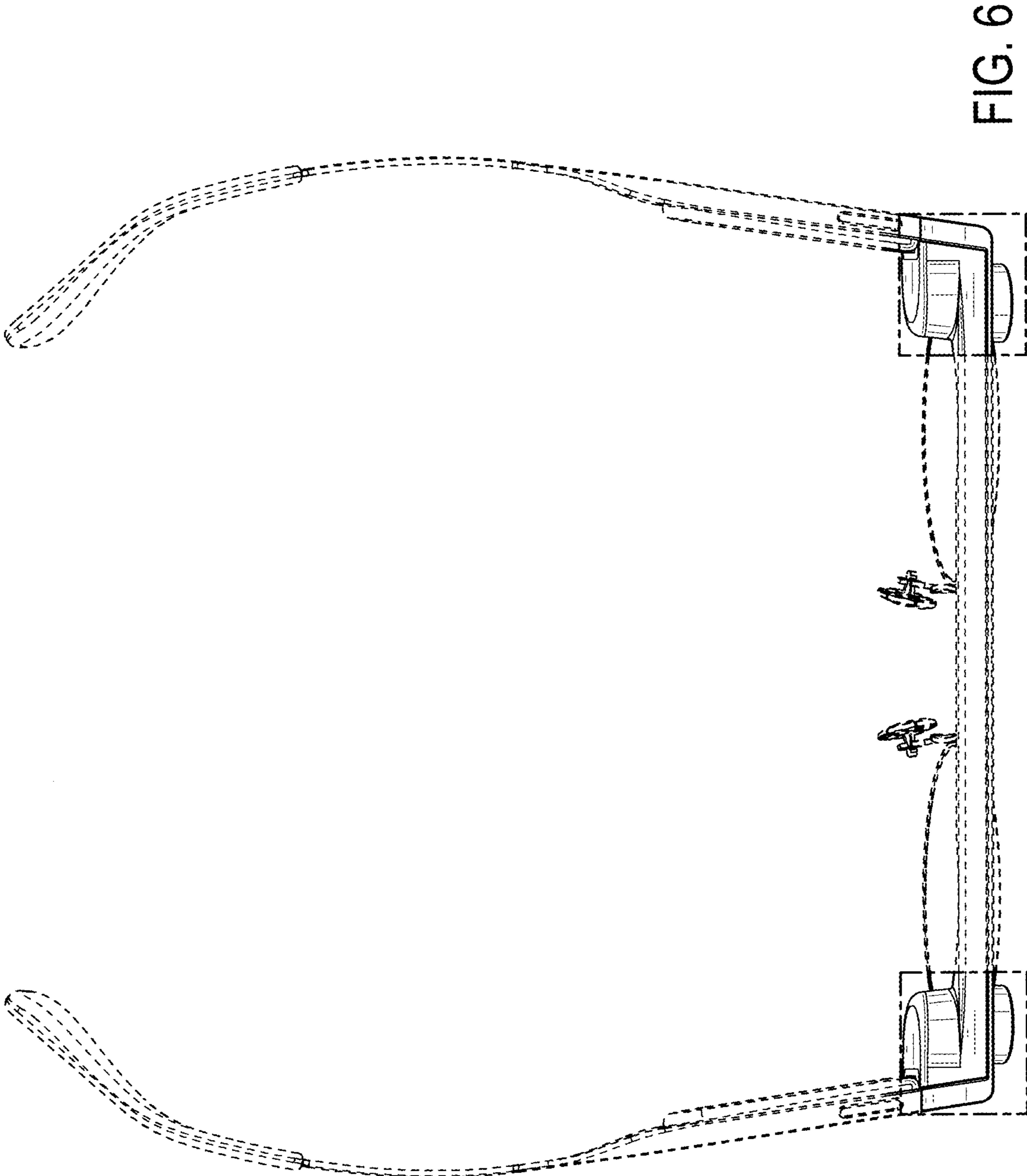


FIG. 6

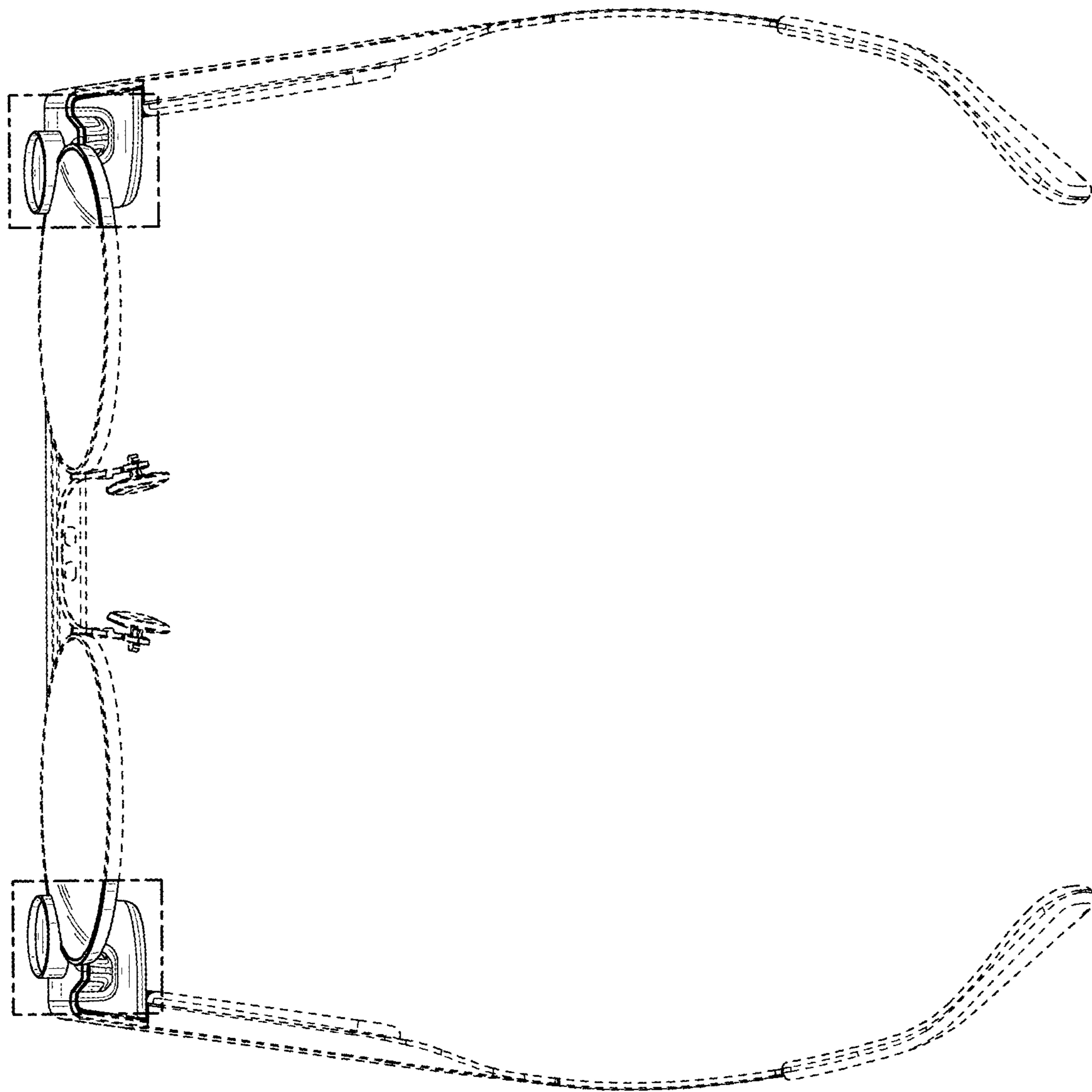


FIG. 7