



US00D879861S

(12) **United States Design Patent**  
**Tanaka et al.**

(10) **Patent No.:** **US D879,861 S**

(45) **Date of Patent:** **\*\* Mar. 31, 2020**

(54) **PROJECTOR**

(71) Applicant: **FUJIFILM Corporation**, Tokyo (JP)

(72) Inventors: **Kunihiko Tanaka**, Saitama (JP); **Koji Yoshida**, Saitama (JP)

(73) Assignee: **FUJIFILM Corporation**, Tokyo (JP)

(\*\*) Term: **15 Years**

(21) Appl. No.: **29/674,630**

(22) Filed: **Dec. 21, 2018**

(30) **Foreign Application Priority Data**

Jul. 13, 2018 (JP) ..... 2018-015522

(51) **LOC (12) Cl.** ..... **16-02**

(52) **U.S. Cl.**  
USPC ..... **D16/235**

(58) **Field of Classification Search**  
USPC ..... D16/235, 221, 225, 229-231, 203, 208;  
353/119, 122

CPC .... G03B 21/00; G03B 21/001; G03B 21/003;  
G03B 21/12; G03B 21/14; G03B 21/142;  
G03B 21/145; G03B 21/16

See application file for complete search history.

(56) **References Cited**

**U.S. PATENT DOCUMENTS**

D113,515 S *	2/1939	Kurtz et al.	.....	D16/221
D212,309 S *	9/1968	Ralke	.....	D16/235
D300,535 S *	4/1989	Sable	.....	D16/221
D352,304 S *	11/1994	Zavracky	.....	D16/235
D353,390 S *	12/1994	Zavracky	.....	D16/235
D371,564 S *	7/1996	Sunada	.....	D16/221
D421,269 S *	2/2000	Murakami	.....	D16/225
6,604,831 B1 *	8/2003	Prestigomo	.....	F16M 11/10 353/119
D569,408 S *	5/2008	Solomon	.....	D16/229

7,670,012 B2 \* 3/2010 Solomon ..... G03B 21/30  
353/119

7,901,084 B2 \* 3/2011 Willey ..... G03B 21/145  
353/122

2007/0195294 A1 \* 8/2007 Willey ..... G03B 21/145  
353/119

**FOREIGN PATENT DOCUMENTS**

JP 1402294 S 11/2010

**OTHER PUBLICATIONS**

An Office Action mailed by the Japanese Patent Office dated Jul. 19, 2019, which corresponds to Japanese Design Application No. 2018-015522 and is related to Design U.S. Appl. No. 29/674,630; with English language translation.

US Patent Trademark Publication, (May 29, 2018), U.S. Pat. No. D. 819,114, (Japan Patent Office, Design Division Official Gazette No. HH30311405).

\* cited by examiner

*Primary Examiner* — Wan Laymon

(74) *Attorney, Agent, or Firm* — Studebaker & Brackett PC

(57) **CLAIM**

The ornamental design for a projector, as shown and described.

**DESCRIPTION**

FIG. 1 is a top left perspective view of a projector showing our new design;

FIG. 2 is a front view thereof;

FIG. 3 is a rear view thereof;

FIG. 4 is a top plan view thereof;

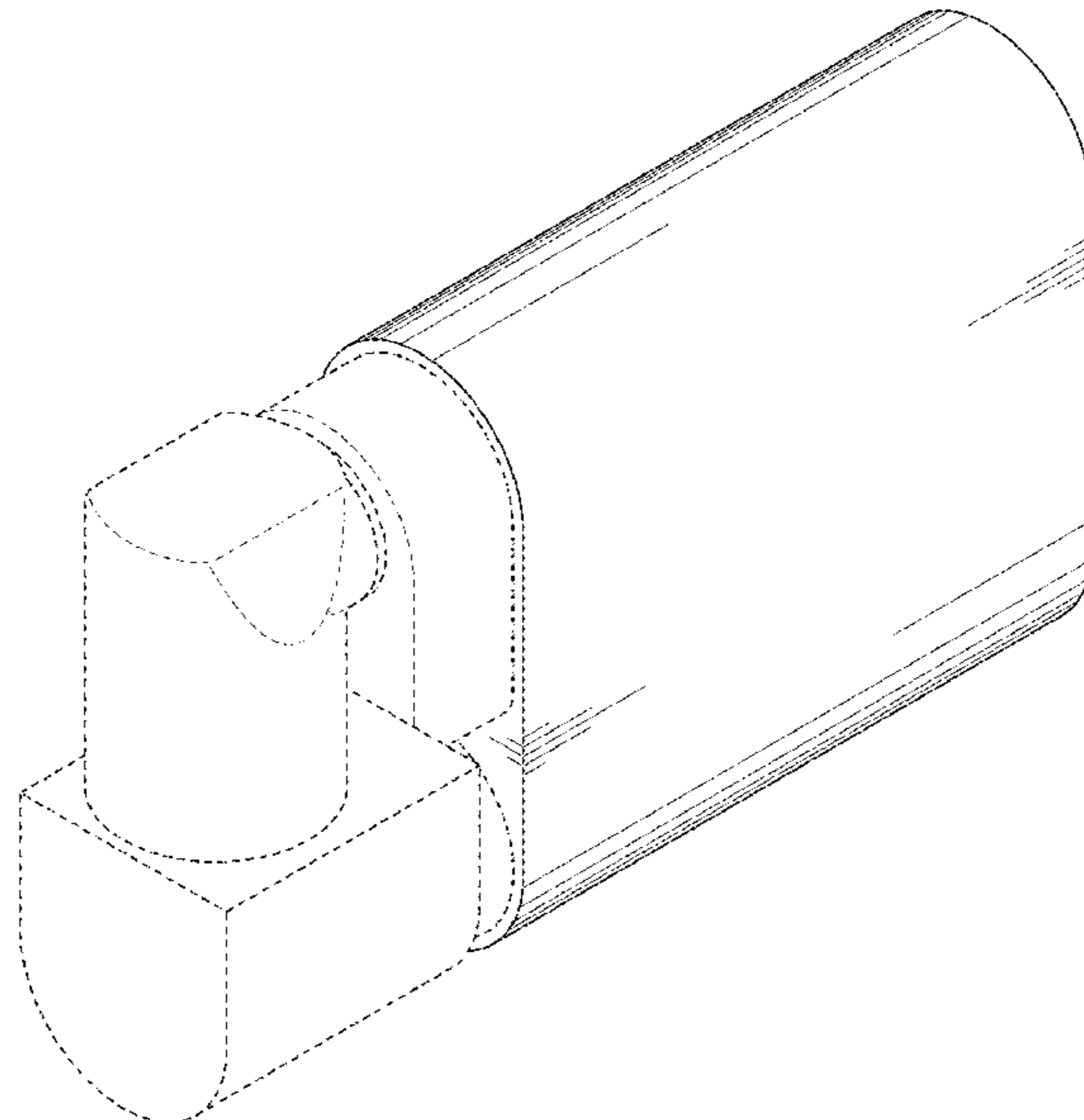
FIG. 5 is a bottom plan view thereof;

FIG. 6 is a right side view thereof; and,

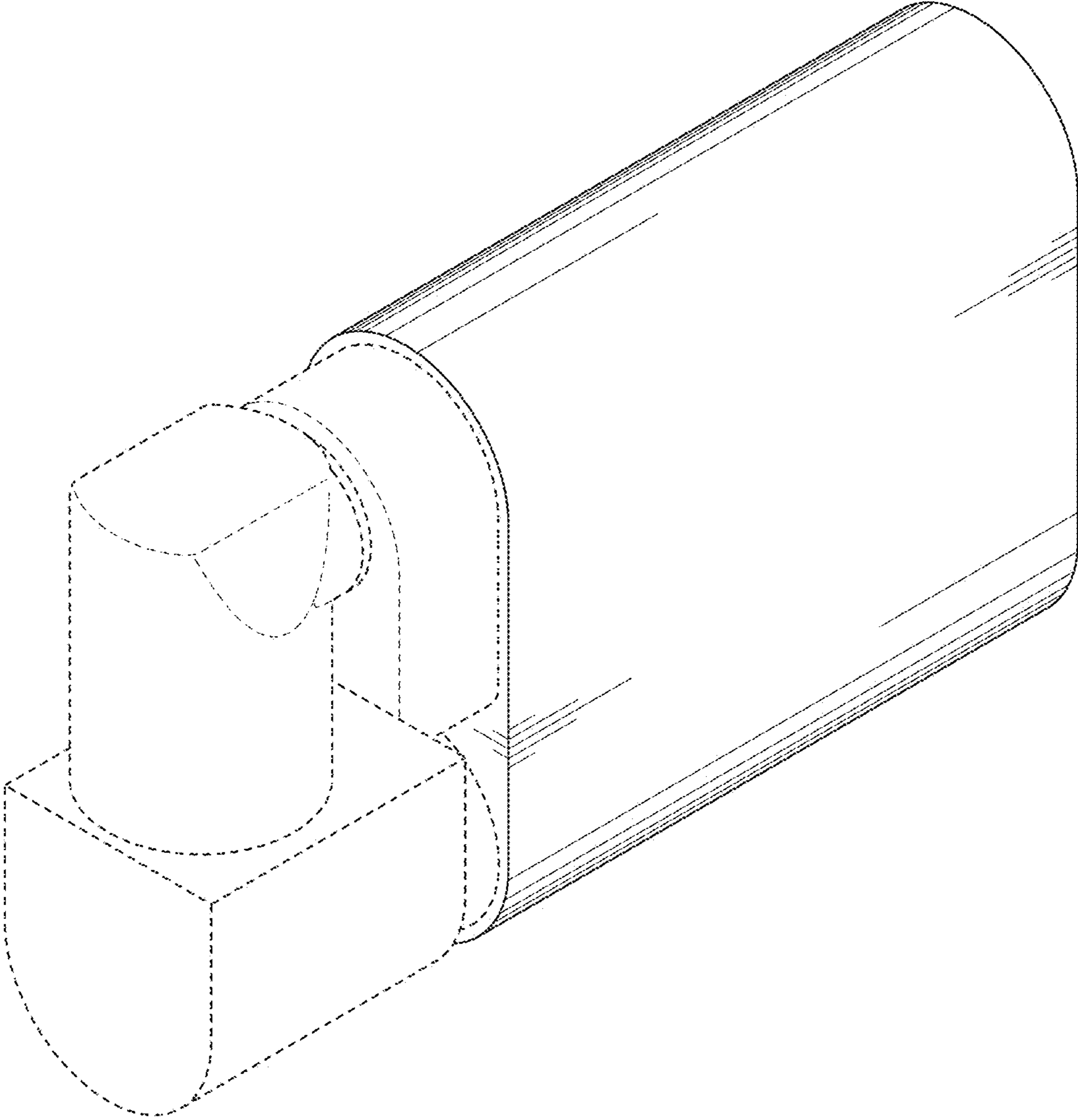
FIG. 7 is a left side view thereof.

The broken lines illustrate portions of the projector and form no part of the claimed design.

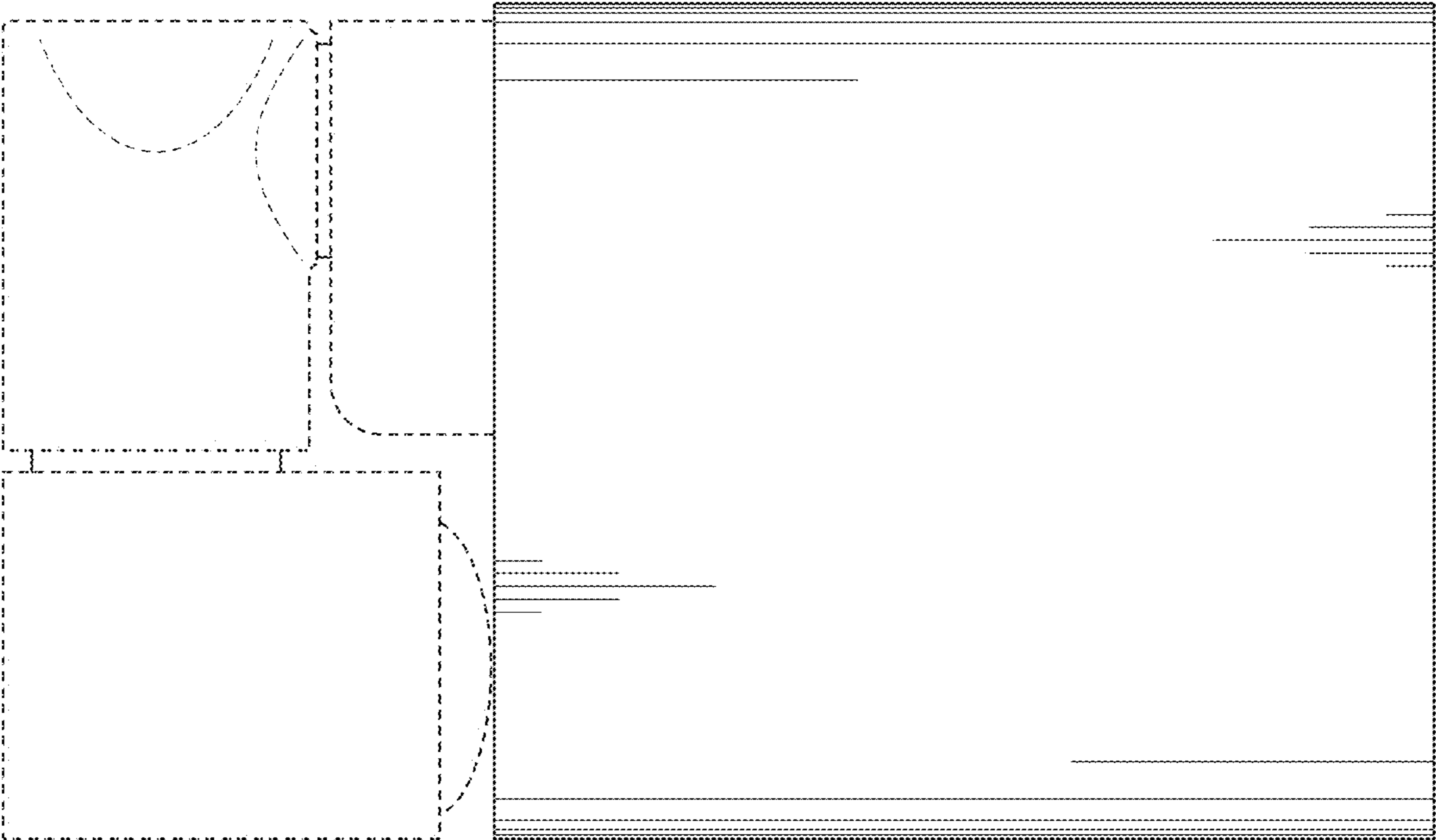
**1 Claim, 6 Drawing Sheets**



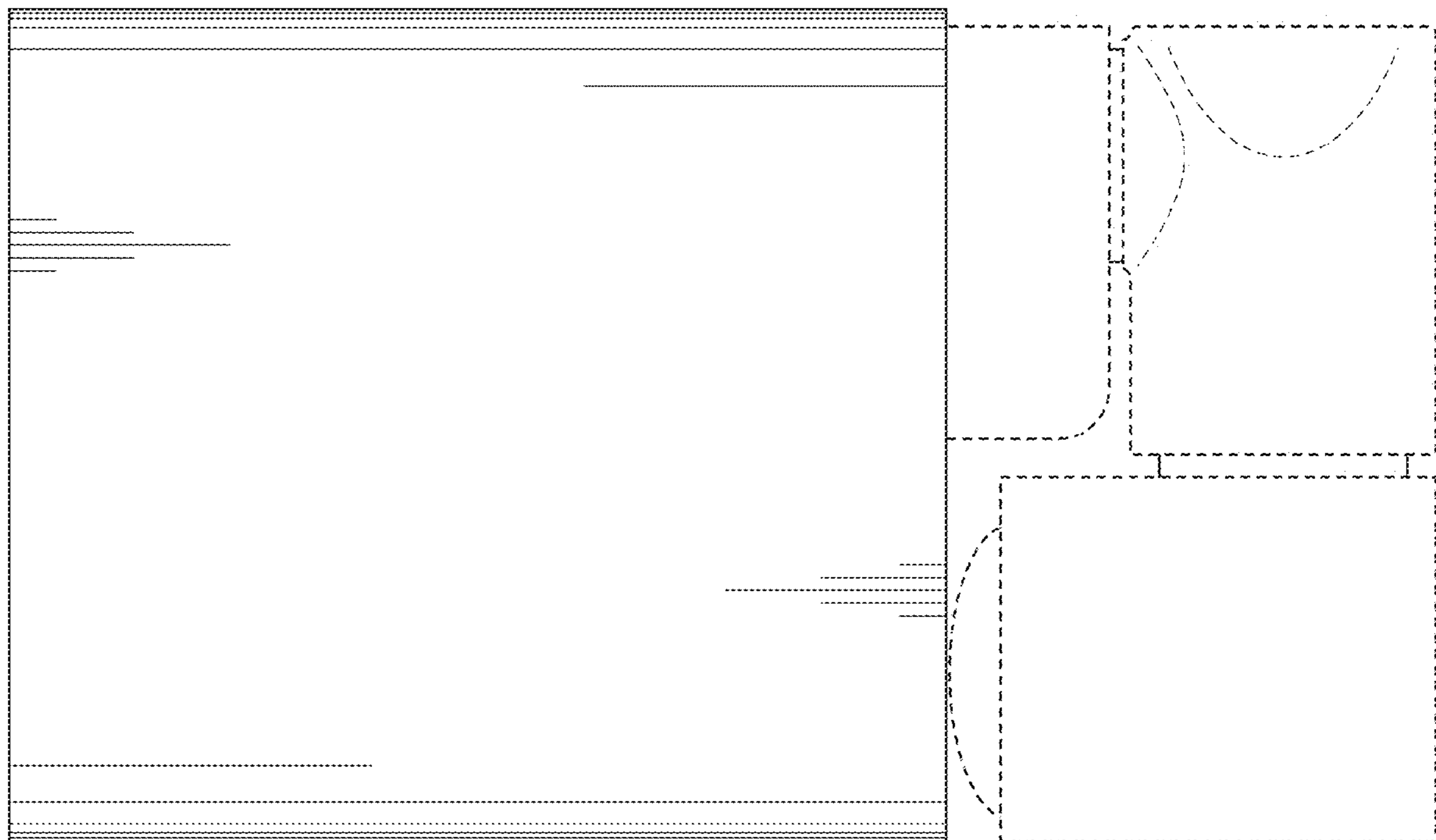
**FIG. 1**



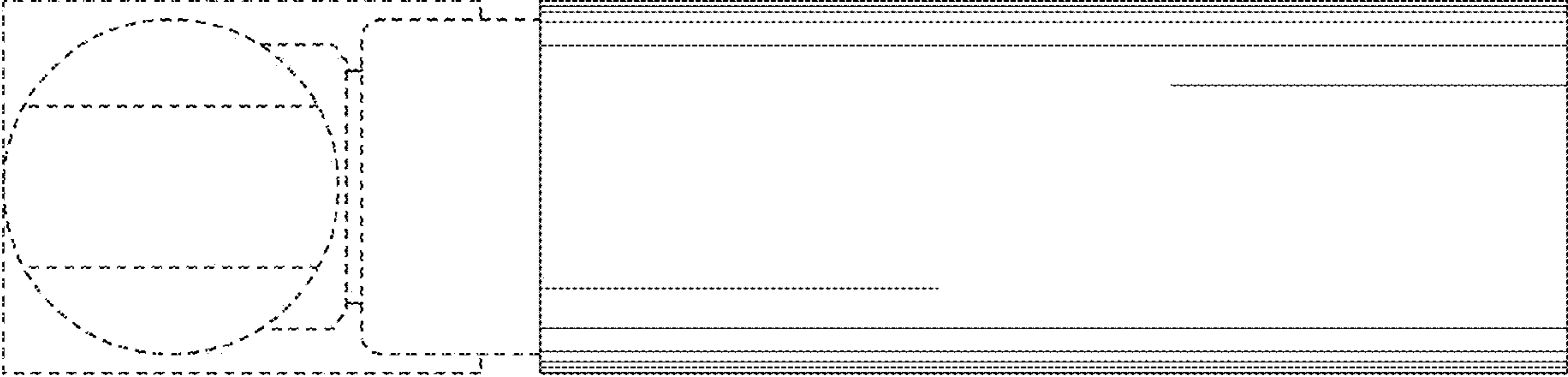
**FIG. 2**



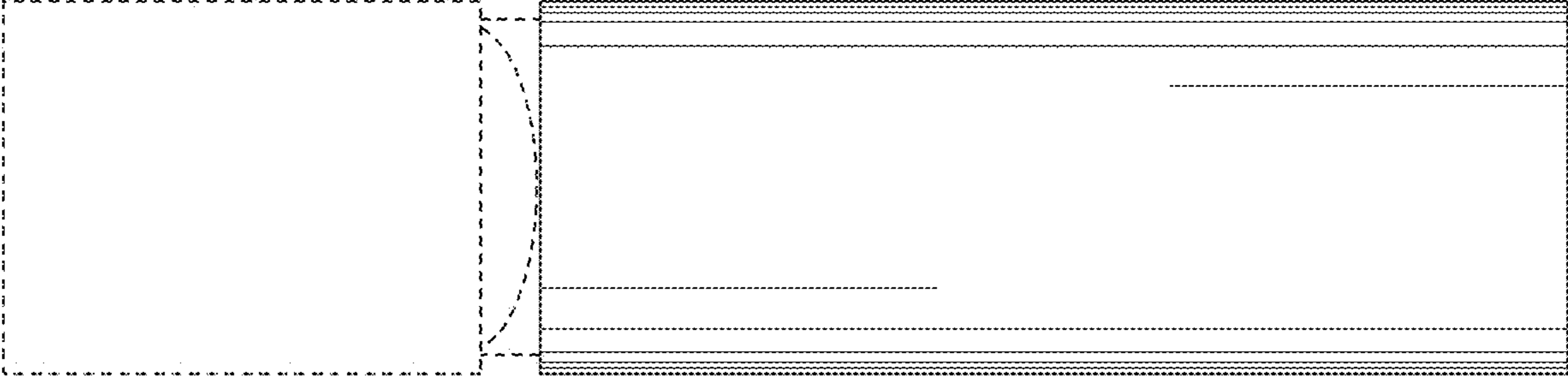
**FIG. 3**



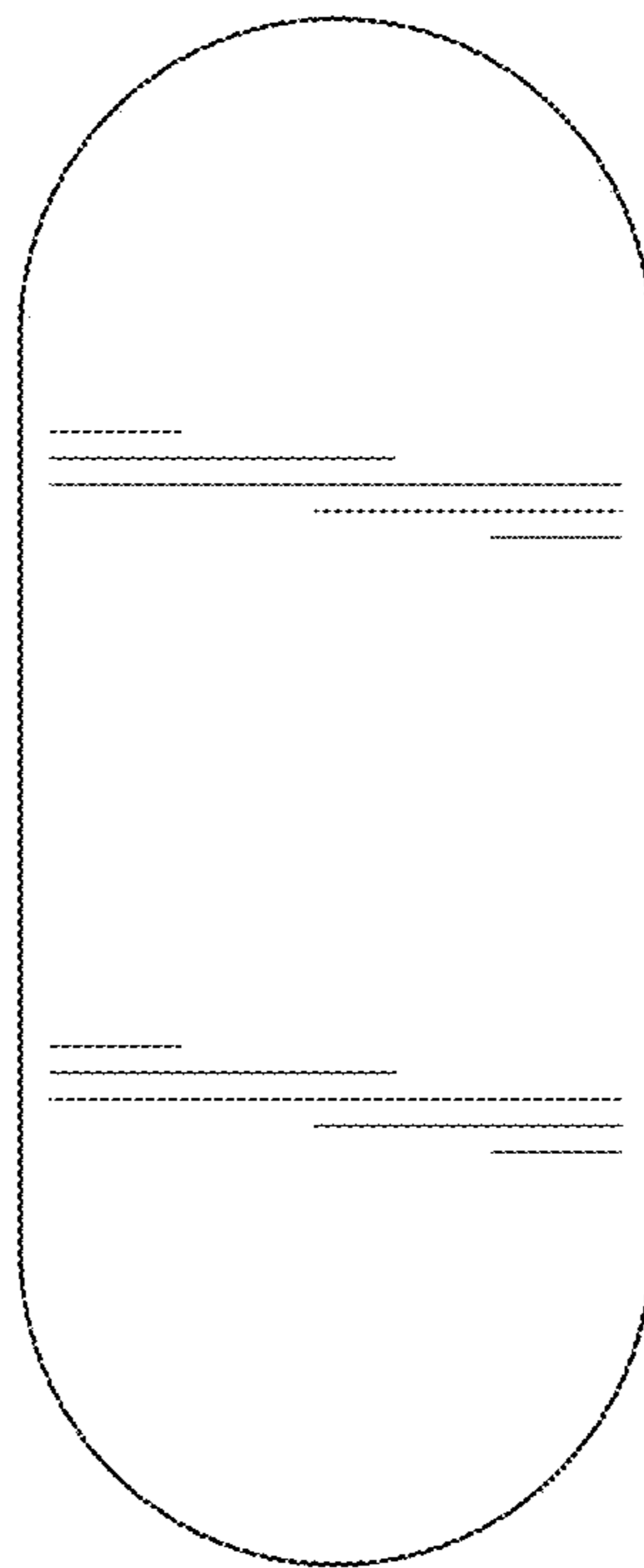
**FIG. 4**



**FIG. 5**



**FIG. 6**



**FIG. 7**

