



US00D879859S

(12) **United States Design Patent**
Jacob et al.

(10) **Patent No.:** **US D879,859 S**
(45) **Date of Patent:** **** Mar. 31, 2020**

(54) **CAMERA**

(71) Applicant: **GOOGLE LLC**, Mountain View, CA (US)

(72) Inventors: **Rochus Emanuel Jacob**, San Francisco, CA (US); **Samuel Ward Kortz**, San Francisco, CA (US); **Jason Evans Goulden**, Los Gatos, CA (US); **Adam Scott Kilgore**, San Rafael, CA (US); **Rafat E. Mehdi**, Palo Alto, CA (US); **Mi Zhou**, San Jose, CA (US); **Benjamin Zachary Niewood**, San Francisco, CA (US); **Amber Luttmann Volmering**, Newark, CA (US); **Minjung Kim**, Sunnyvale, CA (US)

(73) Assignee: **GOOGLE LLC**, Mountain View, CA (US)

(**) Term: **15 Years**

(21) Appl. No.: **29/605,503**

(22) Filed: **May 26, 2017**

(30) **Foreign Application Priority Data**

Jan. 4, 2017 (EM) 003569169-0001

(51) **LOC (12) Cl.** **16-05**

(52) **U.S. Cl.**
USPC **D16/219**

(58) **Field of Classification Search**
USPC D16/200, 202–205, 208, 211, 214, 218, D16/219, 221, 242; D14/447; 348/143, 348/148, 151, 373–376; 396/419, 427, 396/535, 539–541
CPC G03B 17/02; G03B 19/04; G03B 17/56; G03B 17/04; G03B 15/03; H04N 5/2251; H04N 5/2252; H04N 5/2253; H04N 5/2254;

(Continued)

(56) **References Cited**

U.S. PATENT DOCUMENTS

D701,258 S * 3/2014 Huang D16/203
D702,275 S * 4/2014 Ying D16/203

(Continued)

OTHER PUBLICATIONS

Google Inc., Notification of the Registration of the Community Designs, Registration No. 004020634-0001/004020634-0014, Jul. 6, 2017, 5pgs.

Primary Examiner — Ramzi S Almatrahi
(74) *Attorney, Agent, or Firm* — Morgan, Lewis & Bockius LLP

(57) **CLAIM**

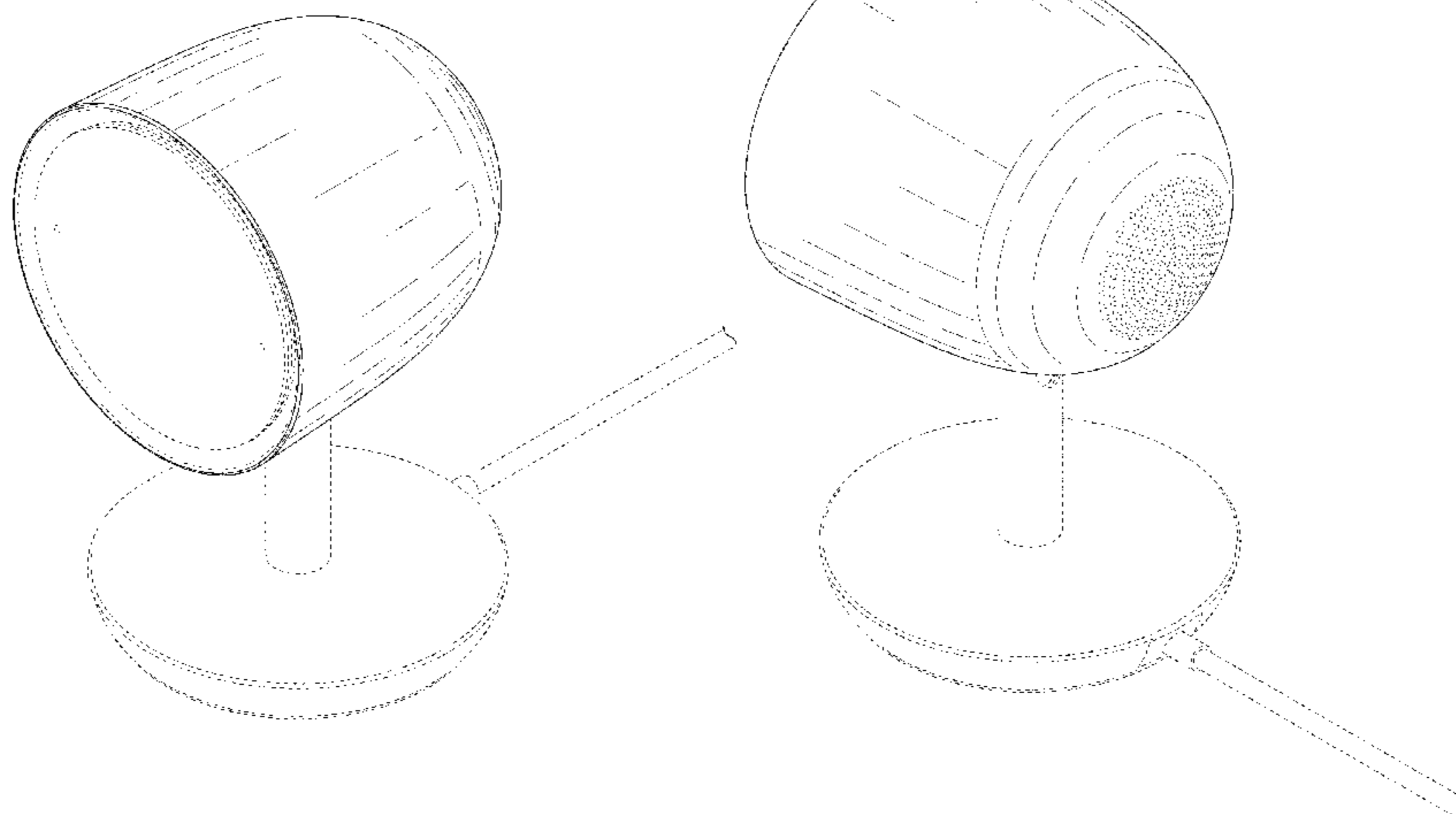
The ornamental design for a camera, as shown and described.

DESCRIPTION

FIG. 1 is a front top perspective view of a camera showing our new design;
FIG. 2 is a front bottom perspective view of the camera shown in FIG. 1;
FIG. 3 is a rear top perspective view of the camera shown in FIG. 1;
FIG. 4 is a top plan view of the camera shown in FIG. 1;
FIG. 5 is a bottom plan view of the camera shown in FIG. 1;
FIG. 6 is a left-side elevational view of the camera shown in FIG. 1;
FIG. 7 is a right-side elevational view of the camera shown in FIG. 1;
FIG. 8 is a rear elevational view of the camera shown in FIG. 1; and,
FIG. 9 is a front elevational view of the camera shown in FIG. 1.

The broken lines shown in the drawings represent portions of the camera that form no part of the claimed design.

1 Claim, 9 Drawing Sheets



(58) **Field of Classification Search**

CPC H04N 7/181; H04N 7/183; H04N 7/18;
G08B 13/1963; G08B 13/19619; G08B
13/19632; F16M 11/04; F16M 13/00
See application file for complete search history.

(56) **References Cited**

U.S. PATENT DOCUMENTS

D722,635	S	*	2/2015	Richardson	D16/203
D742,573	S	*	11/2015	Kern	D26/107
D750,684	S	*	3/2016	Katori	D16/203
D751,620	S	*	3/2016	Hsu	D16/203
D753,753	S	*	4/2016	Moon	D16/203
D762,131	S	*	7/2016	Hays	D10/106.7
D762,132	S	*	7/2016	Hays	D10/106.7
D768,223	S	*	10/2016	Wu	D16/203
D784,434	S	*	4/2017	Benedetti	D16/202
D785,067	S	*	4/2017	Ramones	D16/203
D785,693	S	*	5/2017	Kim	D16/202
D798,359	S	*	9/2017	Huang	D16/203

* cited by examiner

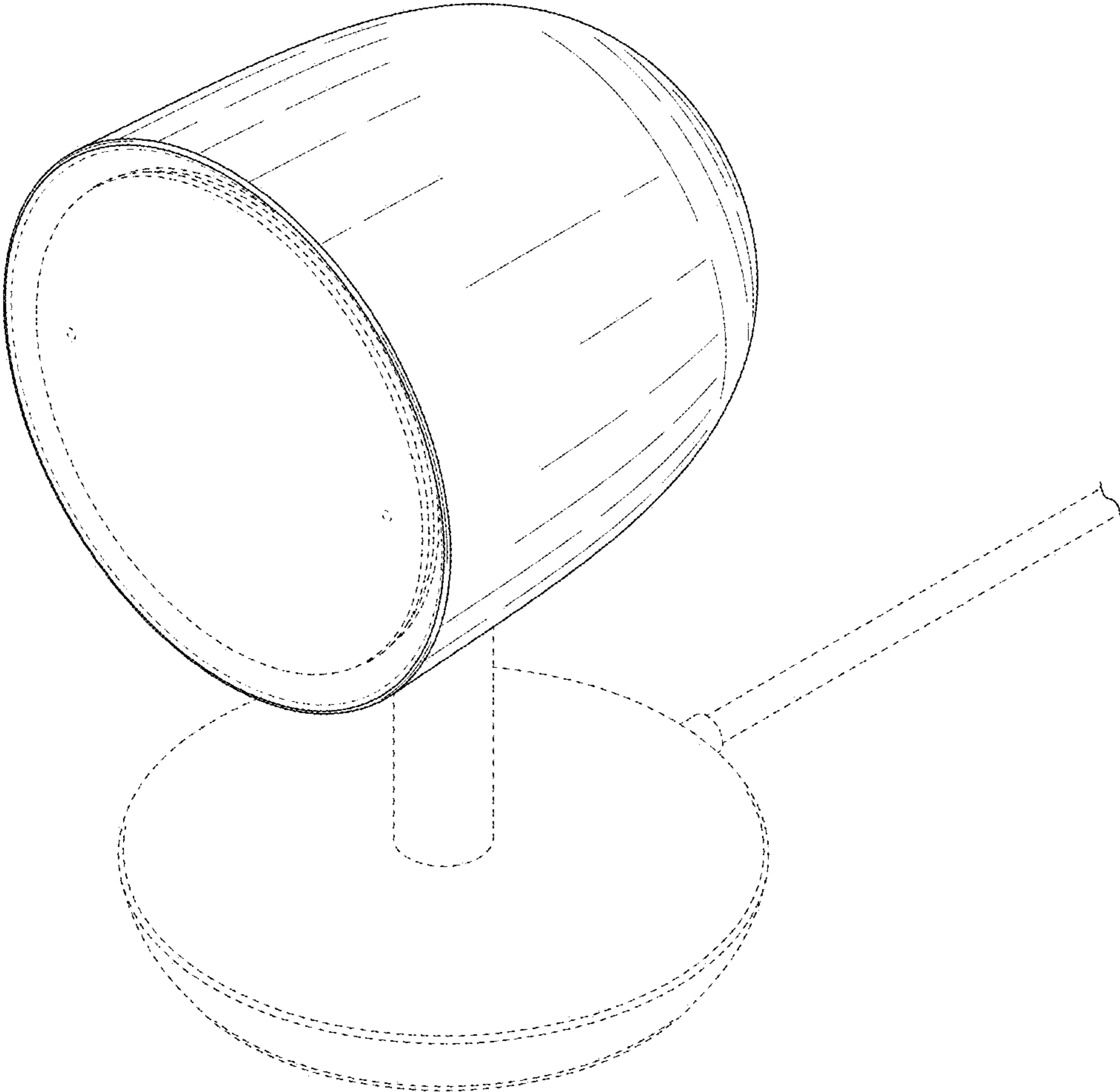


FIG. 1

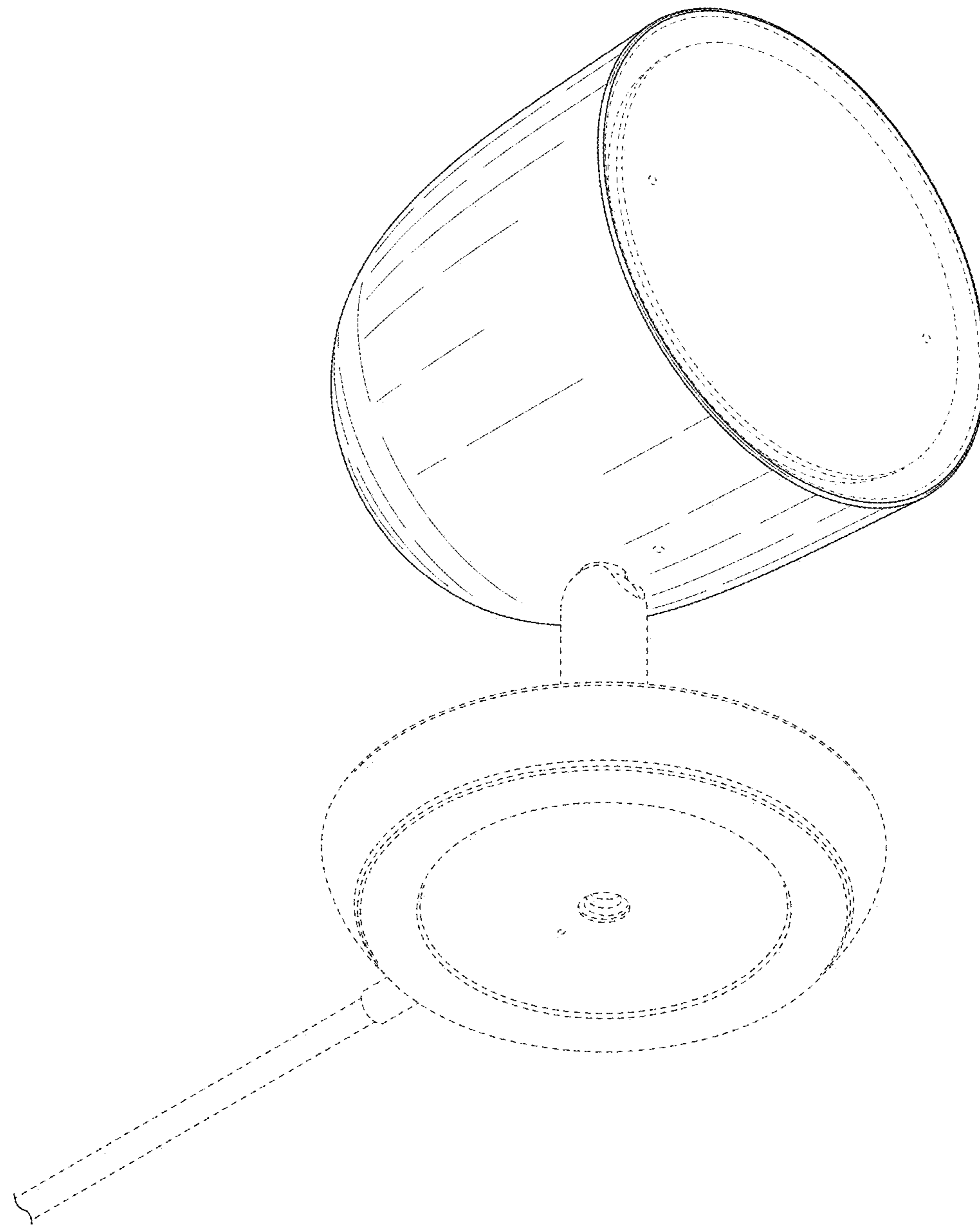


FIG. 2

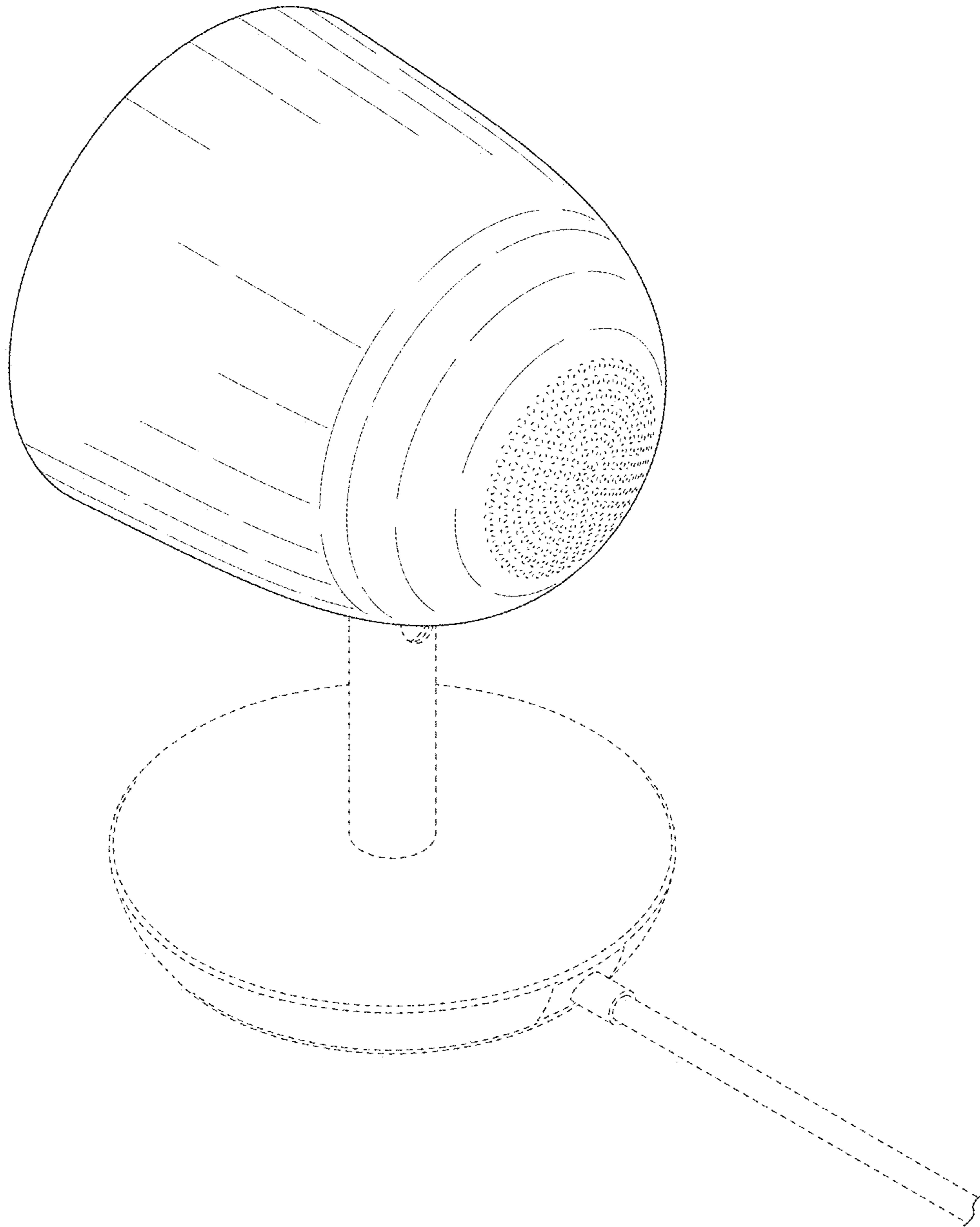


FIG. 3

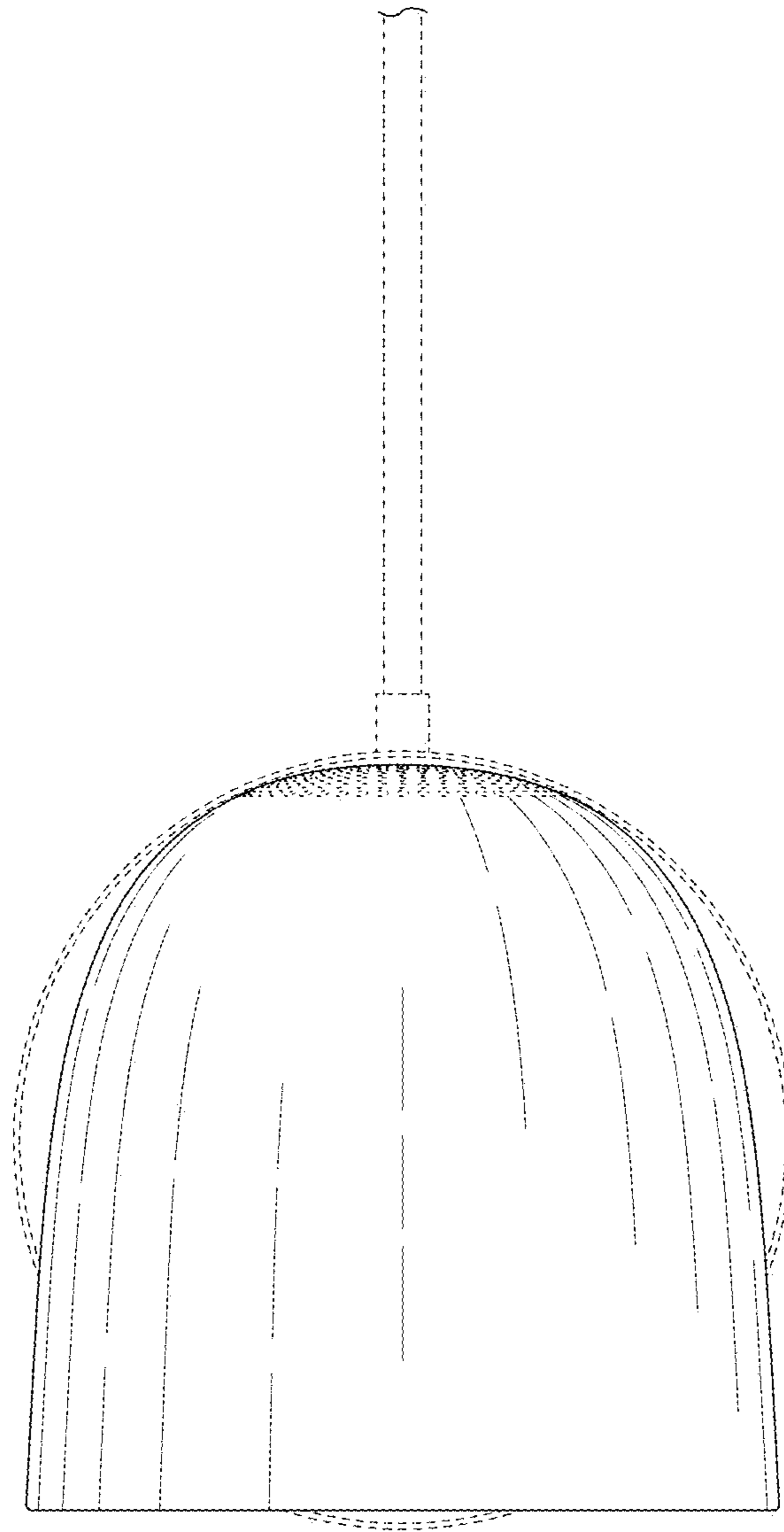


FIG. 4

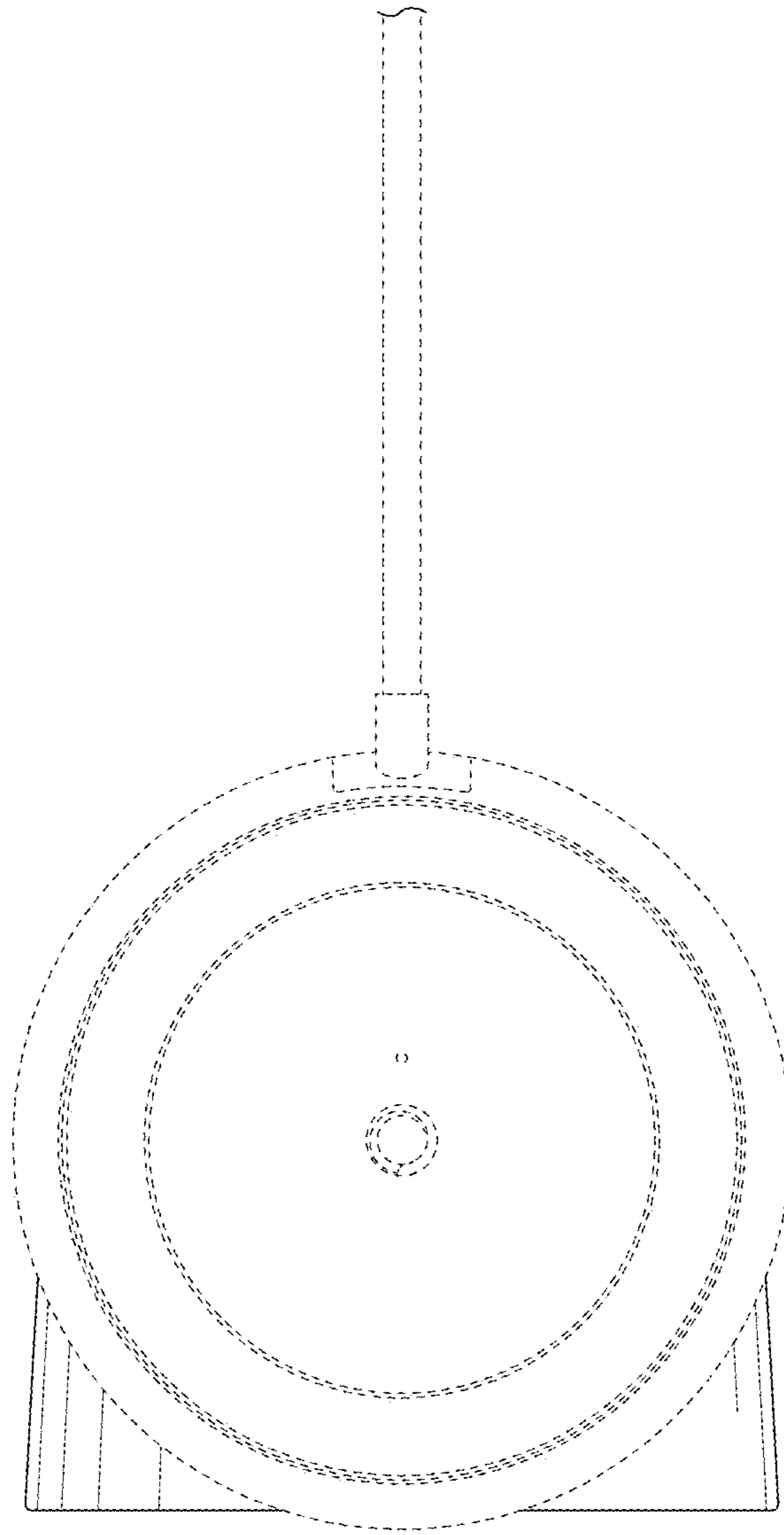


FIG. 5

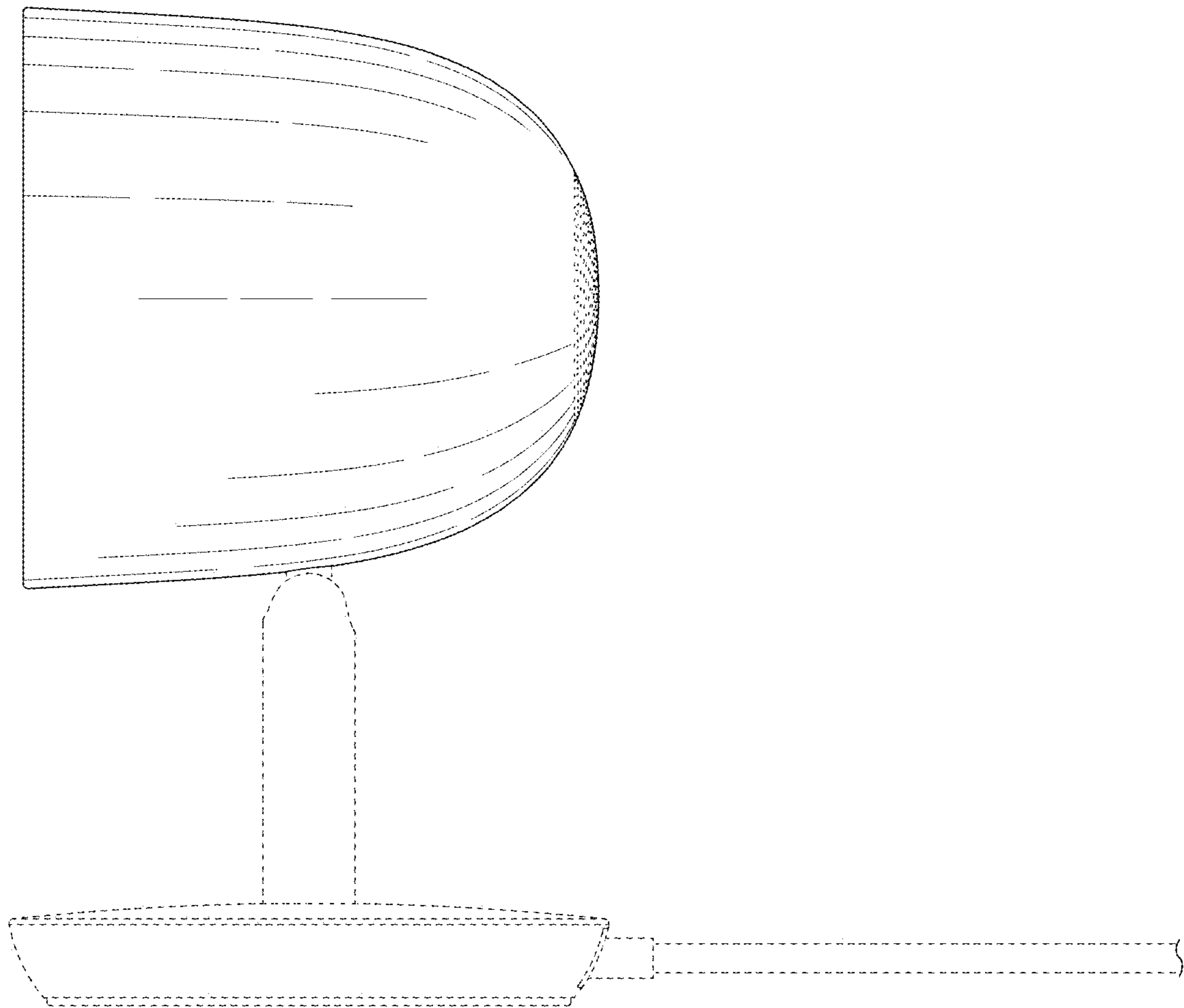


FIG. 6

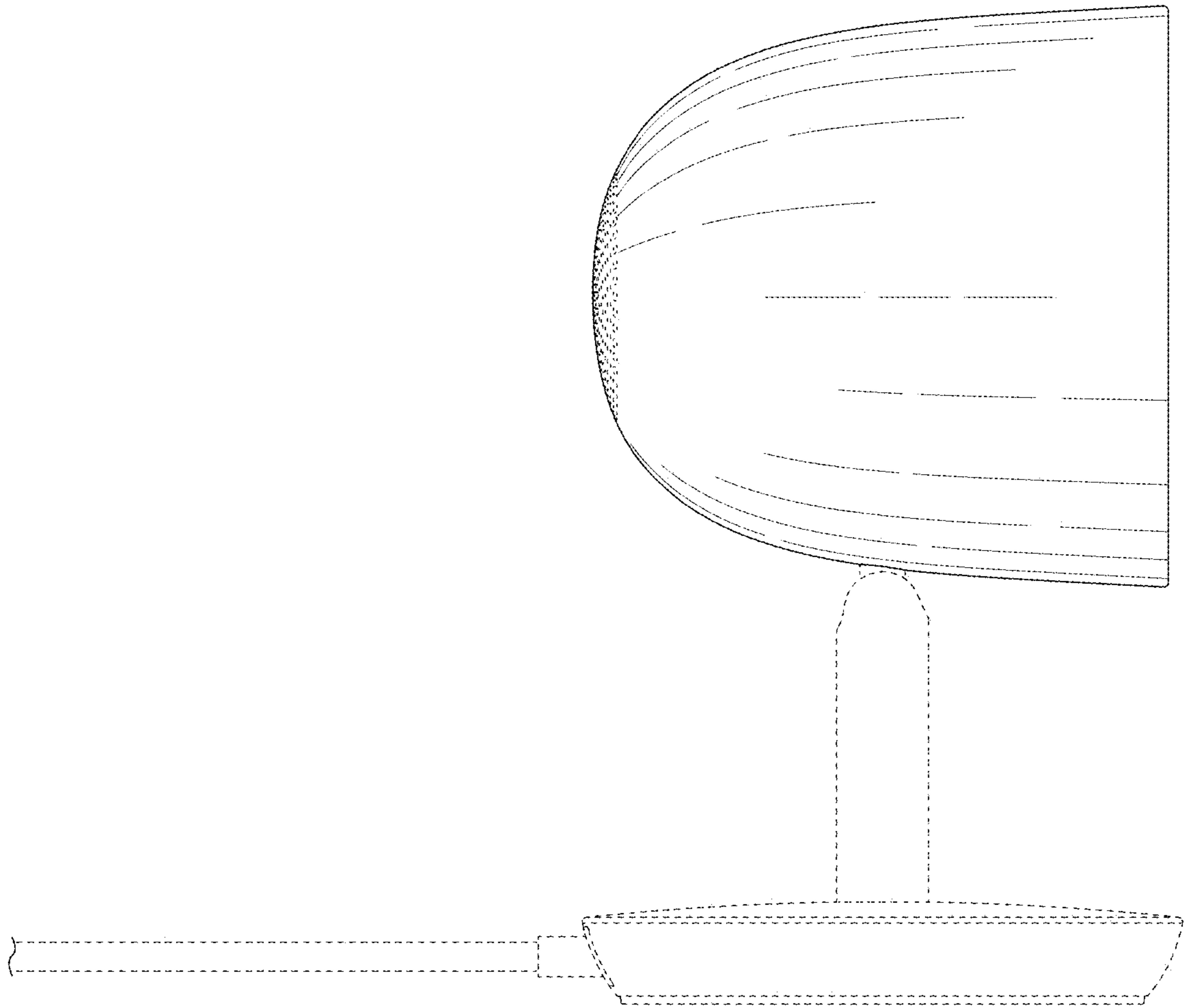


FIG. 7

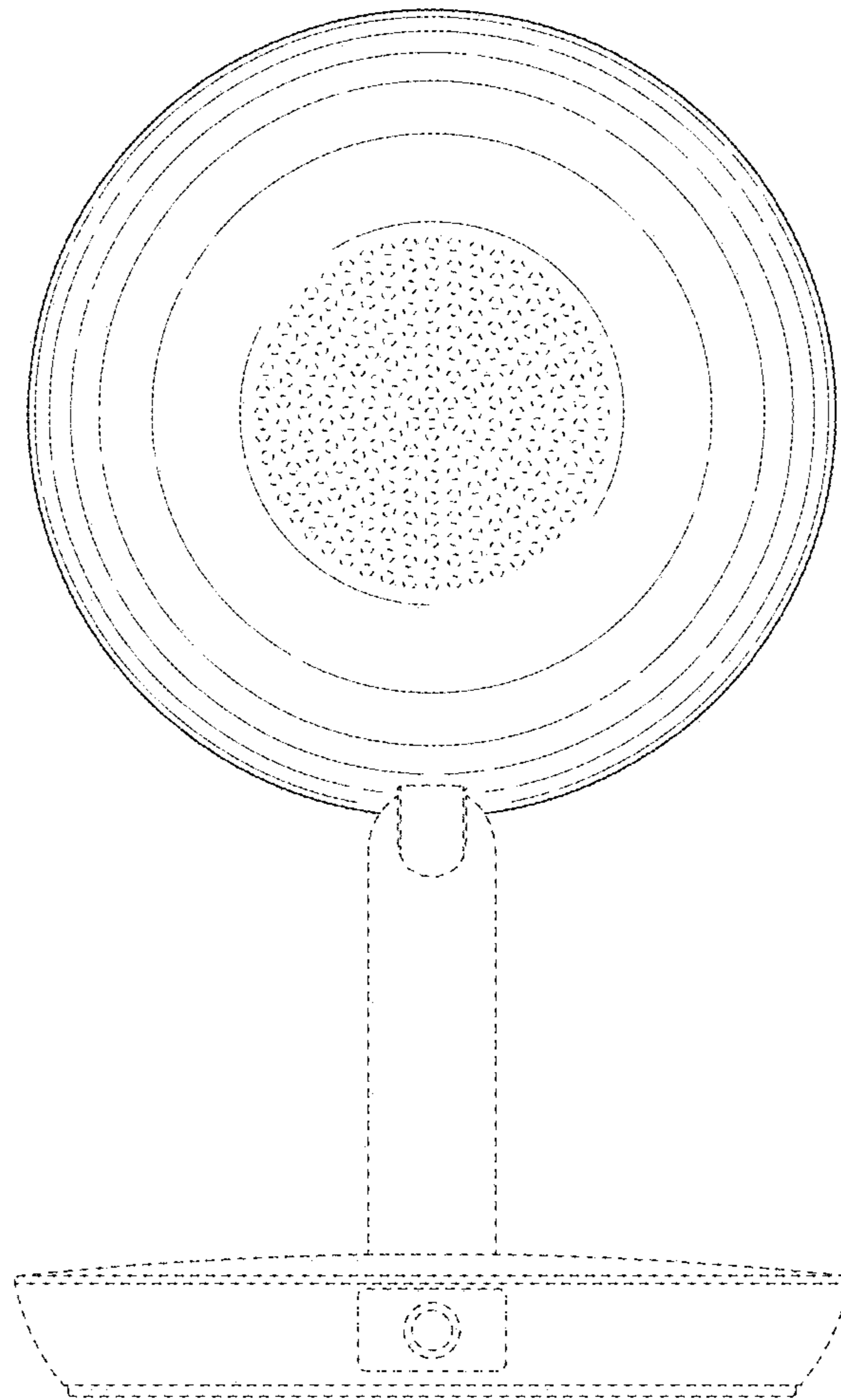


FIG. 8

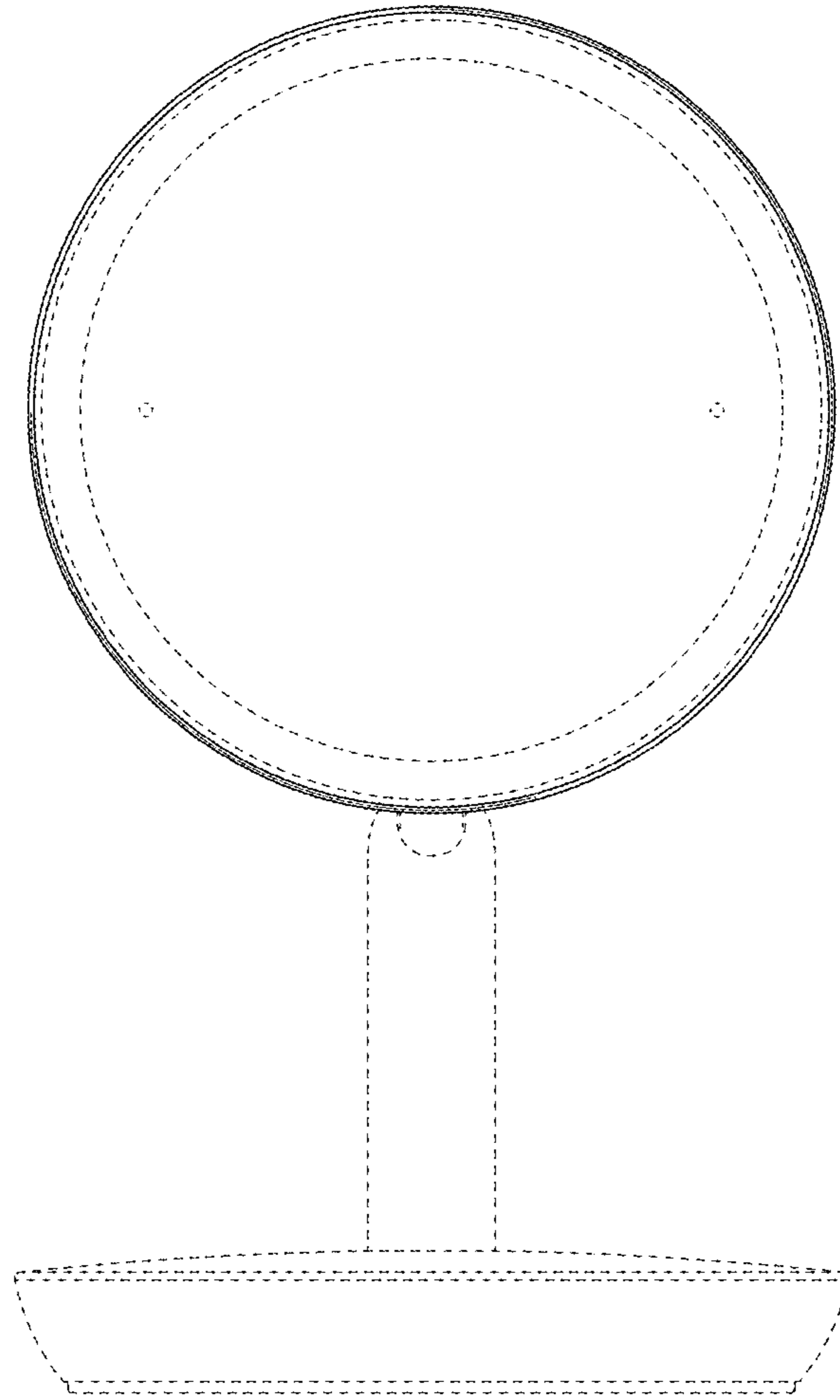


FIG. 9