



US00D879855S

(12) **United States Design Patent**  
**Ohanian**

(10) **Patent No.:** **US D879,855 S**

(45) **Date of Patent:** **\*\* Mar. 31, 2020**

(54) **IP CAMERA**

(71) Applicant: **Ara Ohanian**, Doravill, GA (US)

(72) Inventor: **Ara Ohanian**, Doravill, GA (US)

(\*\*) Term: **15 Years**

(21) Appl. No.: **29/593,170**

(22) Filed: **Feb. 7, 2017**

(51) **LOC (12) Cl.** ..... **16-01**

(52) **U.S. Cl.**  
USPC ..... **D16/203**; D16/219

(58) **Field of Classification Search**  
USPC ..... D16/200, 202–206, 218, 219, 242;  
348/143, 148, 151, 373–376; 396/419,  
396/427, 535, 539–541  
CPC ..... G03B 17/02; G03B 19/04; G03B 17/56;  
G03B 17/04; G03B 15/03; H04N 5/2251;  
H04N 5/2252; H04N 5/2253; H04N  
5/2254; H04N 7/181; H04N 7/183; H04N  
7/18; G08B 13/1963; G08B 13/19619;  
G08B 13/19632; F16M 11/04; F16M  
13/00

See application file for complete search history.

(56) **References Cited**

**U.S. PATENT DOCUMENTS**

D719,957 S \* 12/2014 Elliott ..... D14/440  
D769,870 S \* 10/2016 Dorfstatter ..... D11/158

D795,837 S \* 8/2017 Cai ..... D14/205  
D822,742 S \* 7/2018 Hathway ..... D16/203  
D822,743 S \* 7/2018 Hathway ..... D16/203  
D822,744 S \* 7/2018 Hathway ..... D16/203

\* cited by examiner

*Primary Examiner* — Ramzi S Almatrahi

(74) *Attorney, Agent, or Firm* — Wayne V. Harper

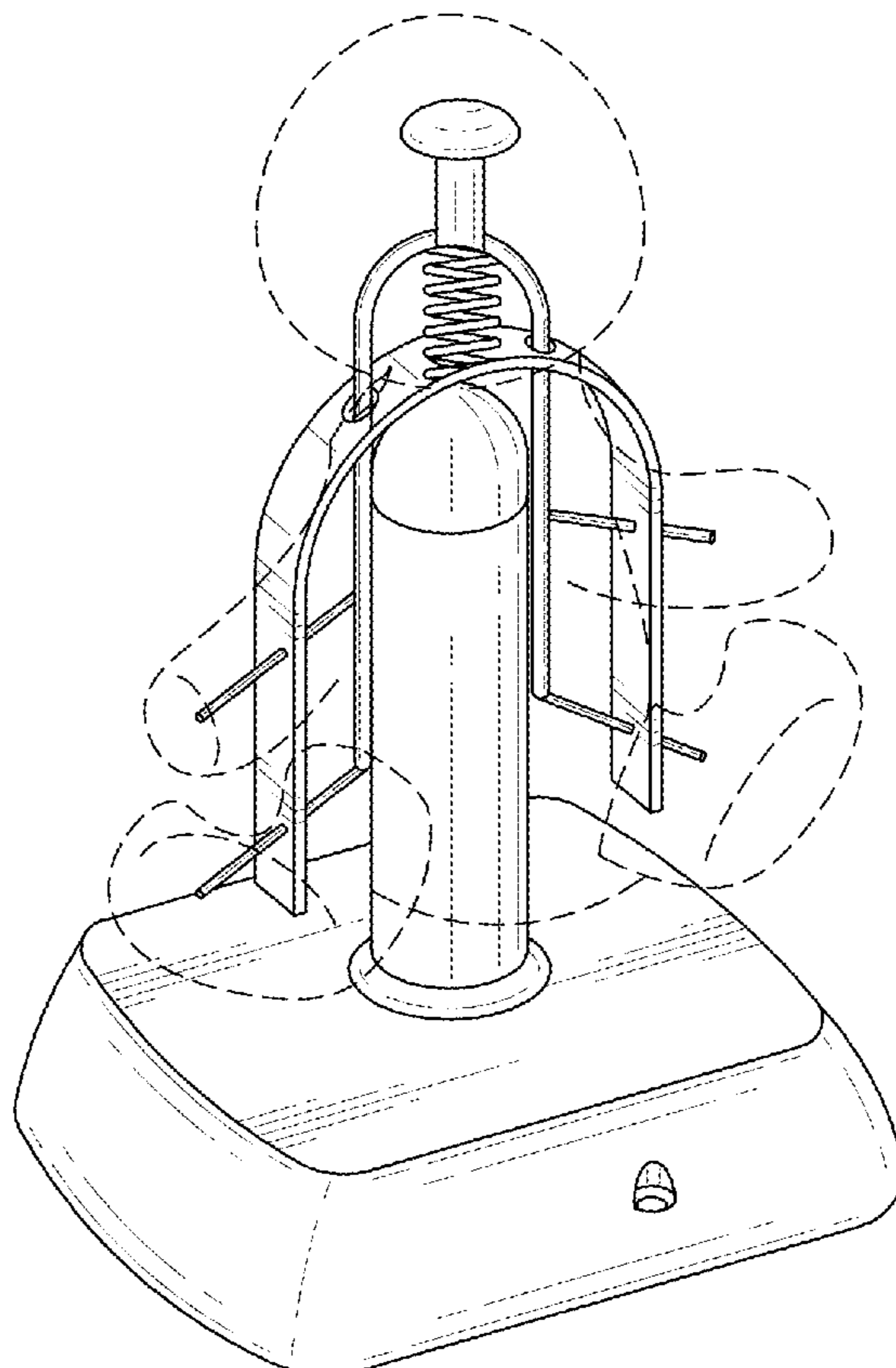
(57) **CLAIM**

I claim the ornamental design for an IP camera, as shown and described.

**DESCRIPTION**

FIG. 1 is a perspective view of an IP camera showing my new design;  
FIG. 2 is a front view thereof;  
FIG. 3 is a rear view thereof;  
FIG. 4 is a side view thereof;  
FIG. 5 is an opposite side view thereof;  
FIG. 6 is a top plan view thereof; and,  
FIG. 7 is an opposite side view thereof.  
The broken lines in the drawing are included for the purpose of illustrating environmental subject matter and form no part of the claimed design.

**1 Claim, 7 Drawing Sheets**



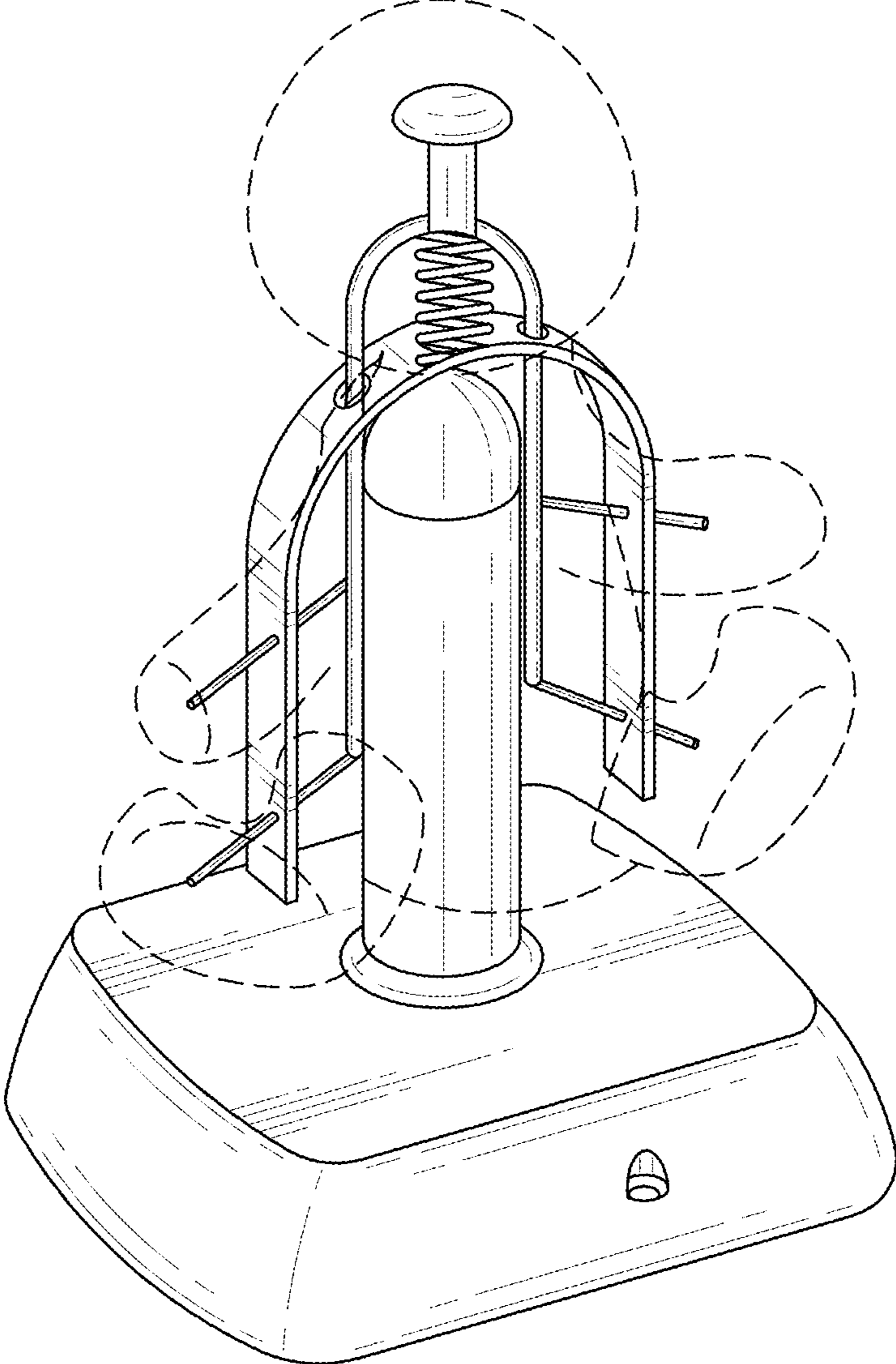


FIG. 1

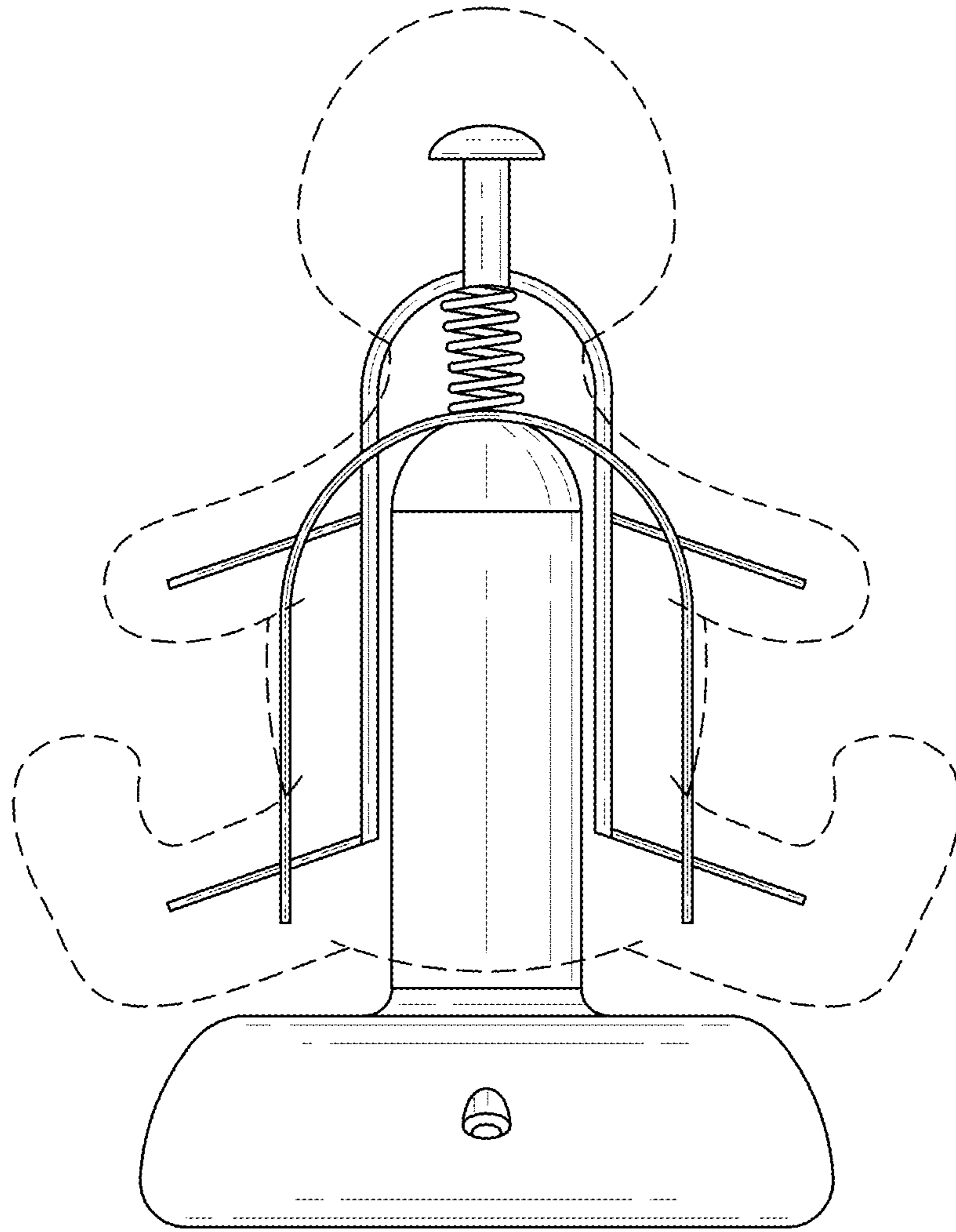


FIG. 2

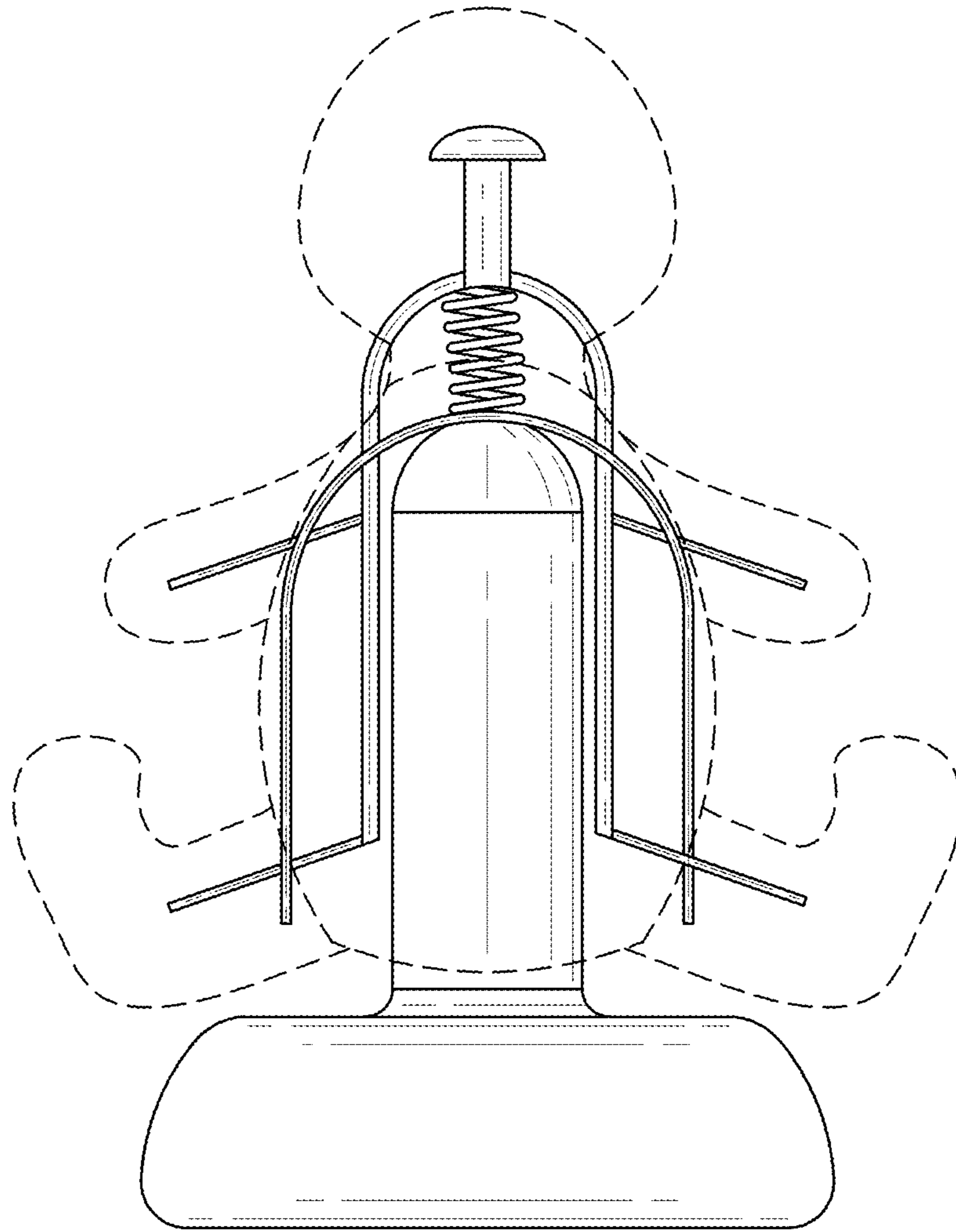


FIG. 3

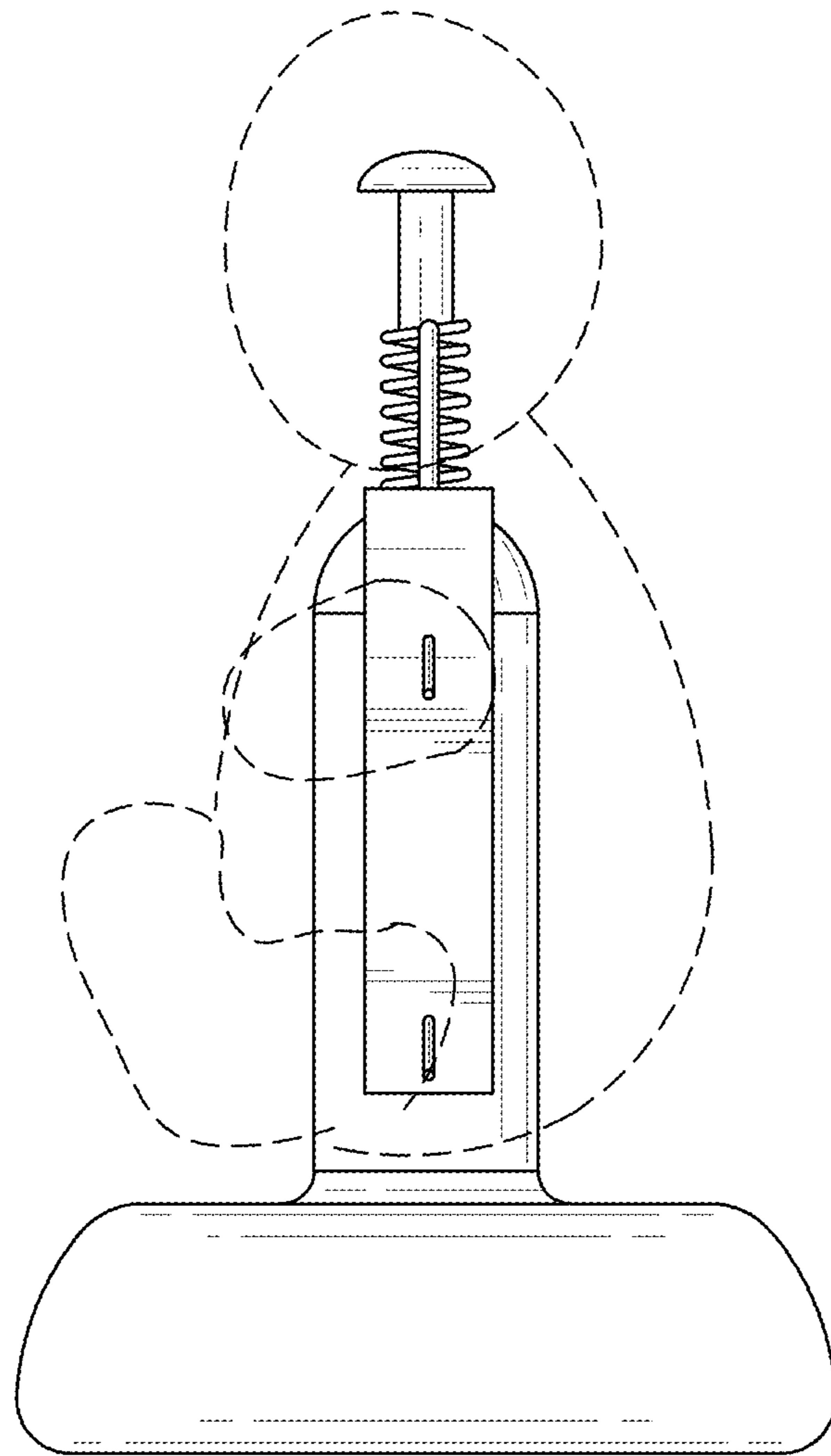


FIG. 4

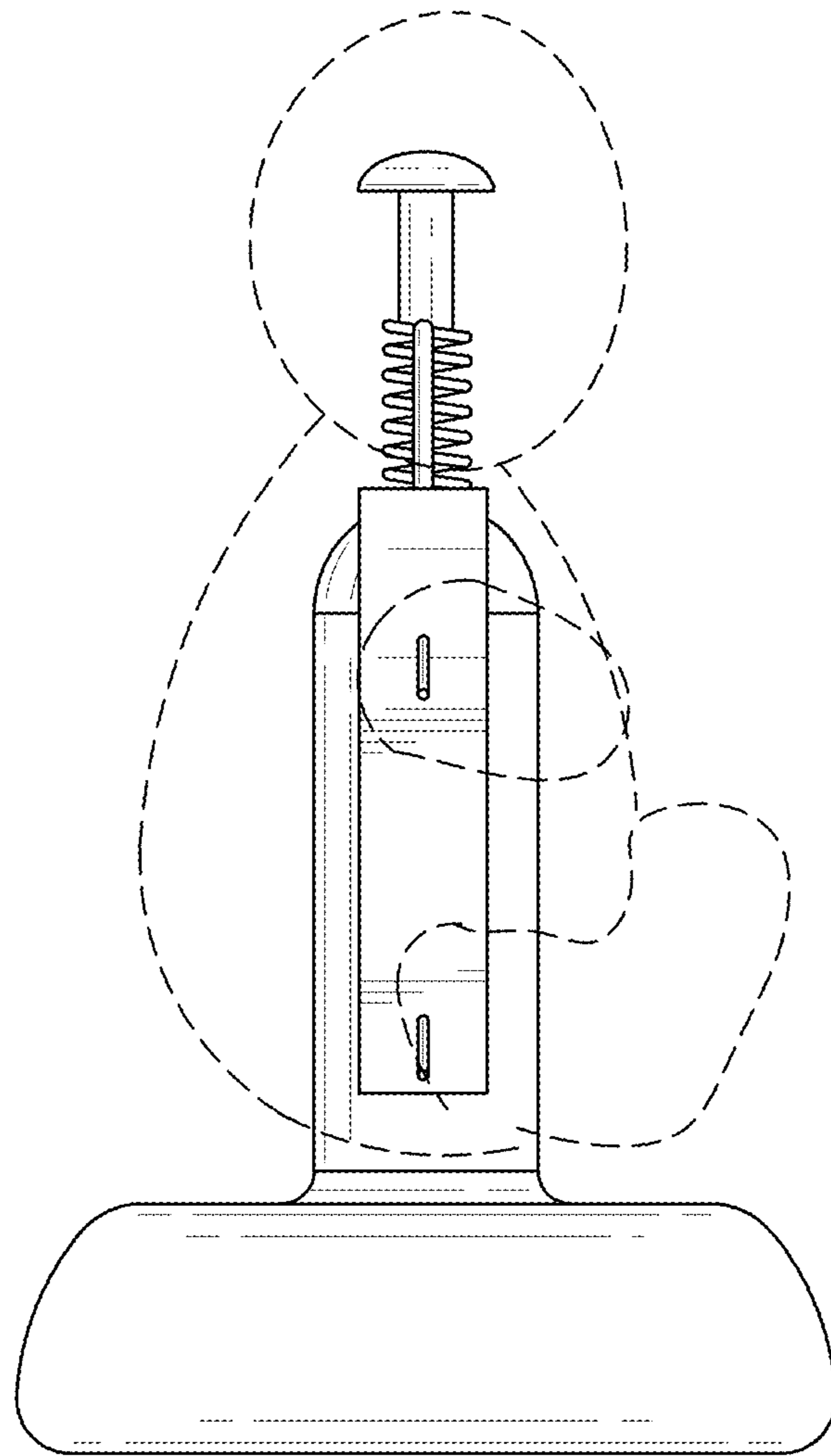


FIG. 5

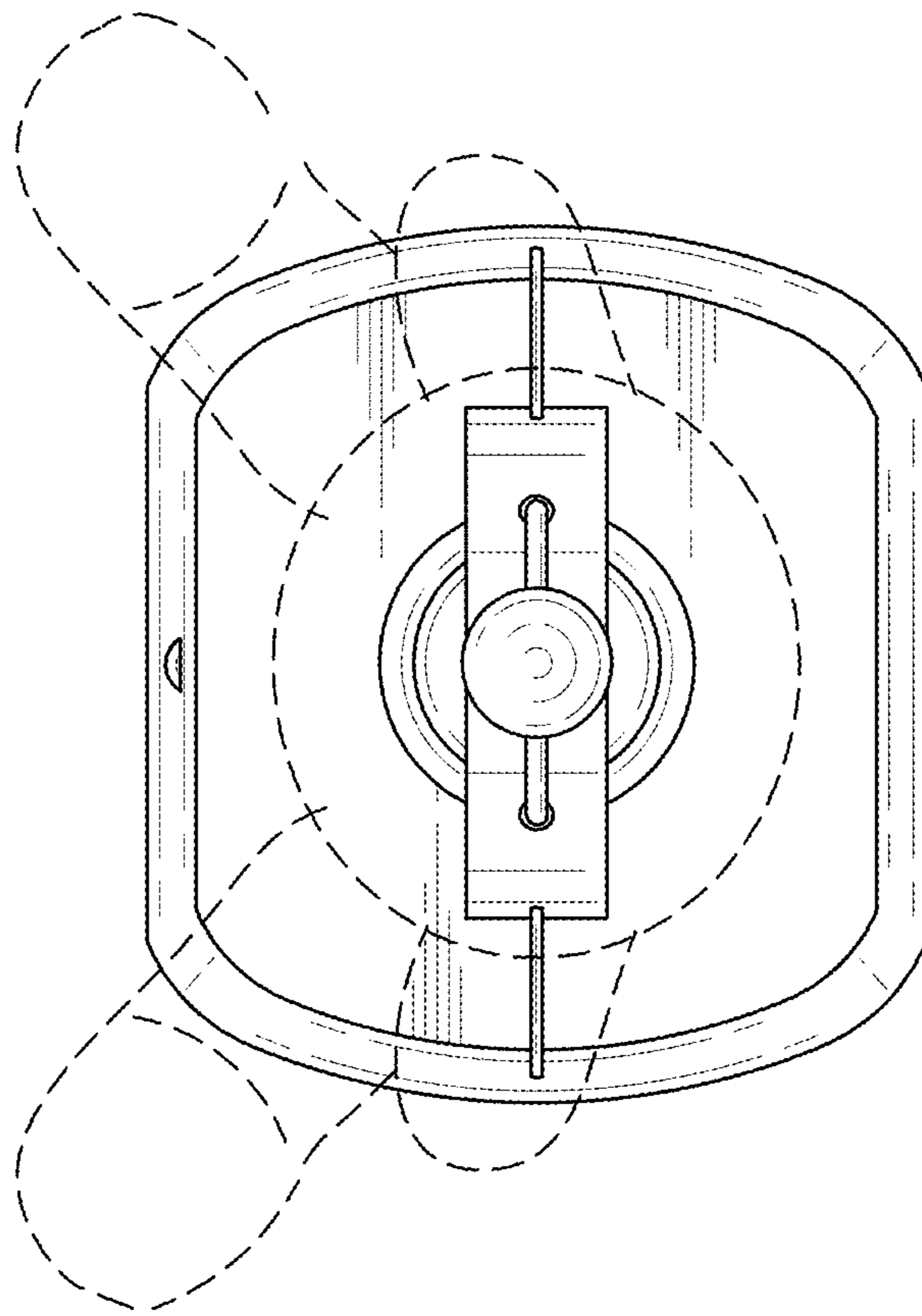


FIG. 6

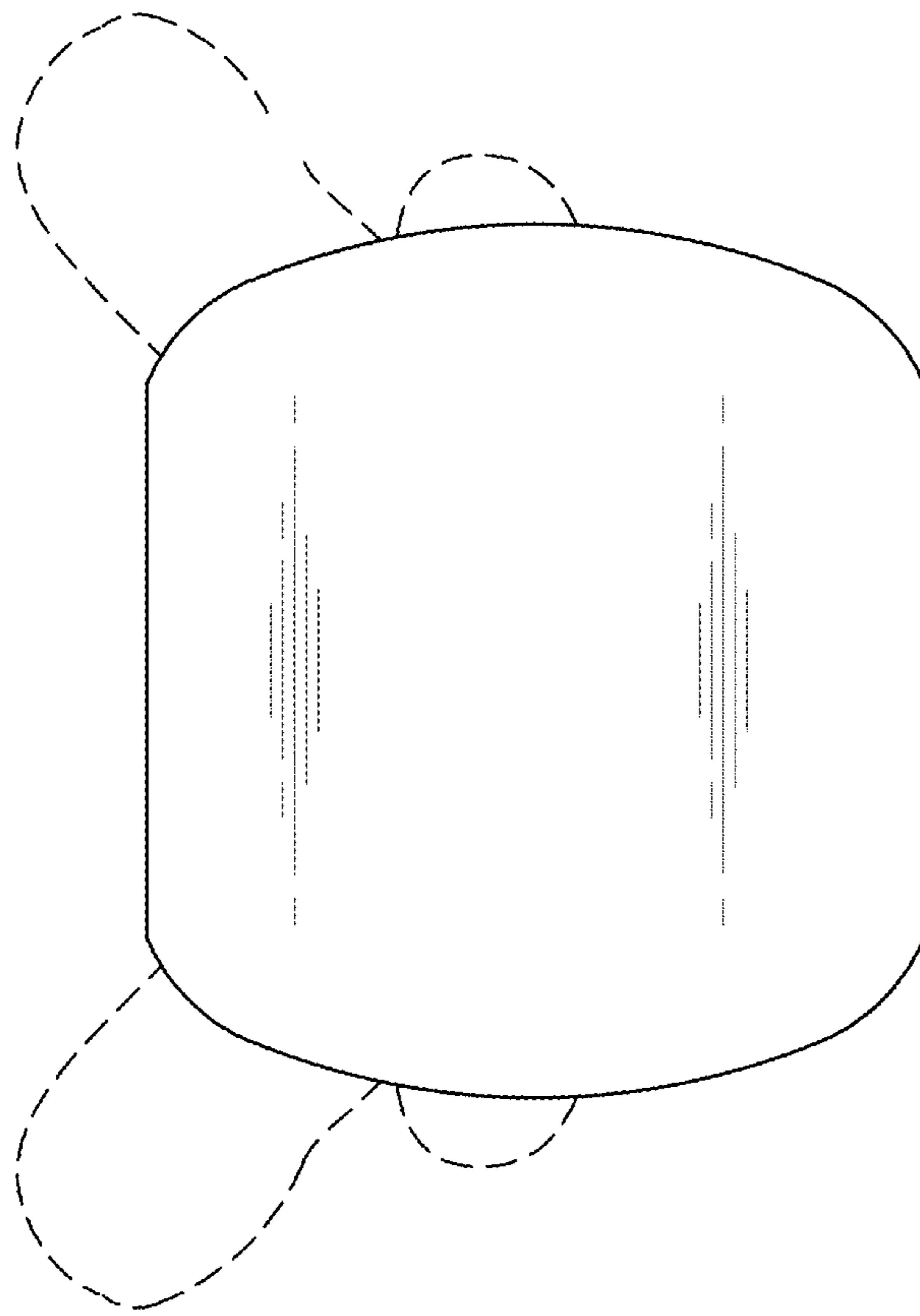


FIG. 7