



US00D879851S

(12) **United States Design Patent** (10) **Patent No.:** **US D879,851 S**
Li (45) **Date of Patent:** **** Mar. 31, 2020**

(54) **ROBOT**

(71) Applicant: **Beijing Geekplus Technology Co., Ltd.**, Chaoyang District, Beijing (CN)

(72) Inventor: **Jianbei Li**, Beijing (CN)

(73) Assignee: **BEIJING GEEKPLUS TECHNOLOGY CO., LTD.**, Chaoyang District, Beijing (CN)

(**) Term: **15 Years**

(21) Appl. No.: **29/654,820**

(22) Filed: **Jun. 27, 2018**

(30) **Foreign Application Priority Data**

Dec. 29, 2017 (JP) 2017 3 0683410

(51) **LOC (12) Cl.** **15-99**

(52) **U.S. Cl.**
USPC **D15/199**

(58) **Field of Classification Search**
USPC D15/199; D21/578-583, 621, 622;
D32/21
CPC B25J 5/007; B25J 9/1694; G05D 1/027;
G05D 1/0011; G05D 1/0231; G05D
1/0242; Y10S 901/01; Y10S 901/46;
Y10S 901/49

See application file for complete search history.

(56) **References Cited**

U.S. PATENT DOCUMENTS

D700,923 S * 3/2014 Lin D15/143
D810,799 S * 2/2018 Sokuza D15/199
D812,663 S * 3/2018 Waters D15/199
D832,372 S * 10/2018 Huang D21/578
D839,331 S * 1/2019 Nilsson D15/199
D853,461 S * 7/2019 Cheikh D15/199

D857,773 S * 8/2019 Muraishi D15/199
D863,387 S * 10/2019 Wang D15/199
D864,270 S * 10/2019 Hu D15/199
D865,021 S * 10/2019 Hu D15/199
10,493,624 B1 * 12/2019 Nabat B25J 9/1633
2006/0186561 A1 * 8/2006 Song A47L 7/04
261/26
2009/0035181 A1 * 2/2009 Chung A61B 5/00
422/68.1
2010/0228394 A1 * 9/2010 Yi G05D 1/0246
700/253
2012/0026481 A1 * 2/2012 Chen G05D 1/0242
356/4.01
2015/0020326 A1 * 1/2015 Schnittman A47L 11/34
15/52.1
2015/0166060 A1 * 6/2015 Smith B60W 30/09
701/23
2016/0271795 A1 * 9/2016 Vicenti B25J 9/163
2017/0038776 A1 * 2/2017 Gariepy G05D 1/0022
2017/0150863 A1 * 6/2017 Kim A47L 9/2805
2017/0269212 A1 * 9/2017 Strang G01S 7/4816
2017/0332862 A1 * 11/2017 Jun G05D 1/0248

(Continued)

Primary Examiner — Patricia A Palasik

(74) *Attorney, Agent, or Firm* — Stoel Rives LLP

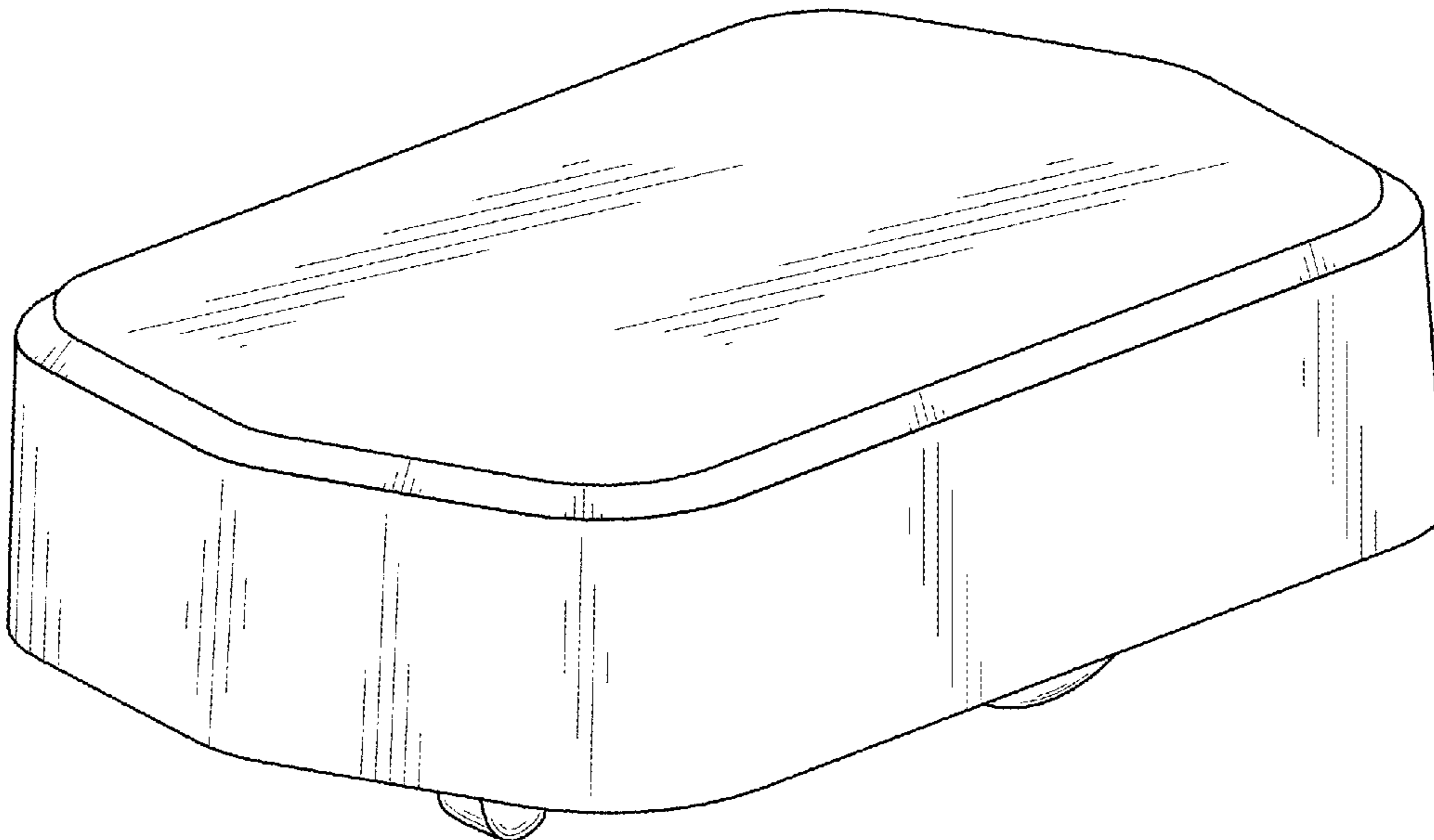
(57) **CLAIM**

The ornamental design for a robot, as shown and described.

DESCRIPTION

FIG. 1 is a front view of the design for a robot;
FIG. 2 is a rear view thereof;
FIG. 3 is a left view thereof;
FIG. 4 is a right view thereof;
FIG. 5 is a top view thereof;
FIG. 6 is a bottom view thereof; and,
FIG. 7 is a perspective view thereof.
The dashed lines in the drawings are for the purposes of illustrating portions of the robot that form no part of the claimed design.

1 Claim, 5 Drawing Sheets



(56)

References Cited

U.S. PATENT DOCUMENTS

2017/0332872	A1 *	11/2017	Jun	G06T 7/521
2018/0186001	A1 *	7/2018	Scheurer	B25J 9/162
2018/0192842	A1 *	7/2018	Sung	A47L 9/009
2018/0213987	A1 *	8/2018	Hong	A47L 9/02
2018/0213992	A1 *	8/2018	Koetz	A47L 9/0411
2018/0284786	A1 *	10/2018	Moshkina-Martinson	A47L 9/2847
2018/0329409	A1 *	11/2018	Huang	G05D 1/0246
2019/0014964	A1 *	1/2019	Velasquez	A47L 11/34
2019/0015990	A1 *	1/2019	Hillen	B25J 9/1697
2019/0133396	A1 *	5/2019	Lim	A47L 9/28
2019/0174987	A1 *	6/2019	Strang	A47L 9/2857
2019/0176330	A1 *	6/2019	Noh	B25J 9/1697
2019/0208970	A1 *	7/2019	Suchman	A47L 7/0028
2019/0282050	A1 *	9/2019	Hyun	A47L 9/16
2019/0332115	A1 *	10/2019	Lim	A47L 9/28

* cited by examiner

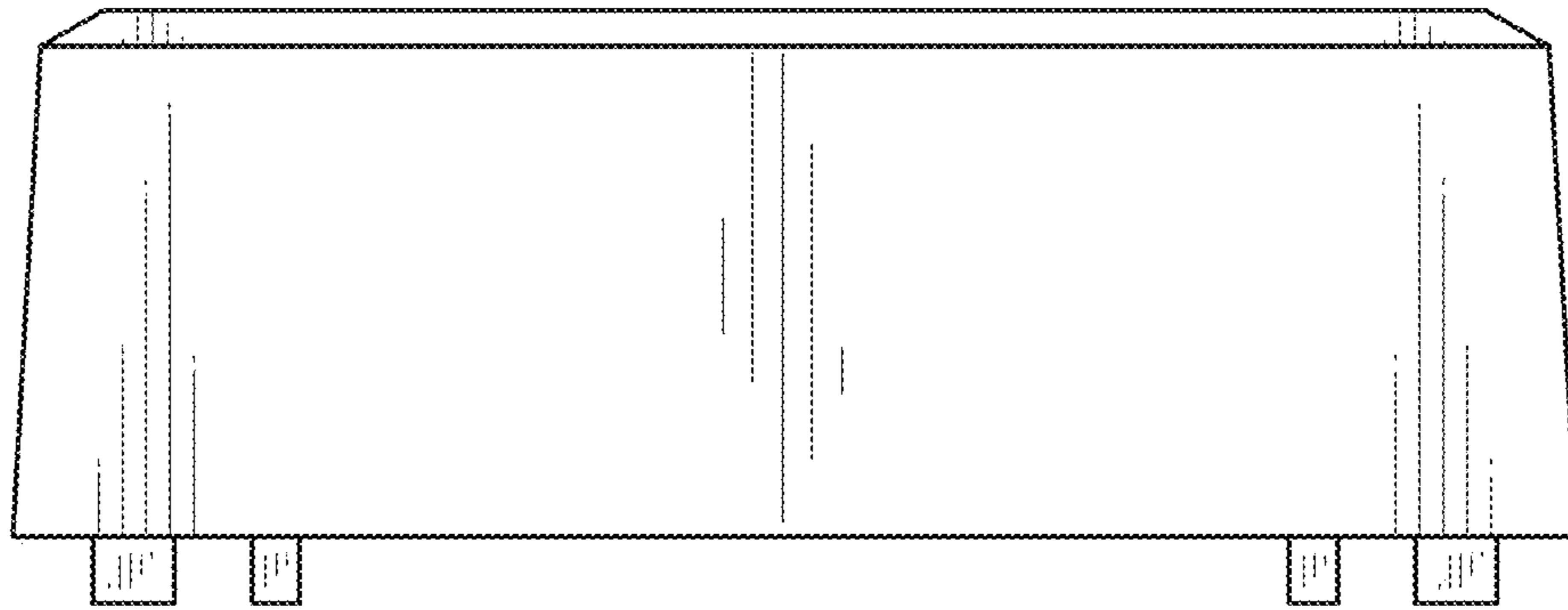


FIG. 1

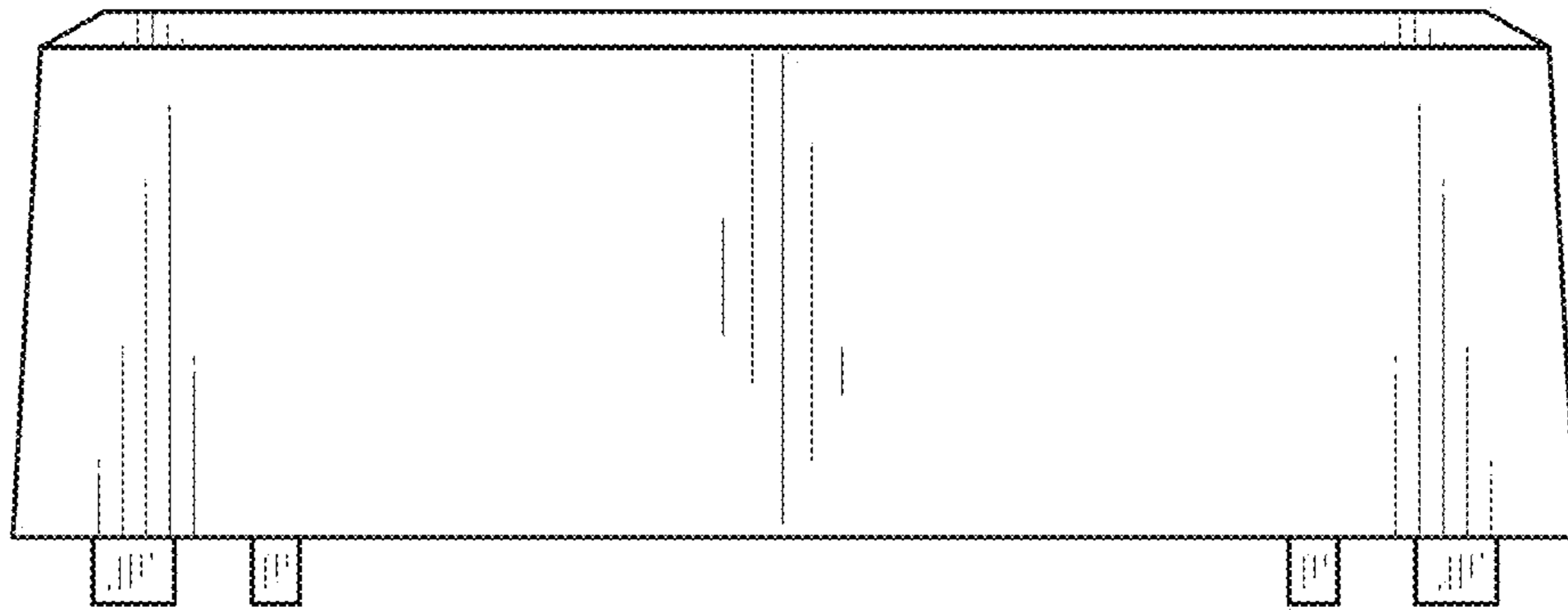


FIG. 2

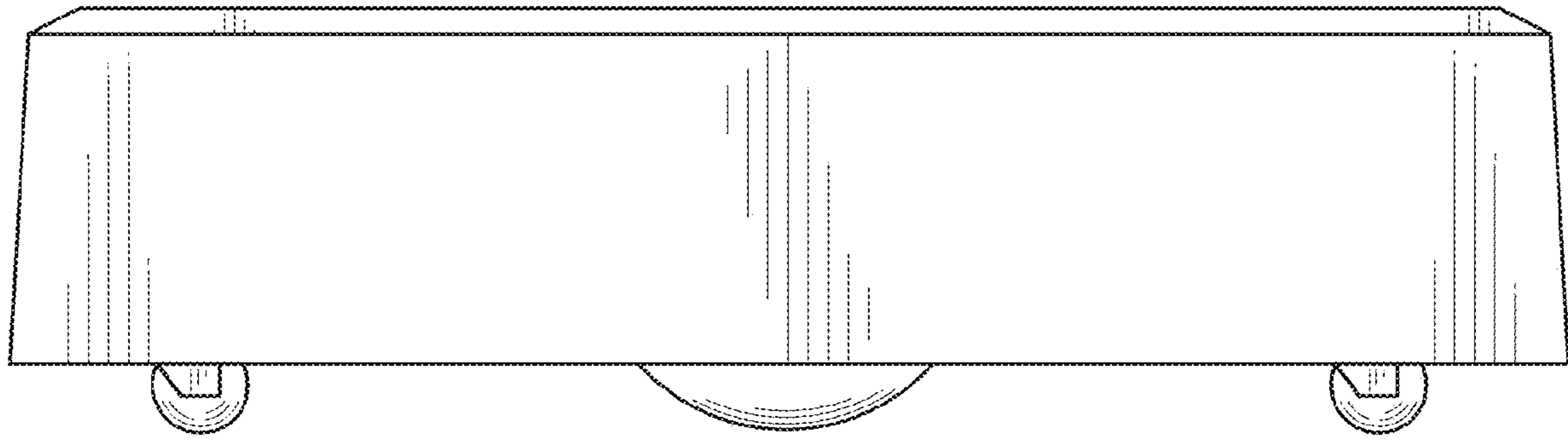


FIG. 3

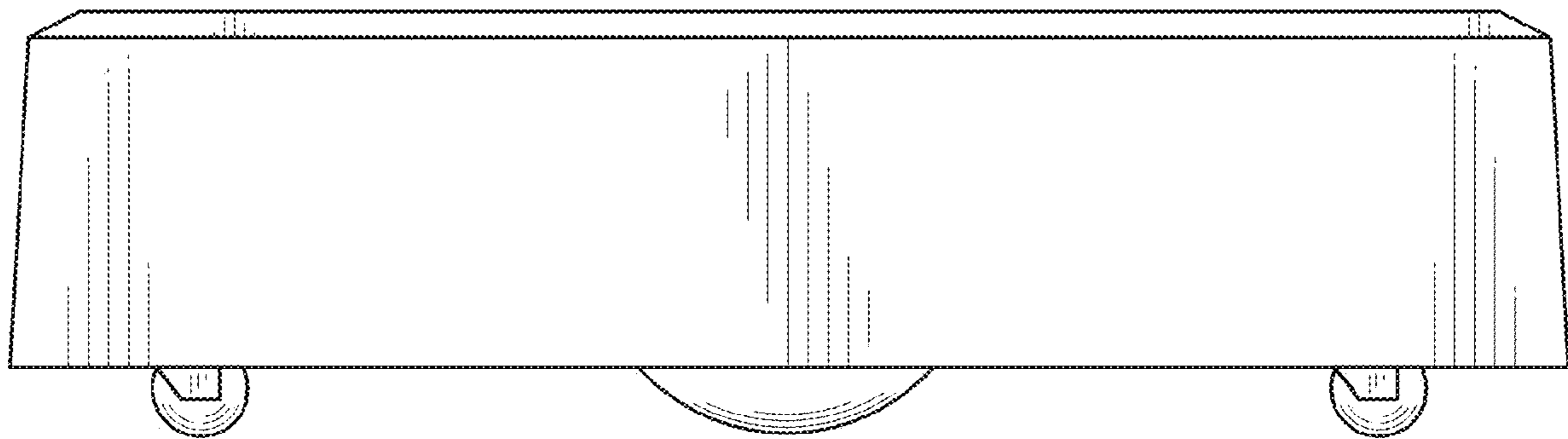


FIG. 4

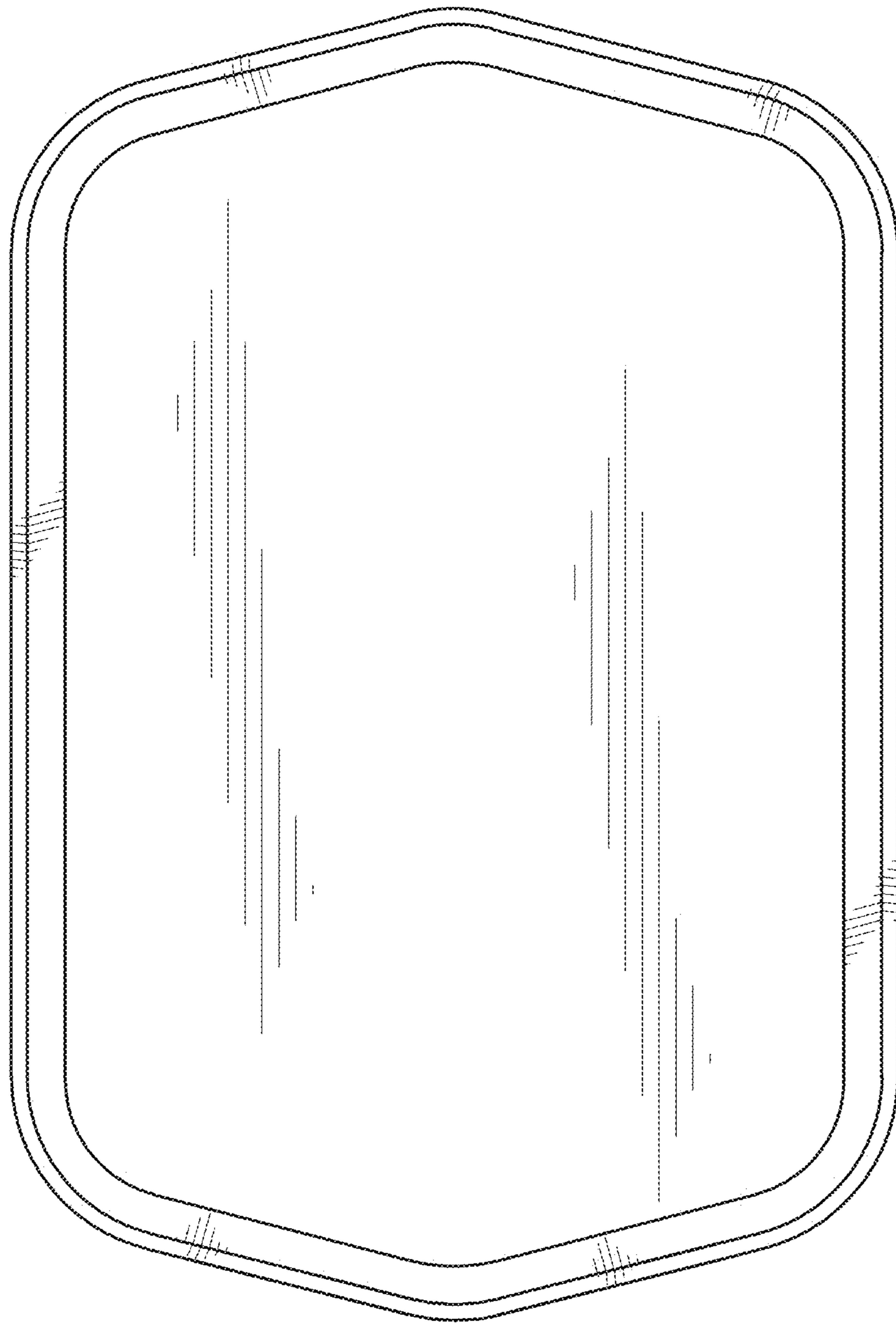


FIG. 5

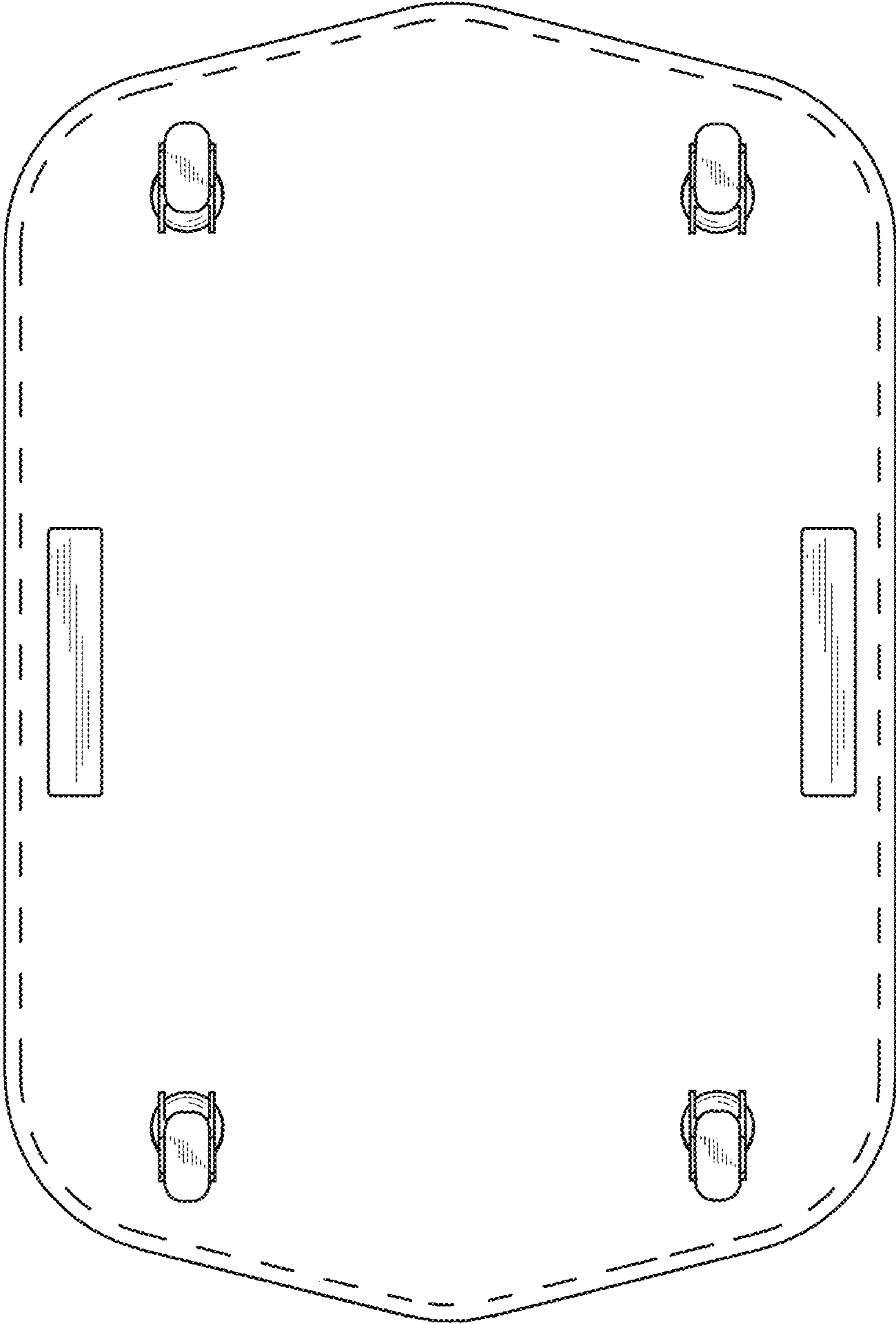


FIG. 6

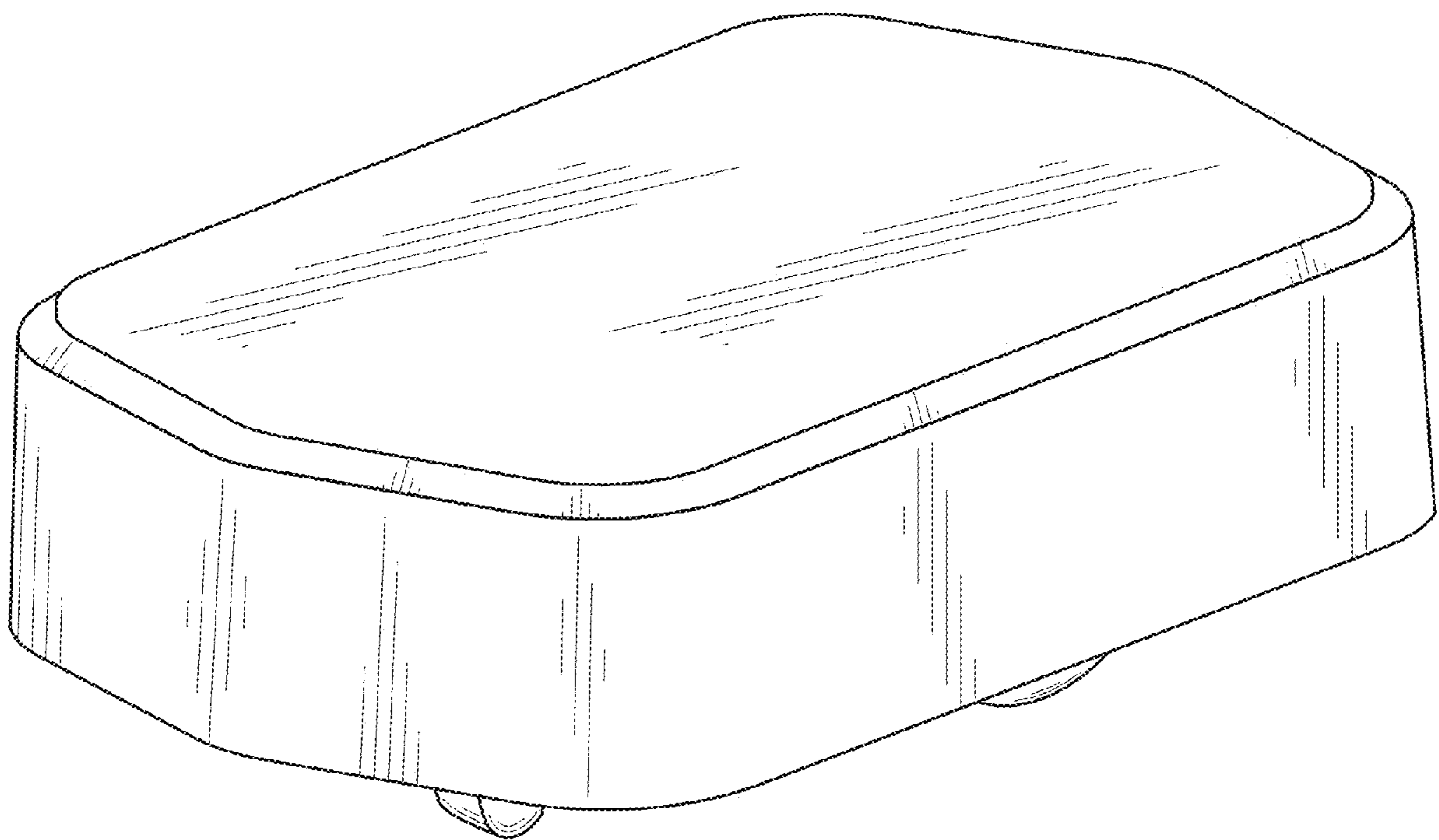


FIG. 7