



US00D879850S

(12) **United States Design Patent**  
**Wolf**

(10) **Patent No.:** **US D879,850 S**

(45) **Date of Patent:** **\*\* Mar. 31, 2020**

(54) **3D PRINTER ENCLOSURE**

D763,330 S \* 8/2016 Olive ..... D15/122  
D770,545 S \* 11/2016 Olive ..... D15/122  
D771,164 S \* 11/2016 Noorazar ..... D15/122

(71) Applicant: **WOLF & ASSOCIATES, INC.**,  
Fountain Valley, CA (US)

(Continued)

(72) Inventor: **Erick Packard Wolf**, Corona del Mar,  
CA (US)

*Primary Examiner* — Patricia A Palasik

(74) *Attorney, Agent, or Firm* — Knobbe Martens Olson  
& Bear LLP

(\*\*) Term: **15 Years**

(57) **CLAIM**

The ornamental design for a 3D printer enclosure, as shown  
and described.

(21) Appl. No.: **29/654,513**

**DESCRIPTION**

(22) Filed: **Jun. 25, 2018**

(51) **LOC (12) Cl.** ..... **15-99**

(52) **U.S. Cl.**  
USPC ..... **D15/199**

(58) **Field of Classification Search**  
USPC ..... D15/122, 135, 138, 145, 146; D18/6-7,  
D18/14, 19, 50, 54, 54.1, 55, 59  
CPC .. B29C 47/12; B29C 67/0059; B29C 67/6659  
See application file for complete search history.

FIG. 1 is a top-side isometric view of a first embodiment of  
the design for a 3D printer enclosure;  
FIG. 2 is a bottom-side isometric view thereof;  
FIG. 3 is a front elevation view thereof;  
FIG. 4 is a rear elevation view thereof;  
FIG. 5 is a left side elevation view thereof;  
FIG. 6 is a right side elevation view thereof;  
FIG. 7 is a top plan view thereof; and  
FIG. 8 is a bottom plan view thereof.  
FIG. 9 is a top-side isometric view of a second embodiment  
of the design for a 3D printer enclosure;  
FIG. 10 is a bottom-side isometric view thereof;  
FIG. 11 is a front elevation view thereof;  
FIG. 12 is a rear elevation view thereof;  
FIG. 13 is a left side elevation view thereof;  
FIG. 14 is a right side elevation view thereof;  
FIG. 15 is a top plan view thereof; and,  
FIG. 16 is a bottom plan view thereof.

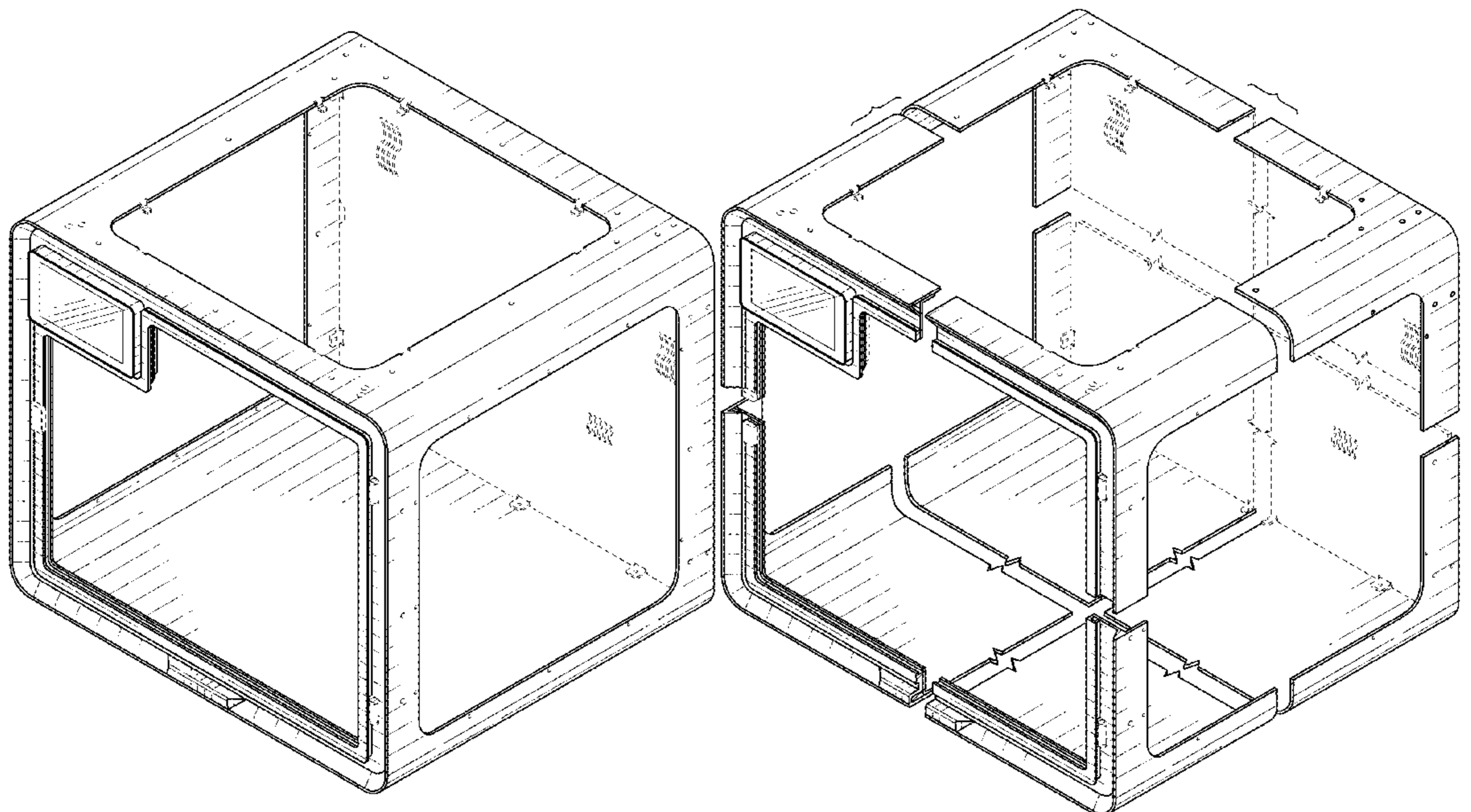
(56) **References Cited**

U.S. PATENT DOCUMENTS

D432,160 S *	10/2000	Kabumoto	.....	D18/37
D506,465 S *	6/2005	Geeng	.....	D14/308
D565,648 S *	4/2008	Egami	.....	D18/50
D677,723 S *	3/2013	Buel	.....	D18/59
D711,463 S *	8/2014	Costabeber	.....	D14/300
D732,586 S *	6/2015	Chen	.....	D15/122
D732,587 S *	6/2015	Hsu	.....	D15/122
D733,196 S *	6/2015	Wolf	.....	D15/122
D745,069 S *	12/2015	Kemperle	.....	D15/122
D745,903 S *	12/2015	Armani	.....	D15/122
D746,881 S *	1/2016	Anantha	.....	D15/122
D749,153 S *	2/2016	Anantha	.....	D15/122
D749,154 S *	2/2016	Kemperle	.....	D15/122
D749,155 S *	2/2016	Kemperle	.....	D15/122
D752,661 S *	3/2016	Anantha	.....	D15/122
D760,306 S *	6/2016	Wolf	.....	D15/122
D760,825 S *	7/2016	Solorzano	.....	D15/122

The dash-dash broken lines are used to illustrate portions of  
the 3D printer enclosure which form no part of the claimed  
design. The dot-dash broken lines represent boundary lines  
and form no part of the claimed design.  
The article is shown with a symbolic break in its length. The  
appearance of any portion of the article between the break  
lines forms no part of the claimed design.

**1 Claim, 16 Drawing Sheets**



(56)

**References Cited**

U.S. PATENT DOCUMENTS

D776,727 S \* 1/2017 Wolf ..... D15/122  
D810,156 S \* 2/2018 Lin ..... D15/135  
10,195,778 B2 \* 2/2019 Wolf ..... B33Y 30/00

\* cited by examiner

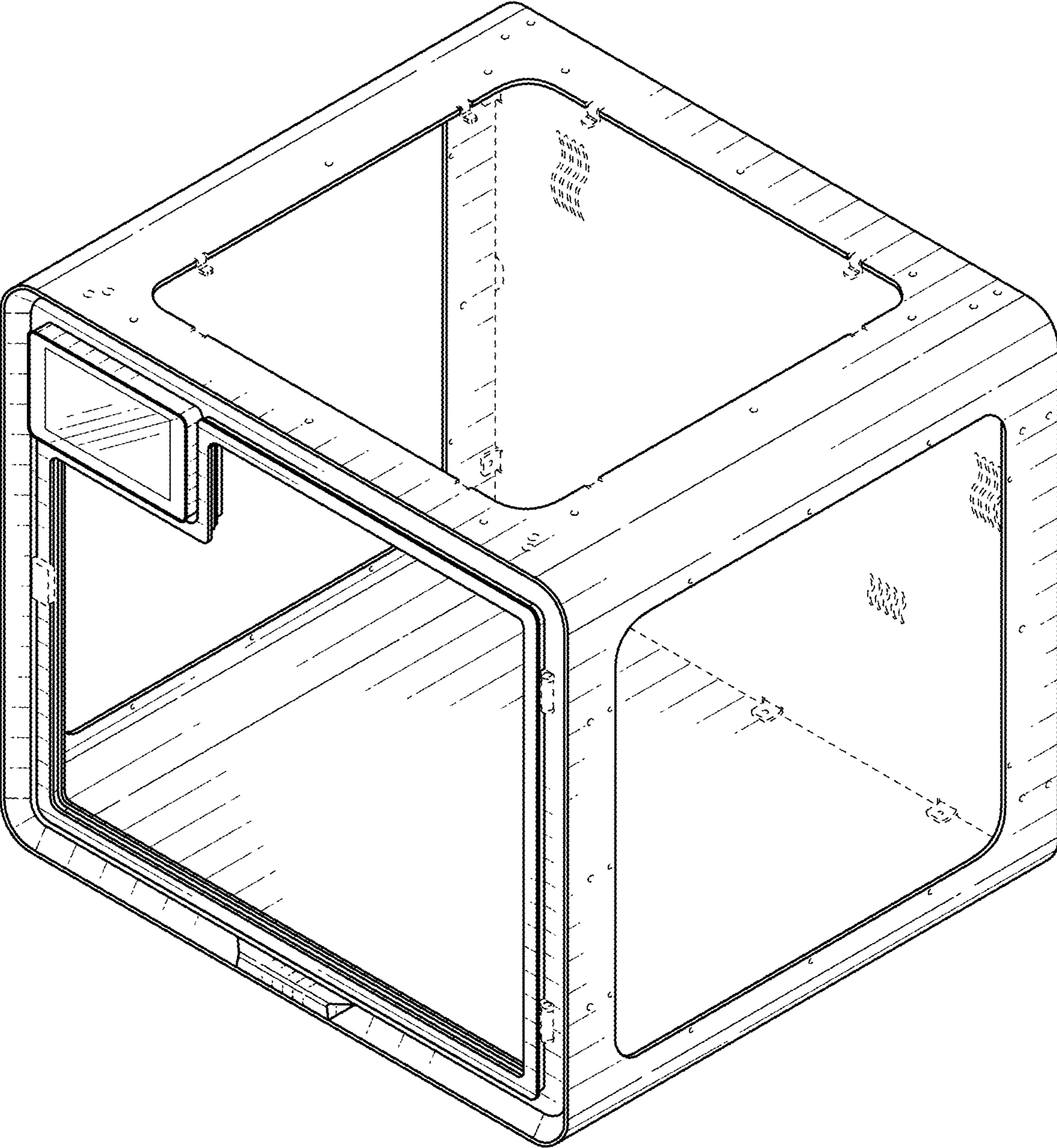


FIG. 1

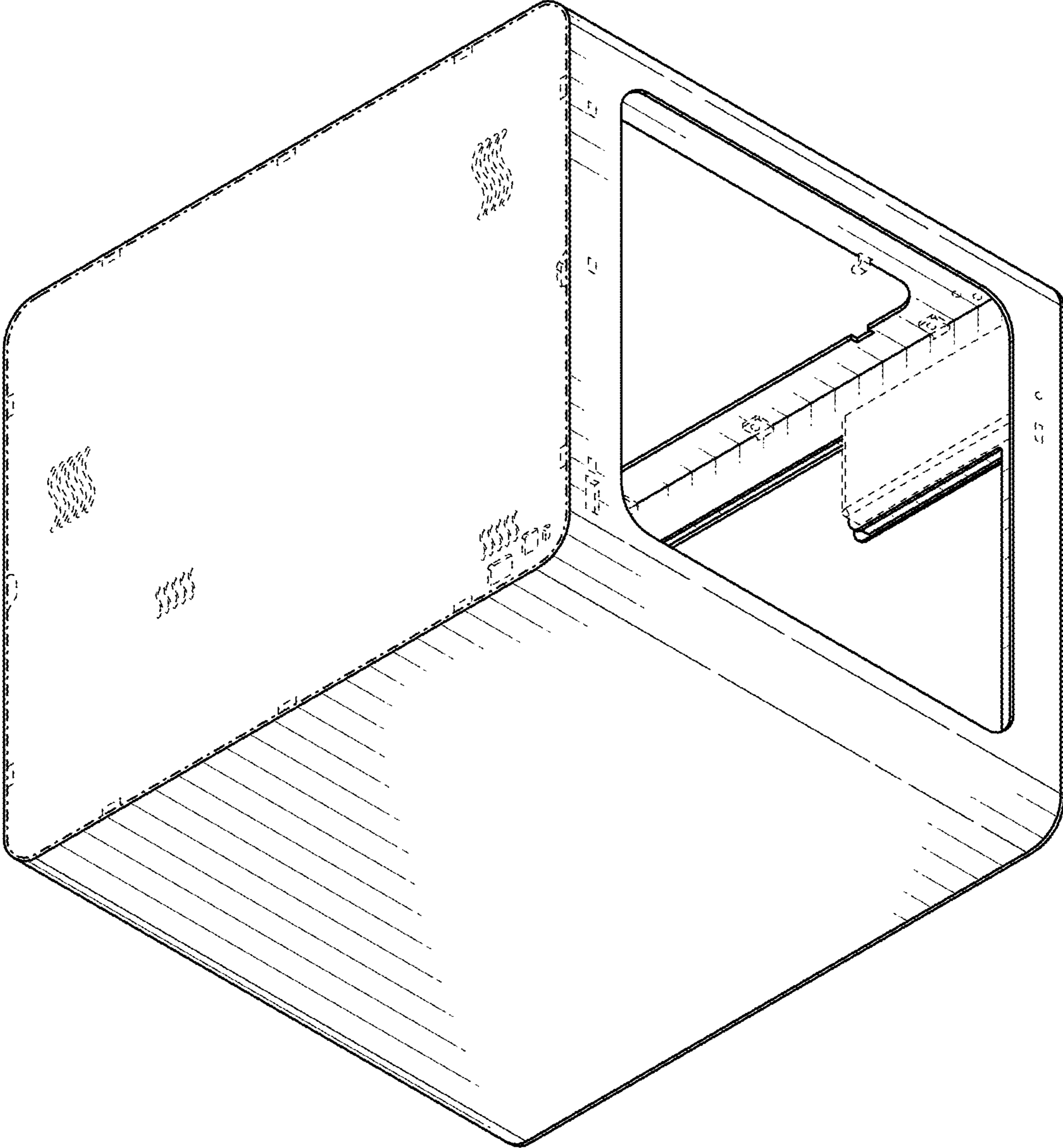


FIG. 2

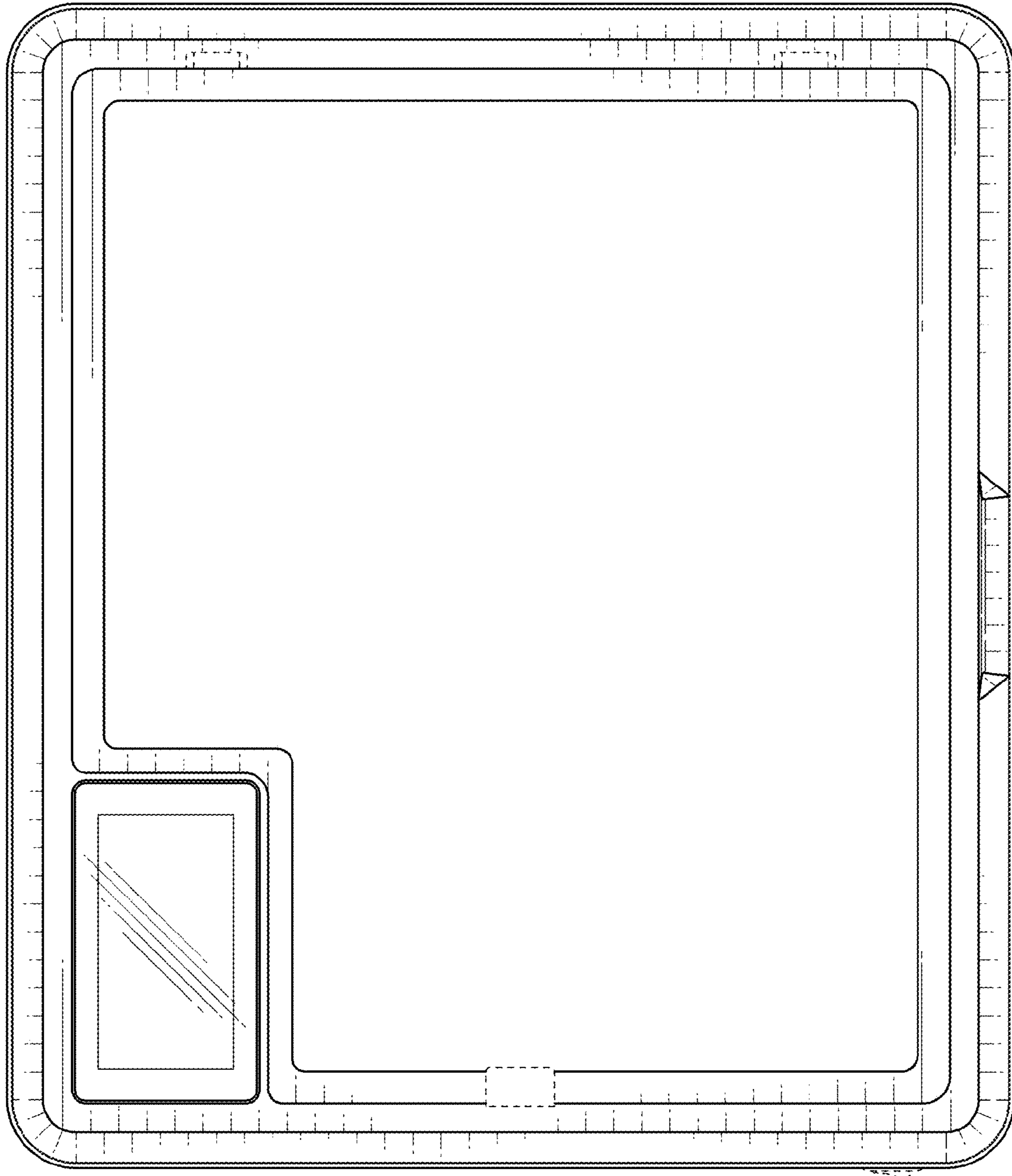


FIG. 3

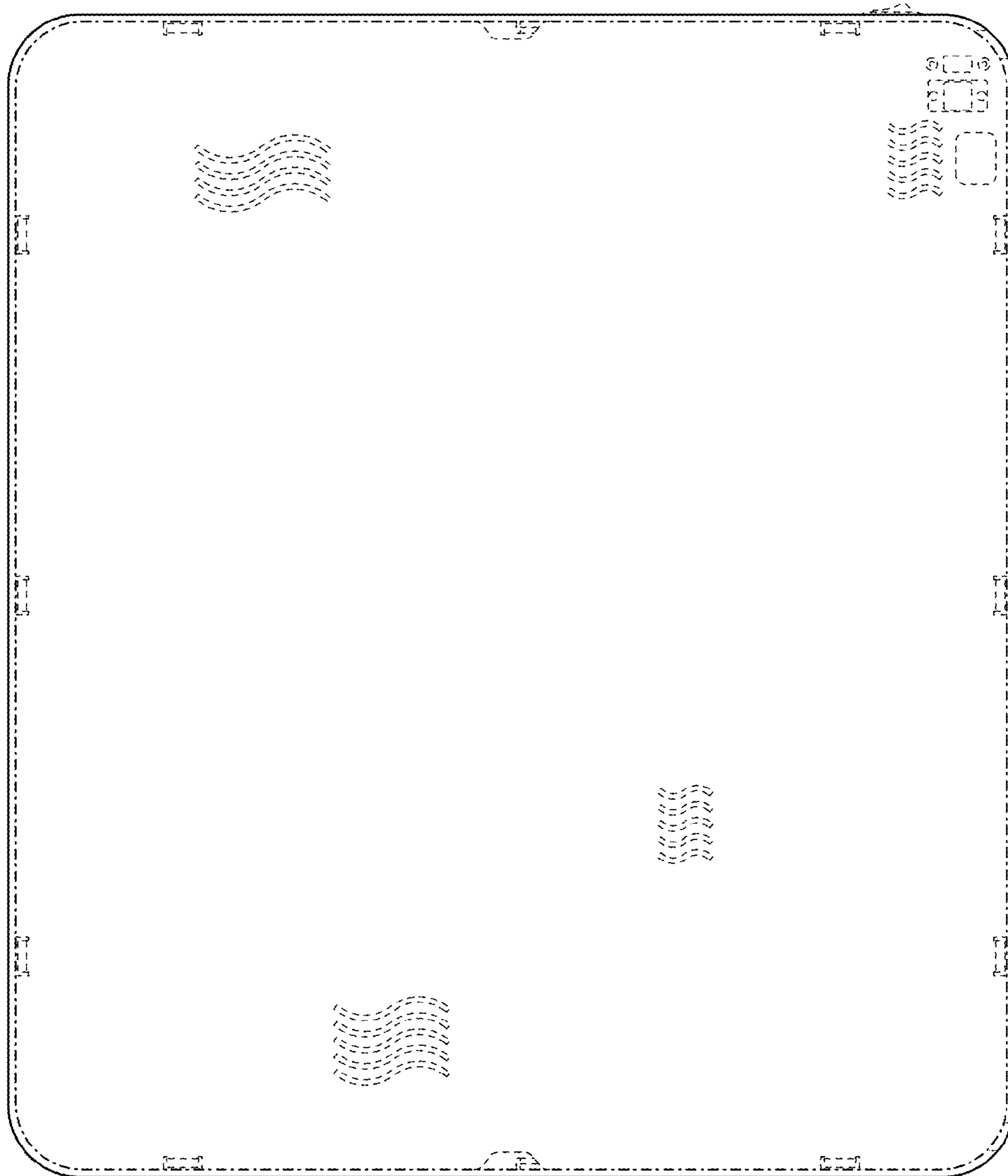


FIG. 4

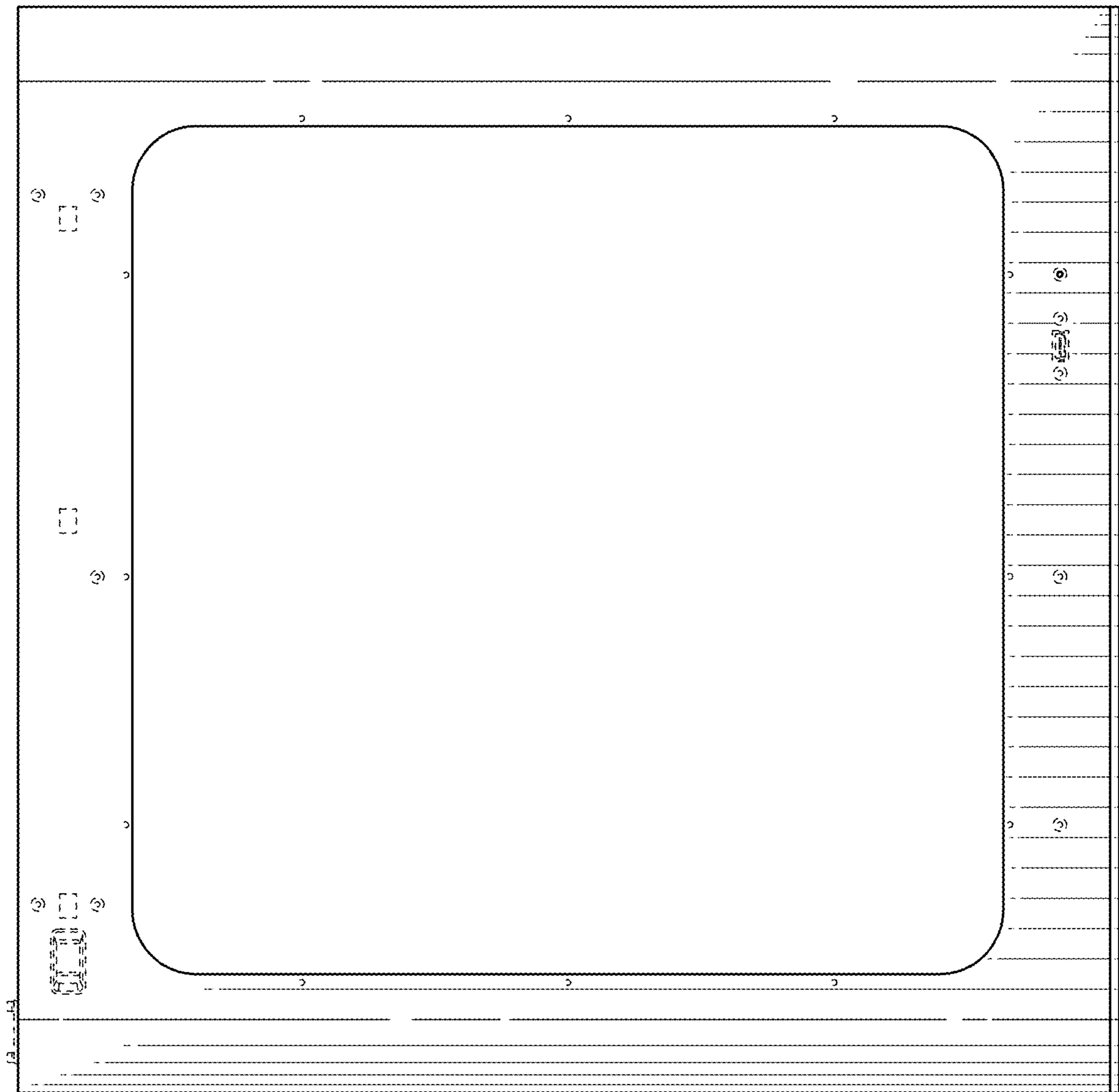


FIG. 5

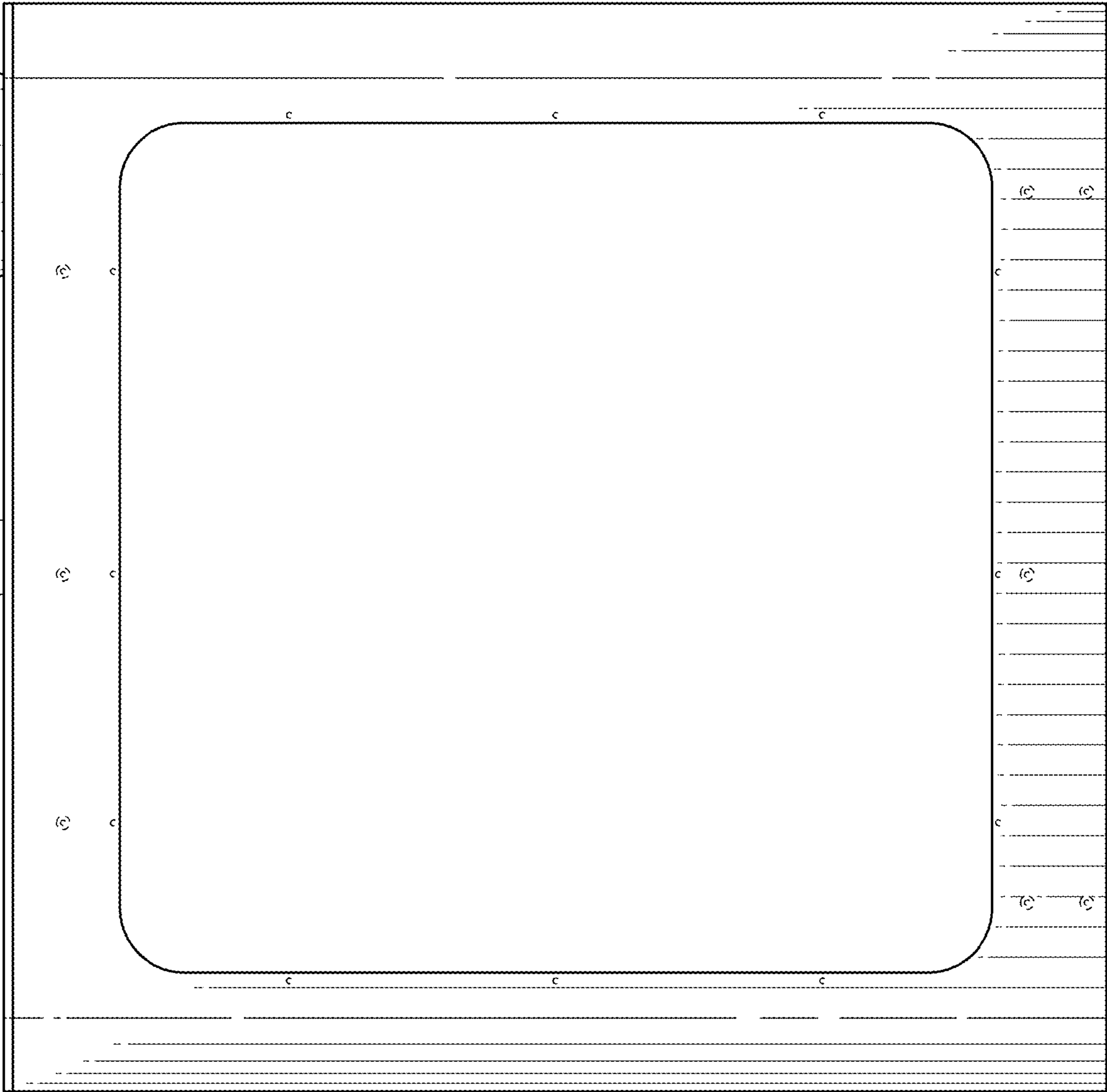


FIG. 6



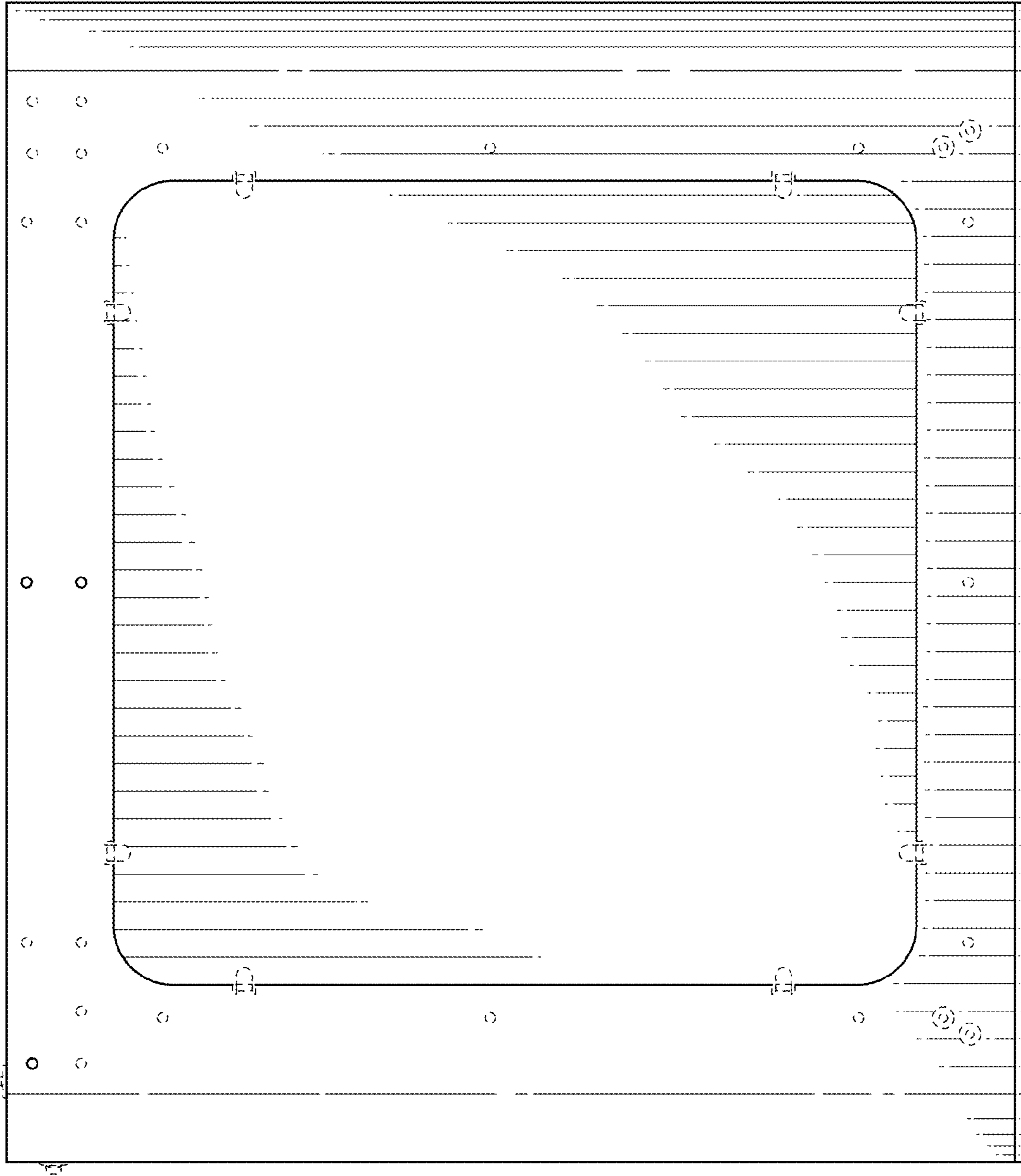


FIG. 7

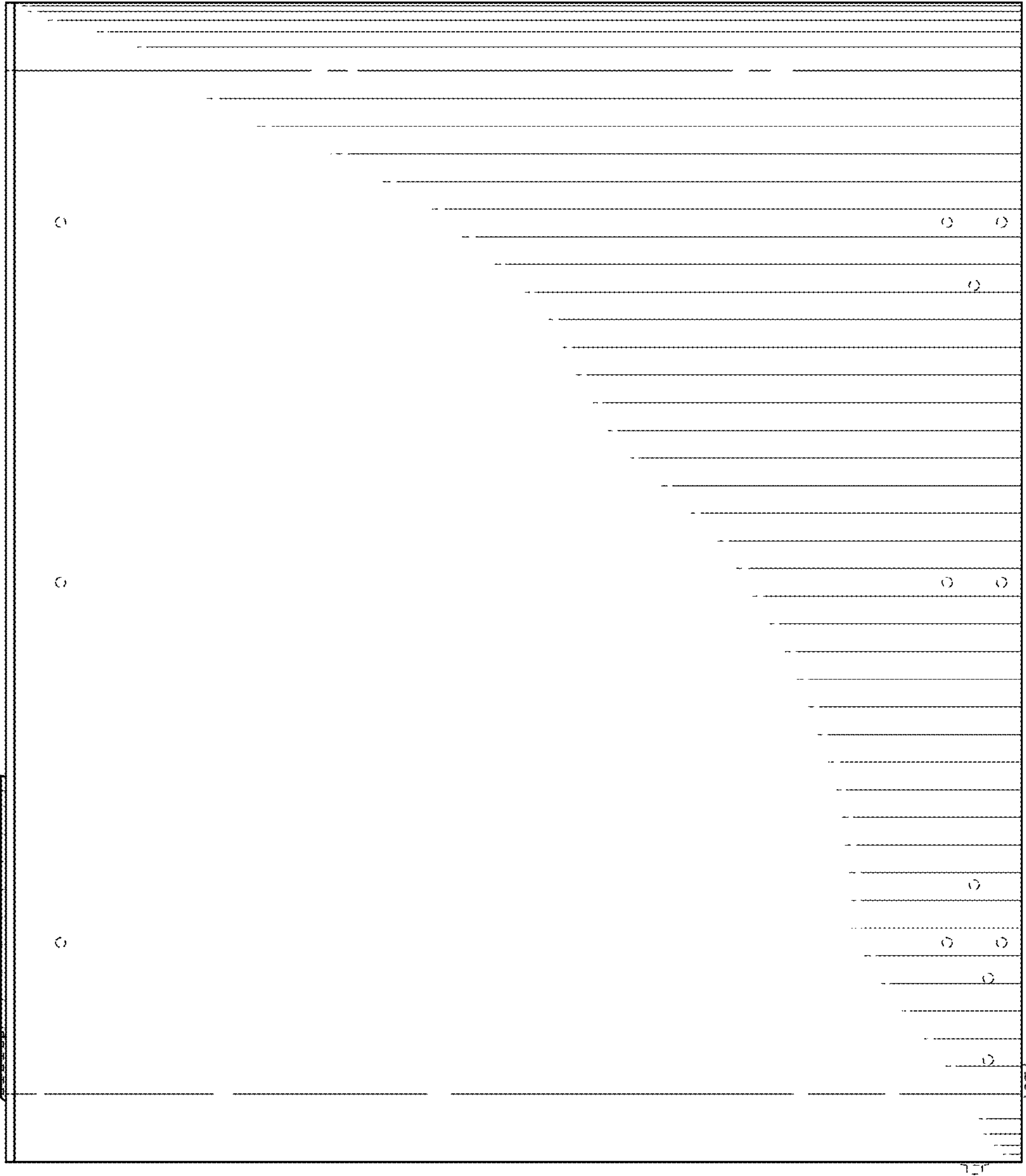


FIG. 8

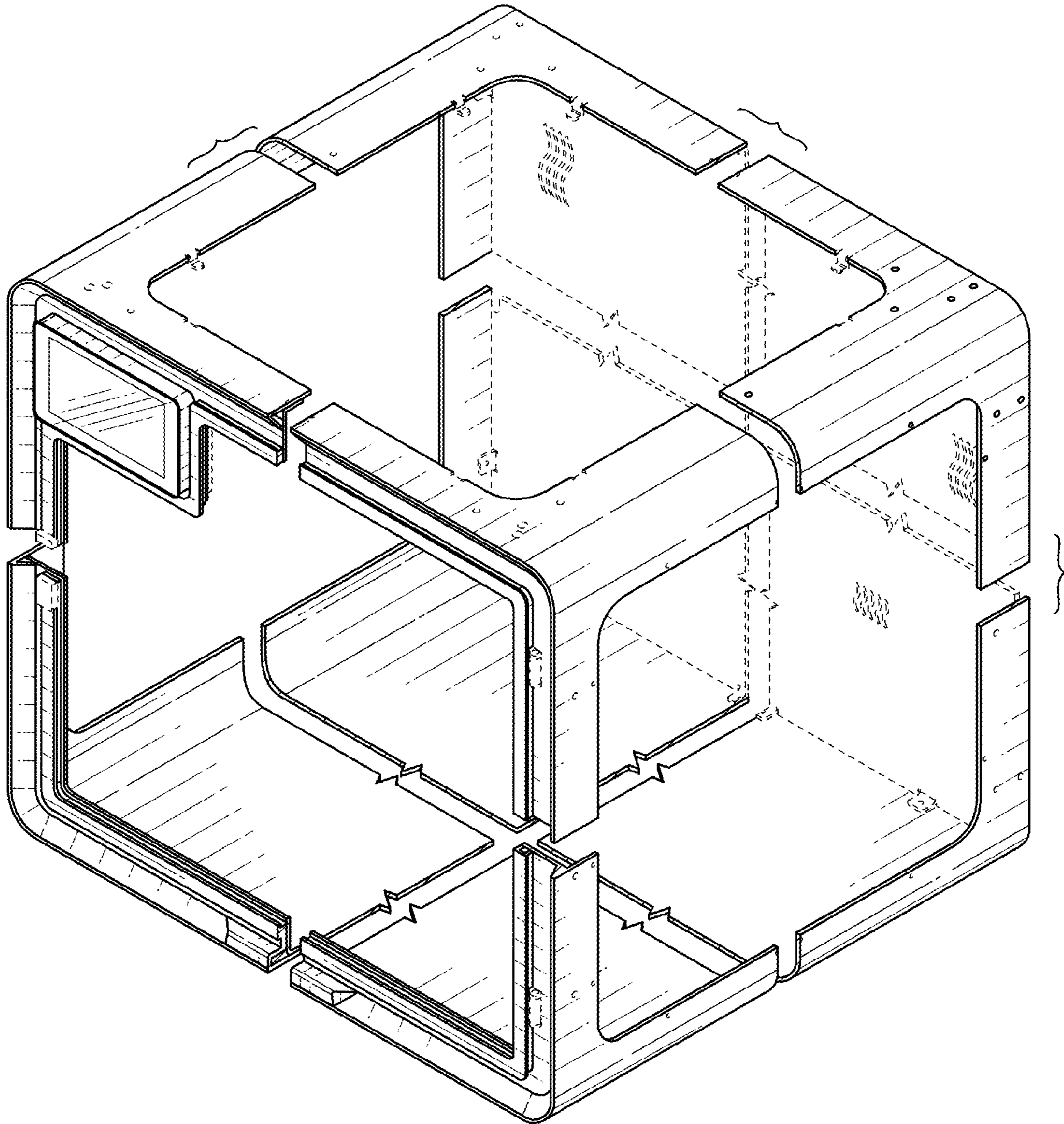


FIG. 9

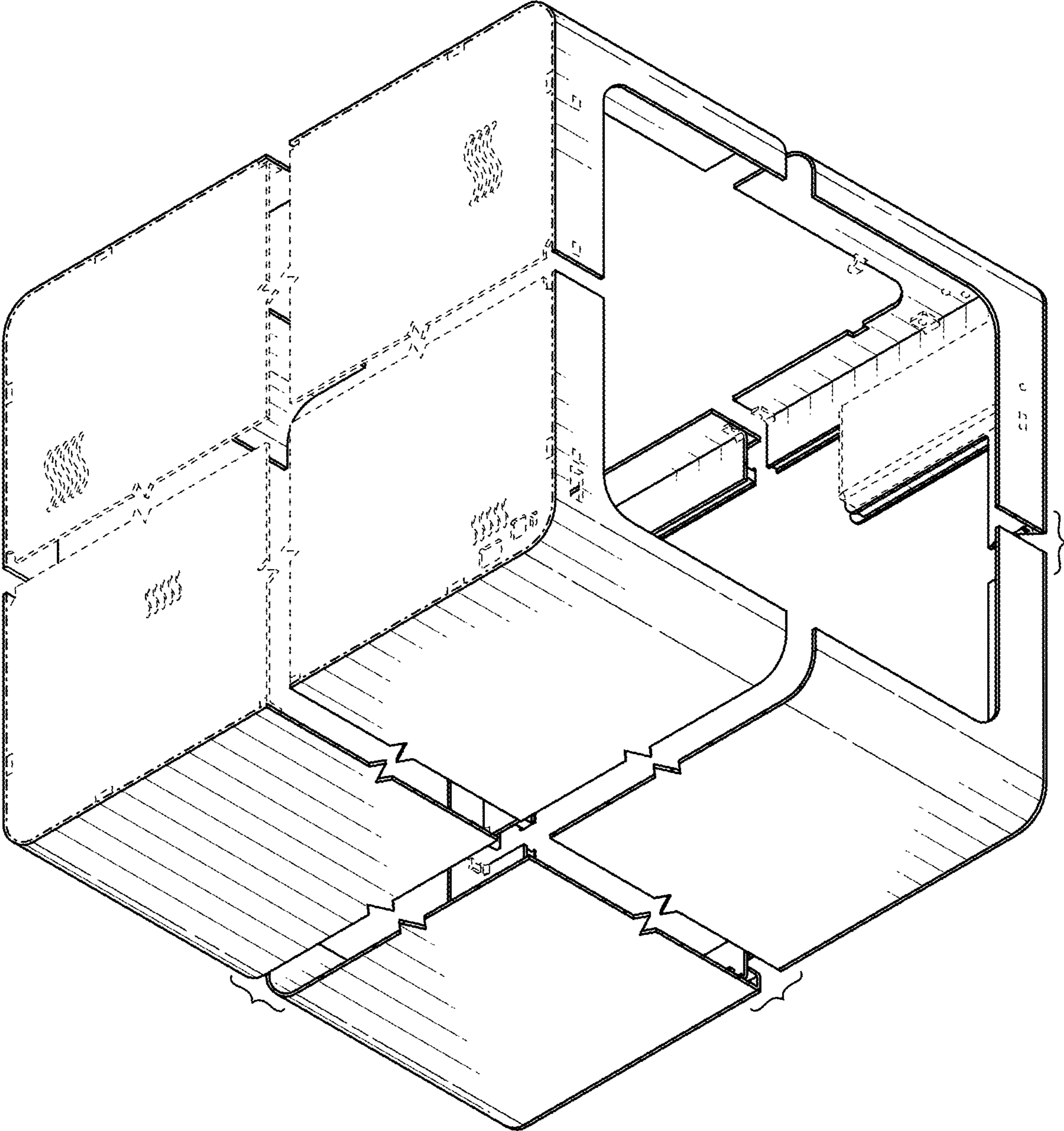


FIG. 10

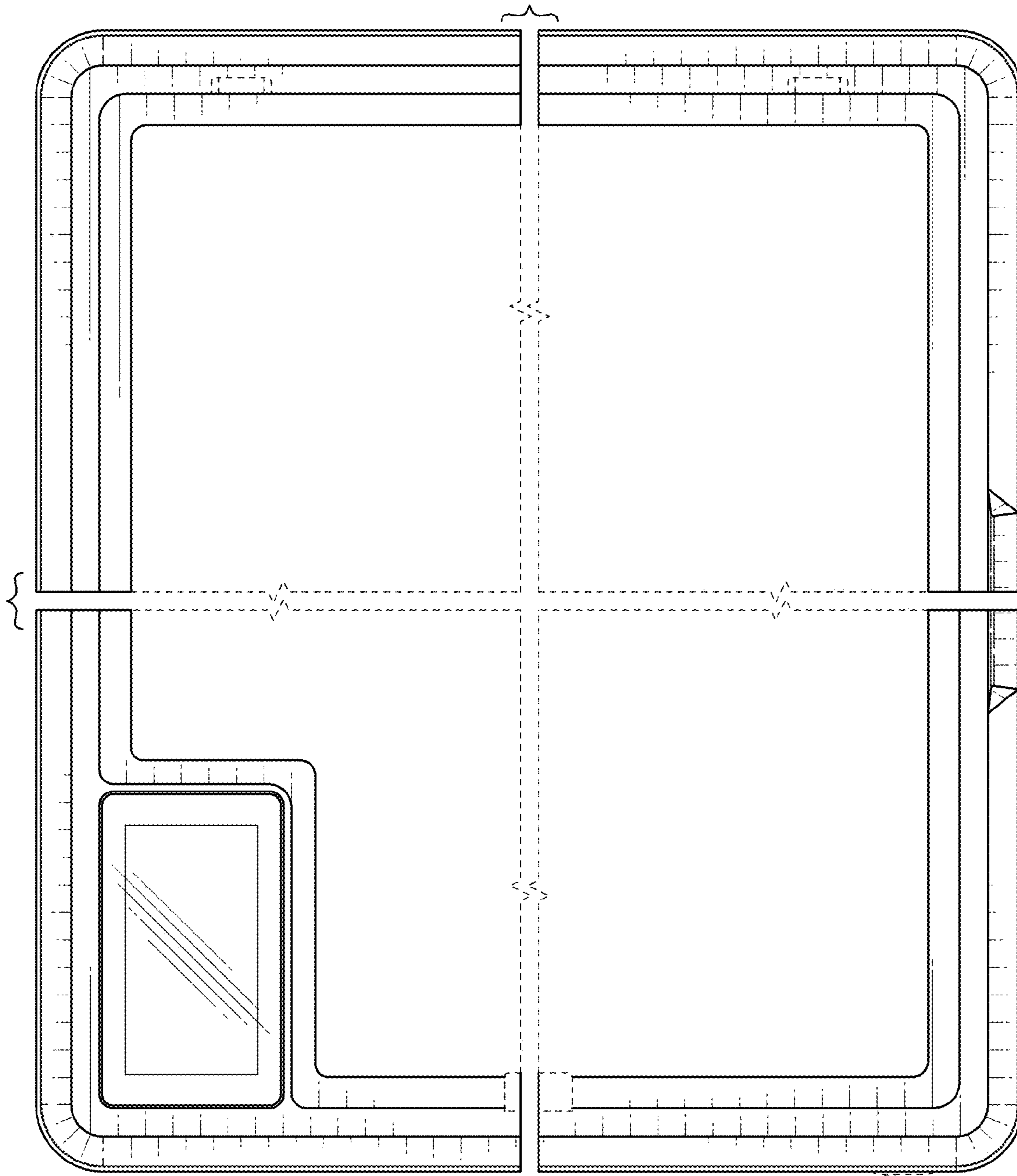


FIG. 11

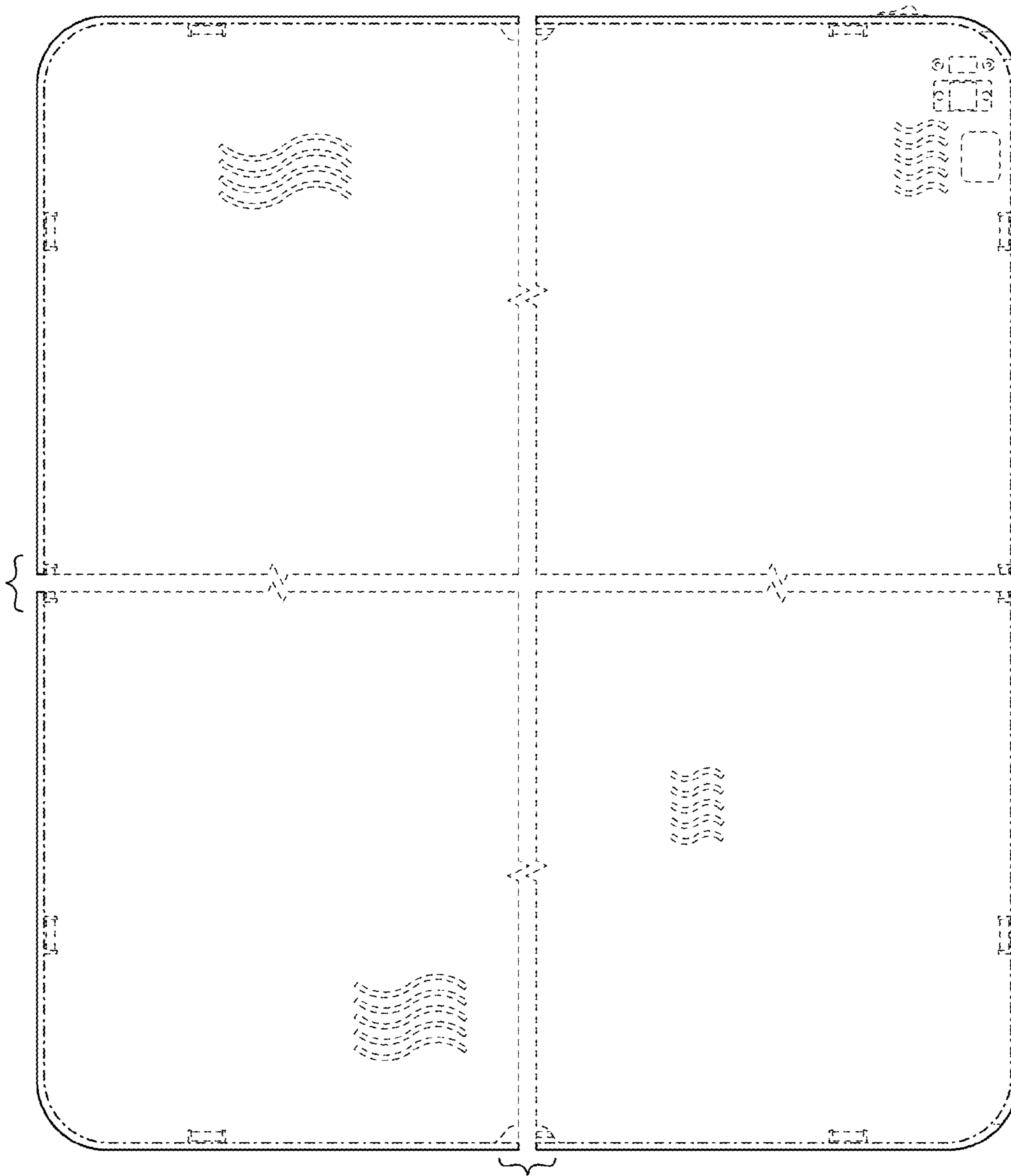


FIG. 12

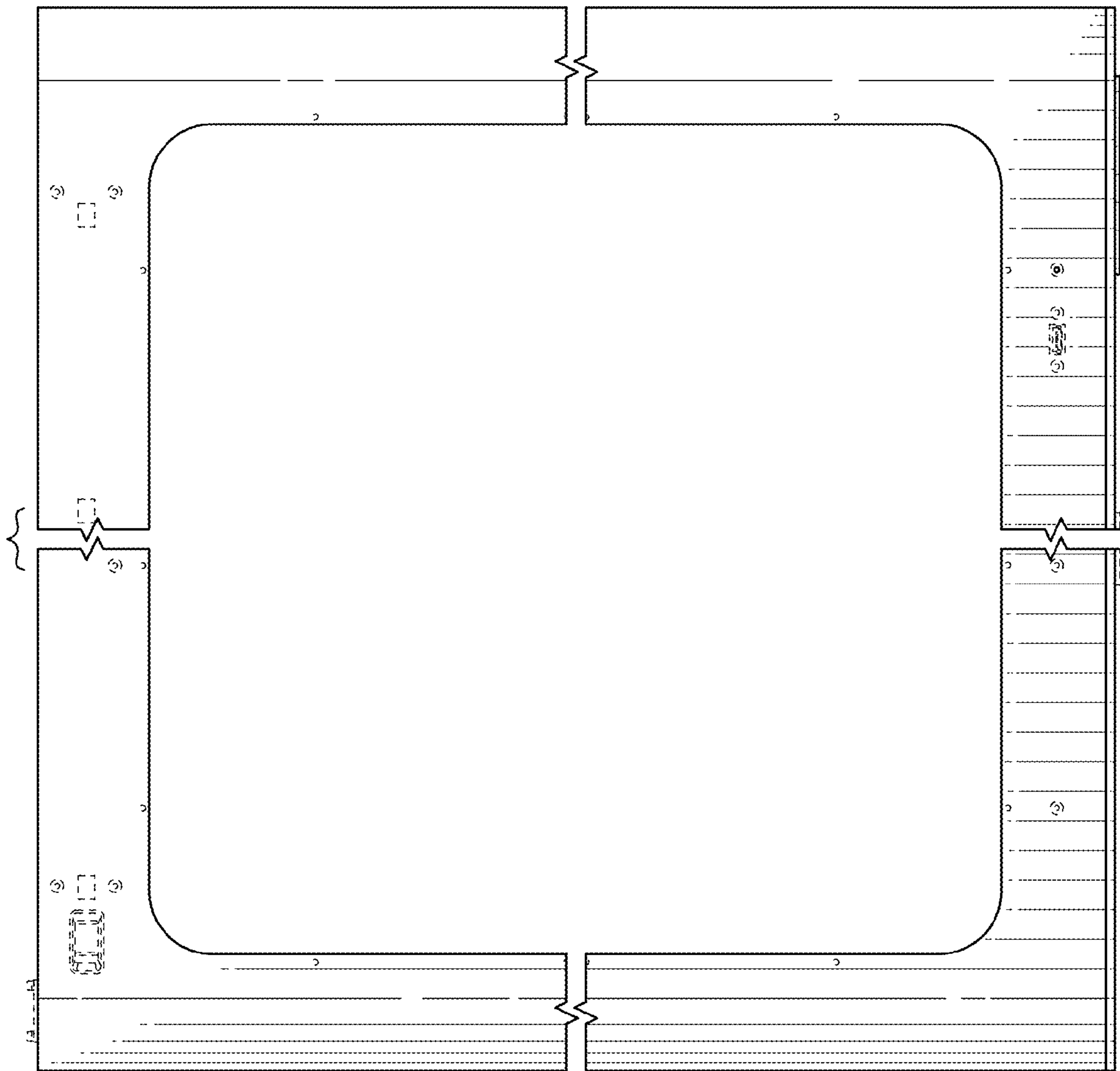


FIG. 13

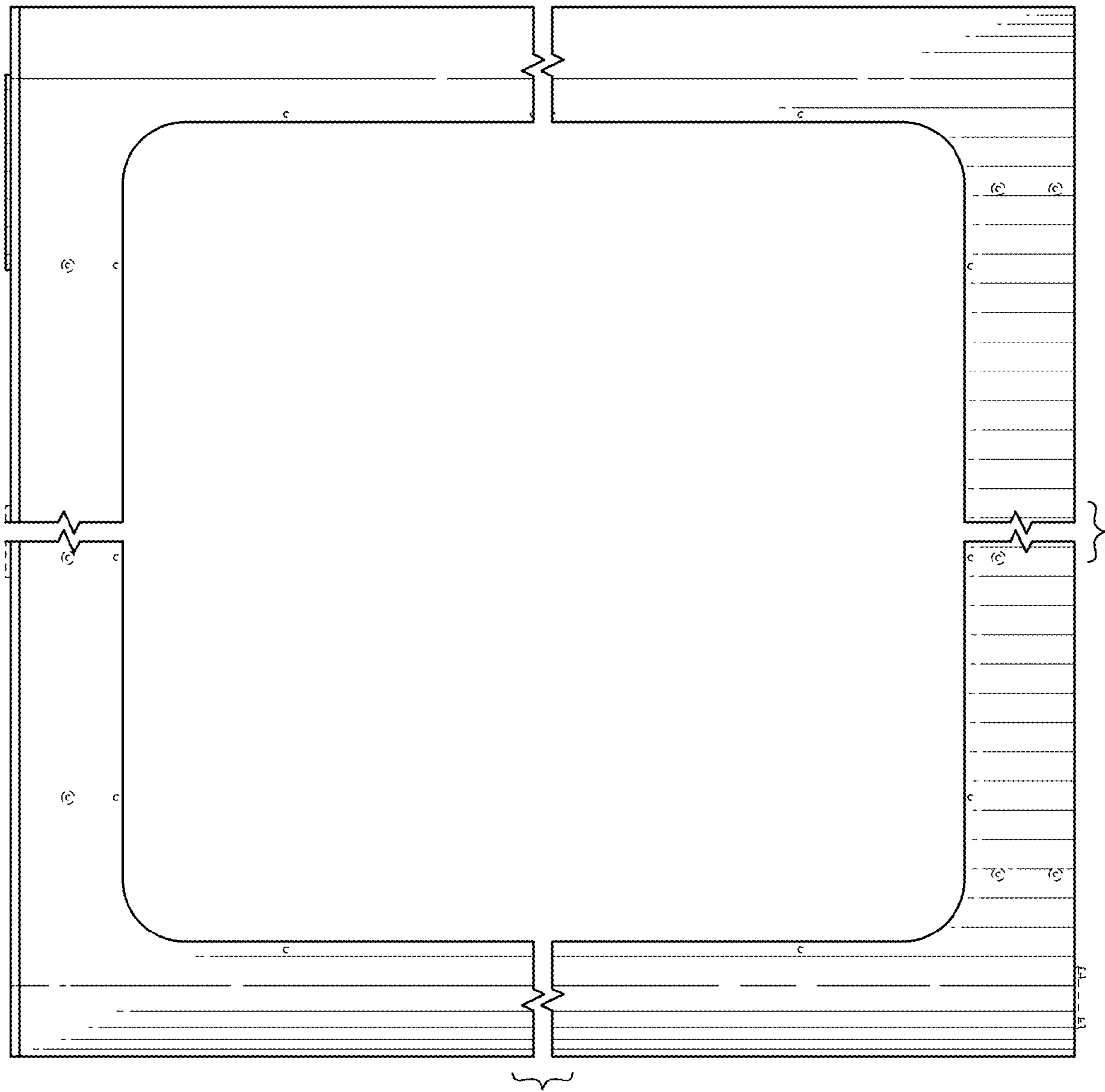


FIG. 14



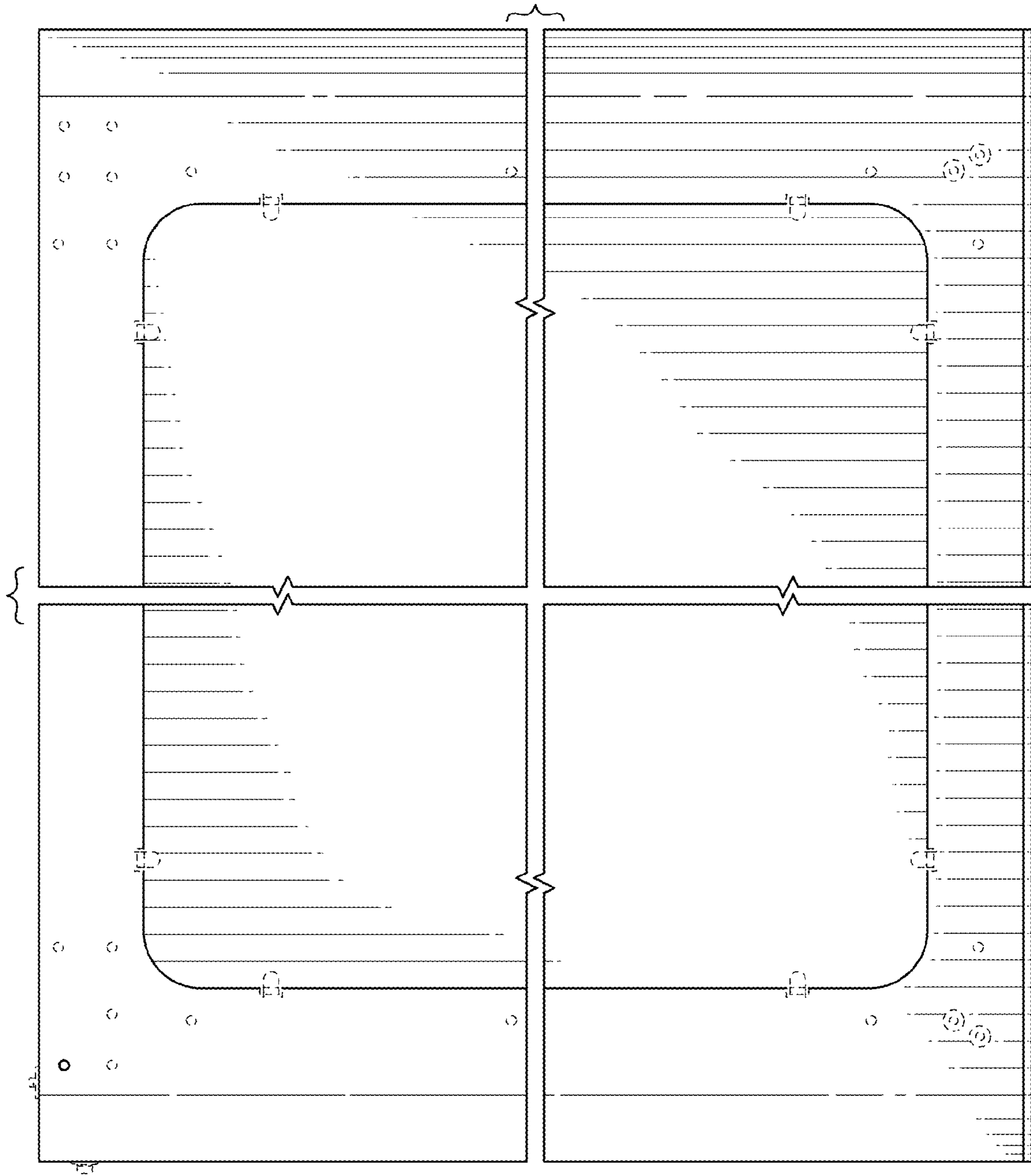


FIG. 15

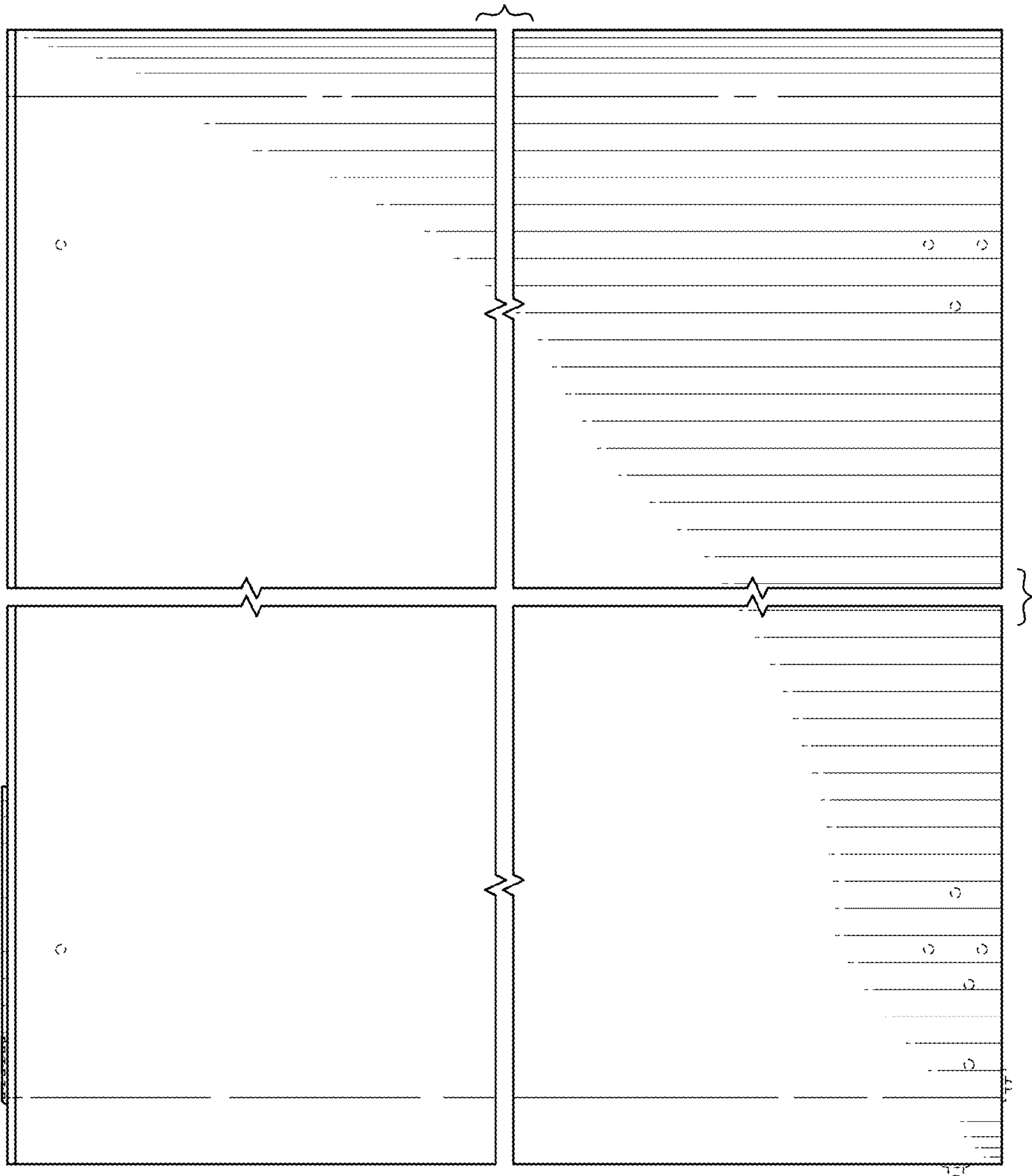


FIG. 16