



US00D879845S

(12) **United States Design Patent**
Liu et al.

(10) **Patent No.:** **US D879,845 S**
(45) **Date of Patent:** **** Mar. 31, 2020**

(54) **STOPPING DEVICE FOR ROVING ON A YARN-SPINNING MACHINE**
(71) Applicant: **Uster Technologies AG**, Uster (CH)
(72) Inventors: **Yazhou Liu**, Suzhou (CN); **Christophe Apotheloz**, Gockhausen (CH)
(73) Assignee: **Uster Technologies AG**, Uster (CH)
(**) Term: **15 Years**
(21) Appl. No.: **29/668,000**

596,076 A * 12/1897 Meehan D01H 13/188
57/87
629,495 A * 7/1899 Culver D01H 13/188
57/87
643,971 A * 2/1900 Northrop D01H 13/188
57/87
959,263 A * 5/1910 Reinhardt D01H 13/188
57/87
1,088,036 A * 2/1914 Roberts D01H 13/188
57/87
1,103,329 A * 7/1914 Vales D01H 13/188
57/87
1,172,806 A * 2/1916 Kozlowski D01H 13/188
57/87

(Continued)

(22) Filed: **Oct. 26, 2018**
(30) **Foreign Application Priority Data**
May 4, 2018 (CN) 2018 3 0196354
(51) **LOC (12) Cl.** **15-06**
(52) **U.S. Cl.**
USPC **D15/78**
(58) **Field of Classification Search**
USPC D15/72, 78, 66
CPC ... D01H 13/188; D01H 13/185; B65H 63/036
See application file for complete search history.

OTHER PUBLICATIONS

Google search: Stopping Device for Roving Jan. 28, 2020.*
(Continued)

Primary Examiner — Mitchell I. Siegel
(74) *Attorney, Agent, or Firm* — Luedeka Neely Group, P.C.; Rick Barnes

(57) **CLAIM**

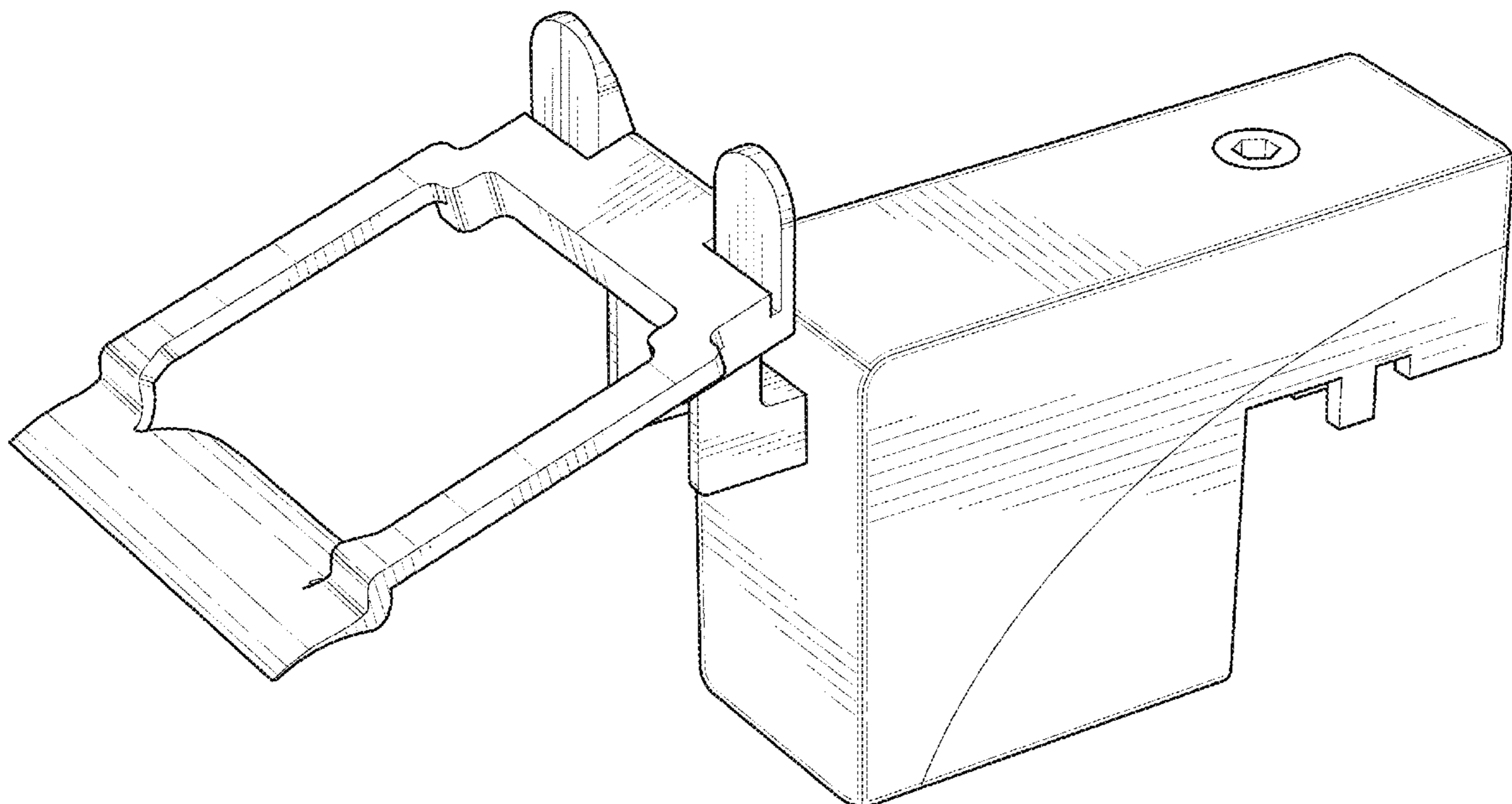
The ornamental design for a stopping device for roving on a yarn-spinning machine, as shown.

DESCRIPTION

FIG. 1 is a front view of the stopping device.
FIG. 2 is a rear view of the stopping device.
FIG. 3 is bottom view of the stopping device.
FIG. 4 is a top view of the stopping device.
FIG. 5 is right side view of the stopping device.
FIG. 6 is a left side view of the stopping device.
FIG. 7 is a top perspective view of the stopping device; and,
FIG. 8 is a bottom perspective view of the stopping device.

1 Claim, 8 Drawing Sheets

(56) **References Cited**
U.S. PATENT DOCUMENTS
178,946 A * 6/1876 O'Donnell et al. . D01H 13/188
57/87
214,124 A * 4/1879 Grayson D01H 13/188
57/87
349,487 A * 9/1886 Fearon D01H 13/188
57/87
455,521 A * 7/1891 Walsh D01H 13/188
57/87
589,033 A * 8/1897 Ryon D01H 13/188
57/87



(56)

References Cited

U.S. PATENT DOCUMENTS

1,211,178 A * 1/1917 Kozlowski D01H 13/188
57/87
1,285,742 A * 11/1918 Kozlowski D01H 13/188
57/87
1,401,984 A * 1/1922 Kapatras D01H 13/188
57/87
1,458,980 A * 6/1923 Kapatras D01H 13/188
57/86
1,481,982 A * 1/1924 Brace D01H 13/188
57/81
1,525,004 A * 2/1925 Sharp D01H 13/188
57/85
1,634,614 A * 7/1927 Garey D01H 13/188
57/87
1,636,945 A * 7/1927 Van Ness D01H 13/188
57/87
2,620,518 A * 12/1952 Harstin D01H 13/1616
19/0.25
2,734,335 A * 2/1956 Saunders et al. D01H 13/188
57/86
3,102,378 A * 9/1963 Walker, Jr. D01H 13/1633
57/81
3,314,225 A * 4/1967 Batey D01H 13/188
57/81
3,314,226 A * 4/1967 Batey D01H 13/188
57/81
3,636,695 A * 1/1972 Ingham, Jr. D01H 13/185
57/84
3,726,072 A * 4/1973 Ford D01H 13/145
57/265
3,807,161 A * 4/1974 Ingham, Jr. D01H 13/145
57/84
3,841,076 A * 10/1974 Ford D01H 13/145
57/83

3,938,311 A * 2/1976 Rice D01H 13/188
57/87
4,000,603 A * 1/1977 Lee, Jr. D01H 13/145
57/87
4,274,512 A * 6/1981 Goelz B65H 59/22
188/65.1
4,280,321 A * 7/1981 Marzoli D01H 13/188
57/81
4,300,342 A * 11/1981 Highsmith, Jr. D01H 13/165
57/81
4,484,376 A * 11/1984 Glock D01H 13/188
19/0.25
4,506,498 A * 3/1985 Lamb D01H 13/188
57/80
4,581,881 A * 4/1986 Lamb D01H 13/188
57/80
4,738,094 A * 4/1988 Patriarca D01H 13/188
57/81
4,912,919 A * 4/1990 Lattner D01H 13/185
19/0.25
4,951,357 A * 8/1990 Grau D01H 13/185
19/0.25
5,211,709 A * 5/1993 Hussey B65H 63/036
242/485.2
5,590,045 A * 12/1996 Kaak D01H 13/32
57/264
5,758,482 A * 6/1998 Hoover D01H 13/16
28/226

OTHER PUBLICATIONS

skaatindia.blogspot.com/2015/09/remarkable-stretch-with-skaat-core.html; Sep. 1, 2015.*
Comprehensive control and economic benefits; Uster Technology; Aug. 29, 2018.*
www.fani.com/en/products/roving-stop; Jan. 29, 2020.*
www.fani.com/en/products/mechanical-roving-stop; Jan. 29, 2020.*

* cited by examiner

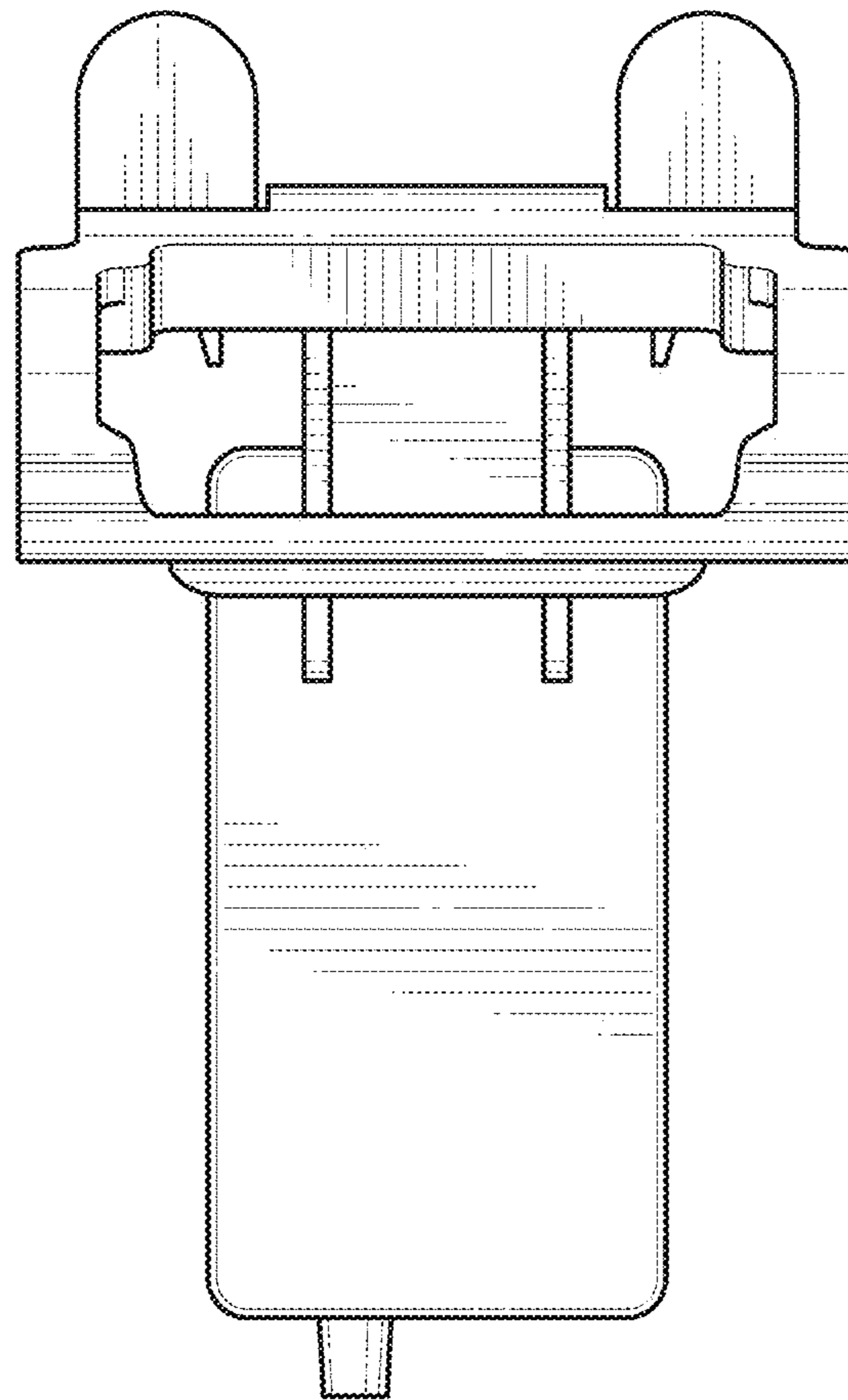


FIG. 1

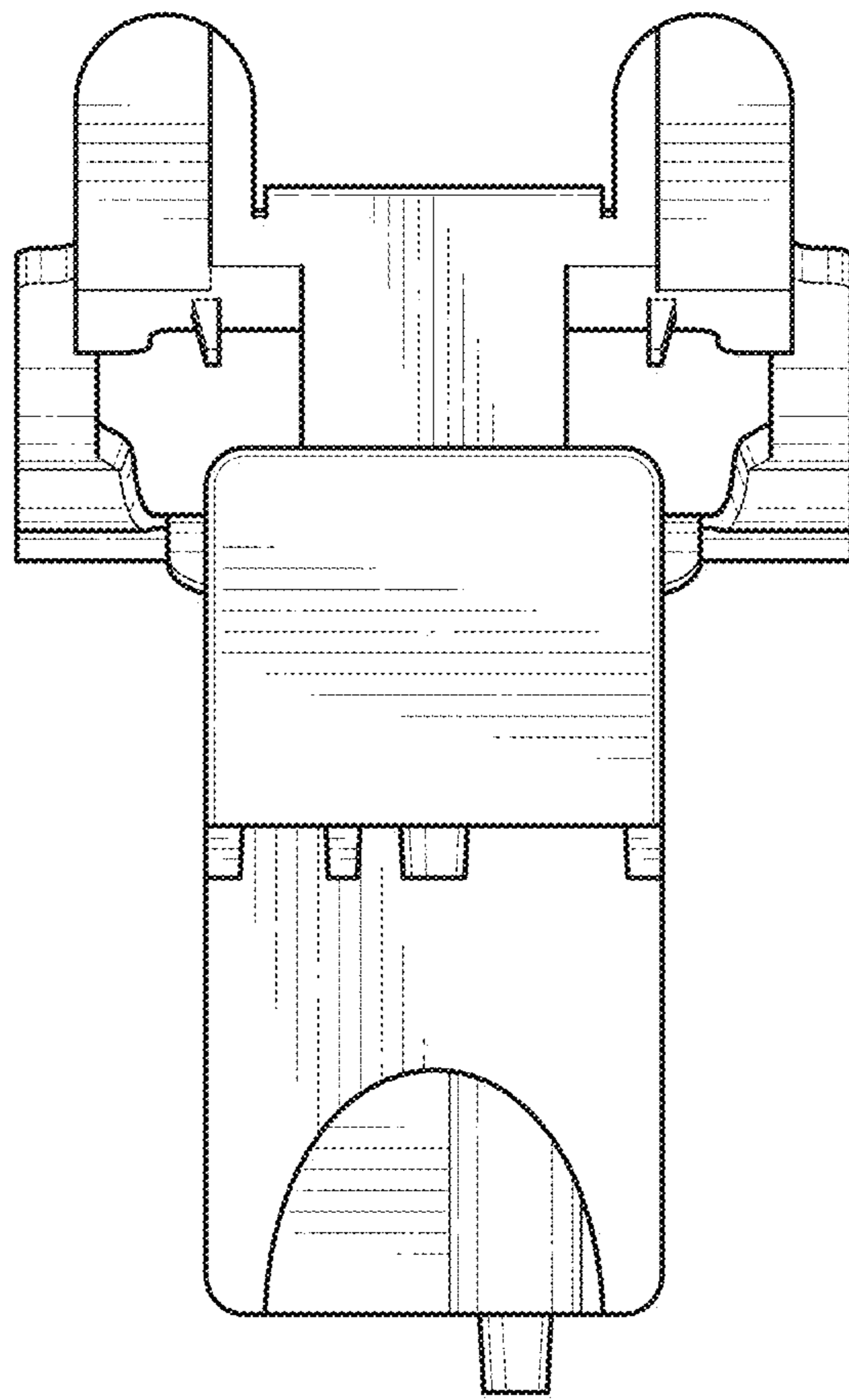


FIG. 2

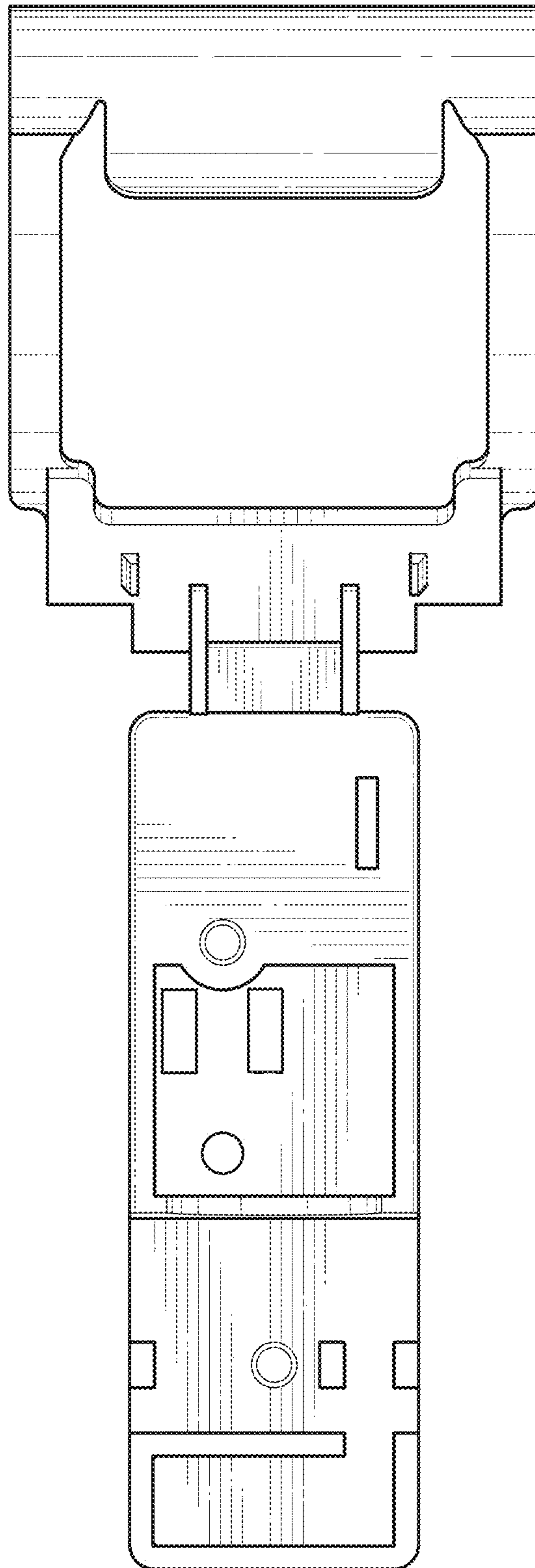


FIG. 3

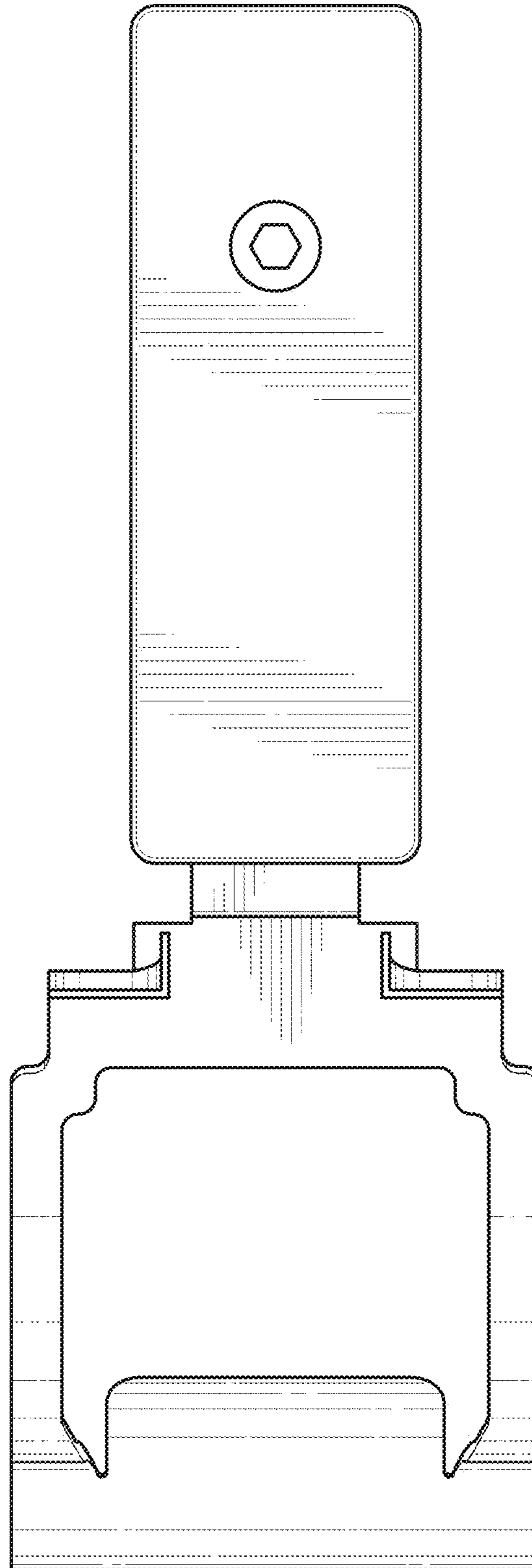


FIG. 4

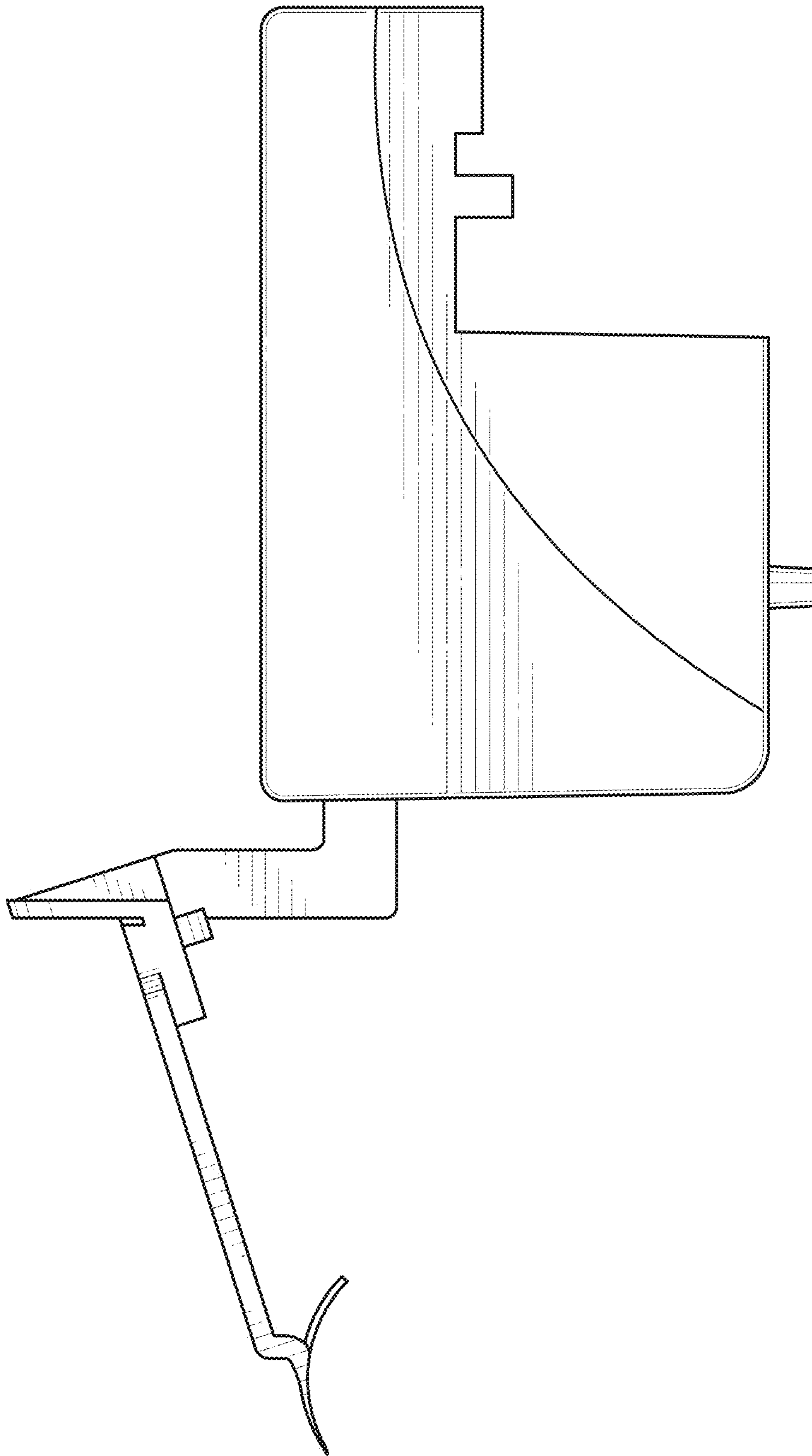


FIG. 5

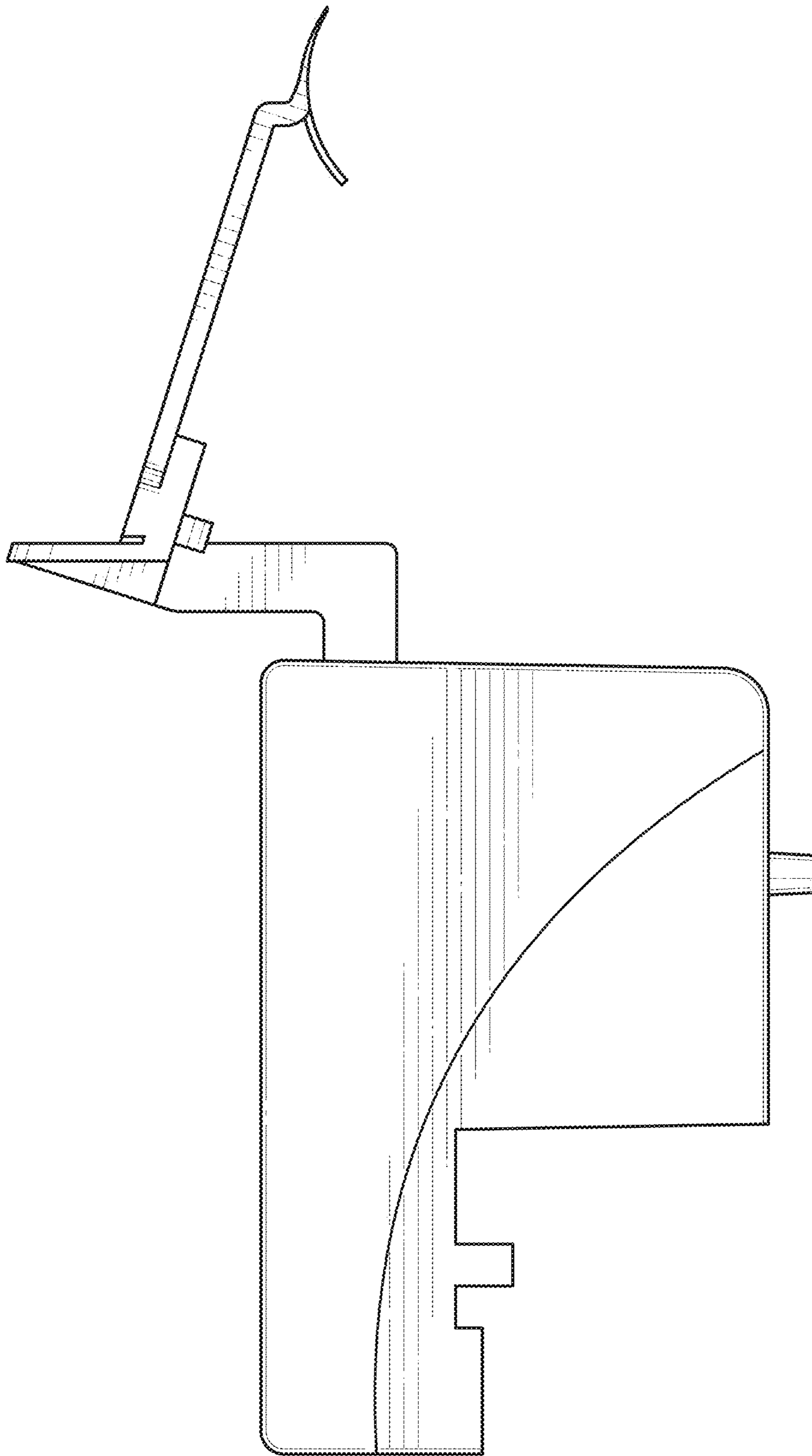


FIG. 6

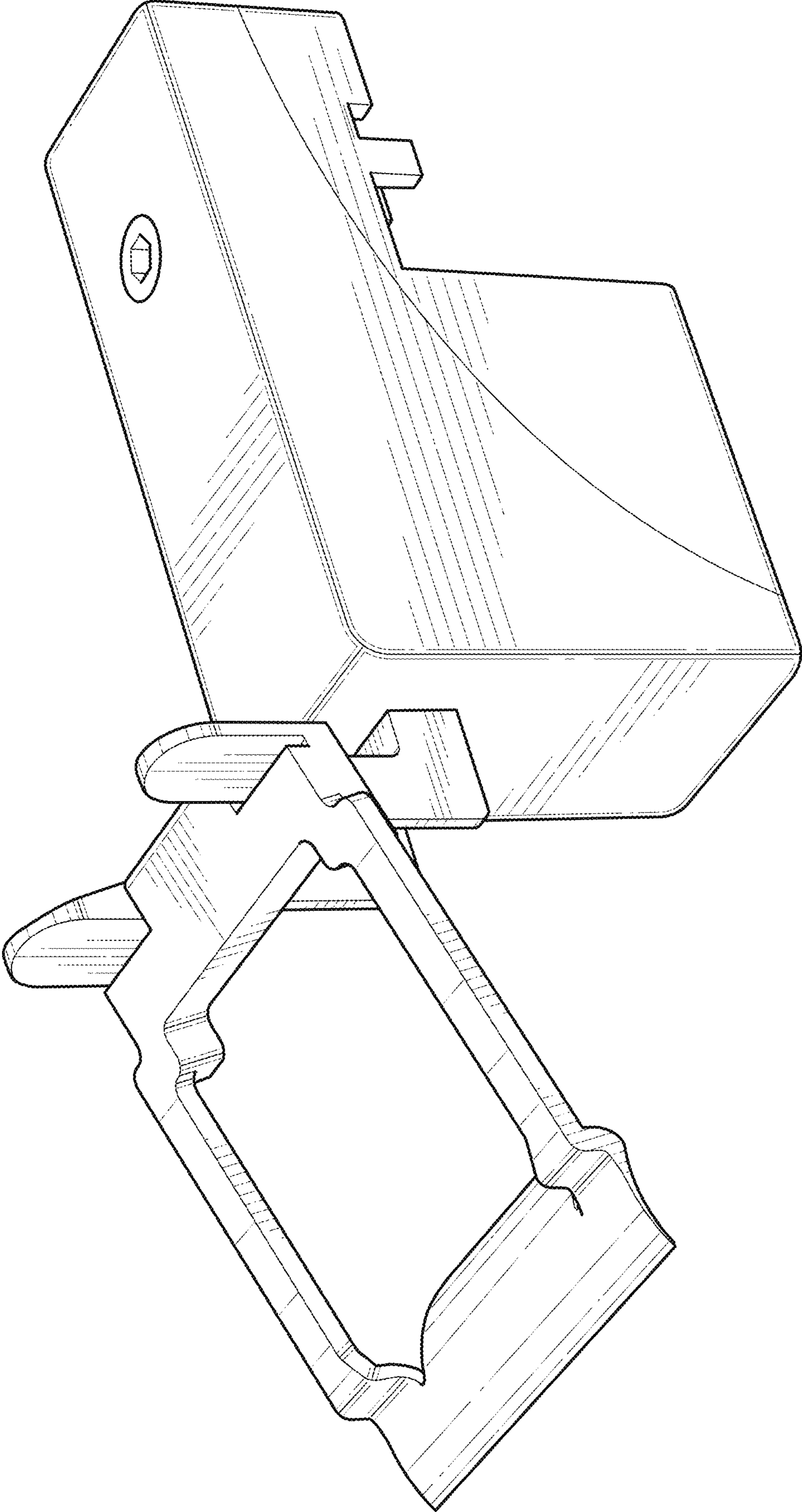


FIG. 7

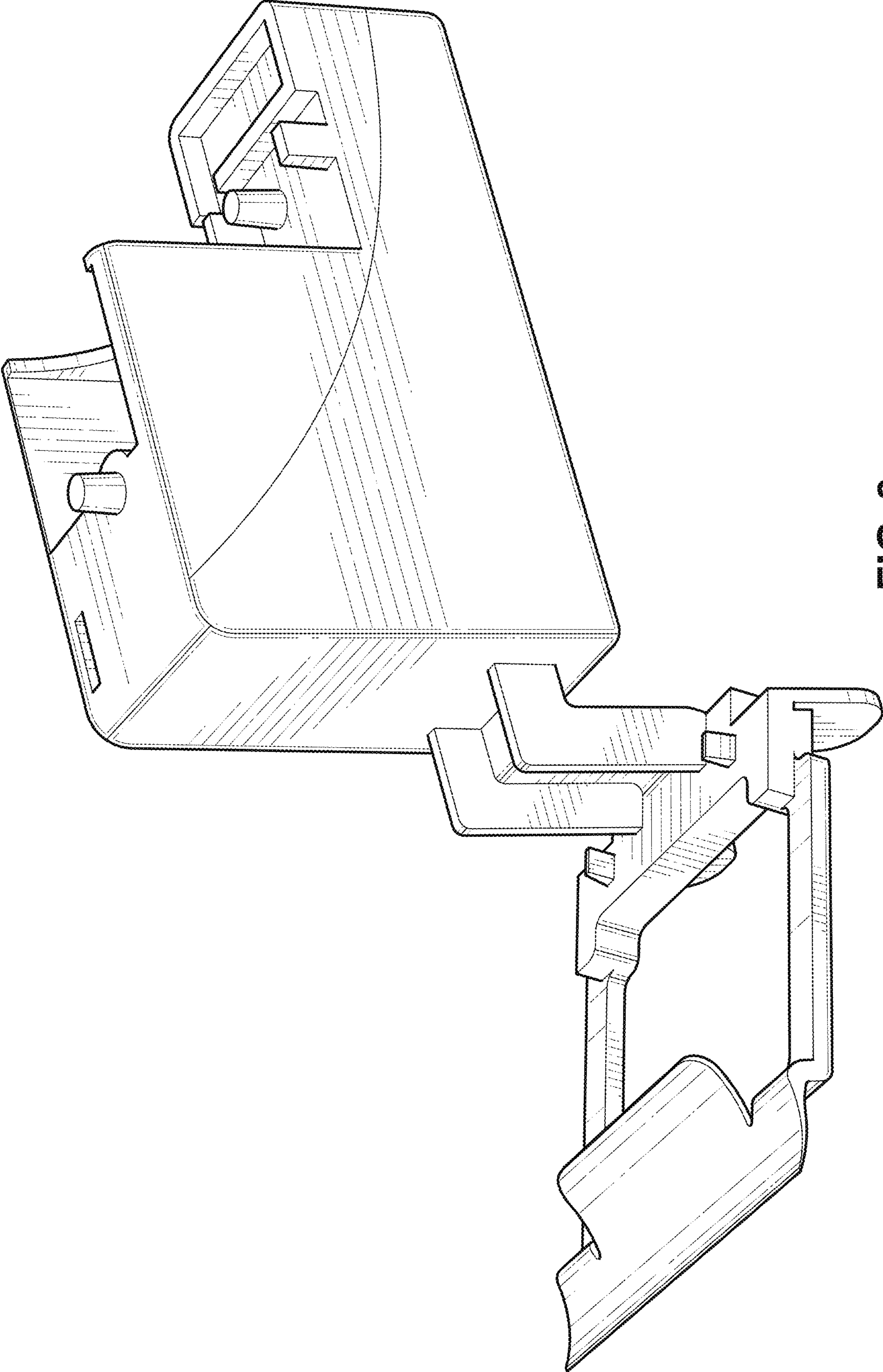


FIG. 8