



US00D879844S

(12) **United States Design Patent**
Okawa et al.

(10) **Patent No.:** **US D879,844 S**

(45) **Date of Patent:** **** Mar. 31, 2020**

(54) **EMBROIDERY MACHINE**

D482,048 S * 11/2003 Shimizu D15/72
D482,372 S * 11/2003 Shimizu D15/72
6,814,014 B2 * 11/2004 Mamiya D05B 1/02
112/102.5

(71) Applicant: **BROTHER INDUSTRIES, LTD.**,
Nagoya-shi, Aichi-ken (JP)

* cited by examiner

(72) Inventors: **Chihiro Okawa**, Nagoya (JP); **Kazue Torii**, Nagoya (JP); **Tomoyuki Nanno**, Tokyo (JP)

Primary Examiner — Mitchell I. Siegel

(74) *Attorney, Agent, or Firm* — Oliff PLC

(73) Assignee: **BROTHER INDUSTRIES, LTD.**,
Nagoya (JP)

(57) **CLAIM**

The ornamental design for an embroidery machine, as shown and described.

(**) Term: **15 Years**

DESCRIPTION

(21) Appl. No.: **29/661,318**

(22) Filed: **Aug. 27, 2018**

(30) **Foreign Application Priority Data**

Mar. 28, 2018 (JP) 2018-006624

(51) **LOC (12) Cl.** **15-06**

(52) **U.S. Cl.**
USPC **D15/72**

(58) **Field of Classification Search**
USPC D15/66-78
CPC D05B 1/00-25/00
See application file for complete search history.

FIG. 1 is a perspective view of an embroidery machine;
FIG. 2 is a front view thereof;
FIG. 3 is a top view thereof;
FIG. 4 is a right-side view thereof;
FIG. 5 is a left-side view thereof;
FIG. 6 is a rear view thereof;
FIG. 7 is a bottom view thereof;
FIG. 8 is a cross-sectional view taken along line 8-8 in FIG. 3; and,
FIG. 9 is a cross-sectional view taken along line 9-9 in FIG. 3.

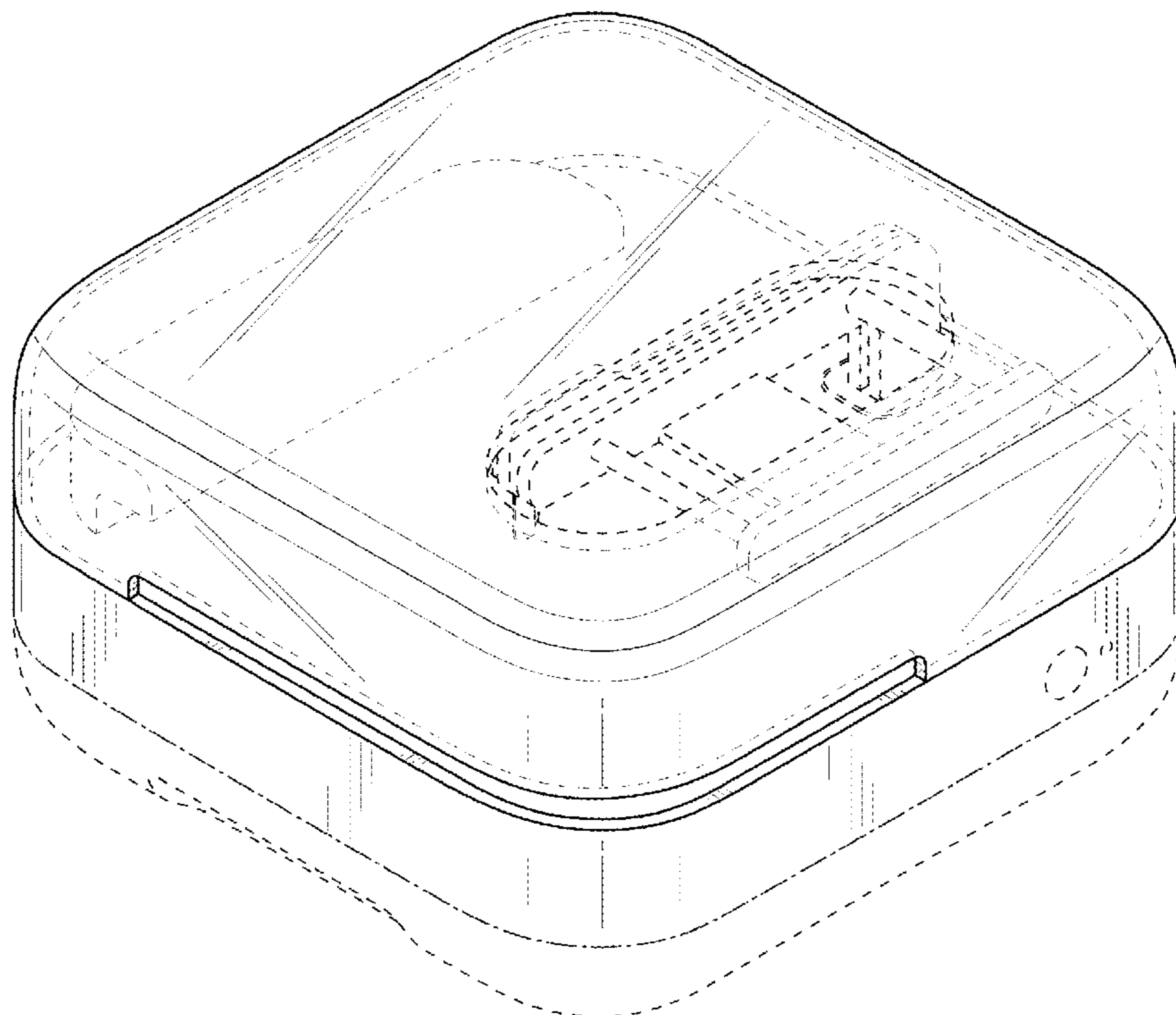
The broken lines immediately adjacent the shaded areas represent the bounds of the claimed design, while all other broken lines are directed to environment and are for illustrative purposes only. The broken lines form no part of the claimed design. The dot-dash chain lines depict a boundary of the claimed subject matter and form no part of the claimed design. The oblique line shading indicates a transparent portion of the embroidery machine.

(56) **References Cited**

U.S. PATENT DOCUMENTS

D467,595 S * 12/2002 Shimizu D15/72
D477,334 S * 7/2003 Shimizu D15/66
D482,047 S * 11/2003 Shimizu D15/72

1 Claim, 9 Drawing Sheets



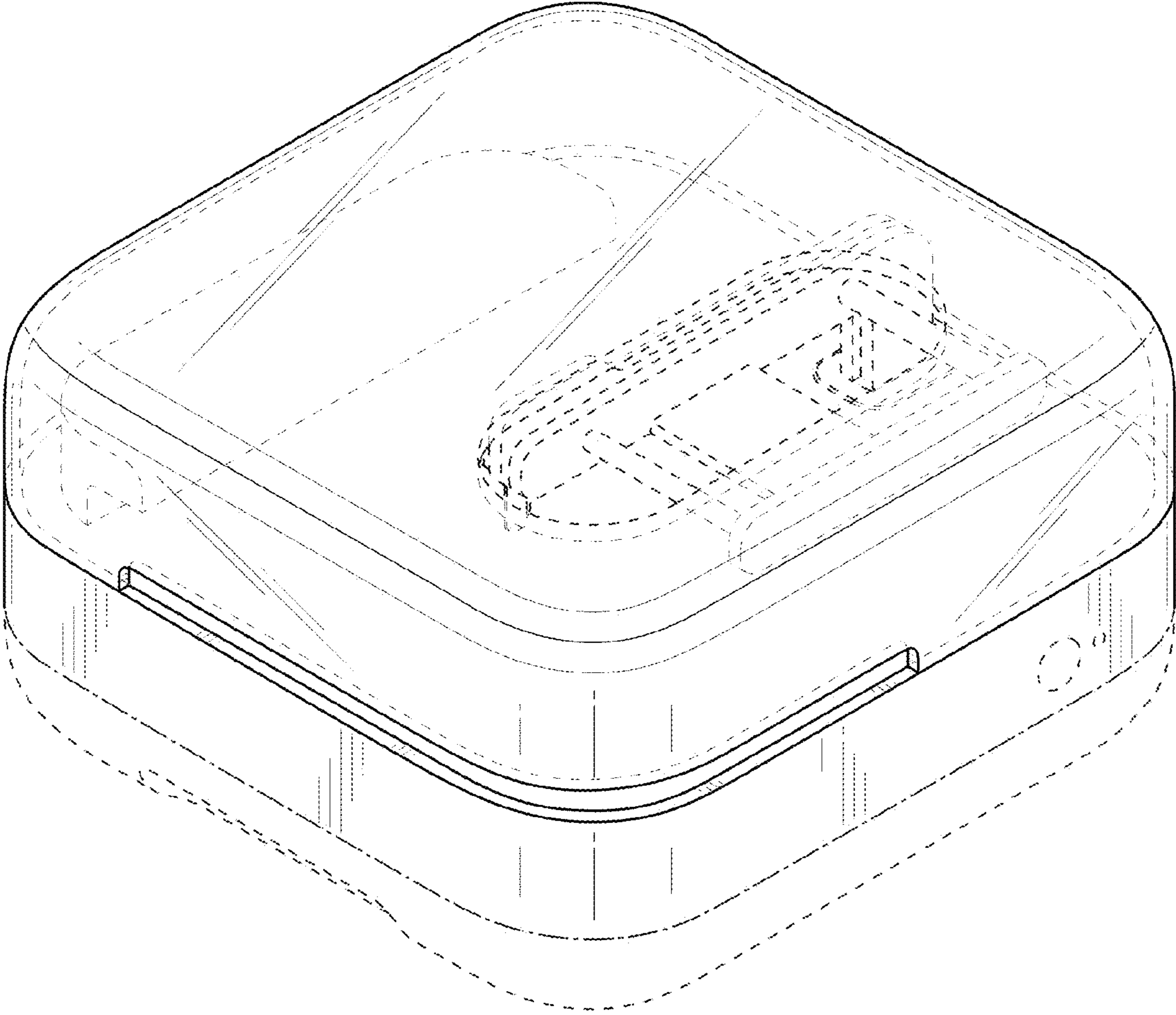


FIG. 1

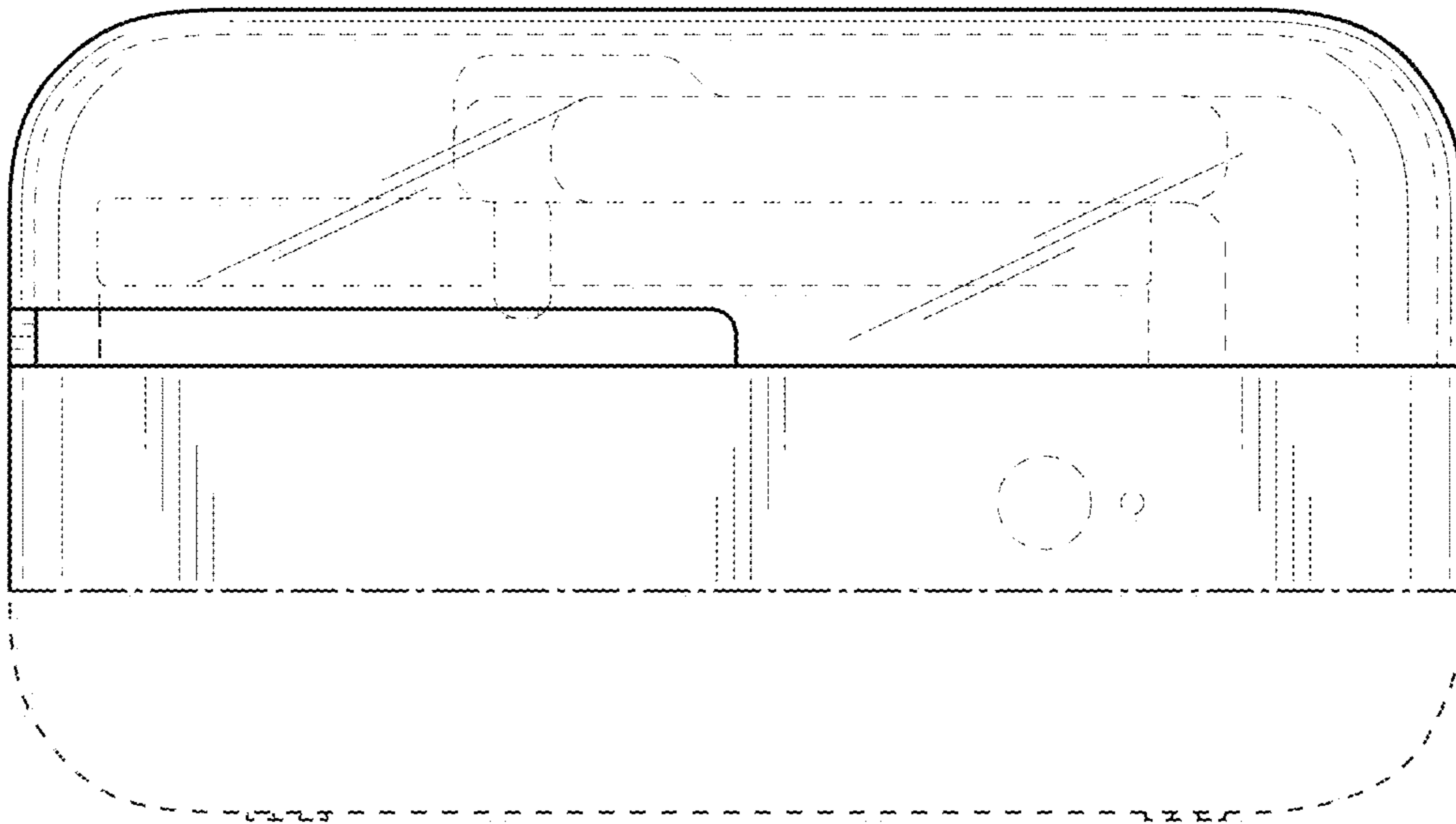


FIG. 2

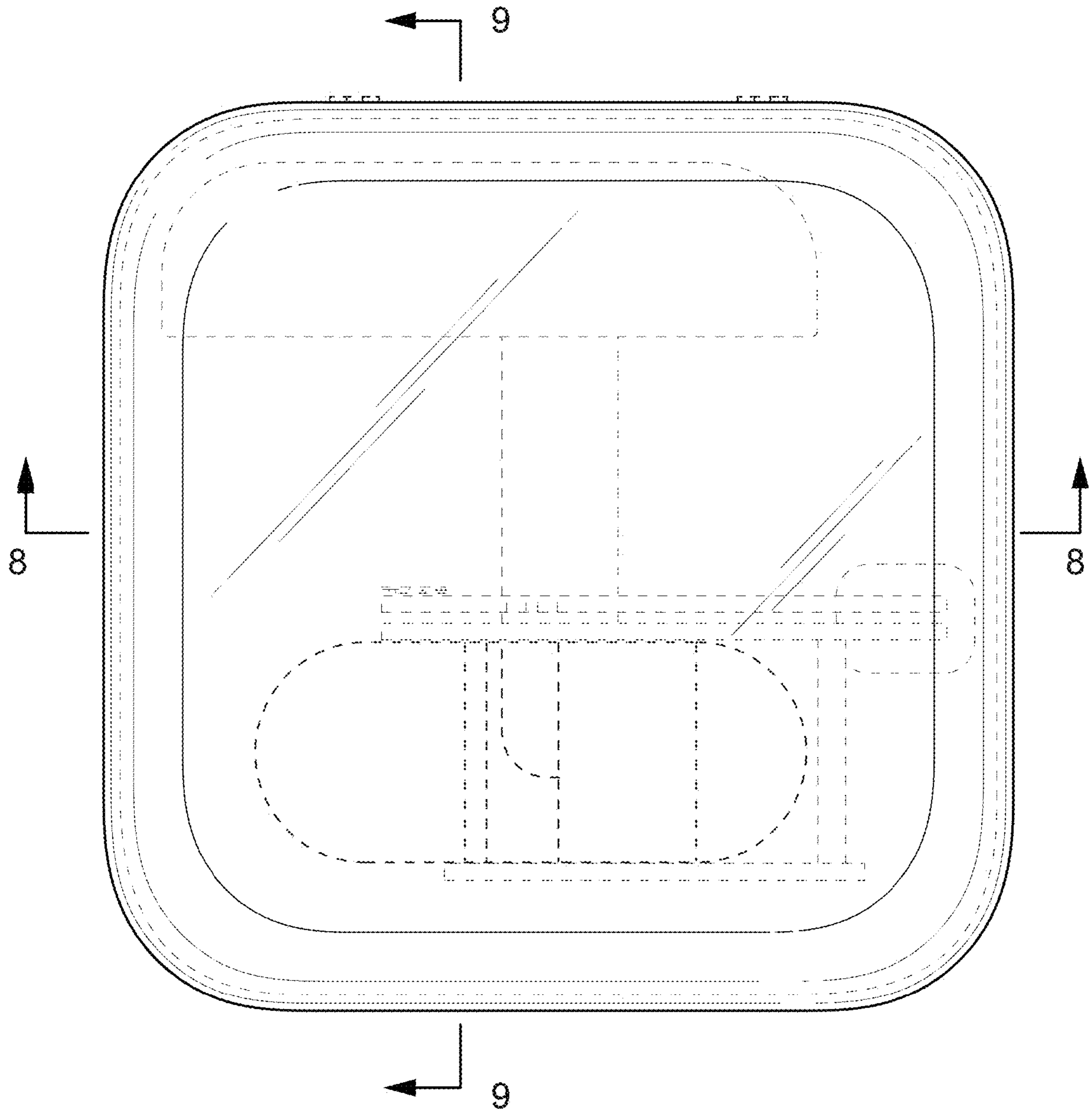


FIG. 3

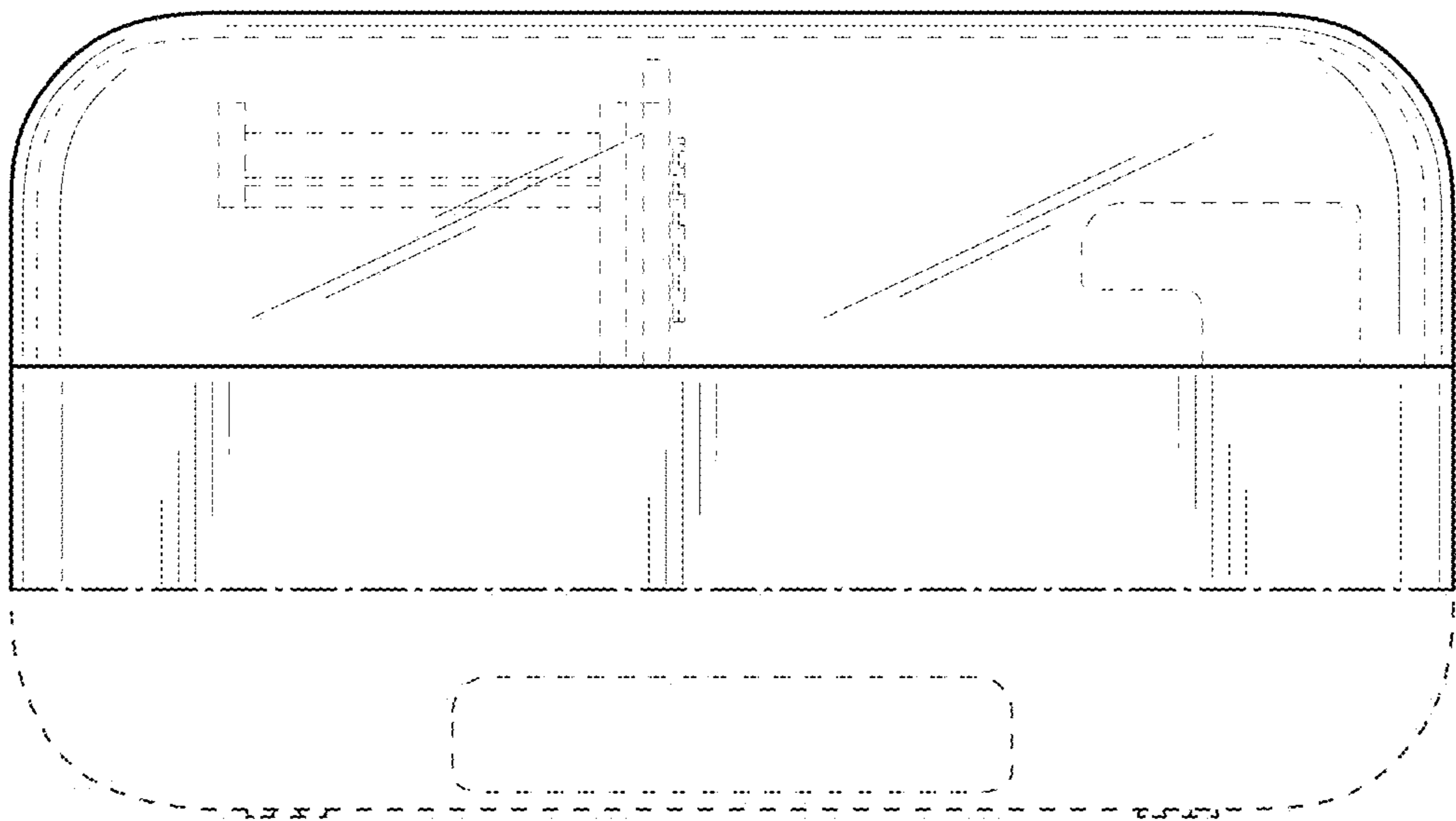


FIG. 4

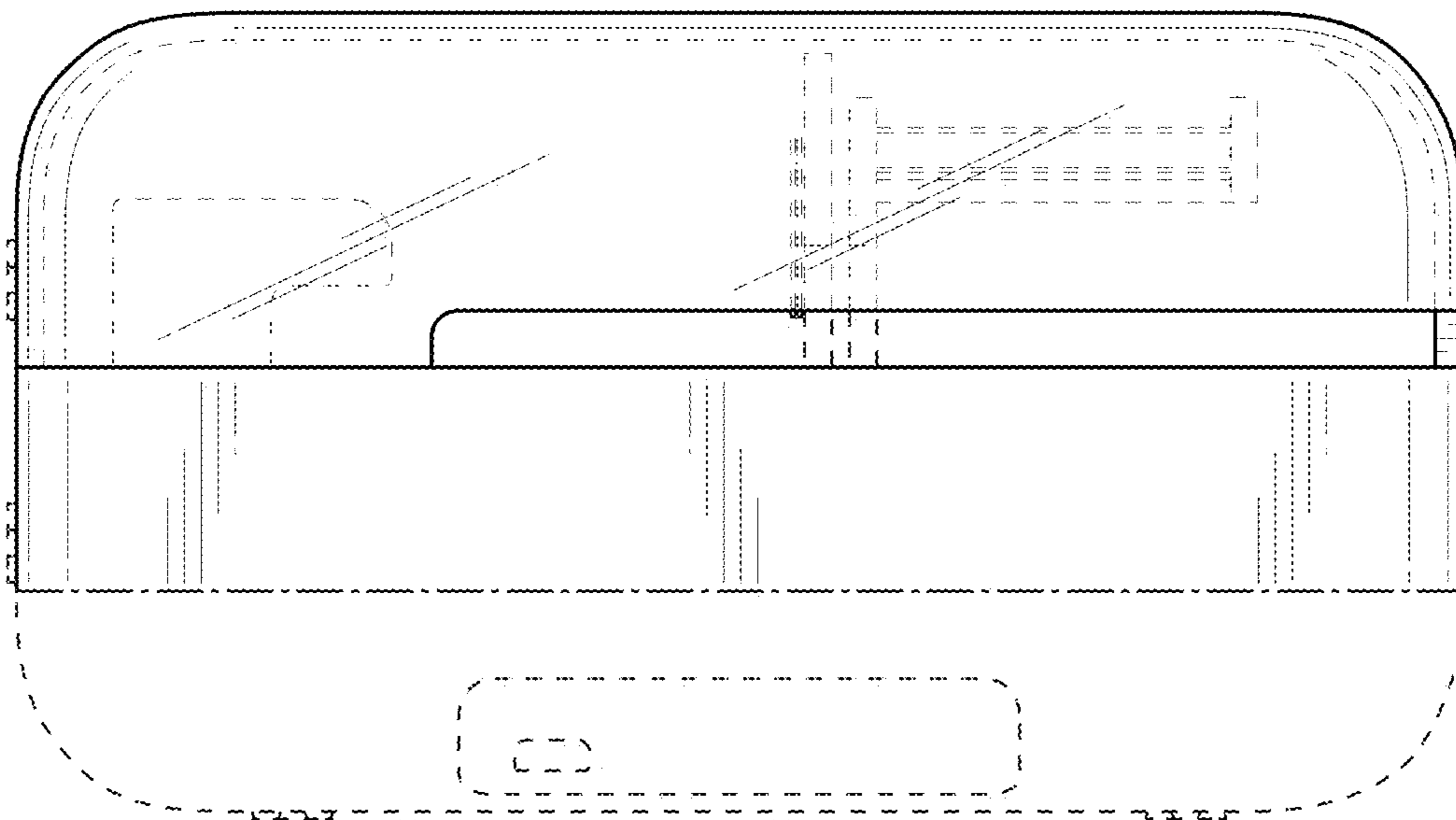


FIG. 5

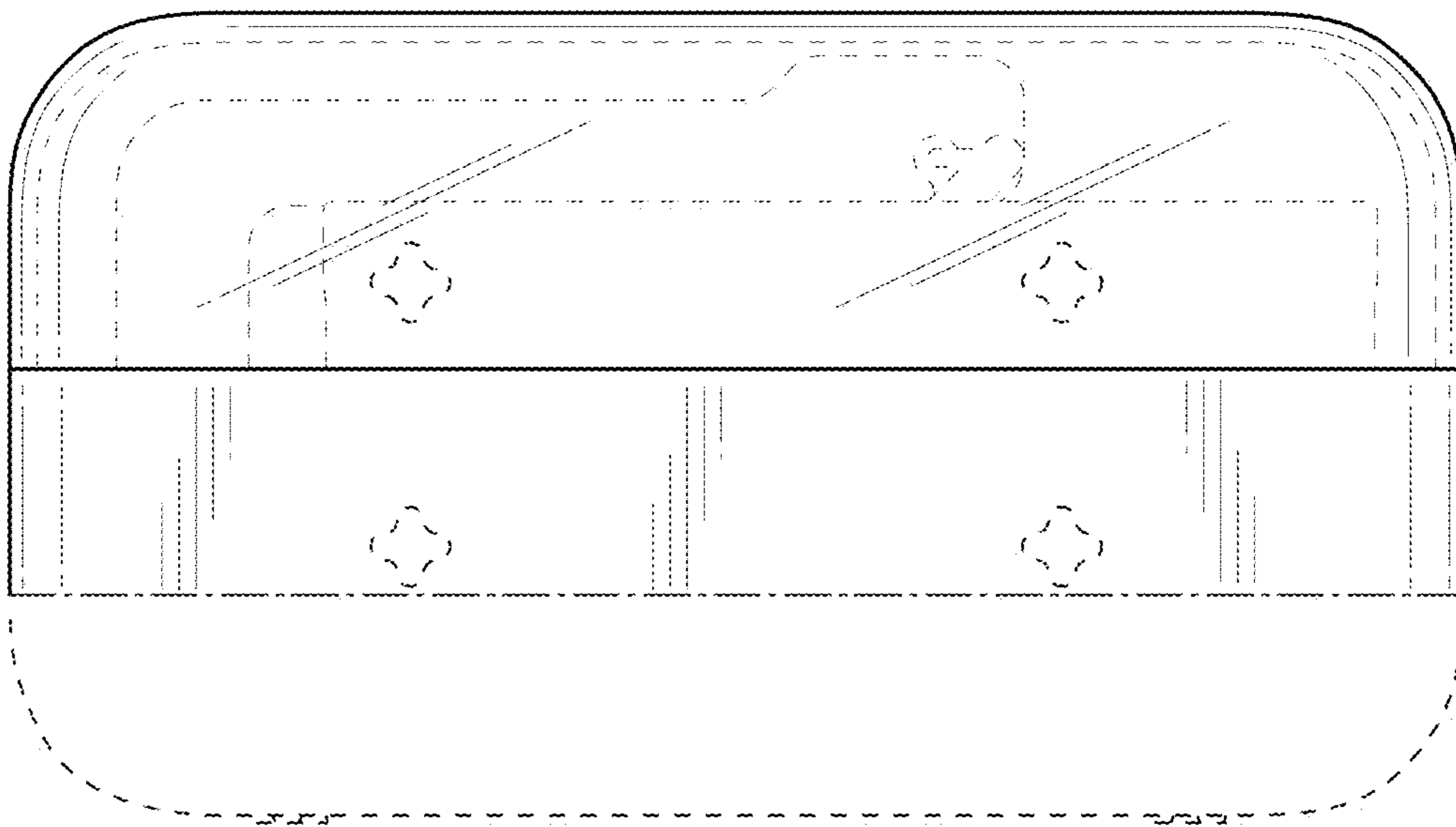


FIG. 6

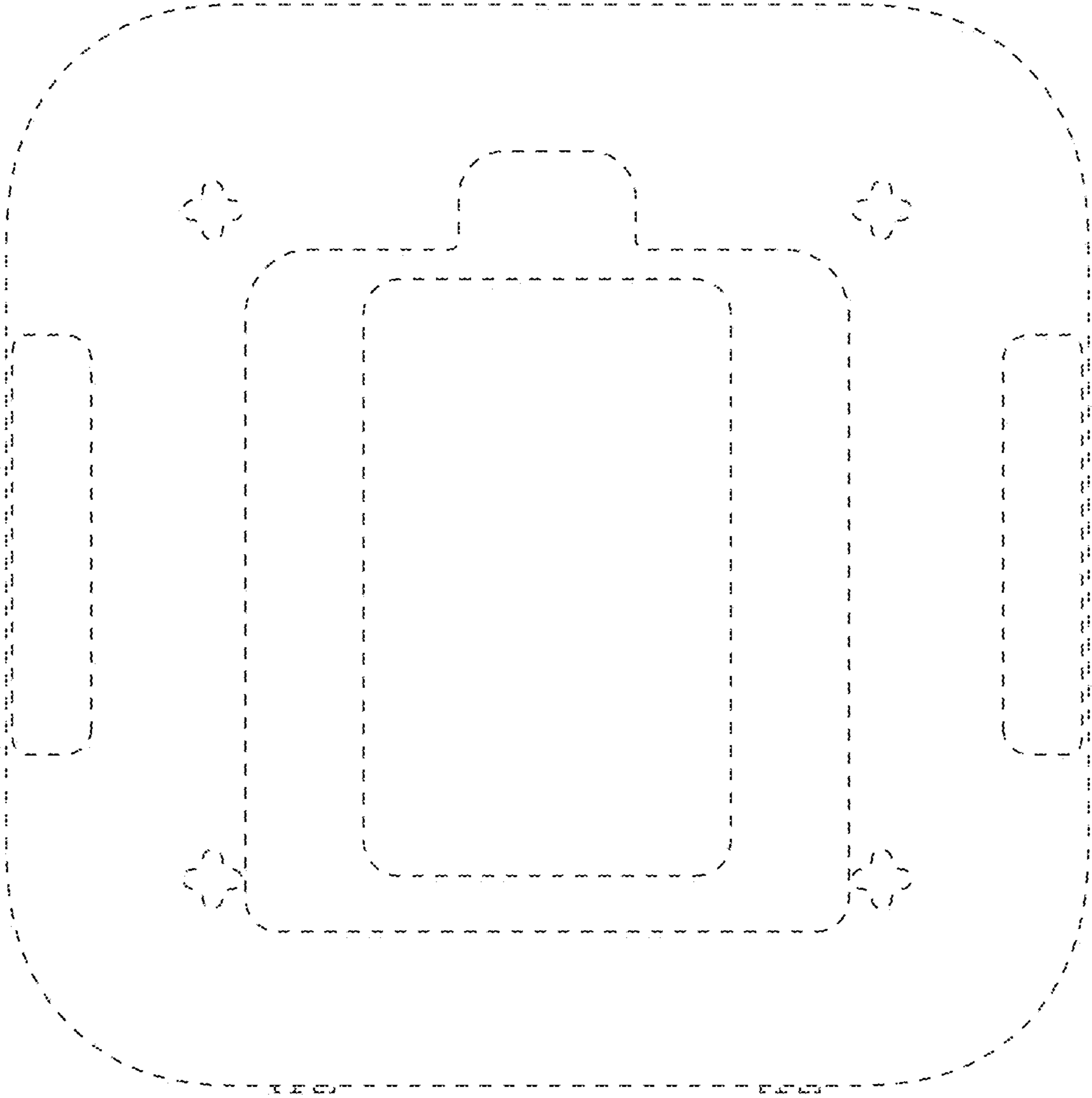


FIG. 7

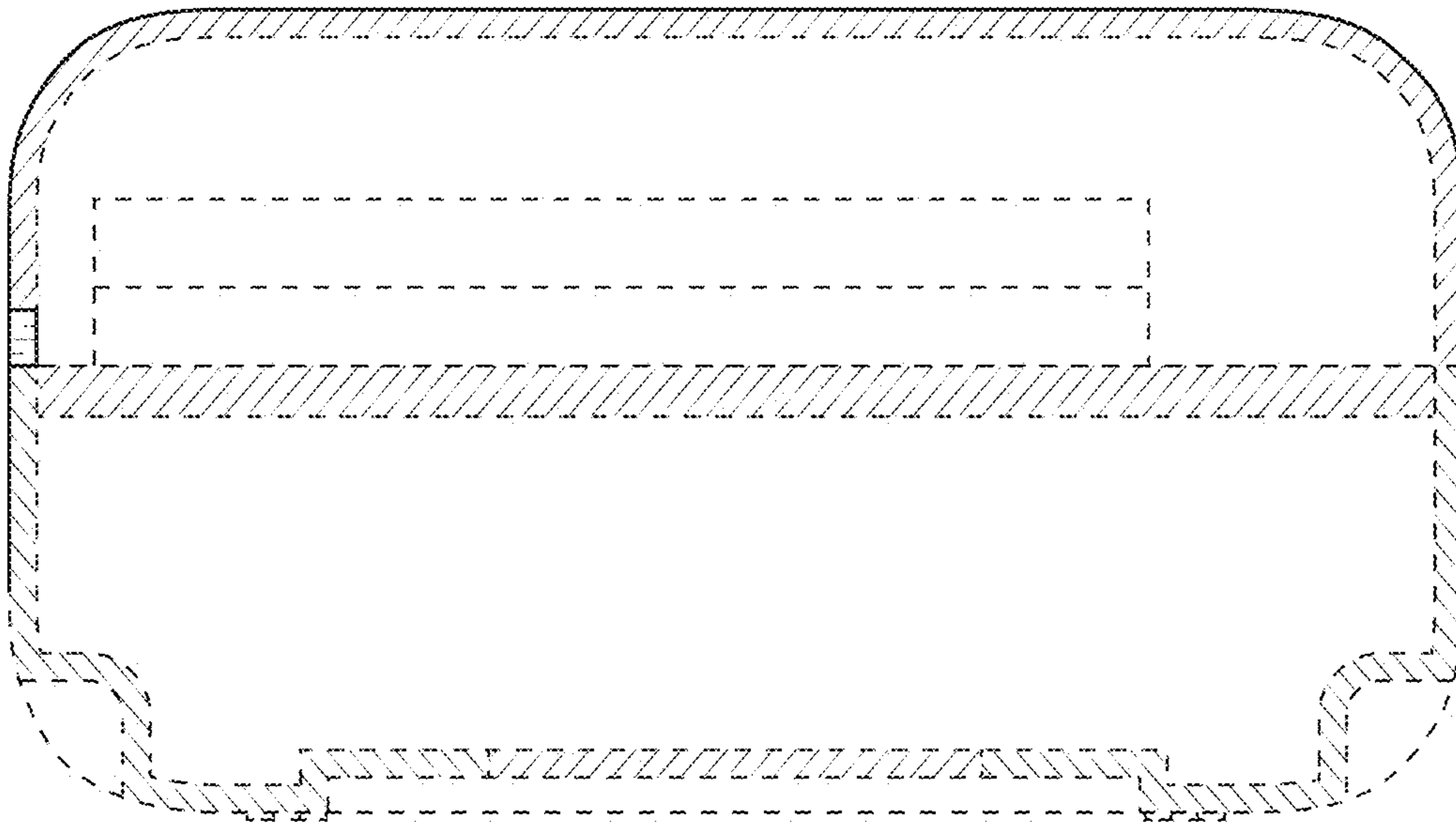


FIG. 8

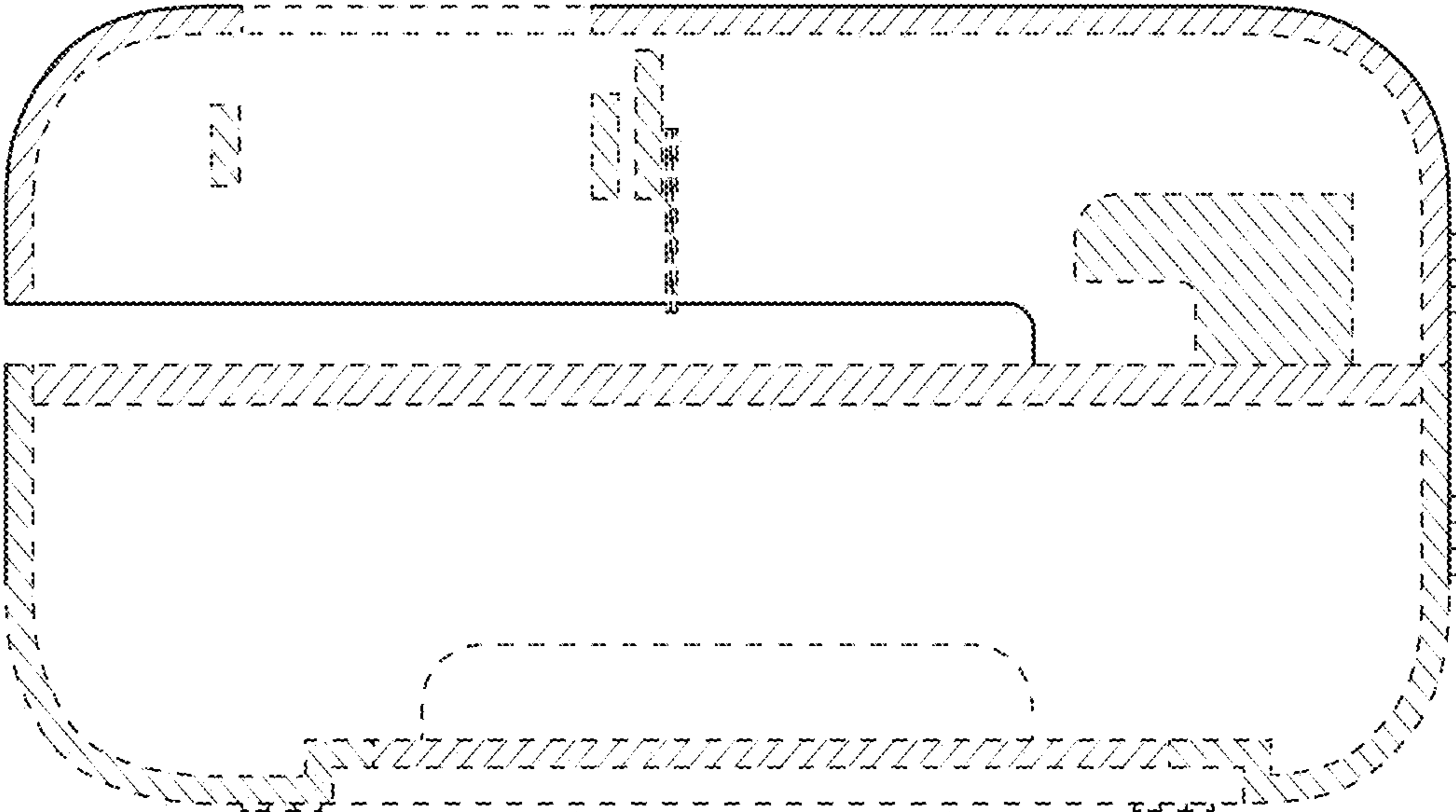


FIG. 9