



US00D879843S

(12) **United States Design Patent**
Gonzales et al.

(10) **Patent No.:** **US D879,843 S**
(45) **Date of Patent:** **** Mar. 31, 2020**

(54) **HARVESTER**
(71) Applicant: **CNH Industrial America LLC**, New Holland, PA (US)
(72) Inventors: **Jesse Gonzales**, Fairfax, VA (US); **Eric Jacobsthal**, Elmhurst, IL (US); **James Lee**, Bolingbrook, IL (US); **Philippe Boisseau**, Saint-Julien-des-Landes (FR); **Cyrille Paquereau**, Led Sables d'Olonne (FR)

5,924,270 A * 7/1999 Bruns A01D 75/20
56/119
D436,363 S * 1/2001 Strong D15/10
D460,461 S * 7/2002 Strong D15/10
D544,886 S * 6/2007 Pedracini D15/26
D568,342 S * 5/2008 Kleingraeber D15/26
D599,830 S * 9/2009 Jacobsthal D15/26
D639,826 S * 6/2011 Barreilmeyer D15/26
D723,071 S * 2/2015 Jacobsthal D15/33
D743,450 S * 11/2015 Claeyss D15/33
D766,993 S * 9/2016 Jacobsthal D15/30
D797,813 S * 9/2017 Budde D15/26
D826,994 S * 8/2018 De Smet D15/26

(**) Term: **15 Years**

* cited by examiner

(21) Appl. No.: **29/670,056**

Primary Examiner — Mark A Goodwin

(22) Filed: **Nov. 13, 2018**

(74) *Attorney, Agent, or Firm* — Patrick Sheldrake; Peter Zacharias

(51) **LOC (12) Cl.** **15-03**

(57) **CLAIM**

(52) **U.S. Cl.**
USPC **D15/33**

The ornamental design for a harvester, as shown and described.

(58) **Field of Classification Search**
USPC D15/10–12, 22–26, 28; 56/14.5–14.7,
56/16.6, 122–125; 296/190, 191;
460/83, 119; 180/89.1, 89.12

DESCRIPTION

CPC A01B 73/00; A01D 75/00; A01D 41/06;
A01D 41/1208; A01D 41/00; A01D
67/00; A01D 45/00; A01D 45/02; A01D
45/021; A01D 43/081
See application file for complete search history.

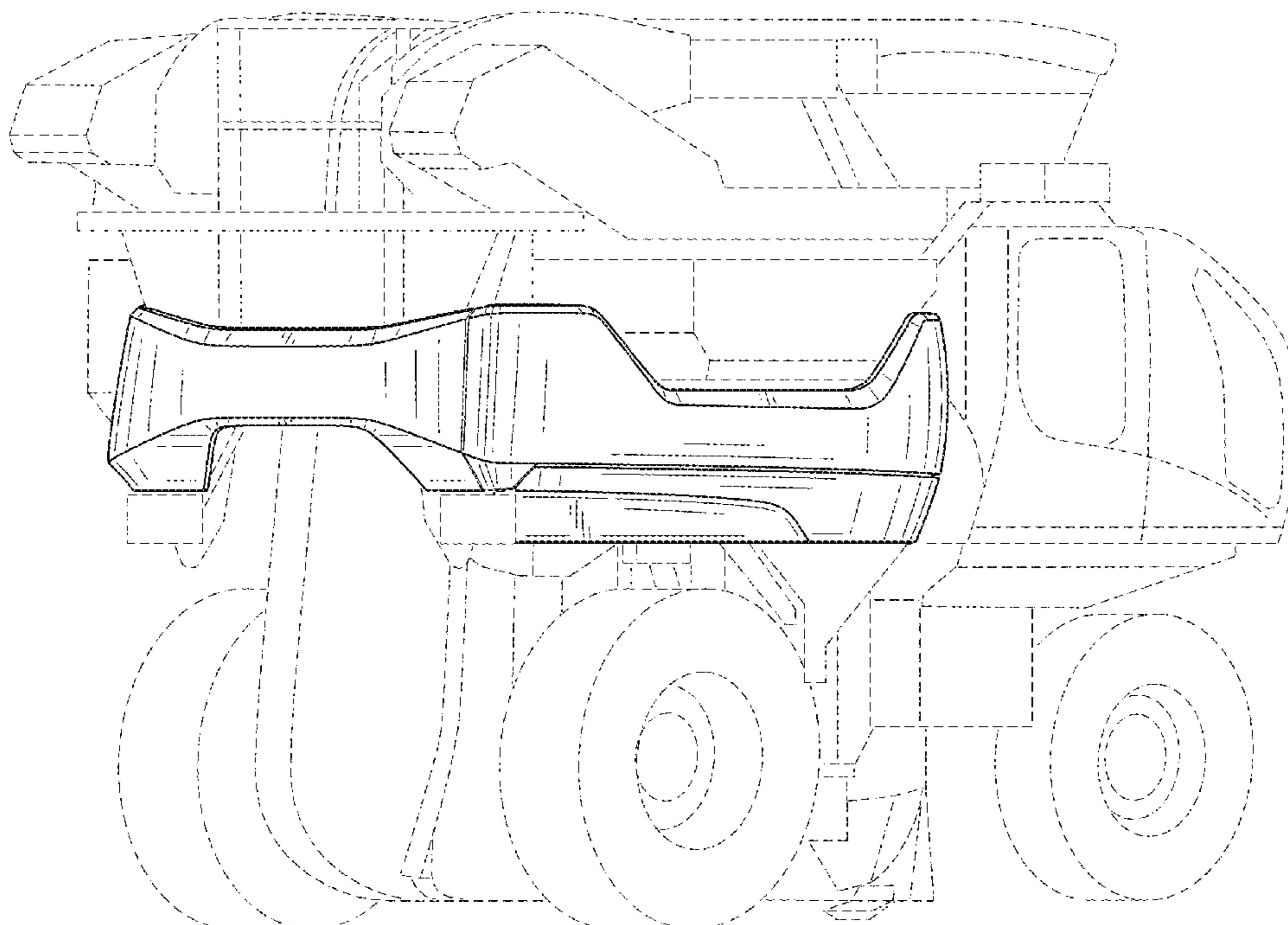
FIG. 1 is a perspective view of a harvester showing our new design.
FIG. 2 is a left side-view of the harvester of FIG. 1.
FIG. 3 is a right-side view of the harvester of FIG. 1.
FIG. 4 is a front view of the harvester of FIG. 1.
FIG. 5 is a right-side view of the harvester of FIG. 1.
FIG. 6 is a top view of the harvester of FIG. 1; and,
FIG. 7 is a bottom view of the harvester of FIG. 1.
The dashed lines shown in the figures represent environmental subject matter and form no part of the claimed design.

(56) **References Cited**

U.S. PATENT DOCUMENTS

D326,457 S * 5/1992 Pink D15/11
D399,851 S * 10/1998 Stauffer D15/10
D400,543 S * 11/1998 Benedict D15/10

1 Claim, 7 Drawing Sheets



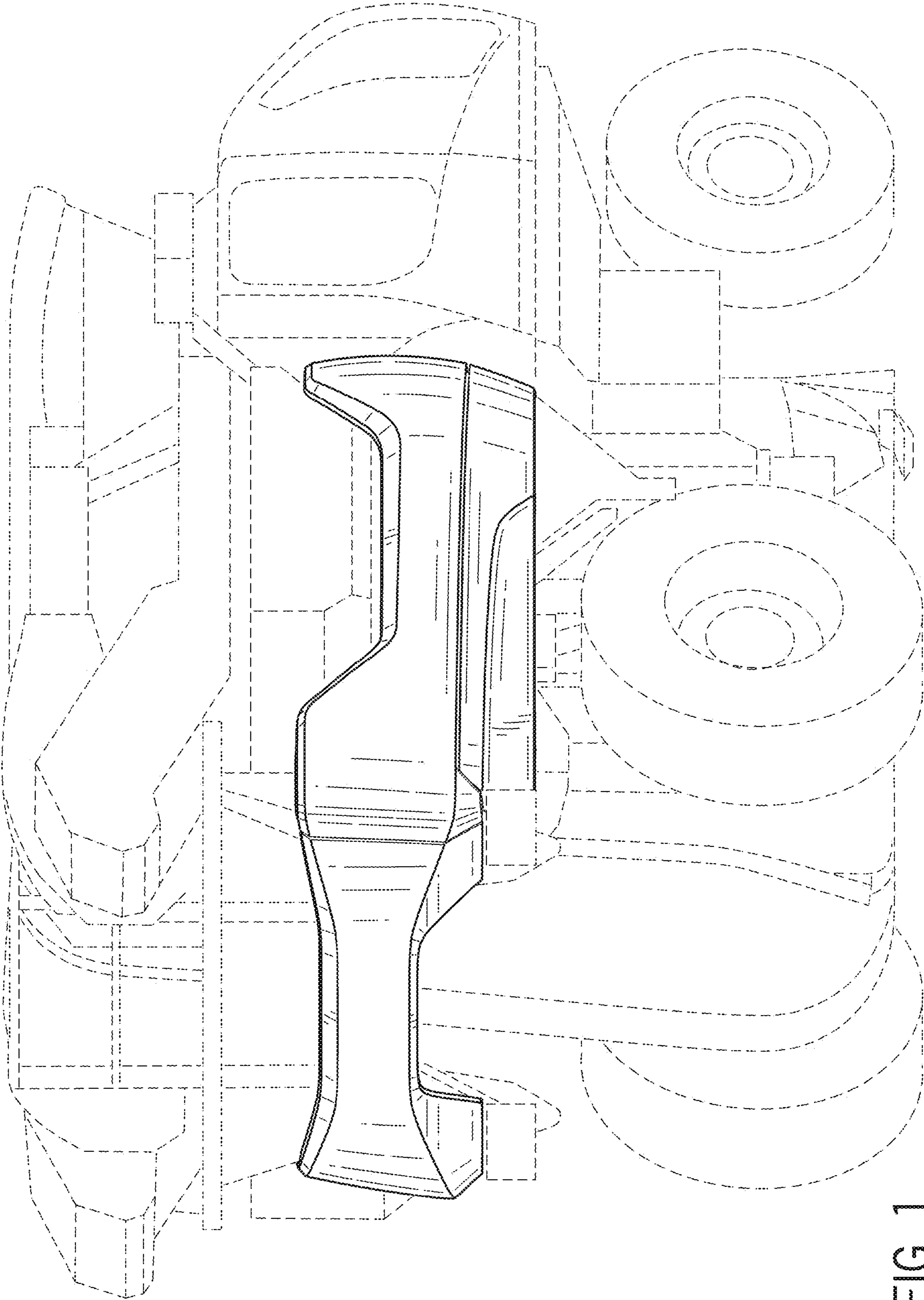


FIG. 1

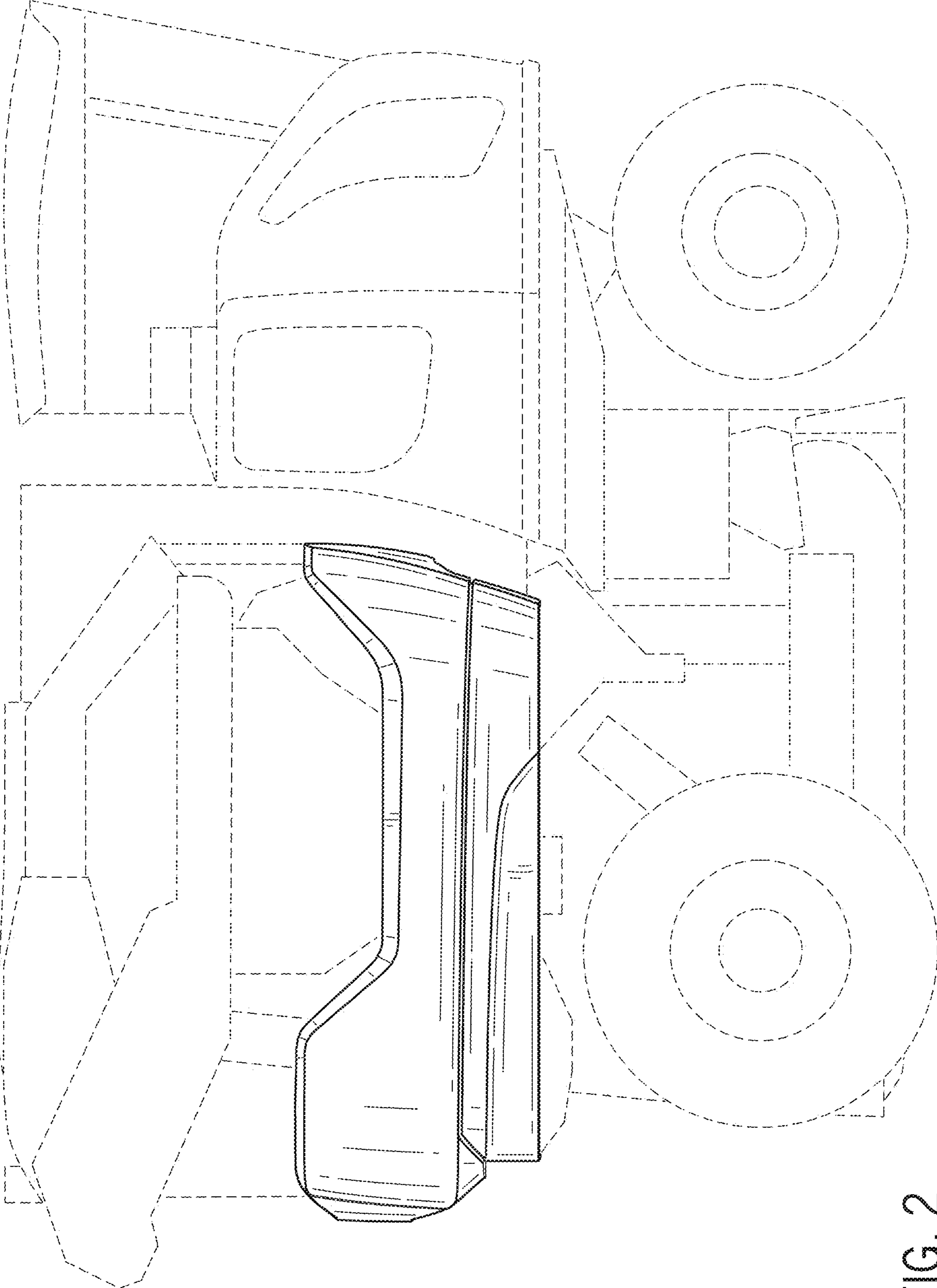


FIG. 2

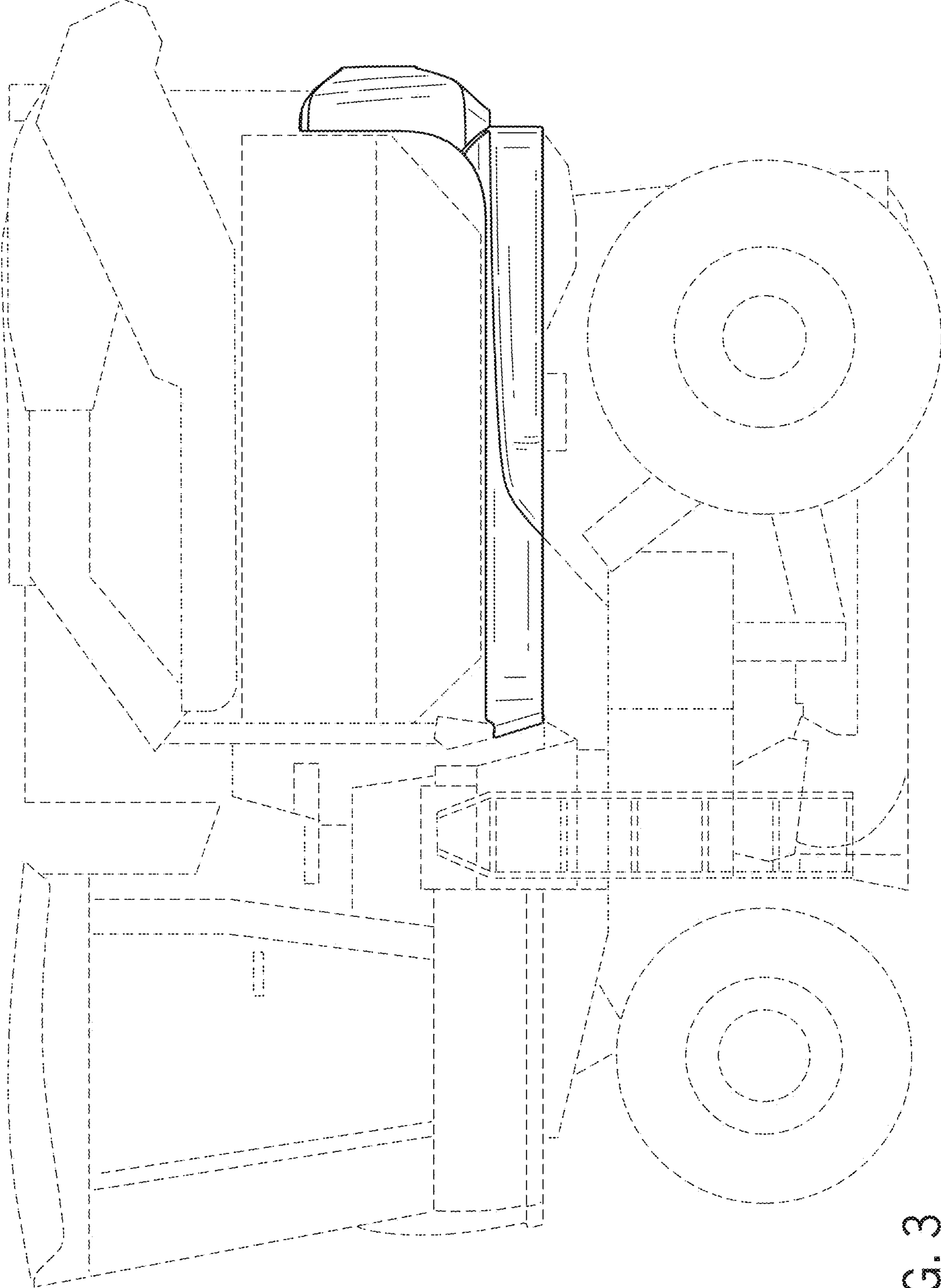


FIG. 3

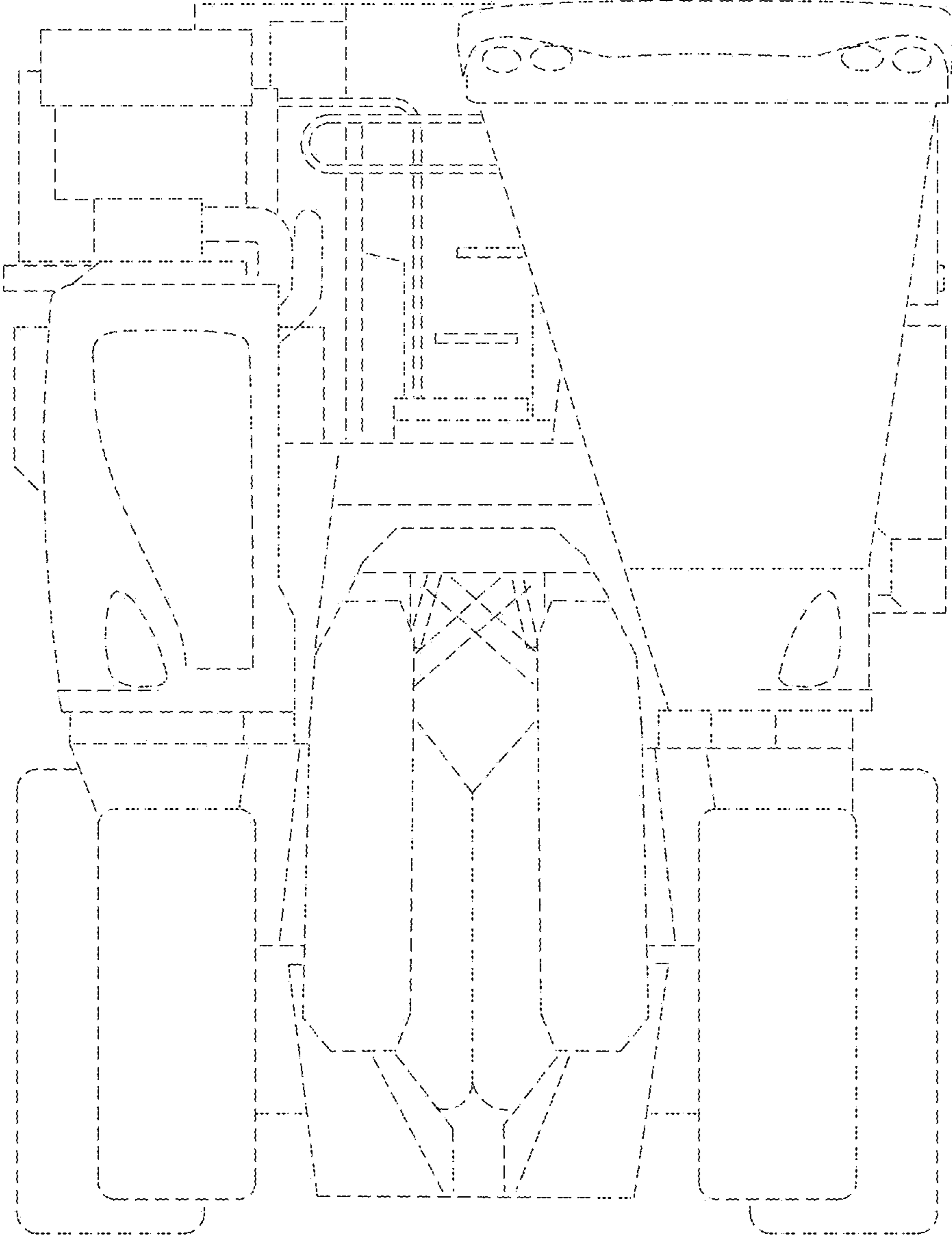


FIG. 4

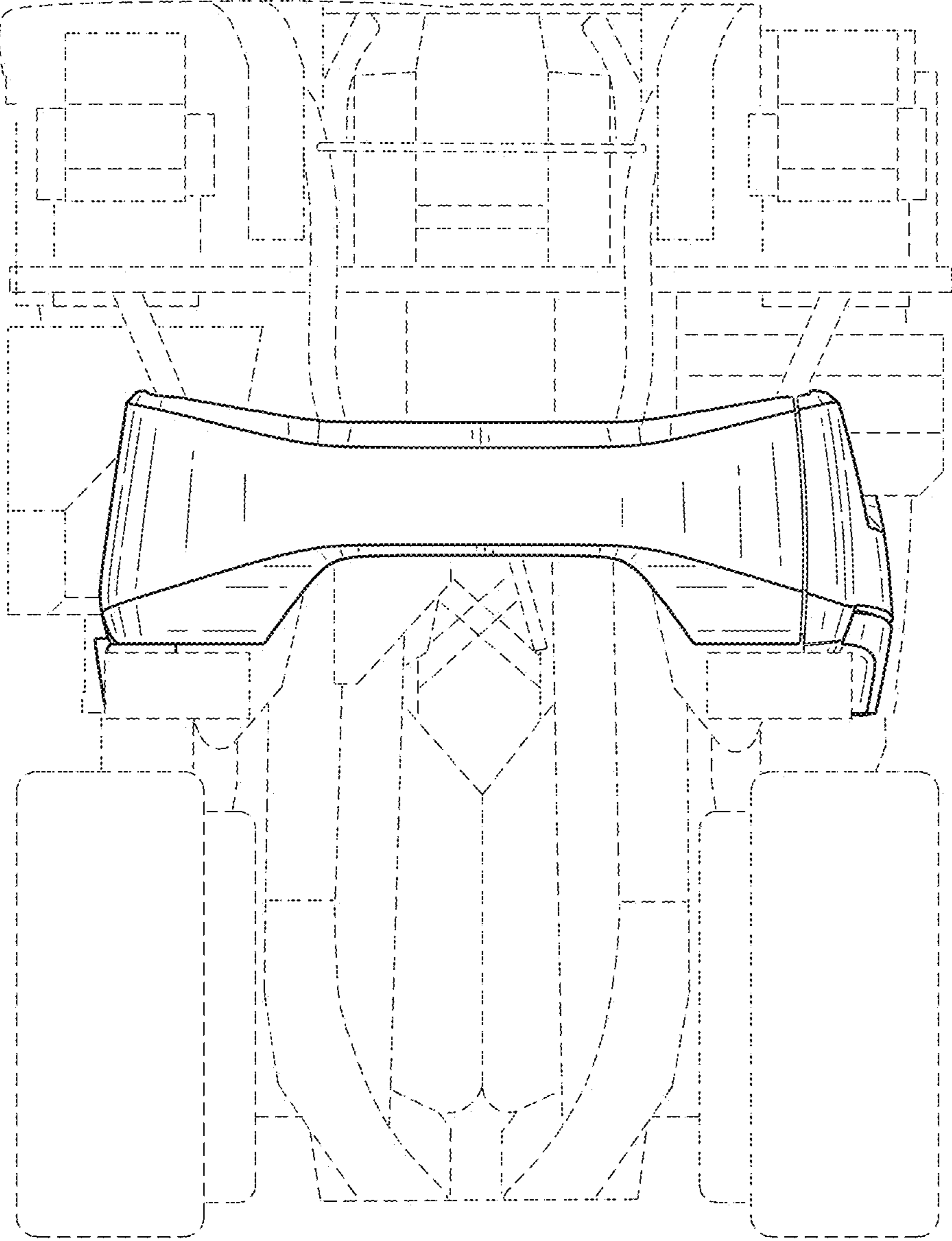


FIG. 5

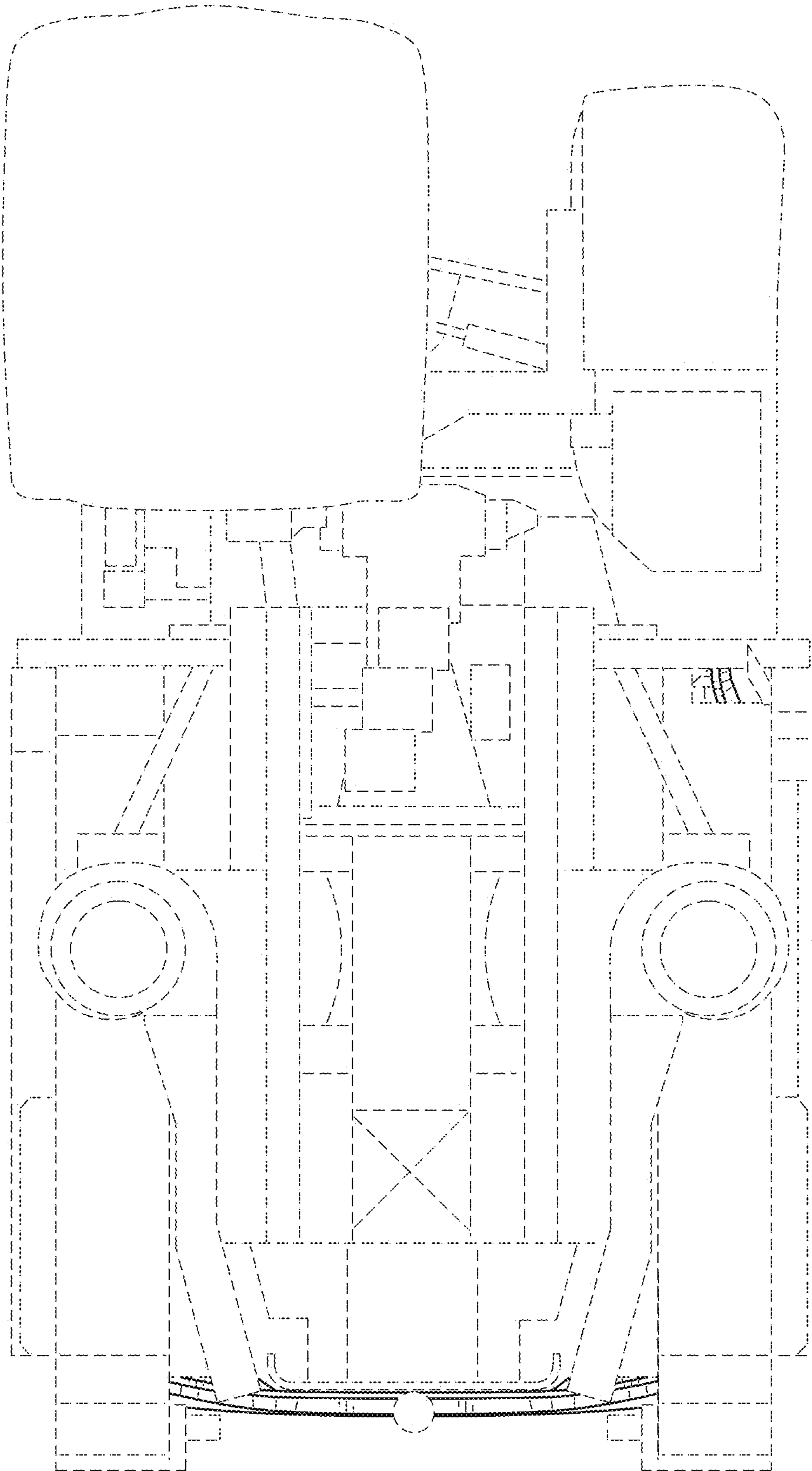


FIG. 6

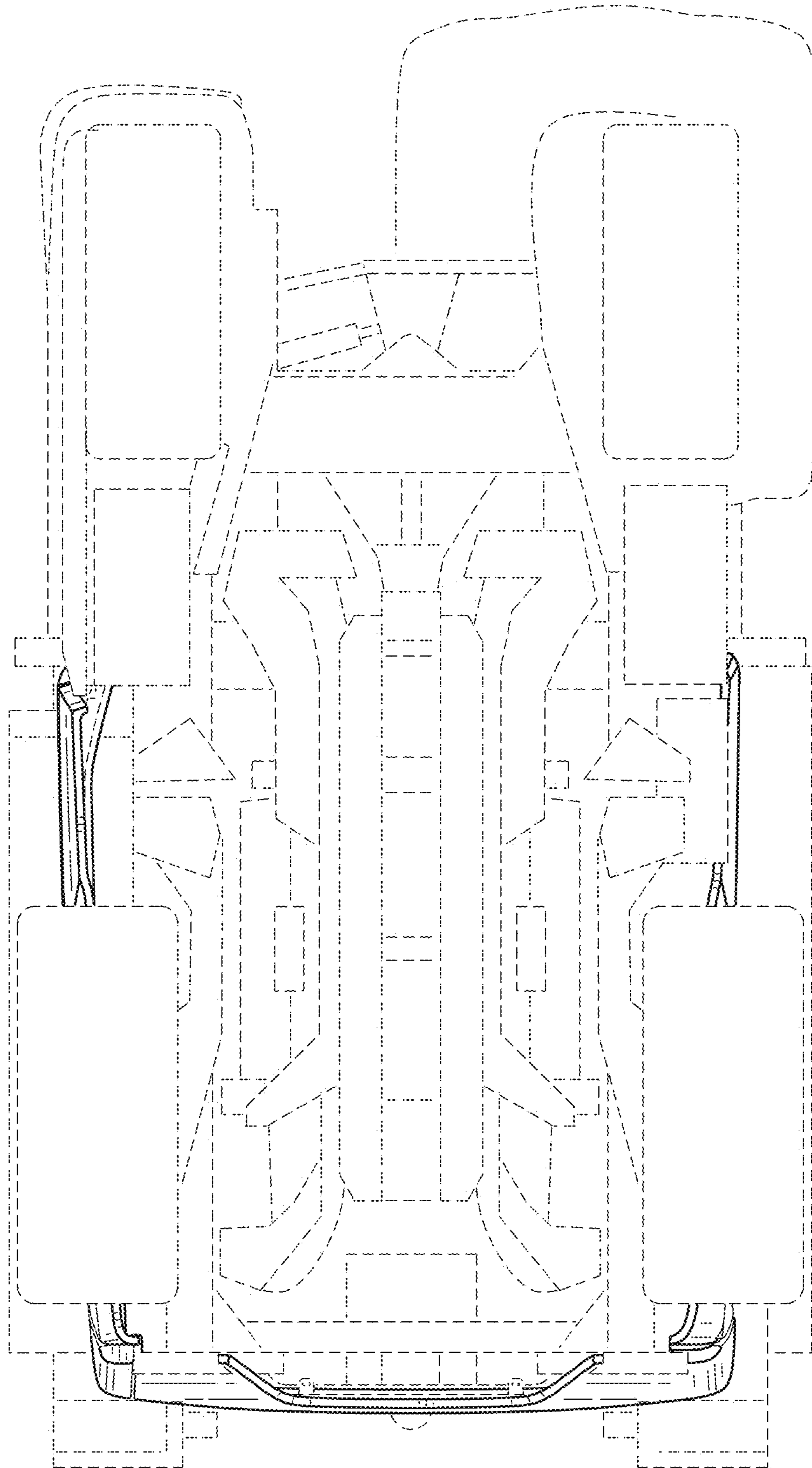


FIG. 7