



US00D879842S

(12) **United States Design Patent**
Gordon

(10) **Patent No.:** **US D879,842 S**

(45) **Date of Patent:** **** Mar. 31, 2020**

(54) **LAWN MOWER SHADE**

(71) Applicant: **Sheila Tamara Gordon**, Fairburn, GA
(US)

(72) Inventor: **Sheila Tamara Gordon**, Fairburn, GA
(US)

(**) Term: **15 Years**

(21) Appl. No.: **29/602,297**

(22) Filed: **Apr. 29, 2017**

(51) **LOC (12) Cl.** **15-03**

(52) **U.S. Cl.**
USPC **D15/17**

(58) **Field of Classification Search**
CPC A01C 17/008; A01C 15/02; A01G 29/00
See application file for complete search history.

(56) **References Cited**

U.S. PATENT DOCUMENTS

- D509,513 S * 9/2005 Henssler D15/14
- D510,364 S * 10/2005 Wessel D15/12
- D513,756 S * 1/2006 Henssler D15/14
- D514,129 S * 1/2006 Henssler D15/14

- D656,162 S * 3/2012 Wiik D15/11
- D709,525 S * 7/2014 Poltorak D15/17
- D748,360 S * 1/2016 Dahmer D34/28
- D823,347 S * 7/2018 Lovely D15/17

* cited by examiner

Primary Examiner — Mark A Goodwin

Assistant Examiner — Benjamin M Weeks

(74) *Attorney, Agent, or Firm* — Gulf Coast Intellectual Property Group

(57) **CLAIM**

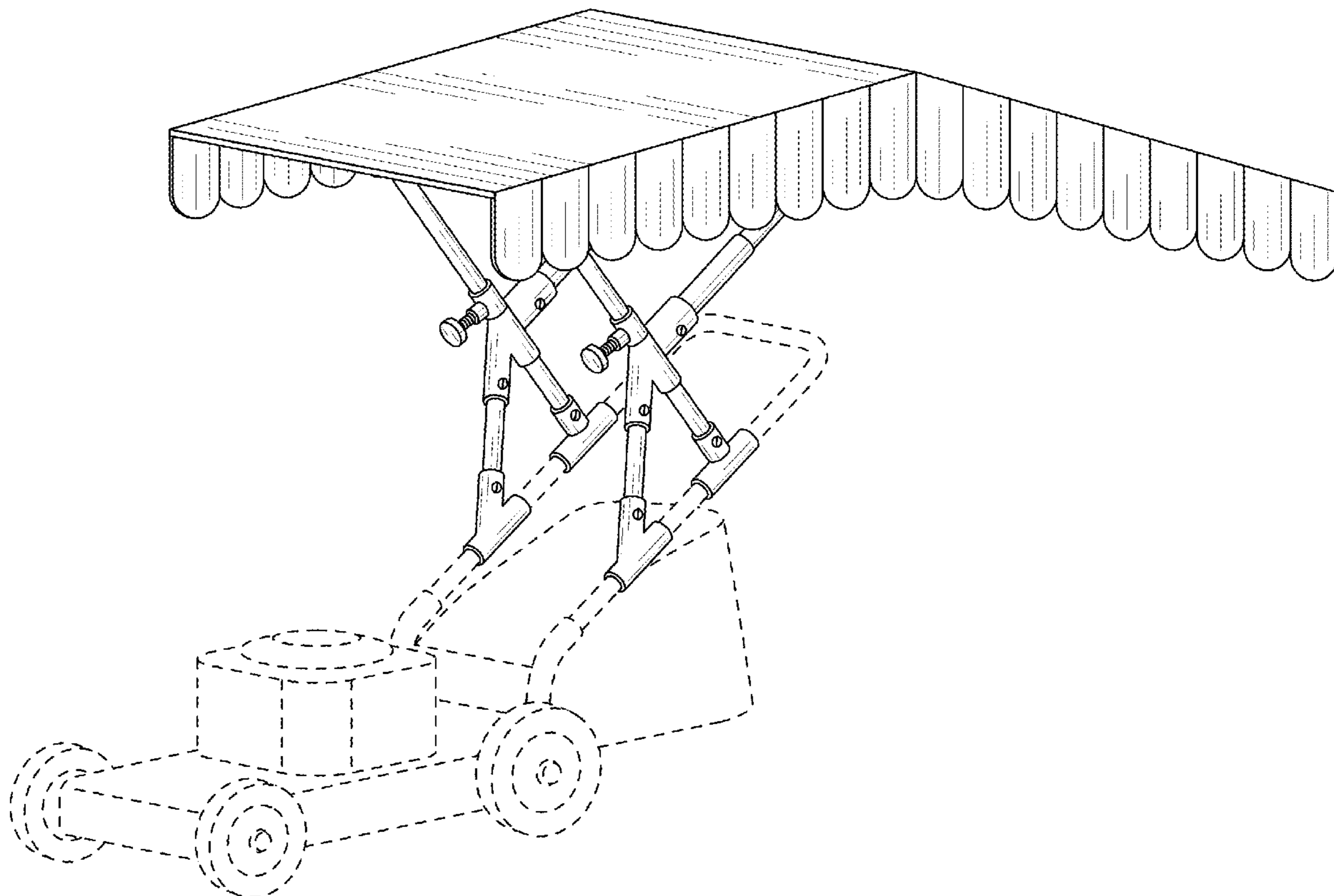
The ornamental design for the lawn mower shade, as shown and described.

DESCRIPTION

FIG. 1 is a perspective view of a lawn mower shade showing my new design;
 FIG. 2 is a front view thereof;
 FIG. 3 is a rear view thereof;
 FIG. 4 is a left side view thereof;
 FIG. 5 is a right side view thereof; and,
 FIG. 6 is a top plan view thereof.

The broken line showing of a lawnmower is included for the purpose of illustrating environmental use only and forms no part of the claimed design.

1 Claim, 5 Drawing Sheets



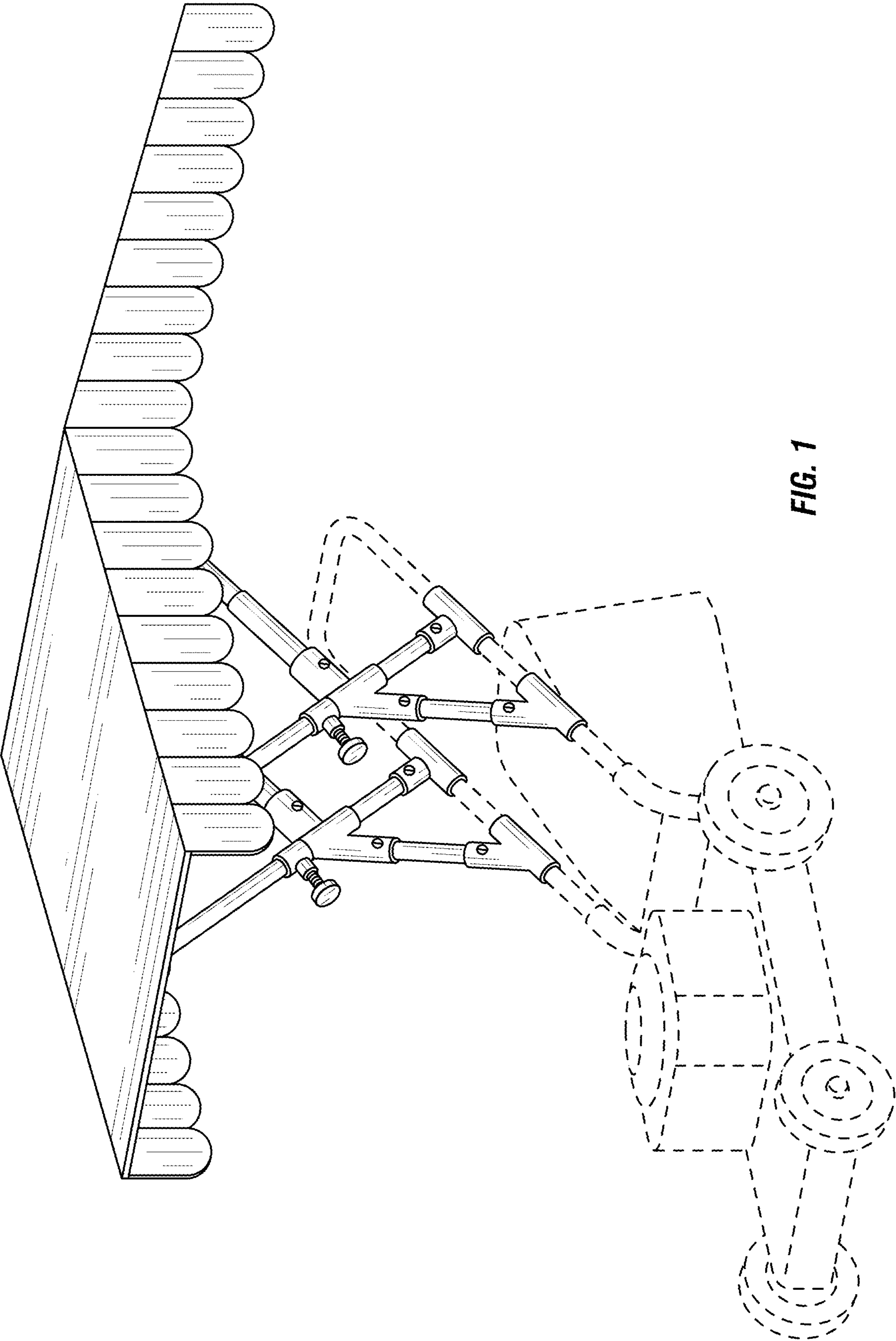


FIG. 1

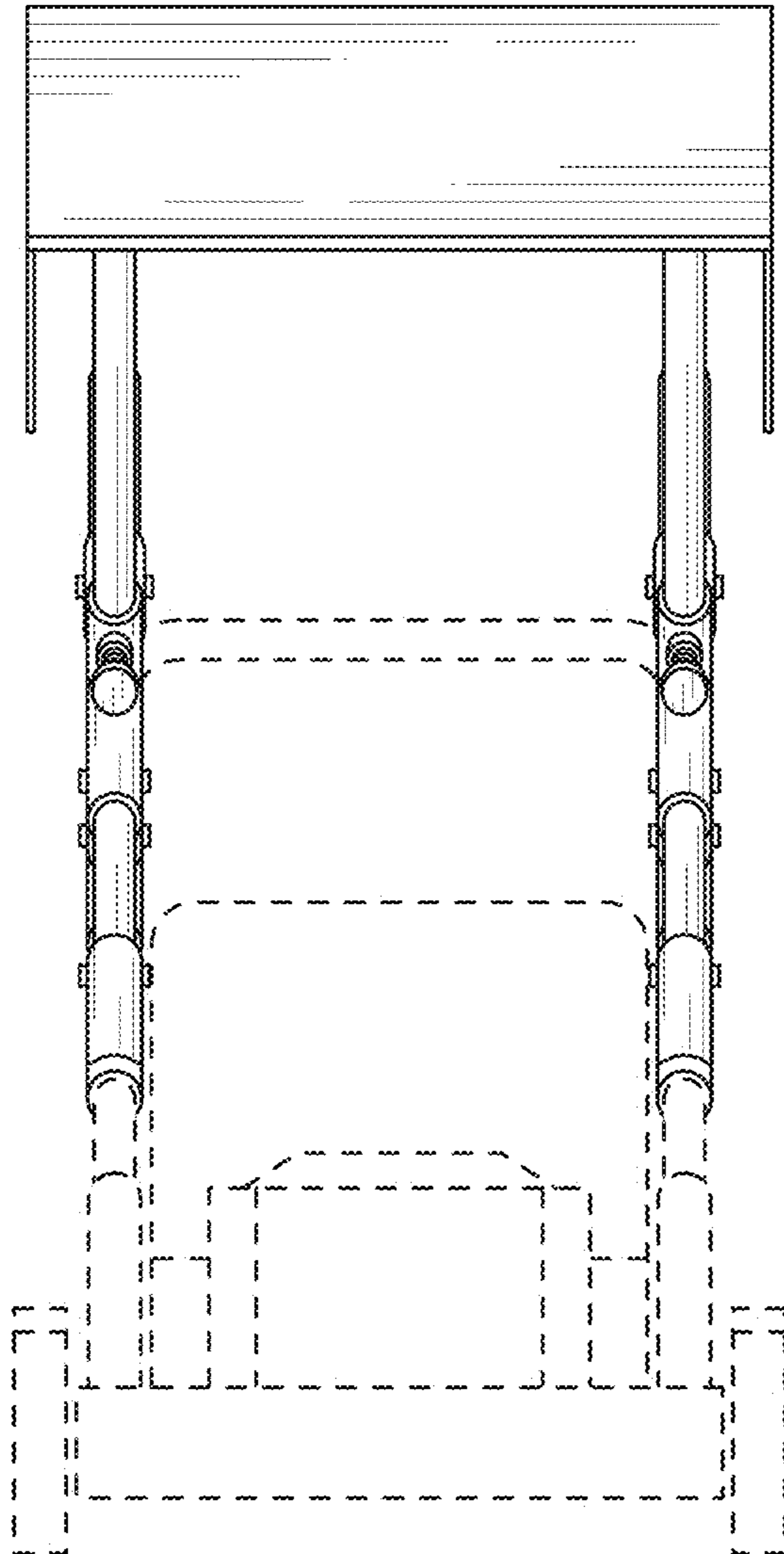


FIG. 2

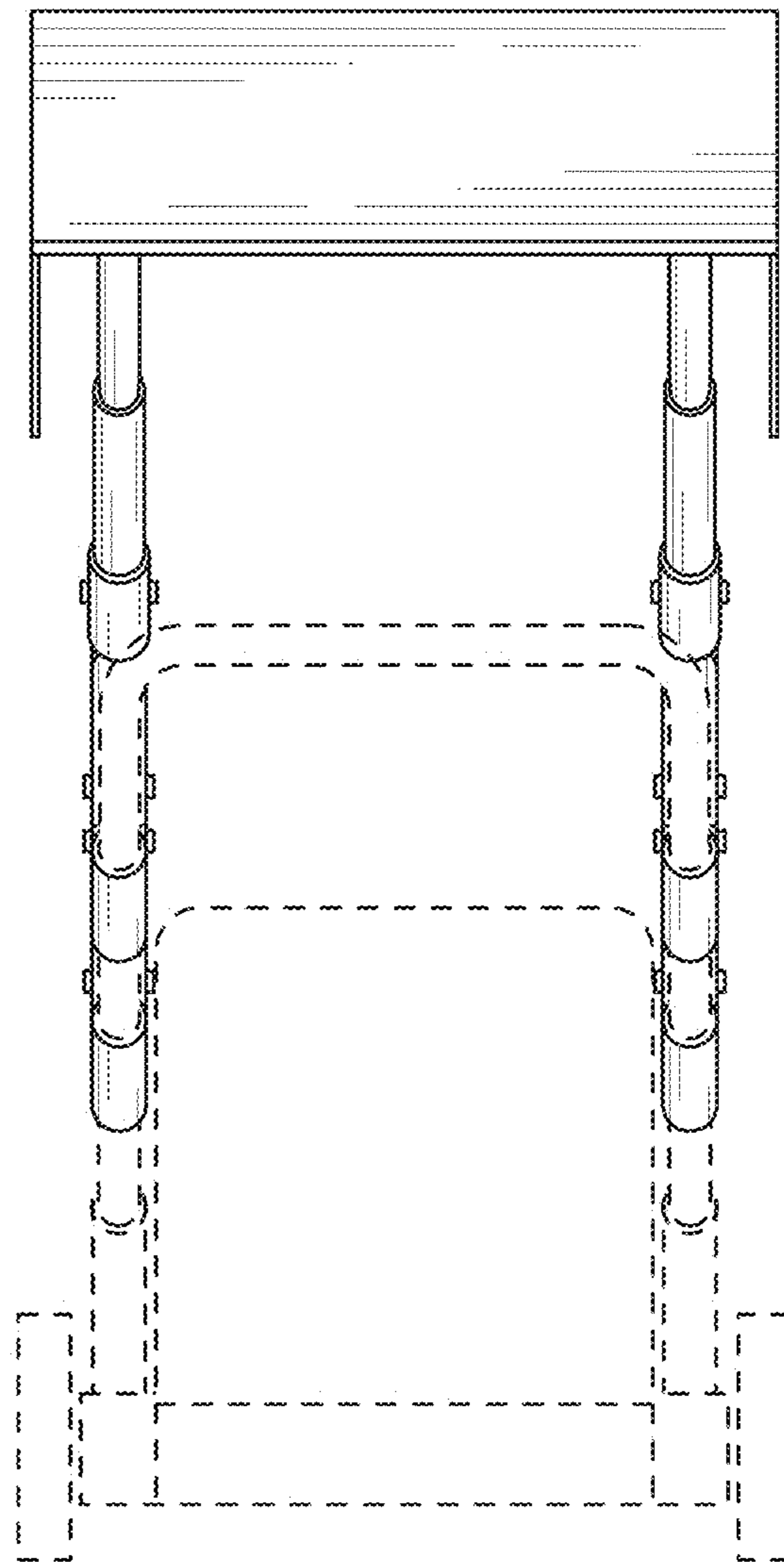


FIG. 3

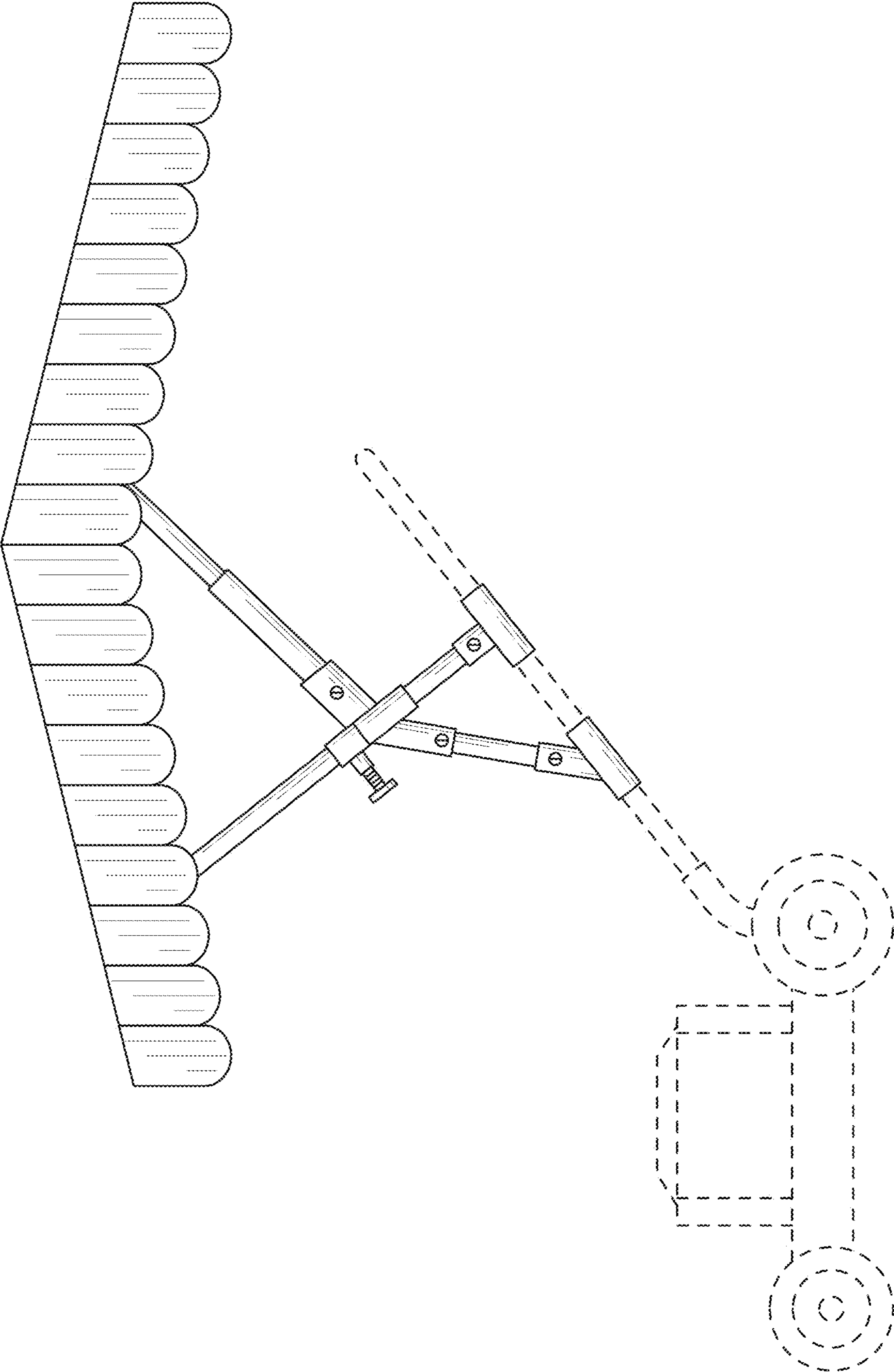


FIG. 4

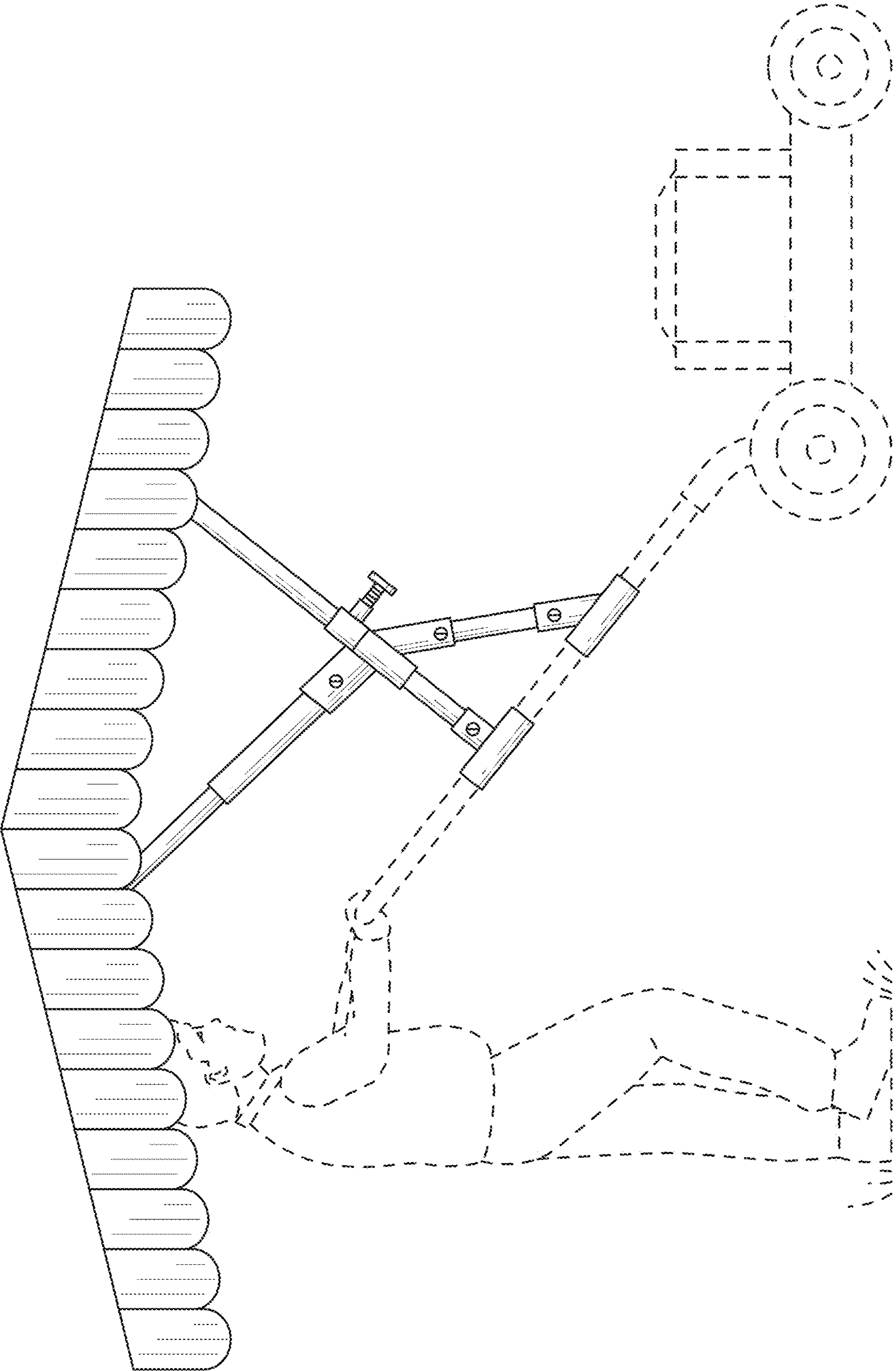


FIG. 5

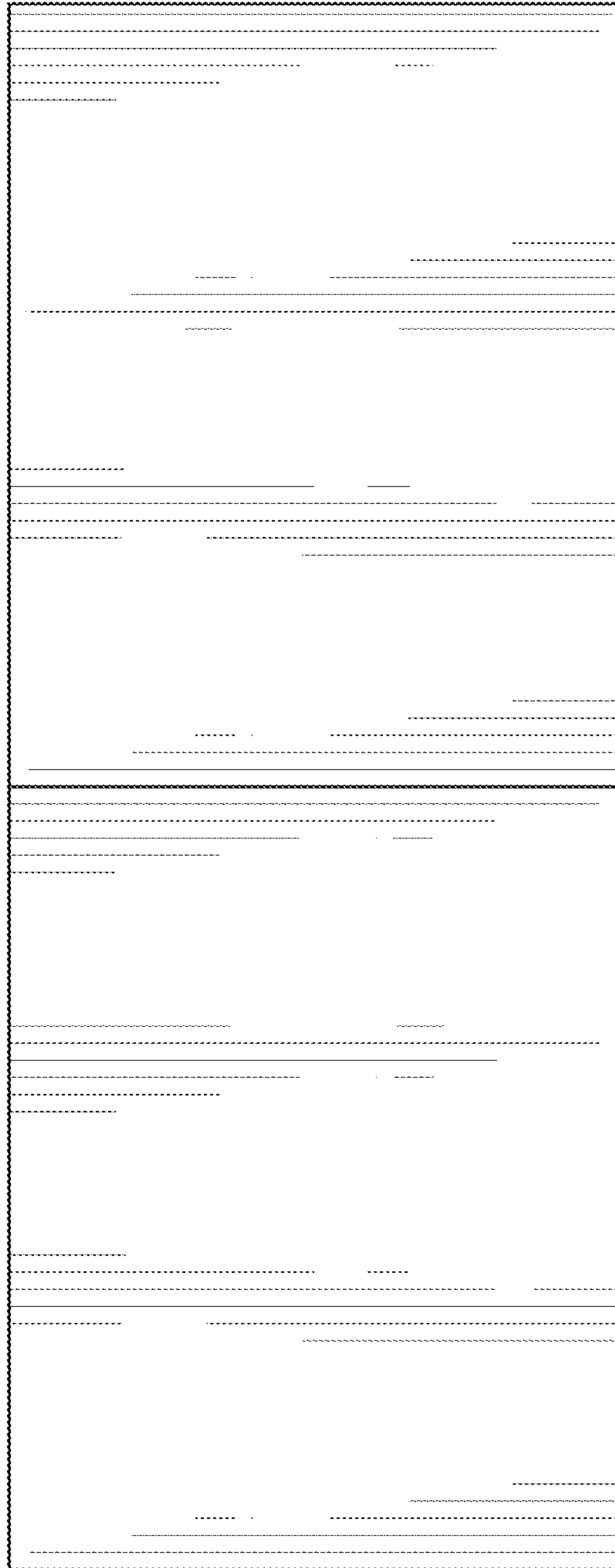


FIG. 6