



US00D879840S

(12) **United States Design Patent** (10) **Patent No.:** **US D879,840 S**  
**Alexander et al.** (45) **Date of Patent:** **\*\* Mar. 31, 2020**

(54) **PUMP MANIFOLD**  
(71) Applicant: **FNA Group, Inc.**, Pleasant Prairie, WI (US)  
(72) Inventors: **Gus Alexander**, Inverness, IL (US);  
**Chris Alexander**, Park Ridge, IL (US)  
(73) Assignee: **FNA Group, Inc.**, Pleasant Prairie, WI (US)  
(\*\*) Term: **15 Years**

(21) Appl. No.: **29/668,169**  
(22) Filed: **Oct. 29, 2018**  
(51) **LOC (12) Cl.** ..... **15-02**  
(52) **U.S. Cl.**  
USPC ..... **D15/7**  
(58) **Field of Classification Search**  
USPC ..... D15/7-9; D23/231, 232, 225  
CPC ..... F02M 37/04; F02M 37/14; F04B 53/92;  
F04B 1/005; F04D 13/06; F04D 29/22;  
F04D 29/046; F04D 29/2266  
See application file for complete search history.

(56) **References Cited**

**U.S. PATENT DOCUMENTS**

D354,495 S *	1/1995	Tojo	.....	D15/7
D536,005 S *	1/2007	Reverberi	.....	D15/5
D538,824 S *	3/2007	Tojo	.....	D15/7
D591,311 S *	4/2009	Tojo	.....	D15/7
D613,765 S *	4/2010	Reverberi	.....	D15/5
D613,766 S *	4/2010	Reverberi	.....	D15/5
D616,467 S *	5/2010	Reverberi	.....	D15/5
D633,101 S *	2/2011	Magri	.....	D15/7
D633,102 S *	2/2011	Magri	.....	D15/7
D633,103 S *	2/2011	Magri	.....	D15/7
D633,104 S *	2/2011	Magri	.....	D15/7
D633,105 S *	2/2011	Magri	.....	D15/7
D633,406 S *	3/2011	Magri	.....	D15/7
D670,312 S *	11/2012	Alexander	.....	D15/7

D688,273 S *	8/2013	Magri	.....	D15/7
D691,638 S *	10/2013	Alexander	.....	D15/7
D692,026 S *	10/2013	Alexander	.....	D15/7
D699,762 S *	2/2014	Alexander	.....	D15/7
D700,211 S *	2/2014	Alexander	.....	D15/7
D702,262 S *	4/2014	Magri	.....	D15/9
D726,225 S *	4/2015	Alexander	.....	D15/7
D726,226 S *	4/2015	Alexander	.....	D15/7
D768,208 S *	10/2016	Paderni	.....	D15/7
D776,720 S *	1/2017	Davalos	.....	D15/7
9,677,548 B2 *	6/2017	Paderni	.....	F04B 1/005
D823,898 S *	7/2018	Alexander	.....	D15/7
D823,900 S *	7/2018	Alexander	.....	D15/7

\* cited by examiner

*Primary Examiner* — Mitchell I. Siegel

(74) *Attorney, Agent, or Firm* — Steven E. Jedlinski;  
Jeffrey T. Placker; Holland & Knight LLP

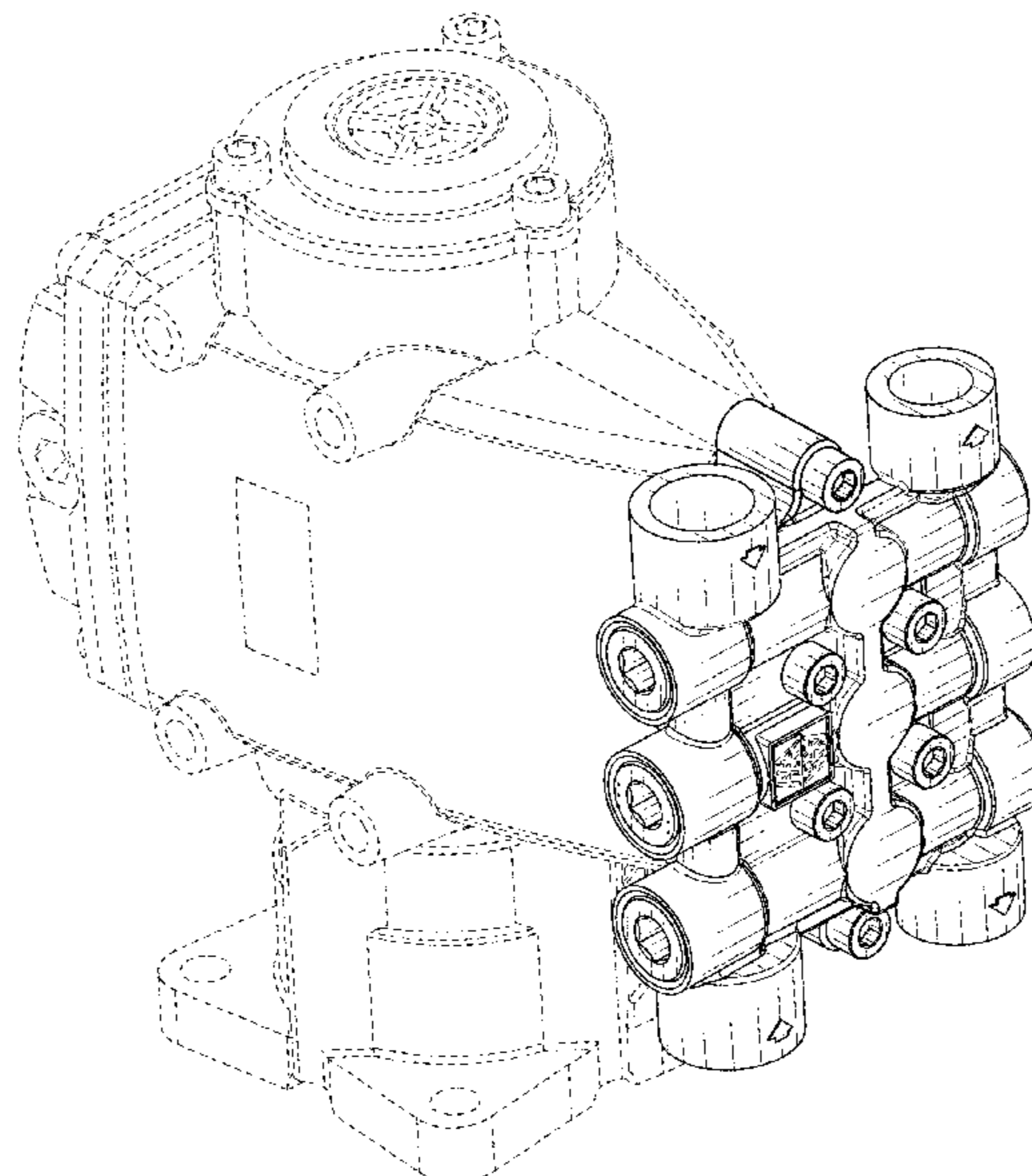
(57) **CLAIM**

The ornamental design for a pump manifold, as shown and described.

**DESCRIPTION**

FIG. 1 is a left-bottom-front perspective view of a pump manifold;  
FIG. 2 is a left-top-front perspective view thereof;  
FIG. 3 is a left-bottom-rear perspective view thereof;  
FIG. 4 is a top-right-front perspective view thereof;  
FIG. 5 is a right-bottom-rear perspective view thereof;  
FIG. 6 is a front elevation view thereof;  
FIG. 7 is a rear elevation view thereof;  
FIG. 8 is a bottom plan view thereof;  
FIG. 9 is top plan view thereof;  
FIG. 10 is a left elevation view thereof; and,  
FIG. 11 is a right plan view thereof.  
The broken lines are included for the purpose of illustrating portions of the pump manifold that form no part of the claimed design.

**1 Claim, 11 Drawing Sheets**



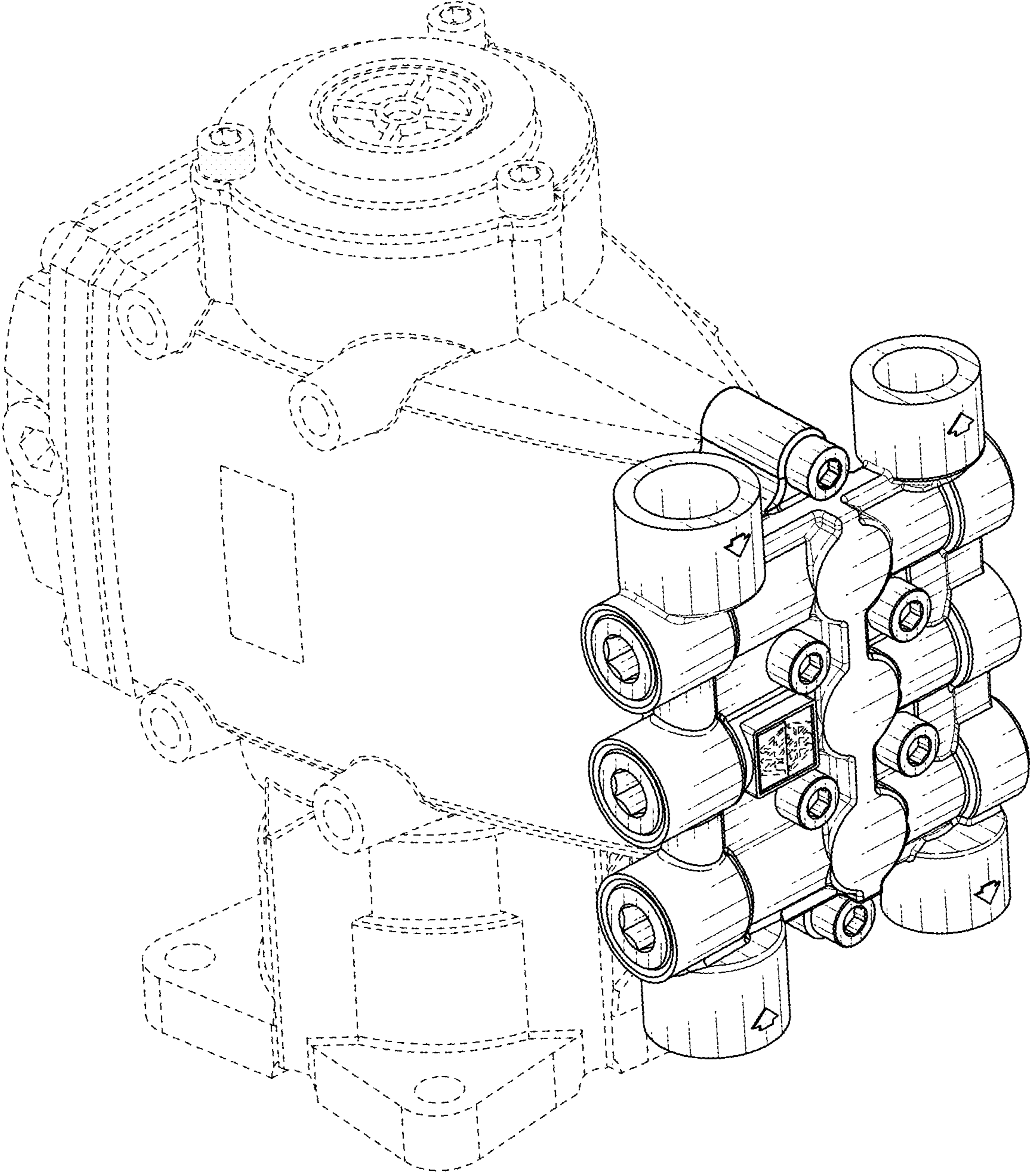


FIG. 1

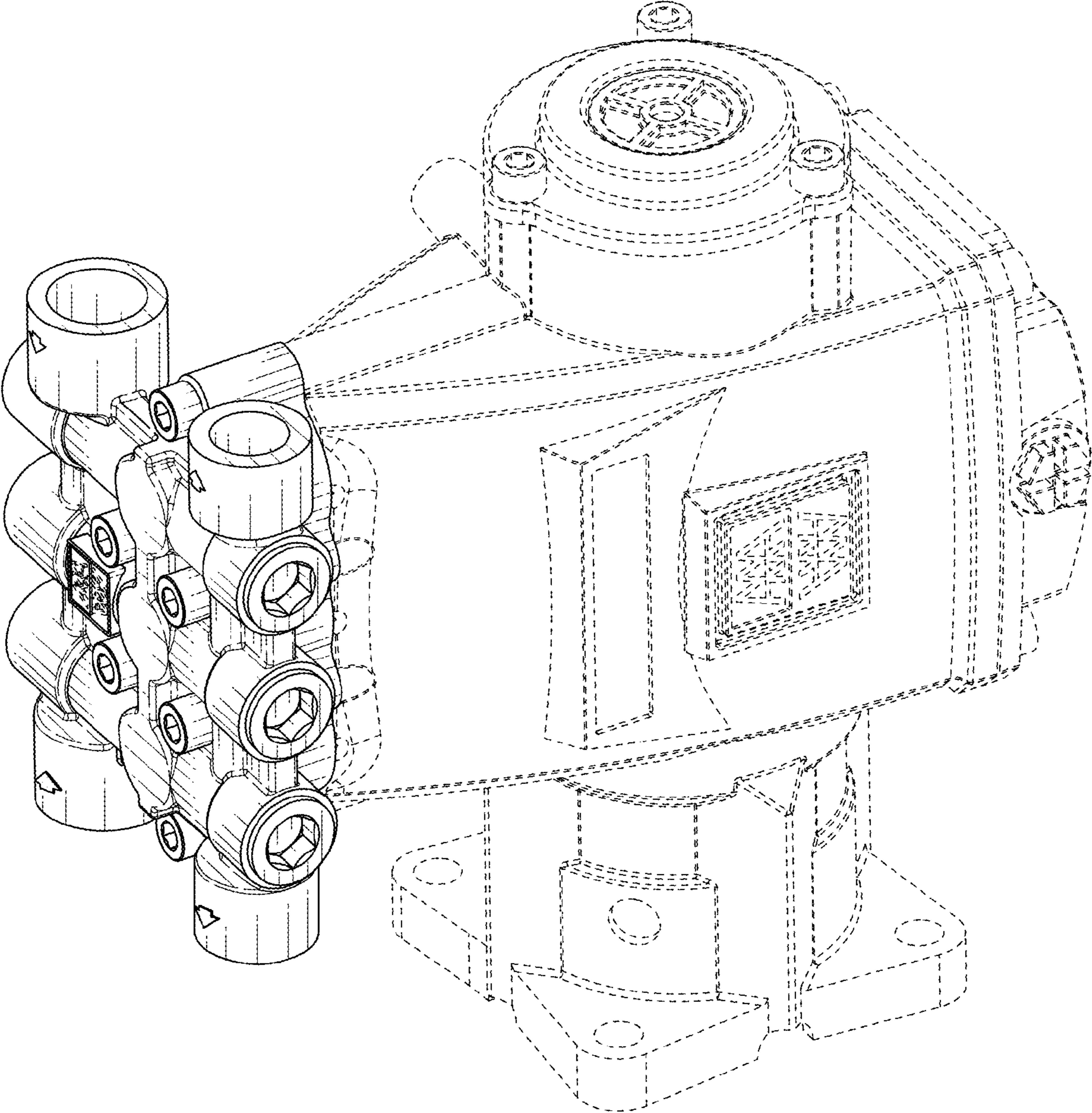


FIG. 2

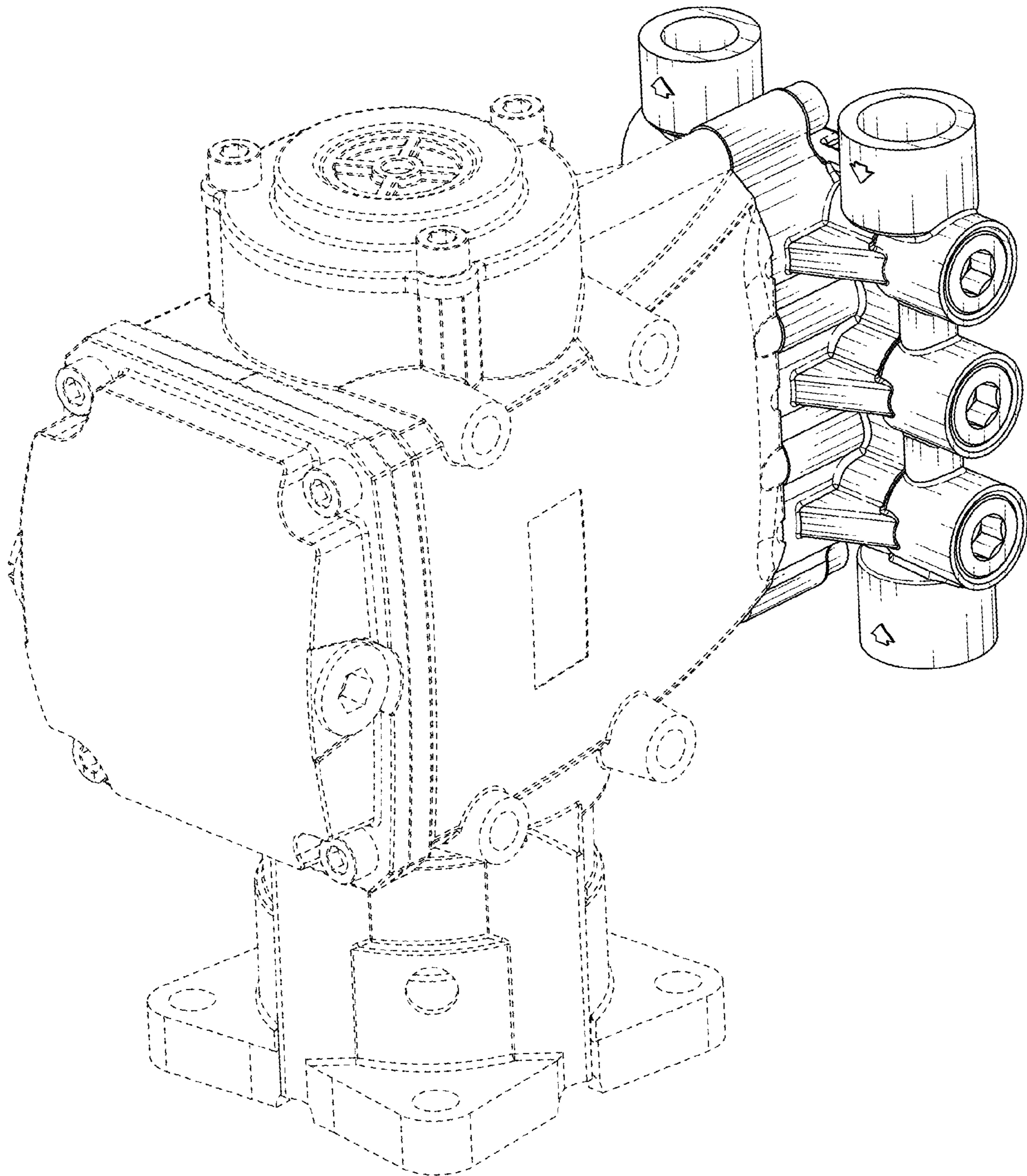


FIG. 3

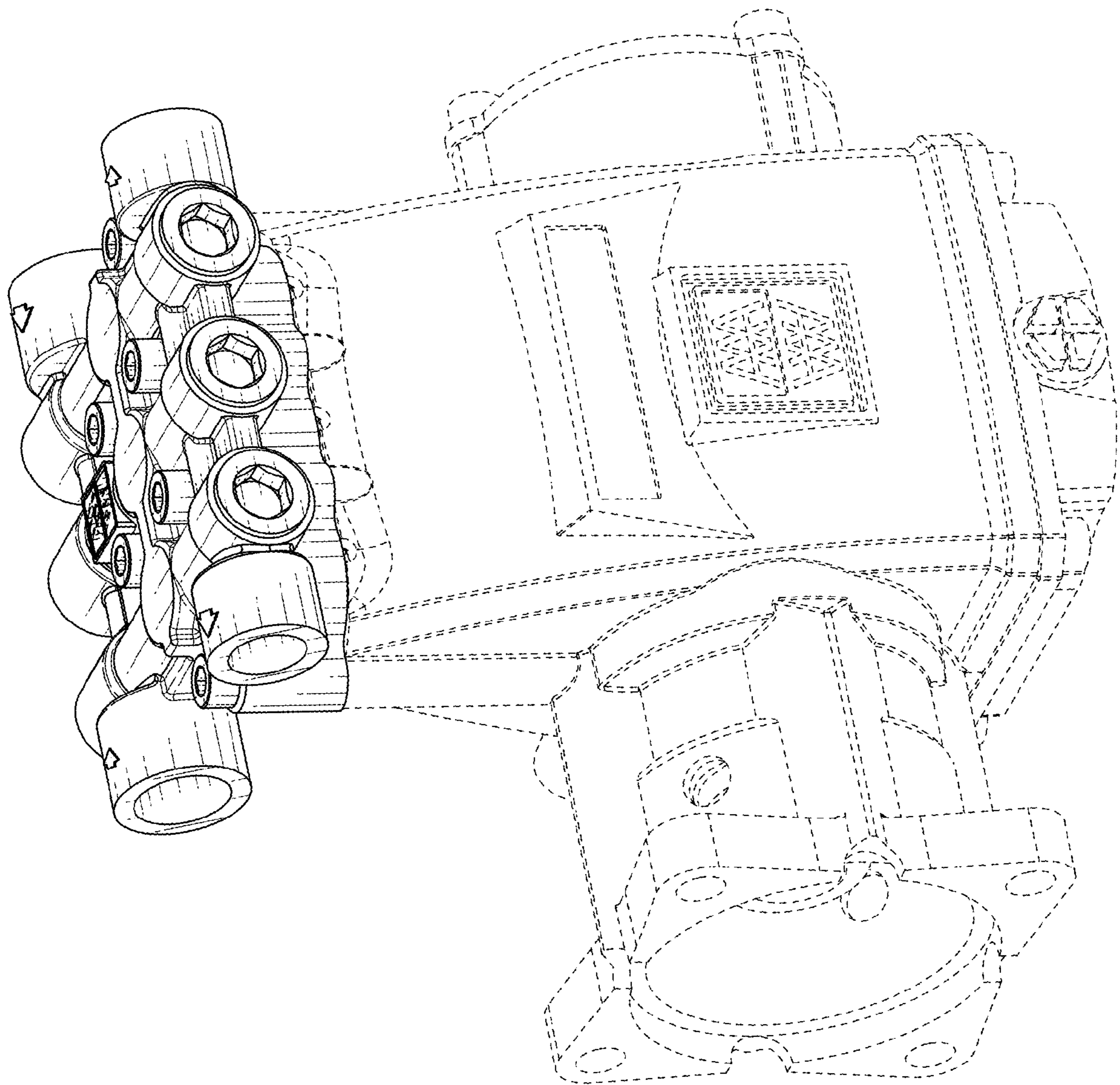


FIG. 4

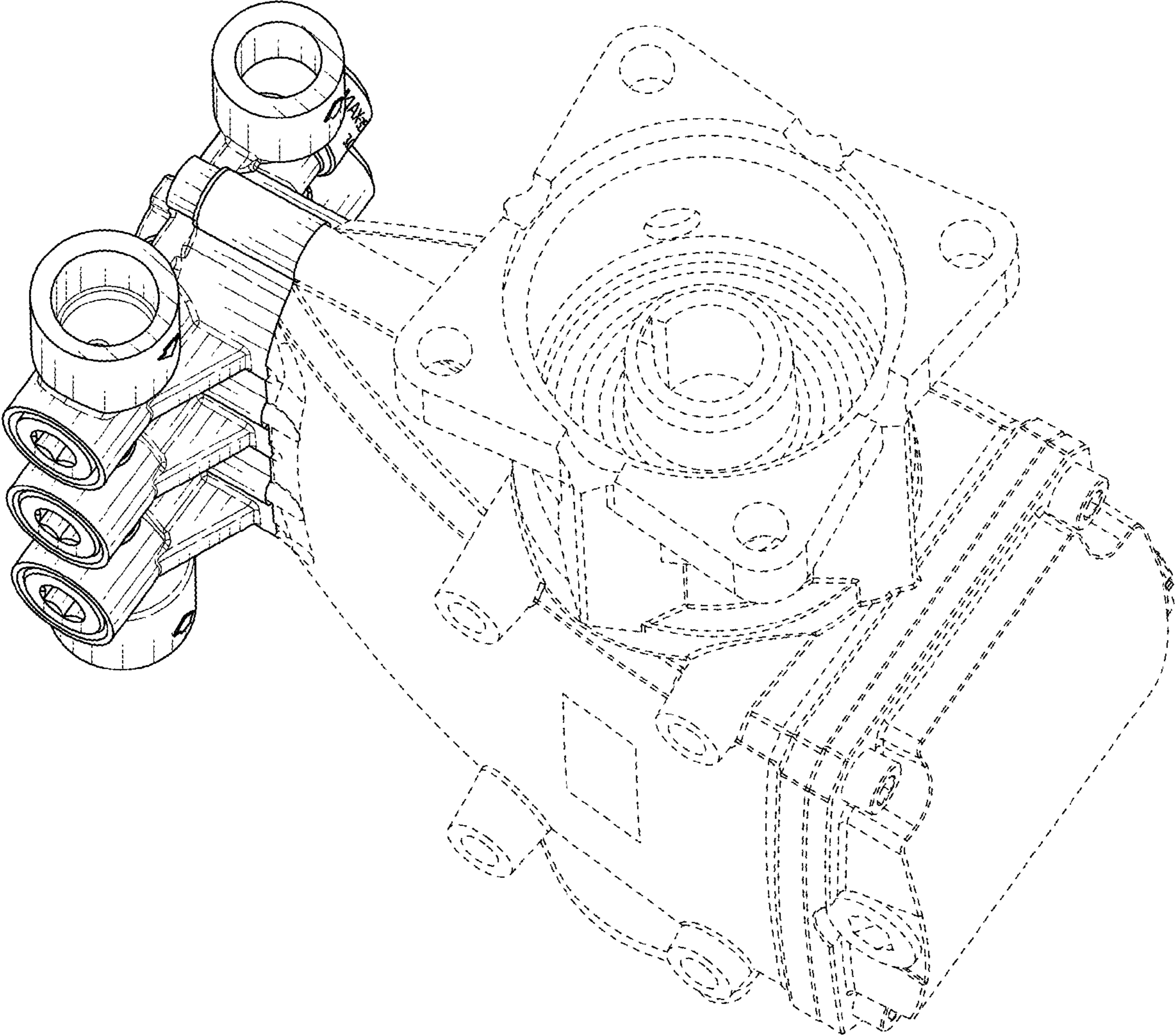


FIG. 5

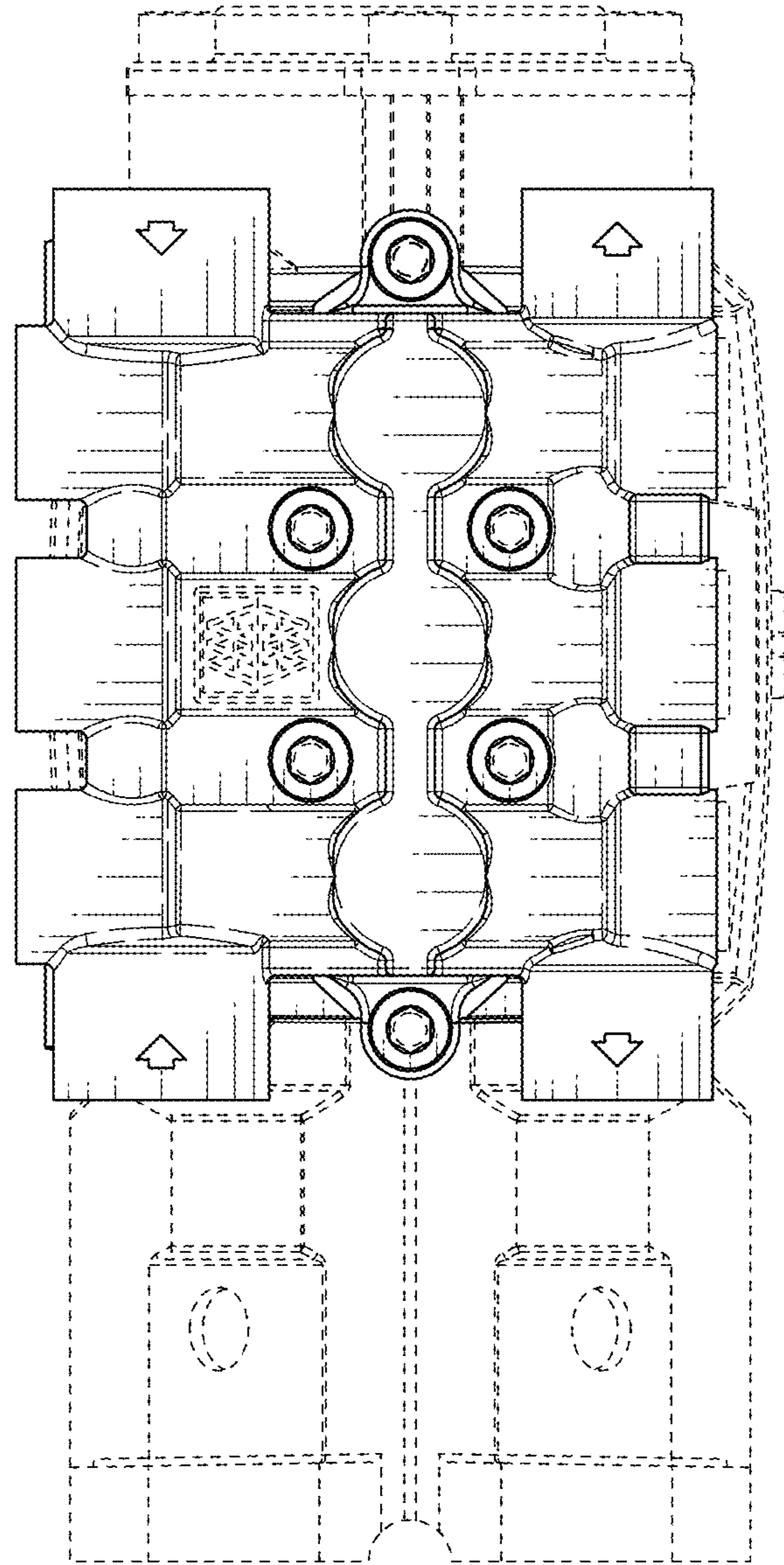


FIG. 6

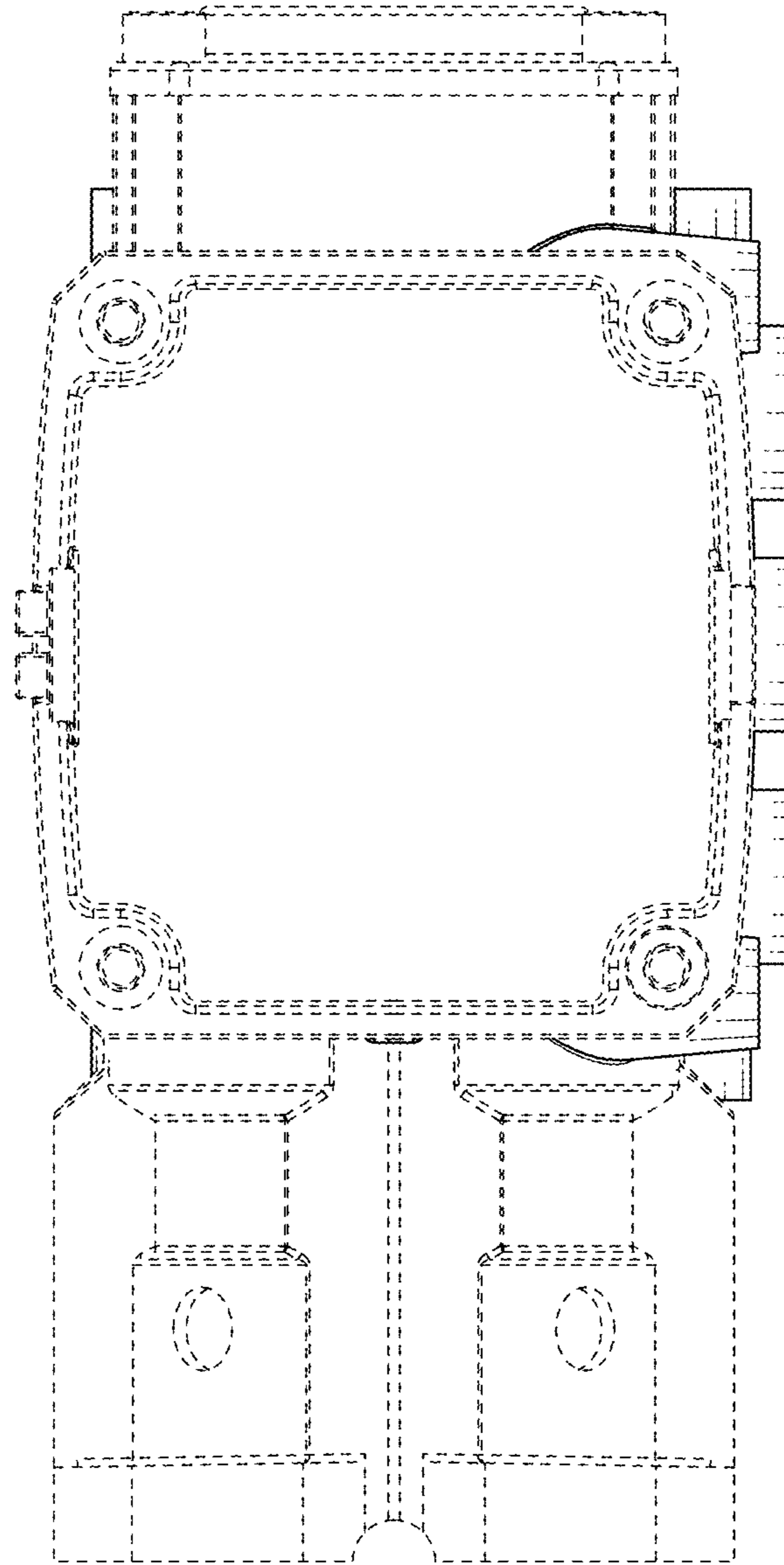


FIG. 7



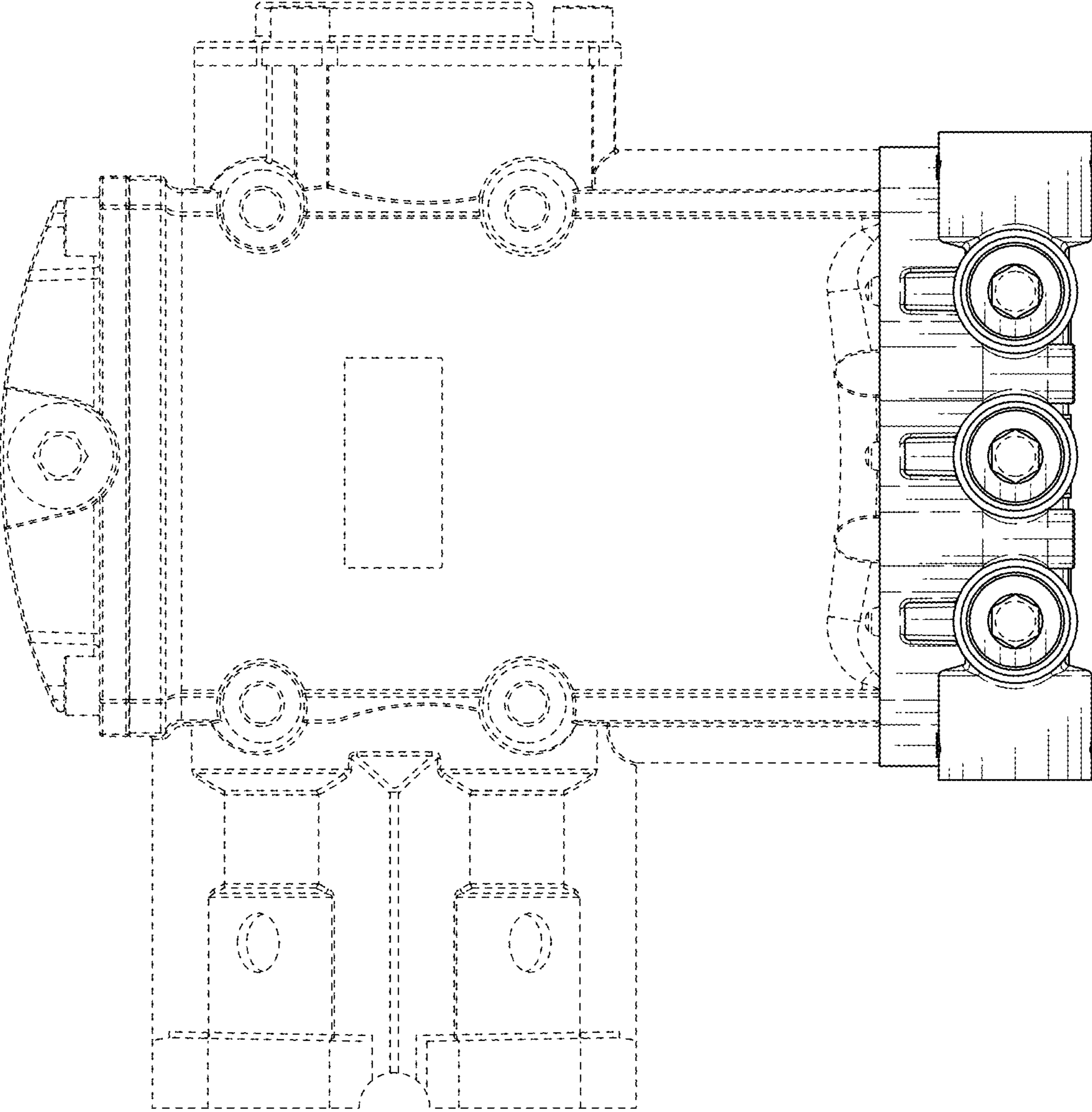


FIG. 8

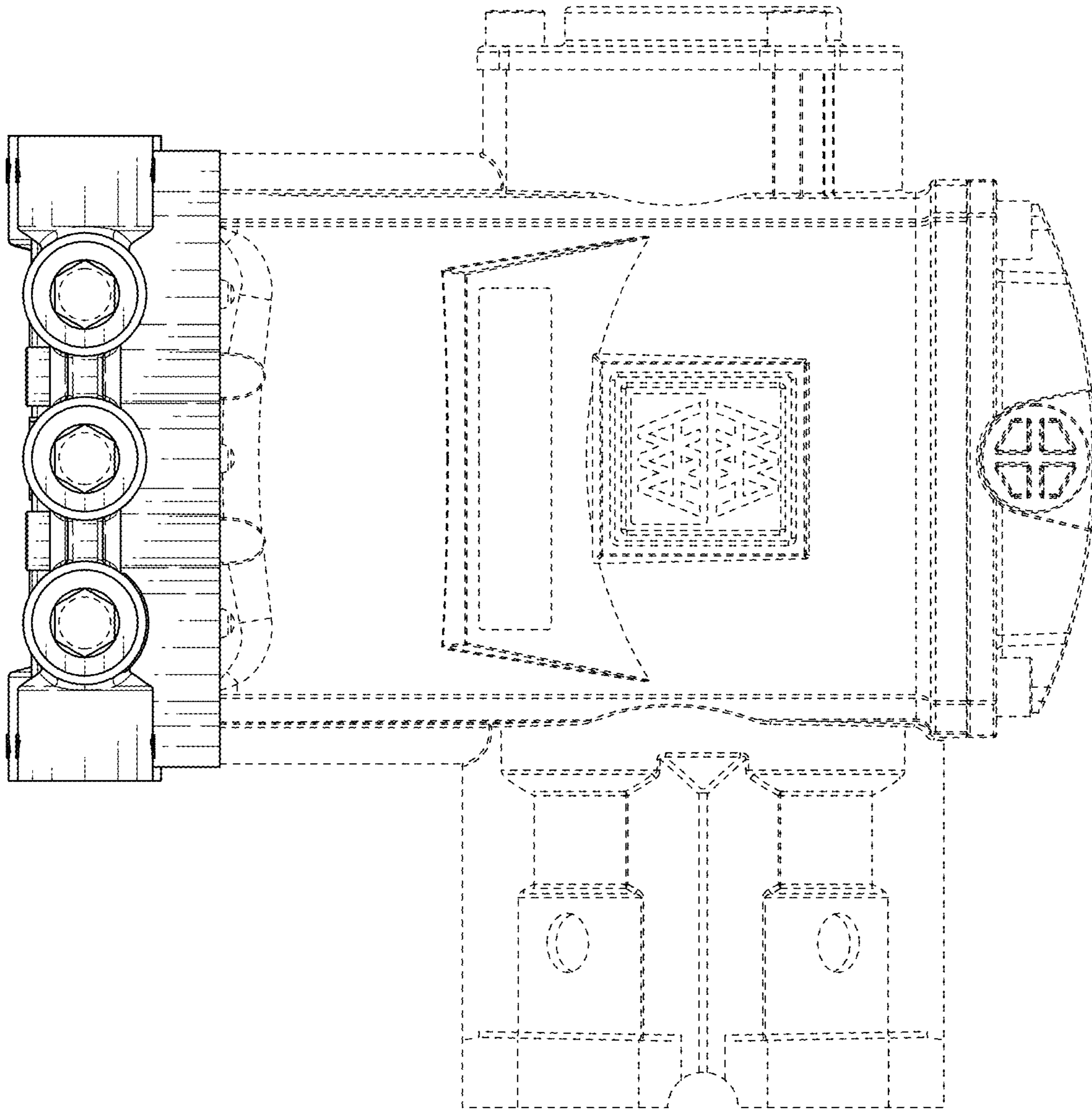


FIG. 9

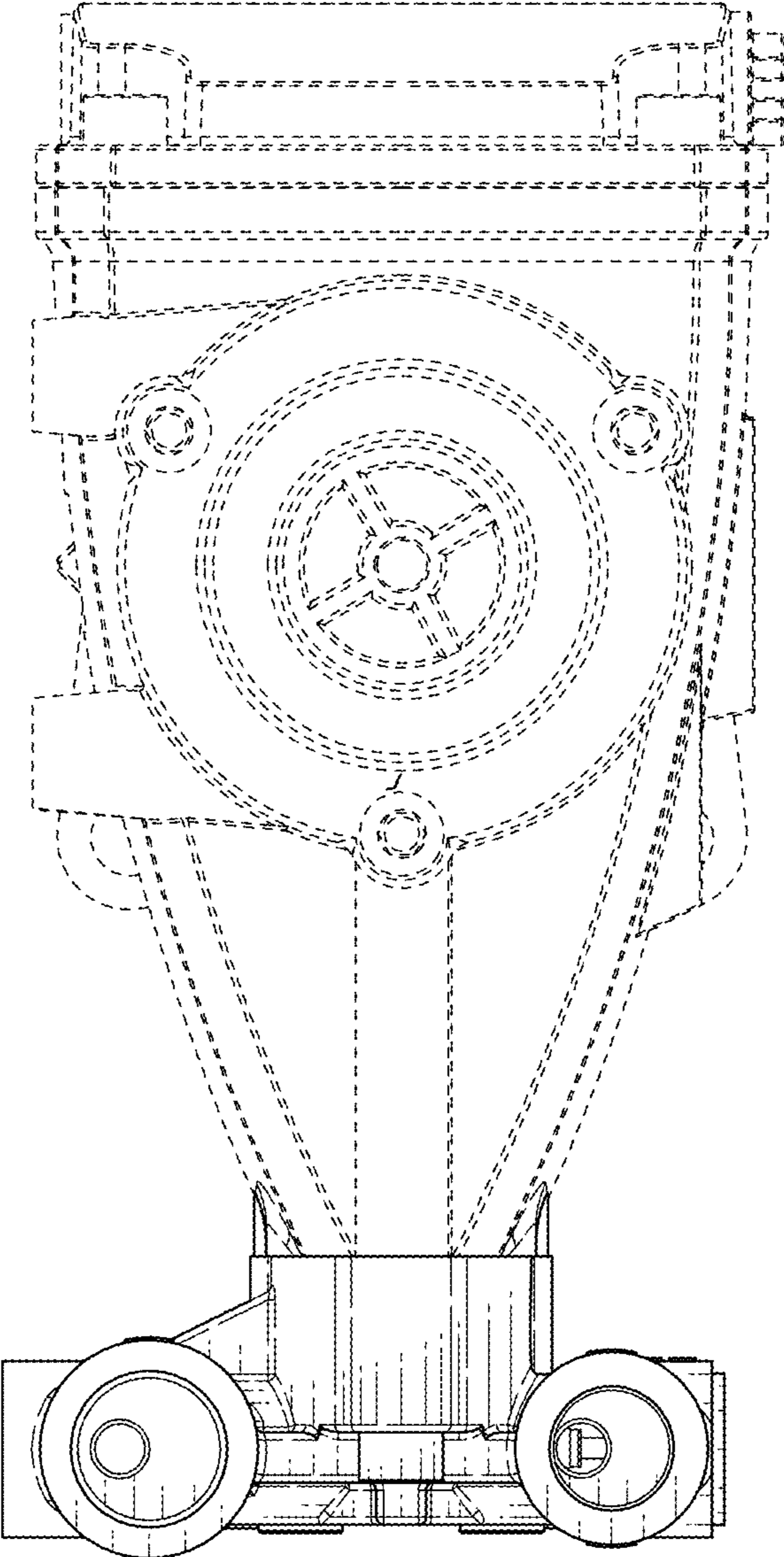


FIG. 10

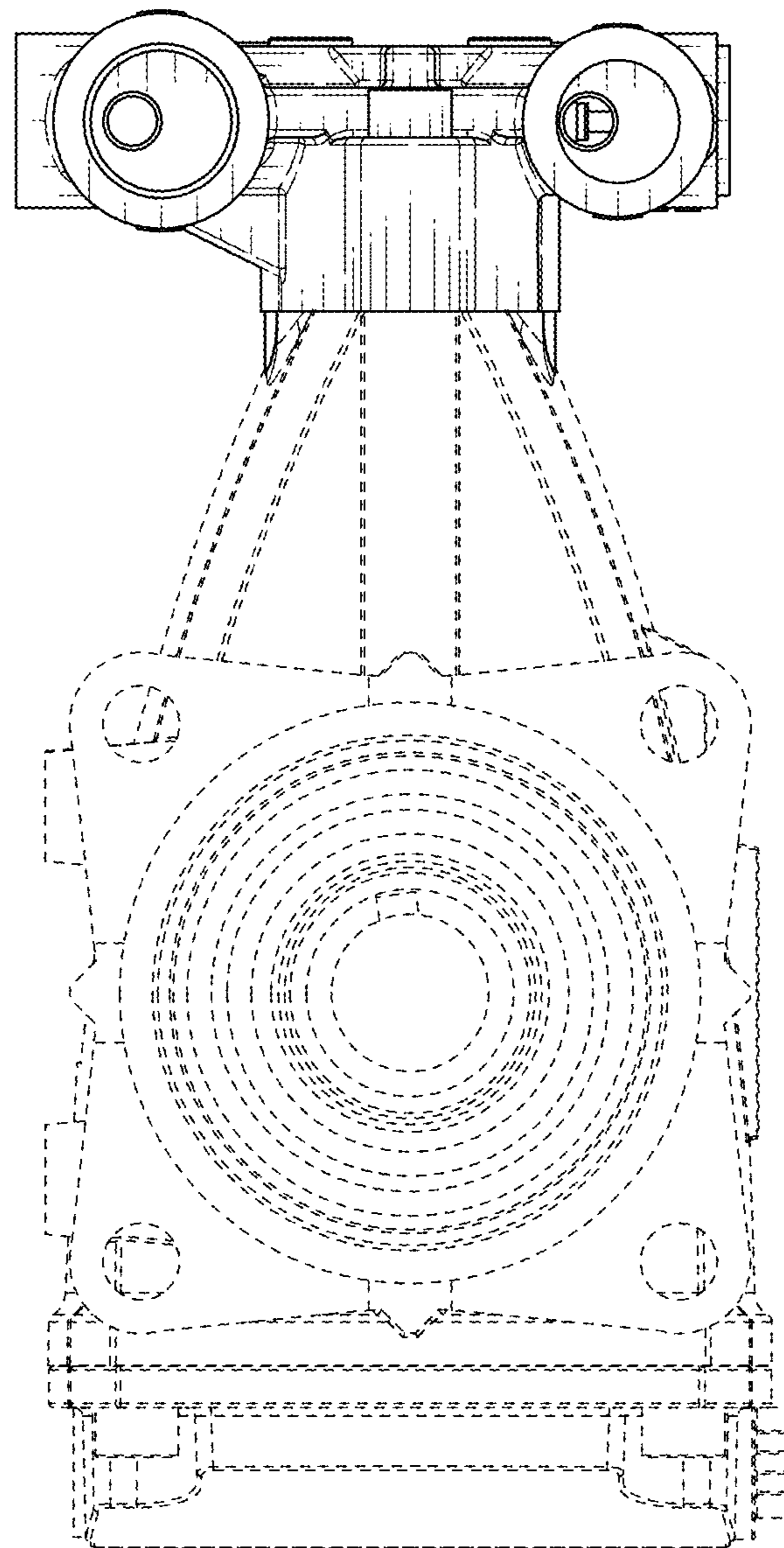


FIG. 11