



US00D879839S

(12) **United States Design Patent**
Alexander

(10) **Patent No.:** **US D879,839 S**

(45) **Date of Patent:** **** Mar. 31, 2020**

(54) **PUMP**

(71) Applicant: **FNA Group, Inc.**, Pleasant Prairie, WI
(US)

(72) Inventor: **Gus Alexander**, Inverness, IL (US)

(73) Assignee: **FNA Group, Inc.**, Pleasant Prairie, WI
(US)

(**) Term: **15 Years**

(21) Appl. No.: **29/668,165**

(22) Filed: **Oct. 29, 2018**

(51) **LOC (12) Cl.** **15-02**

(52) **U.S. Cl.**
USPC **D15/7**

(58) **Field of Classification Search**
USPC D15/7-9; D23/231, 232, 225
CPC F02M 37/04; F02M 37/14; F04B 53/92;
F04B 1/005; F04D 13/06; F04D 29/22;
F04D 29/046; F04D 29/2266
See application file for complete search history.

(56) **References Cited**

U.S. PATENT DOCUMENTS

| | | | | |
|--------------|--------|-----------|-------|-------|
| D354,495 S * | 1/1995 | Tojo | | D15/7 |
| D536,005 S * | 1/2007 | Reverberi | | D15/5 |
| D538,824 S * | 3/2007 | Tojo | | D15/7 |
| D591,311 S * | 4/2009 | Tojo | | D15/7 |
| D613,765 S * | 4/2010 | Reverberi | | D15/5 |
| D613,766 S * | 4/2010 | Reverberi | | D15/5 |
| D616,467 S * | 5/2010 | Reverberi | | D15/5 |
| D633,101 S * | 2/2011 | Magri | | D15/7 |
| D633,102 S * | 2/2011 | Magri | | D15/7 |
| D633,103 S * | 2/2011 | Magri | | D15/7 |
| D633,104 S * | 2/2011 | Magri | | D15/7 |
| D633,105 S * | 2/2011 | Magri | | D15/7 |

| | | | | |
|----------------|---------|-----------|-------|------------|
| D633,406 S * | 3/2011 | Magri | | D15/7 |
| D670,312 S * | 11/2012 | Alexander | | D15/7 |
| D688,273 S * | 8/2013 | Magri | | D15/7 |
| D691,638 S * | 10/2013 | Alexander | | D15/7 |
| D692,026 S * | 10/2013 | Alexander | | D15/7 |
| D699,762 S * | 2/2014 | Alexander | | D15/7 |
| D700,211 S * | 2/2014 | Alexander | | D15/7 |
| D702,262 S * | 4/2014 | Magri | | D15/9 |
| D726,225 S * | 4/2015 | Alexander | | D15/7 |
| D726,226 S * | 4/2015 | Alexander | | D15/7 |
| D768,208 S * | 10/2016 | Paderni | | D15/7 |
| D776,720 S * | 1/2017 | Davalos | | D15/7 |
| 9,677,548 B2 * | 6/2017 | Paderni | | F04B 1/005 |
| D823,898 S * | 7/2018 | Alexander | | D15/7 |
| D823,900 S * | 7/2018 | Alexander | | D15/7 |

* cited by examiner

Primary Examiner — Mitchell I. Siegel

(74) *Attorney, Agent, or Firm* — Steven E. Jedlinski;
Jeffrey T. Placker; Holland & Knight LLP

(57) **CLAIM**

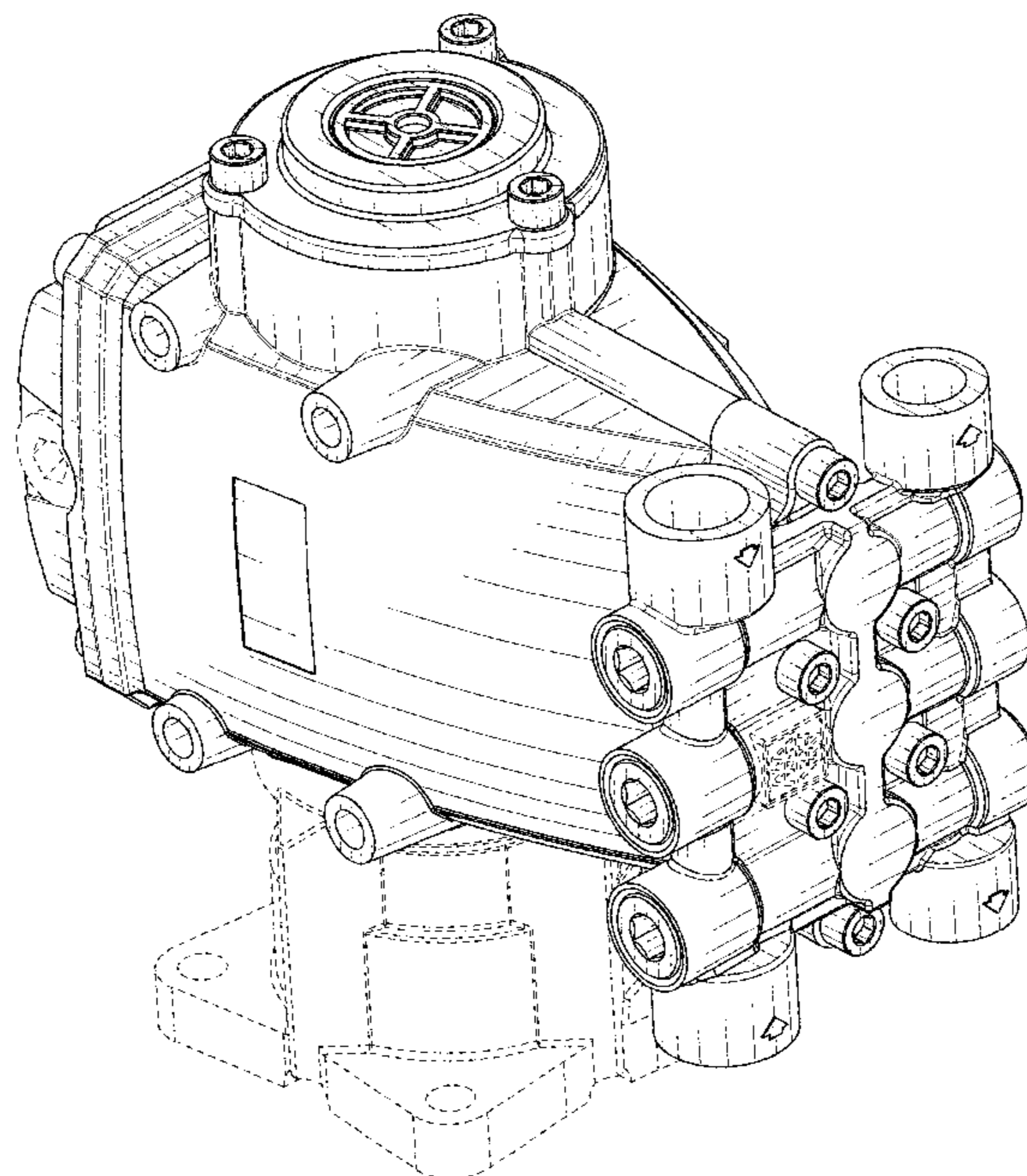
The ornamental design for a pump, as shown and described.

DESCRIPTION

FIG. 1 is a left-bottom-front perspective view of a pump;
FIG. 2 is a left-top-front perspective view thereof;
FIG. 3 is a left-bottom-rear perspective view thereof;
FIG. 4 is a top-right-front perspective view thereof;
FIG. 5 is a right-bottom-rear perspective view thereof;
FIG. 6 is a front elevation view thereof;
FIG. 7 is a rear elevation view thereof;
FIG. 8 is a bottom plan view thereof;
FIG. 9 is top plan view thereof;
FIG. 10 is a left elevation view thereof; and,
FIG. 11 is a right plan view thereof.

The broken lines are included for the purpose of illustrating portions of the pump that form no part of the claimed design.

1 Claim, 11 Drawing Sheets



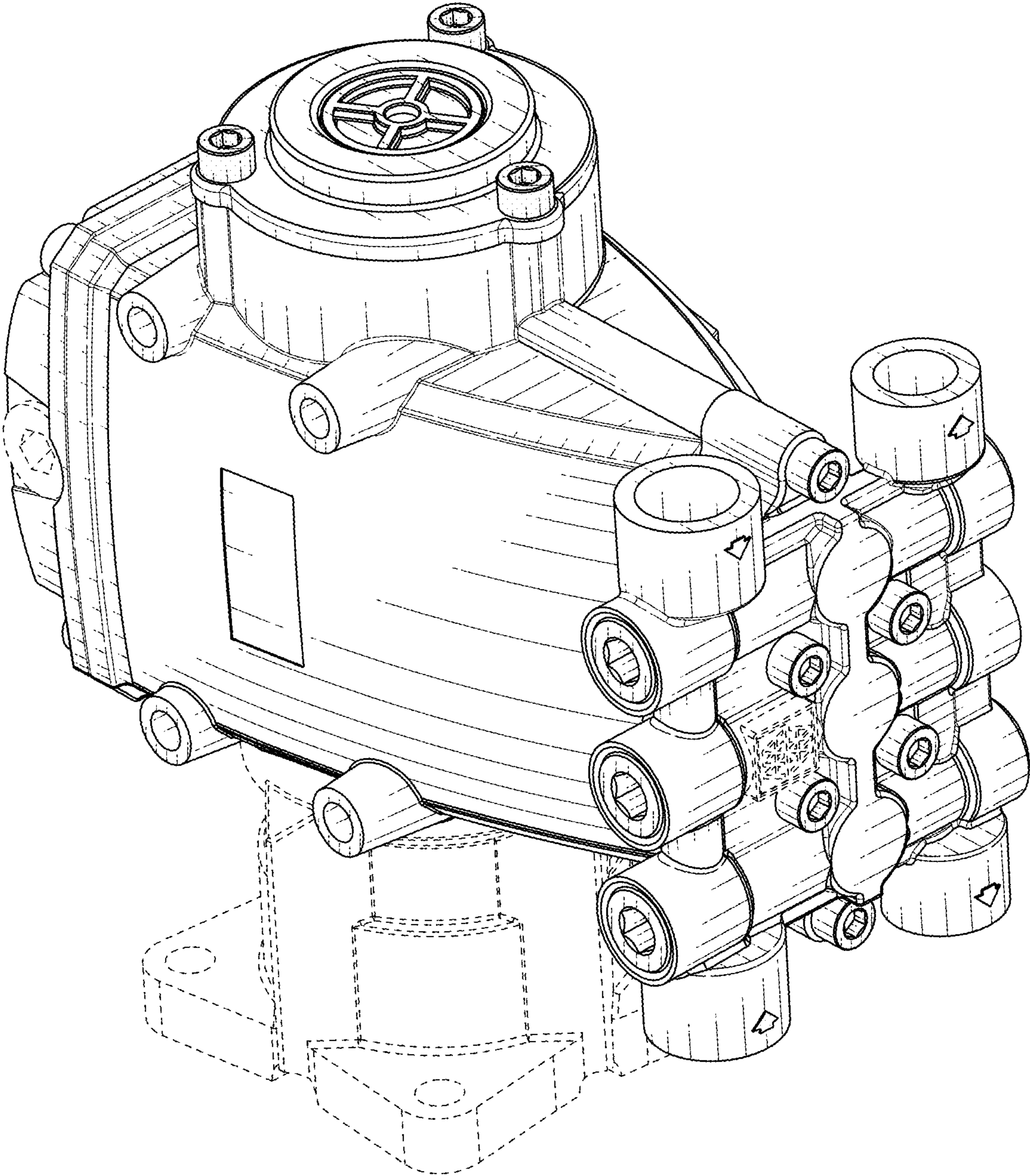


FIG. 1

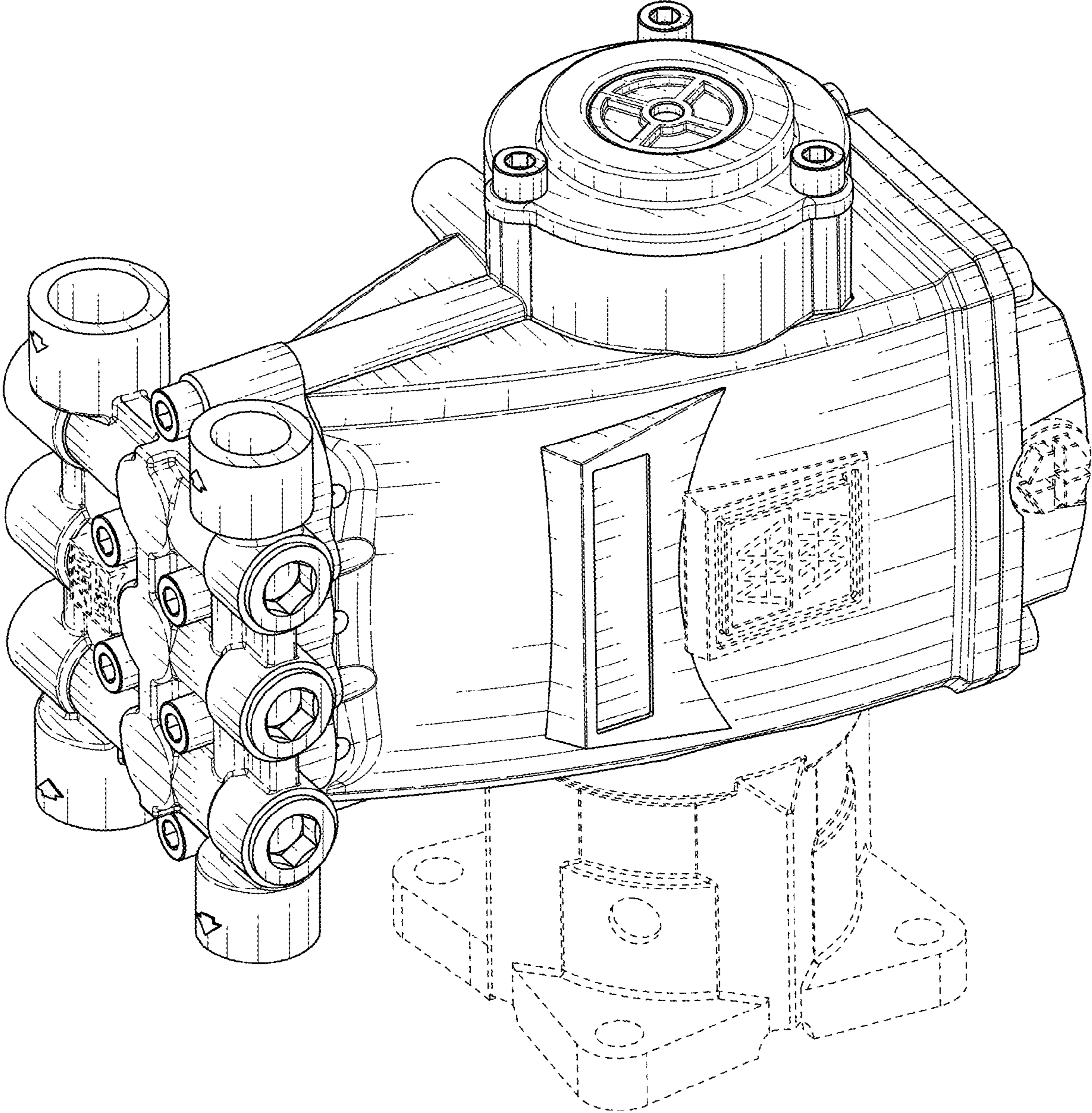


FIG. 2

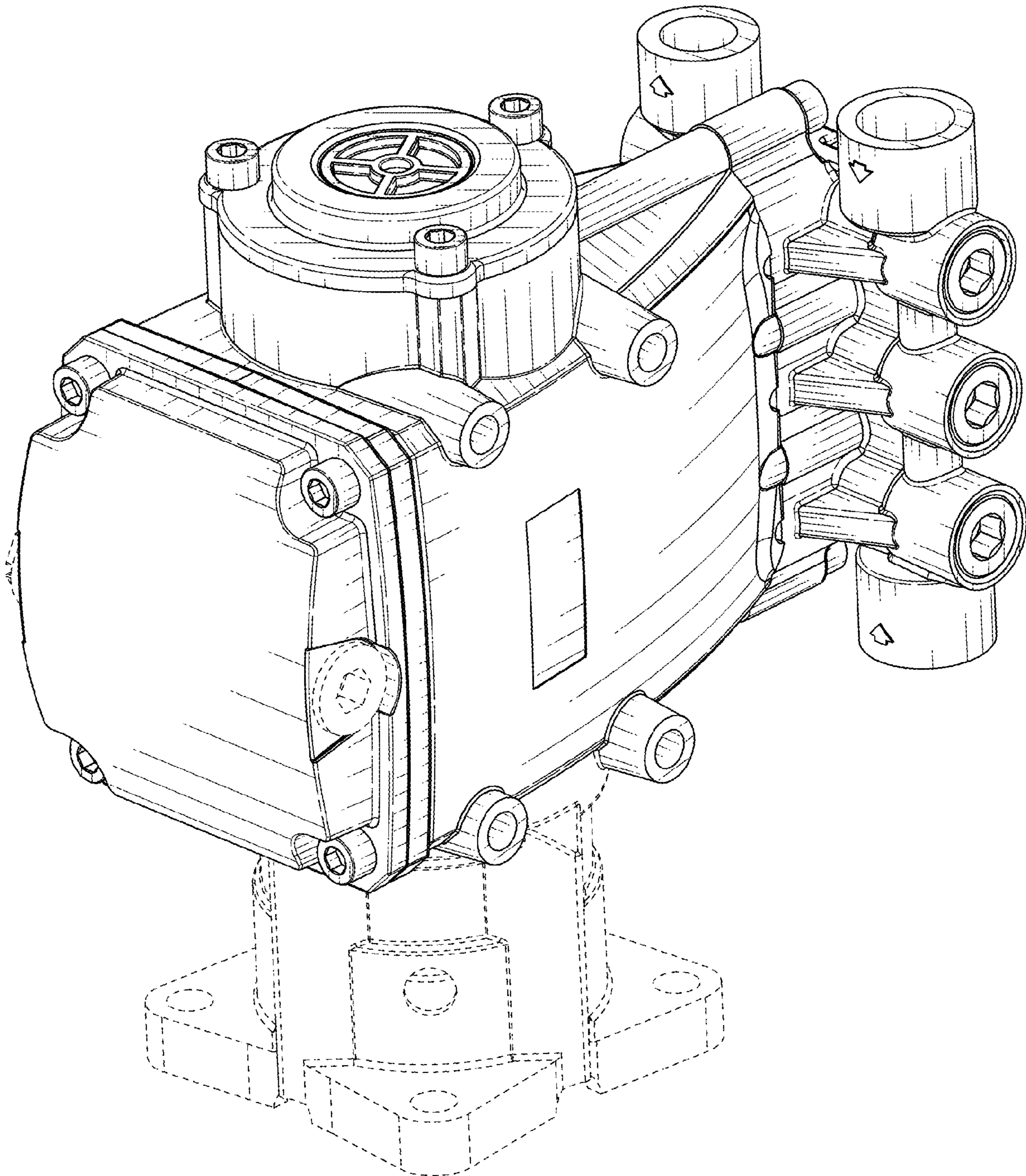


FIG. 3

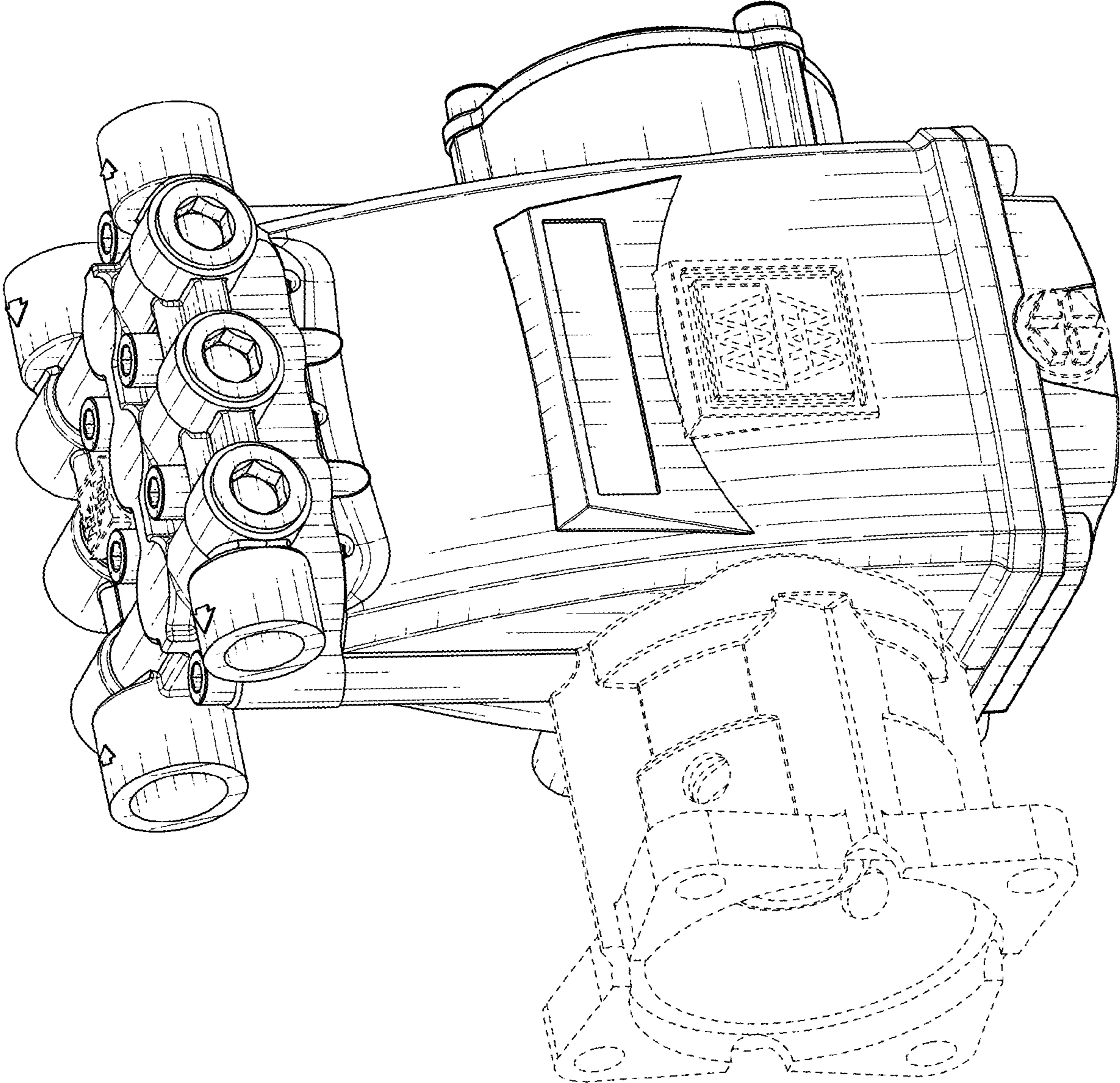


FIG. 4

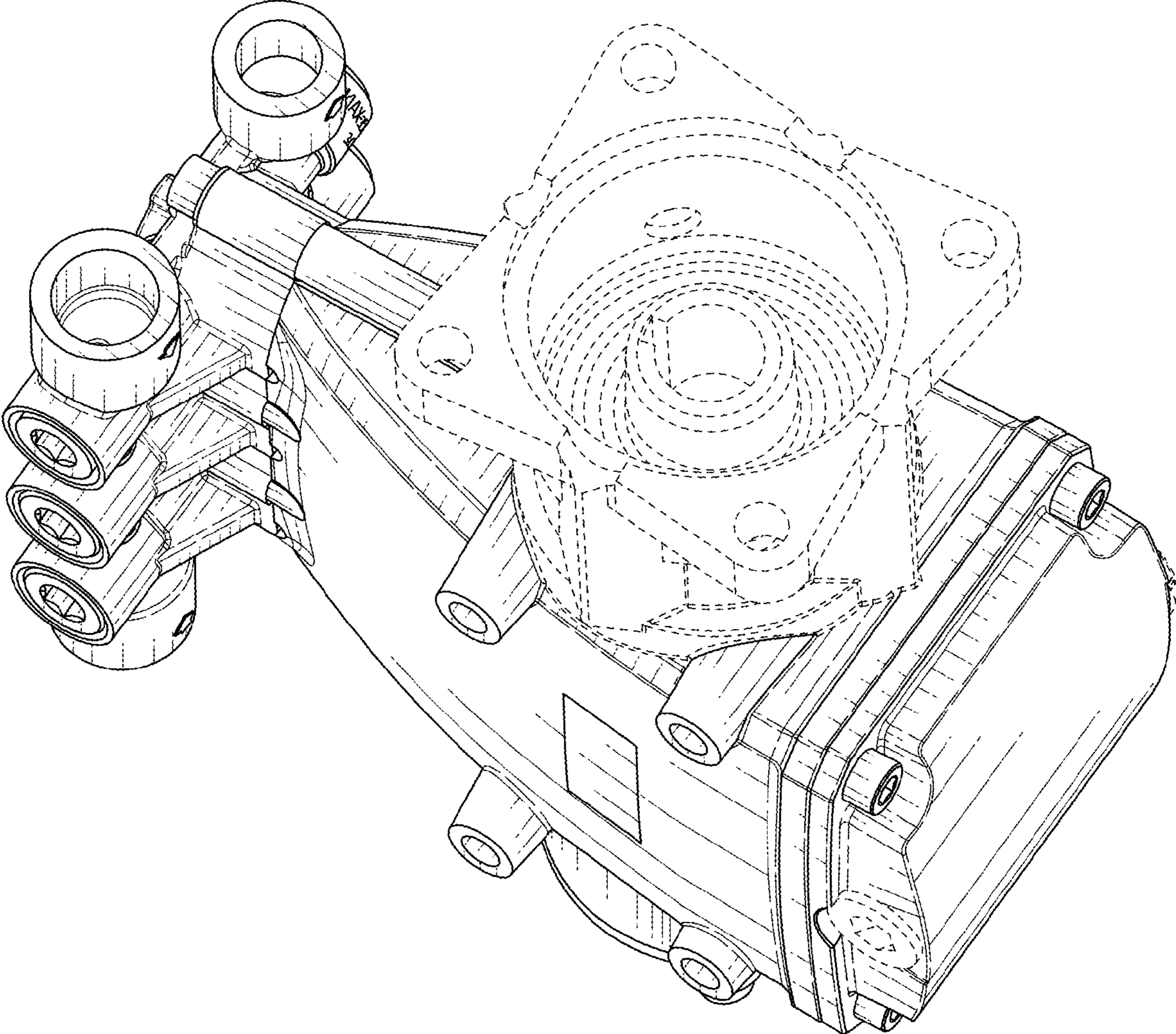


FIG. 5

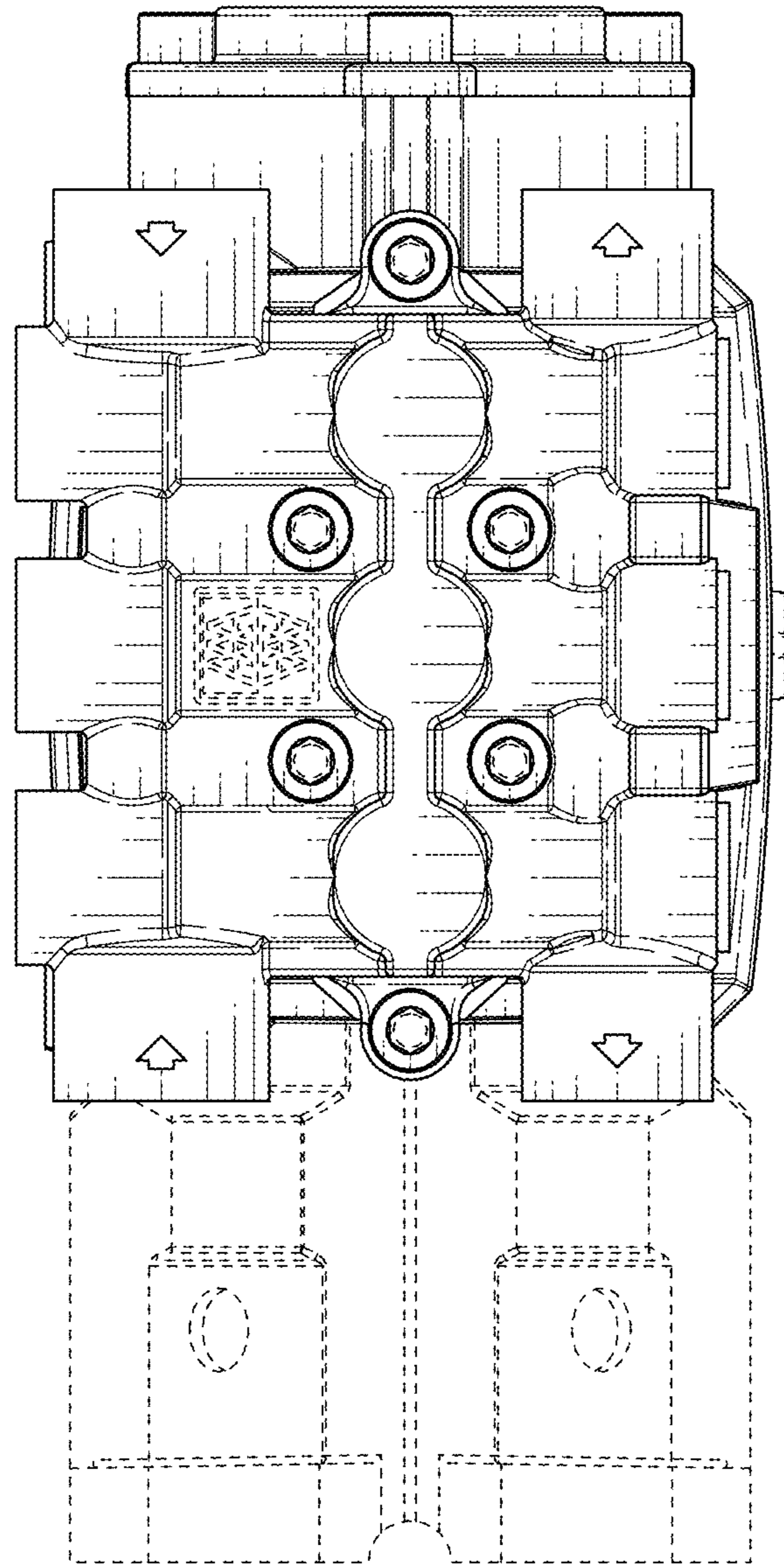


FIG. 6

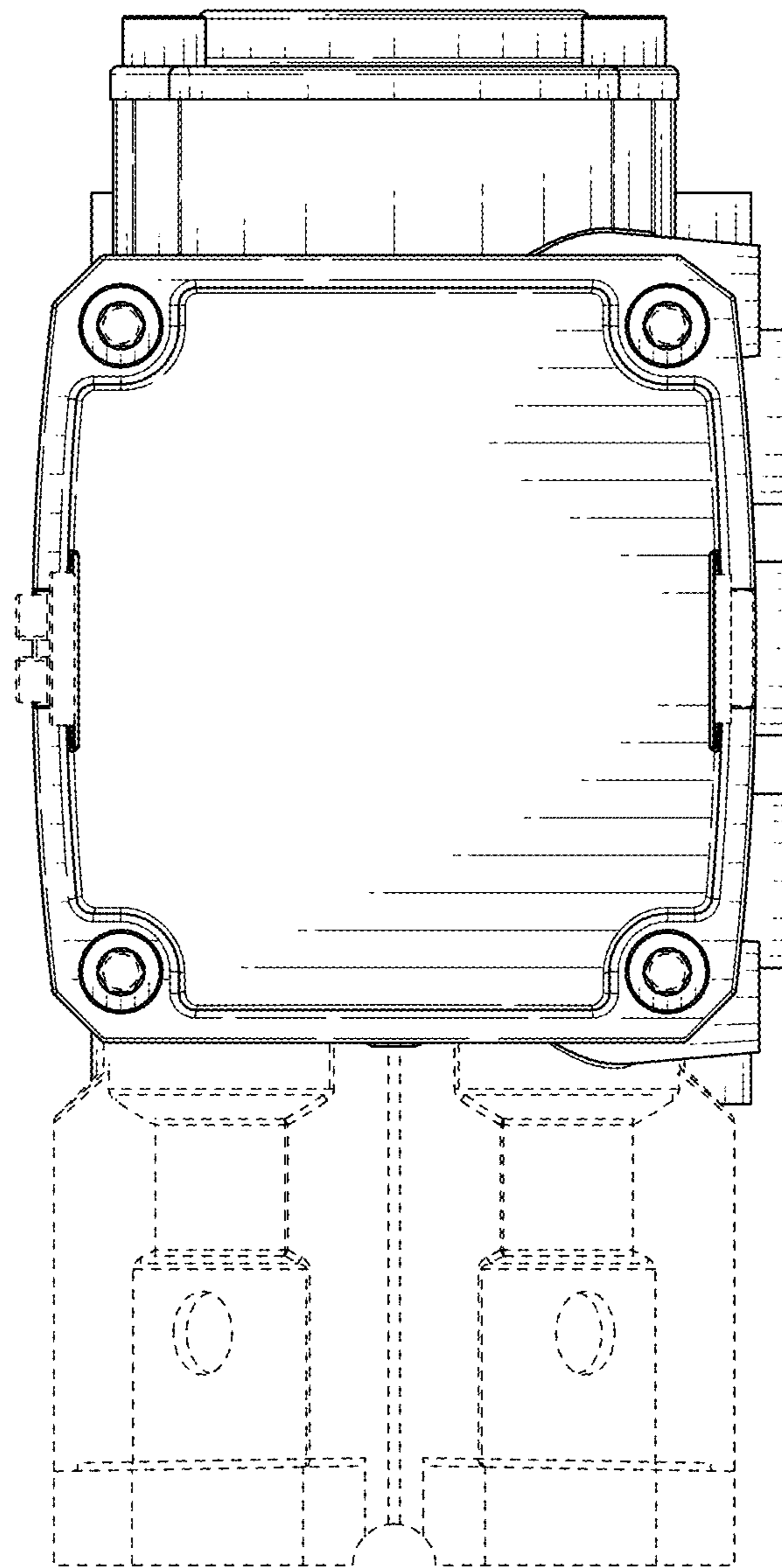


FIG. 7

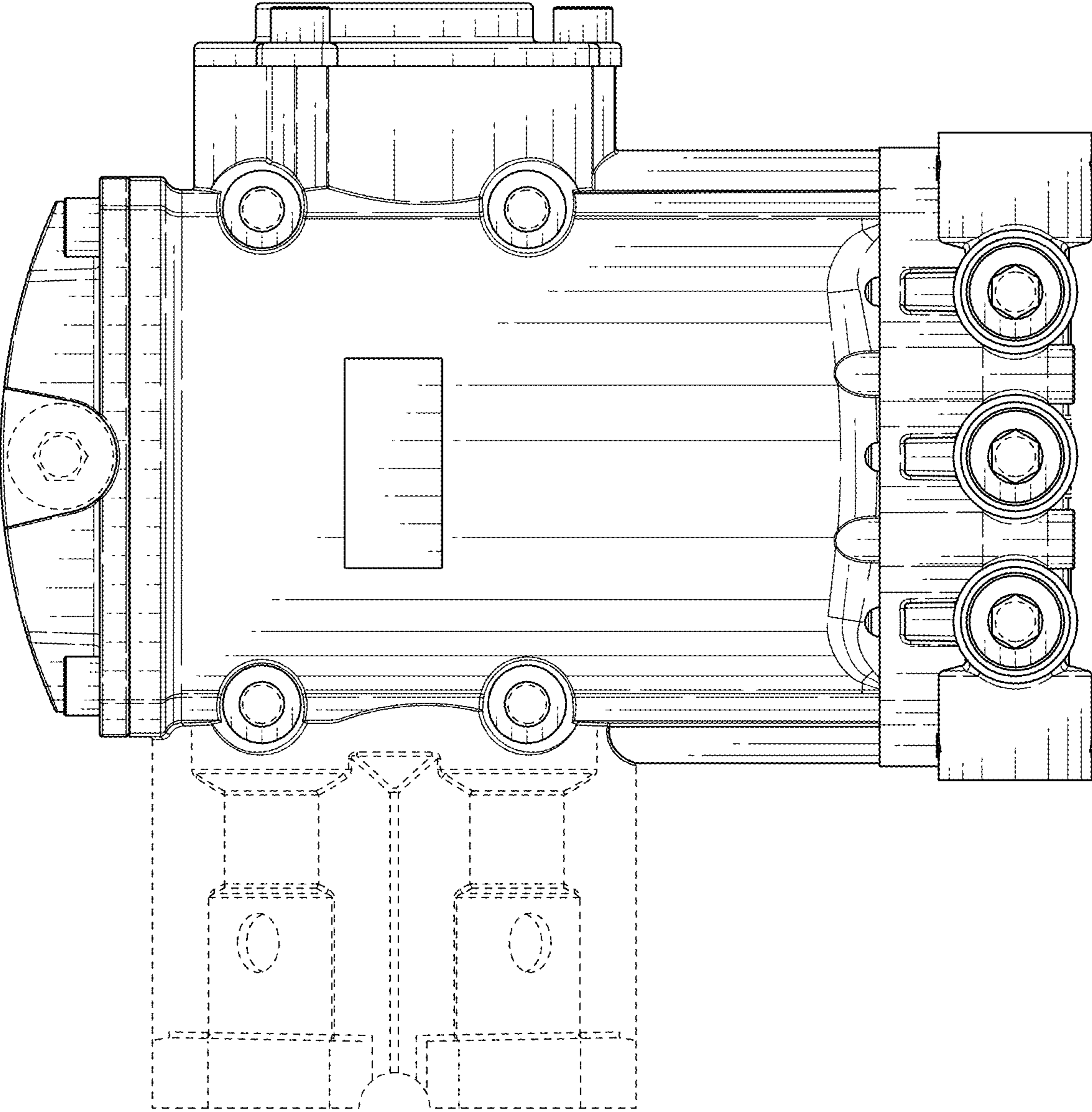


FIG. 8

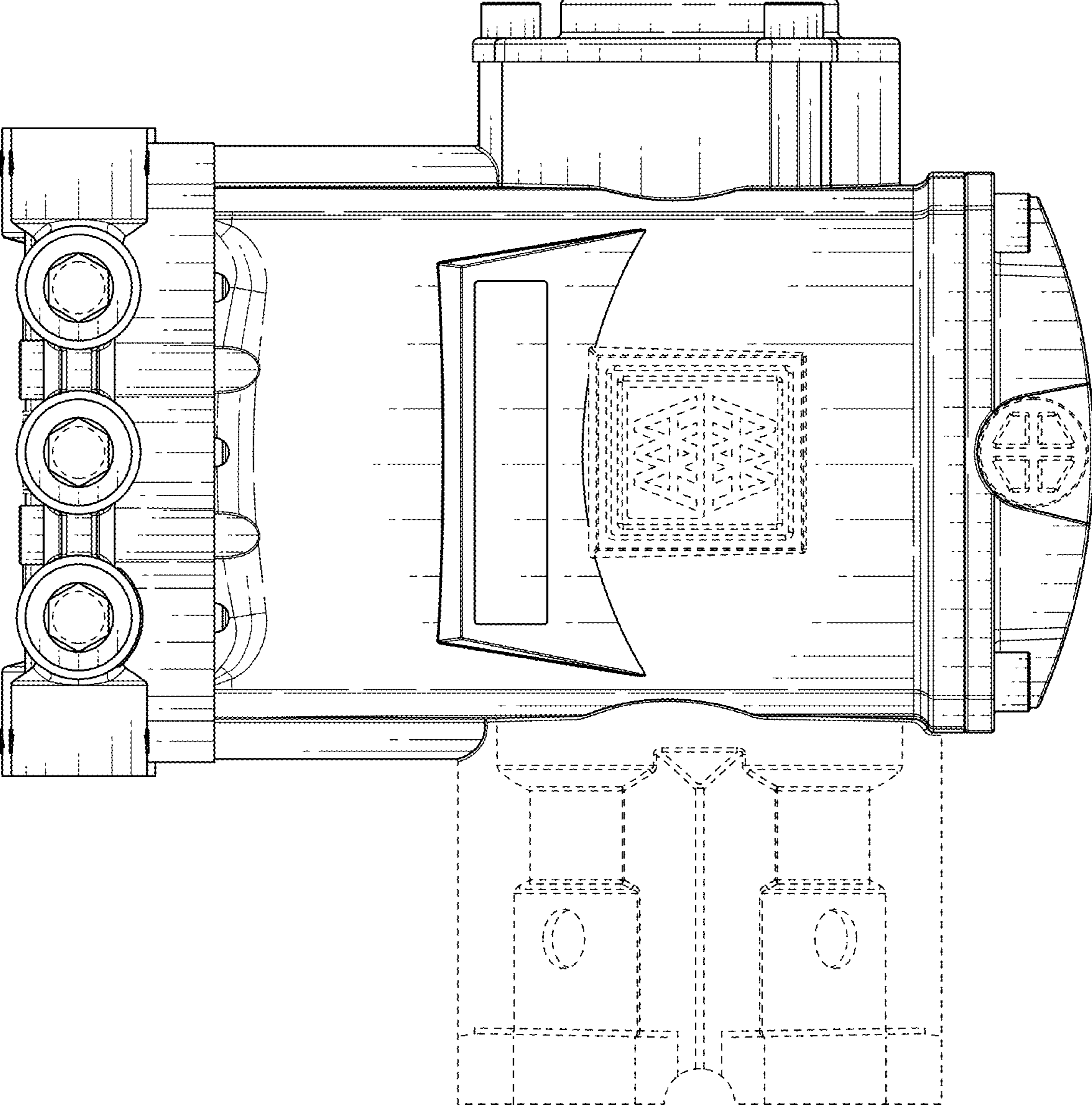


FIG. 9

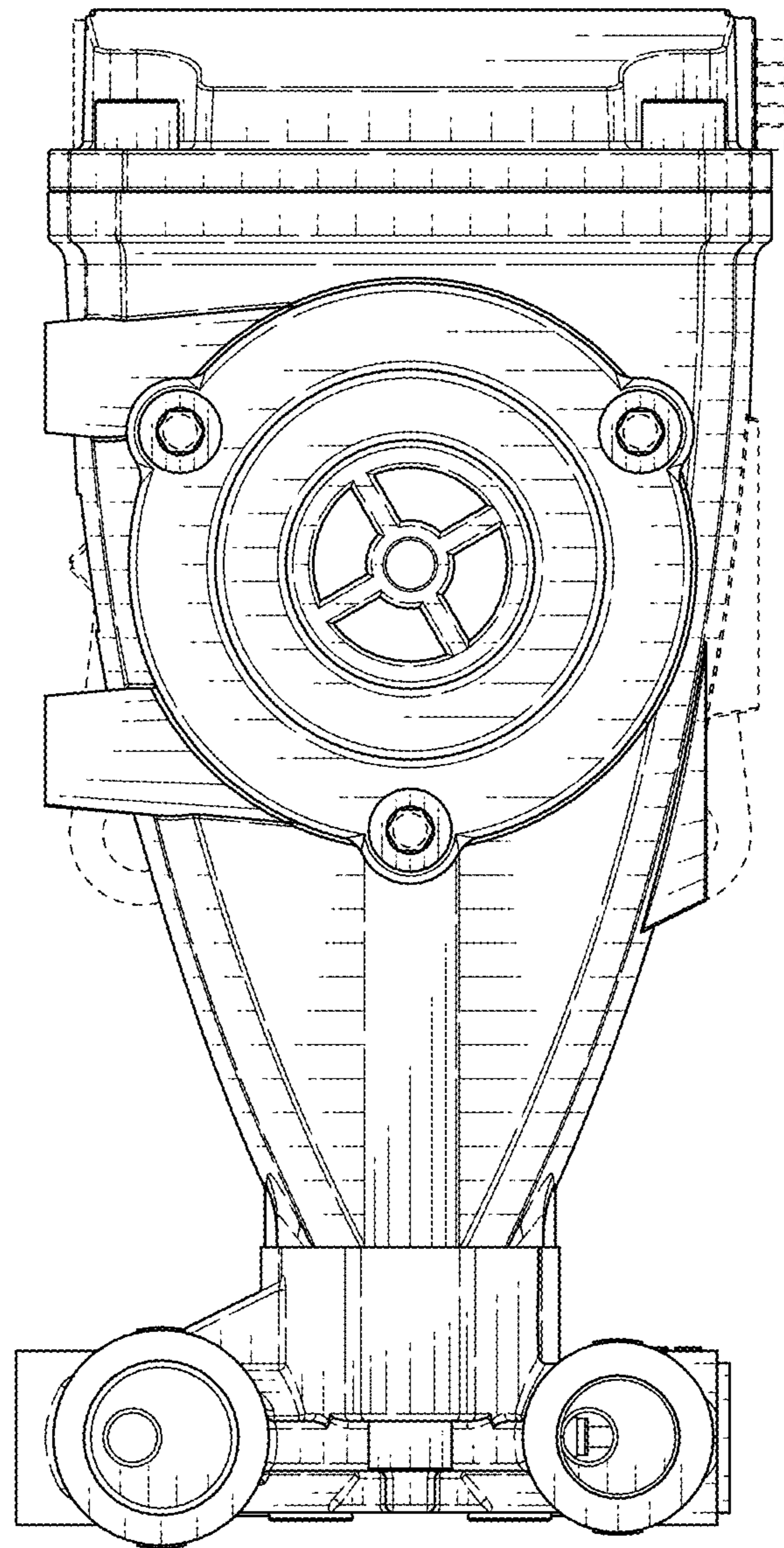


FIG. 10

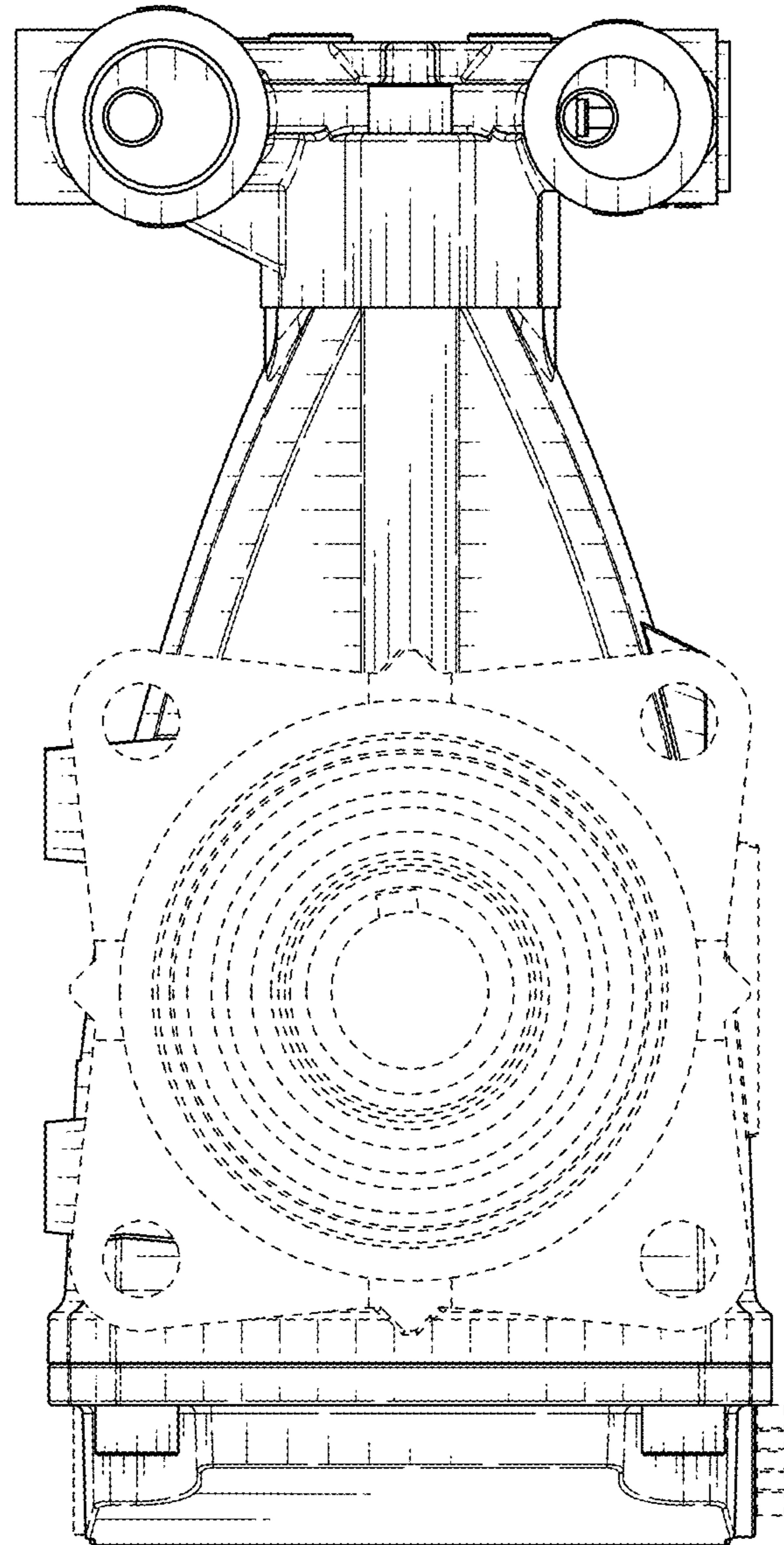


FIG. 11