



US00D879838S

(12) **United States Design Patent**  
**Maw**

(10) **Patent No.:** **US D879,838 S**  
(45) **Date of Patent:** **\*\* Mar. 31, 2020**

- (54) **INFLATING NEEDLE**
- (71) Applicant: **VEVO SPORTS, LLC**, Ogden, UT (US)
- (72) Inventor: **Kerry Maw**, Ogden, UT (US)
- (73) Assignee: **VEVO SPORTS, LLC.**, Ogden, UT (US)
- (\*\*) Term: **15 Years**
- (21) Appl. No.: **29/645,585**
- (22) Filed: **Apr. 27, 2018**
- (51) **LOC (12) Cl.** ..... **15-02**
- (52) **U.S. Cl.**  
USPC ..... **D15/7**
- (58) **Field of Classification Search**  
USPC ..... D15/7, 8-9; D23/231, 232, 225  
CPC ..... A63B 41/12; F02M 37/04; F02M 37/14  
See application file for complete search history.

D454,358 S *	3/2002	Davis	.....	D15/7
D460,704 S *	7/2002	Peele	.....	D10/86
6,923,222 B2 *	8/2005	Gaines	.....	A63B 41/12
				141/384
D513,924 S *	1/2006	Benedict	.....	D32/18
D588,161 S *	3/2009	Daniel	.....	D15/7
D611,961 S *	3/2010	Boussu	.....	D15/7
7,730,913 B2 *	6/2010	Voorhies	.....	A63B 41/12
				137/231
7,857,015 B2 *	12/2010	Voorhies	.....	A63B 41/12
				137/231
D707,716 S *	6/2014	Bishop	.....	D15/7
D740,328 S *	10/2015	Maw	.....	D15/7

\* cited by examiner

*Primary Examiner* — Mitchell I. Siegel  
(74) *Attorney, Agent, or Firm* — Workman Nydegger

(57) **CLAIM**

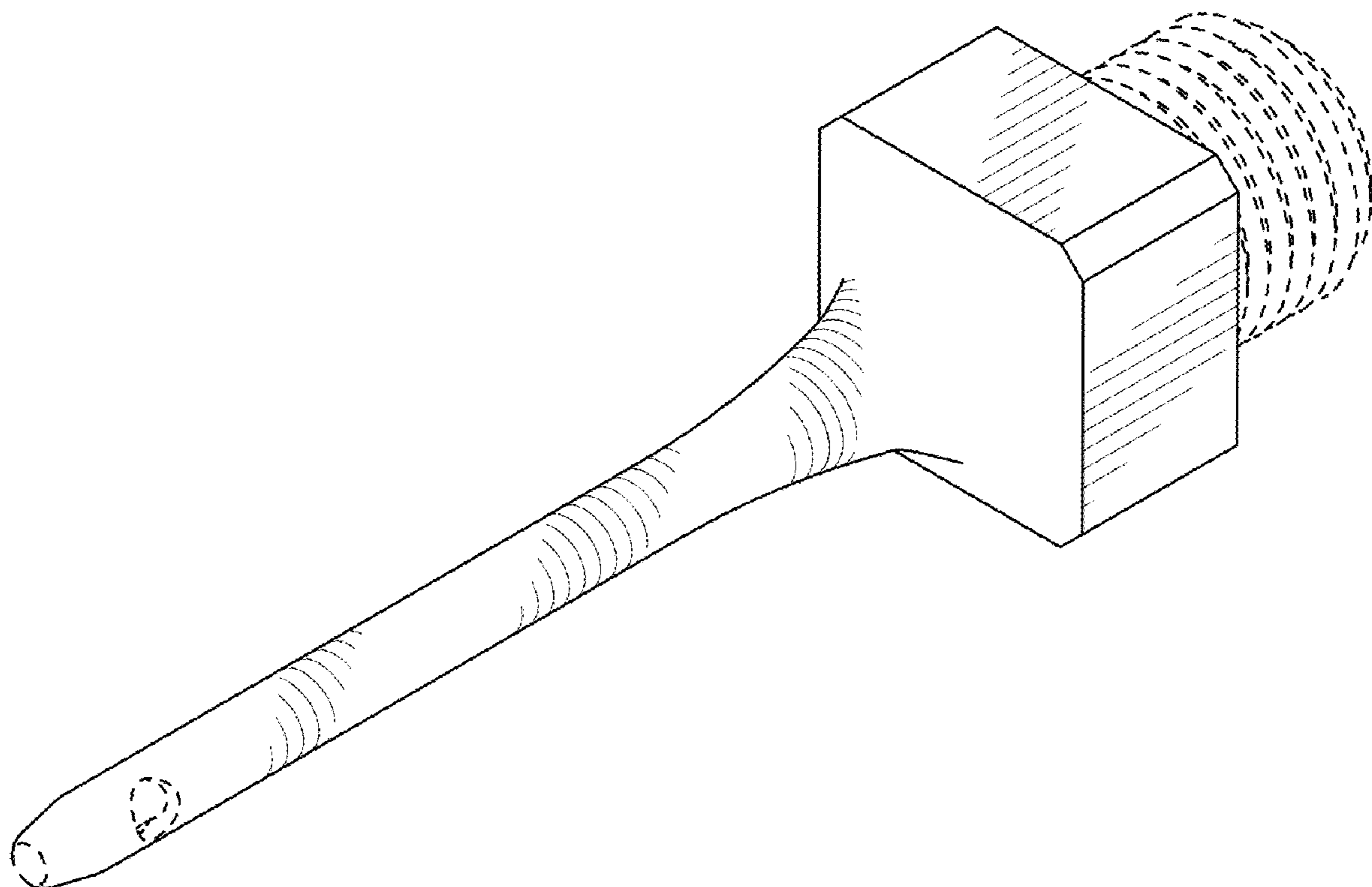
The ornamental design for an inflating needle, as shown and described.

**DESCRIPTION**

FIG. 1 illustrates a top, right perspective view of an inflating needle incorporating a new four-sided design; FIG. 2 illustrates a front elevation view thereof; FIG. 3 illustrates a rear elevation view thereof; FIG. 4 illustrates a top plan view thereof; FIG. 5 illustrates a bottom plan view thereof; FIG. 6 illustrates a left side elevation view thereof; and, FIG. 7 illustrates a right side elevation view thereof. In the drawings, the broken lines depict portions of the inflating needle that form no part of the claimed design.

**1 Claim, 2 Drawing Sheets**

- (56) **References Cited**  
U.S. PATENT DOCUMENTS
- 3,933,177 A \* 1/1976 Dwyer, Jr. .... F16K 15/20  
137/861
- 4,043,356 A \* 8/1977 Morris ..... A63B 41/12  
137/320
- 5,556,258 A \* 9/1996 Lange ..... F04B 33/00  
417/440
- D375,315 S \* 11/1996 Paul-Johansson ..... D15/7
- D406,267 S \* 3/1999 Carter ..... D15/7



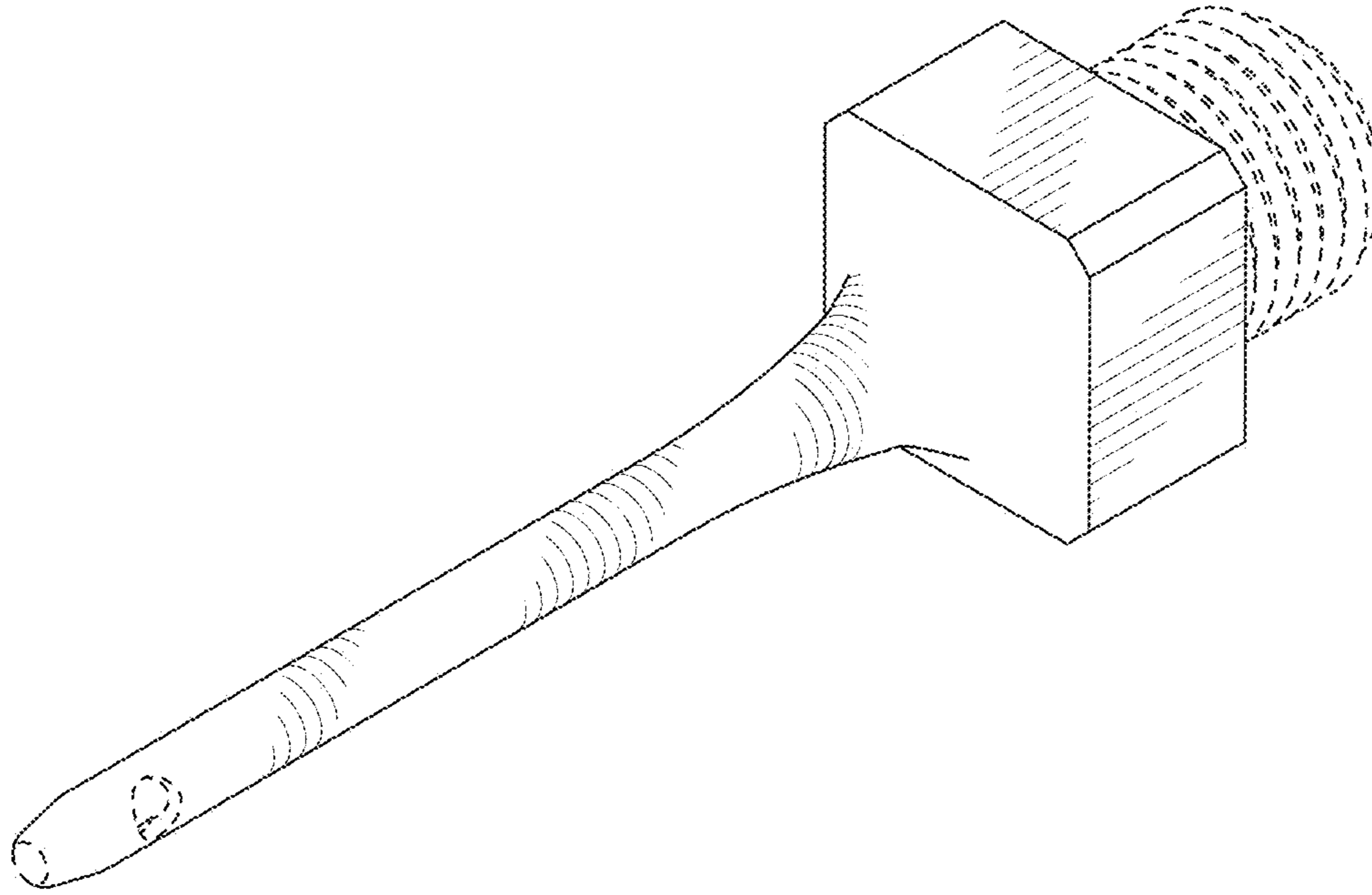


FIG. 1

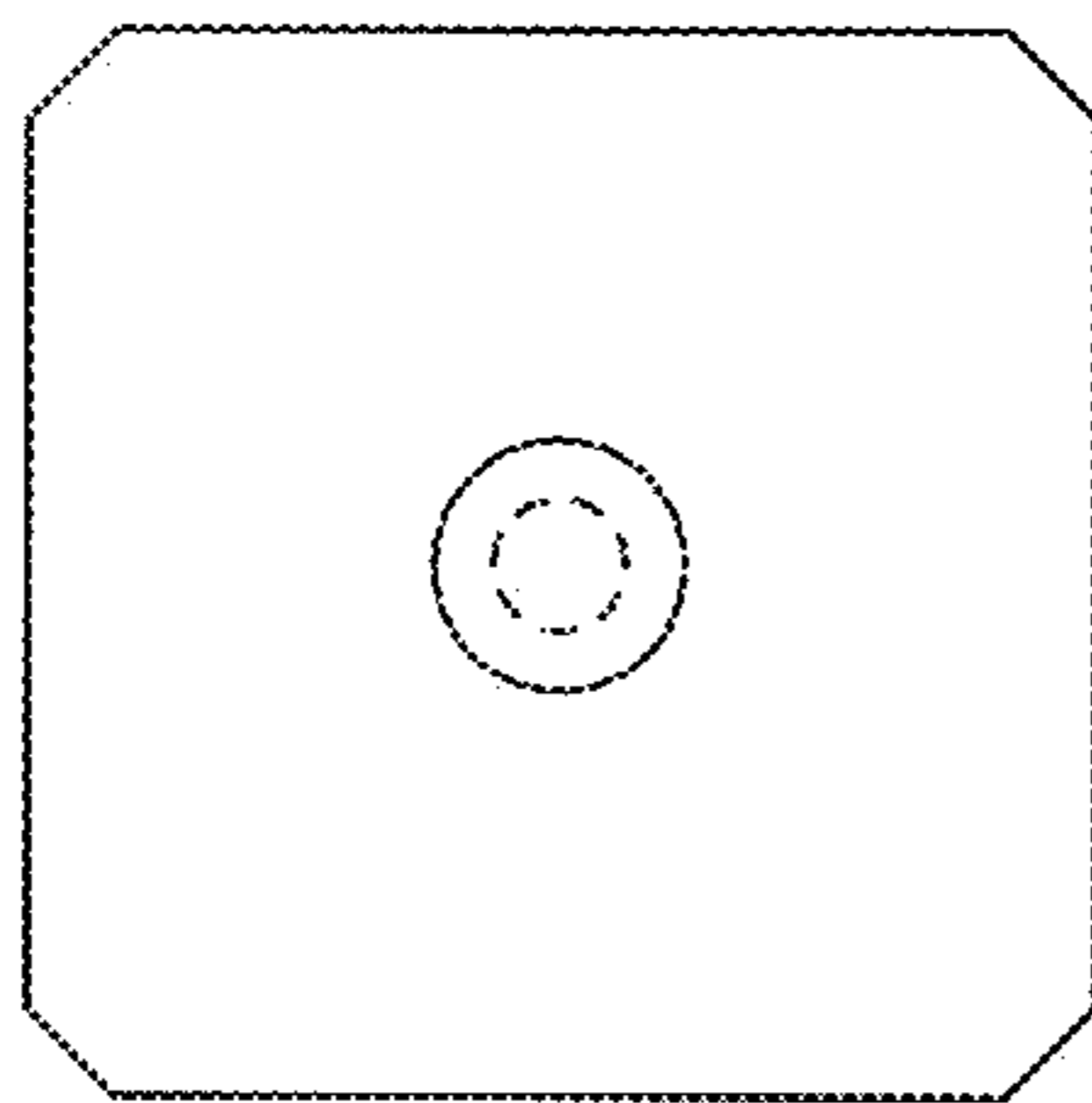


FIG. 2

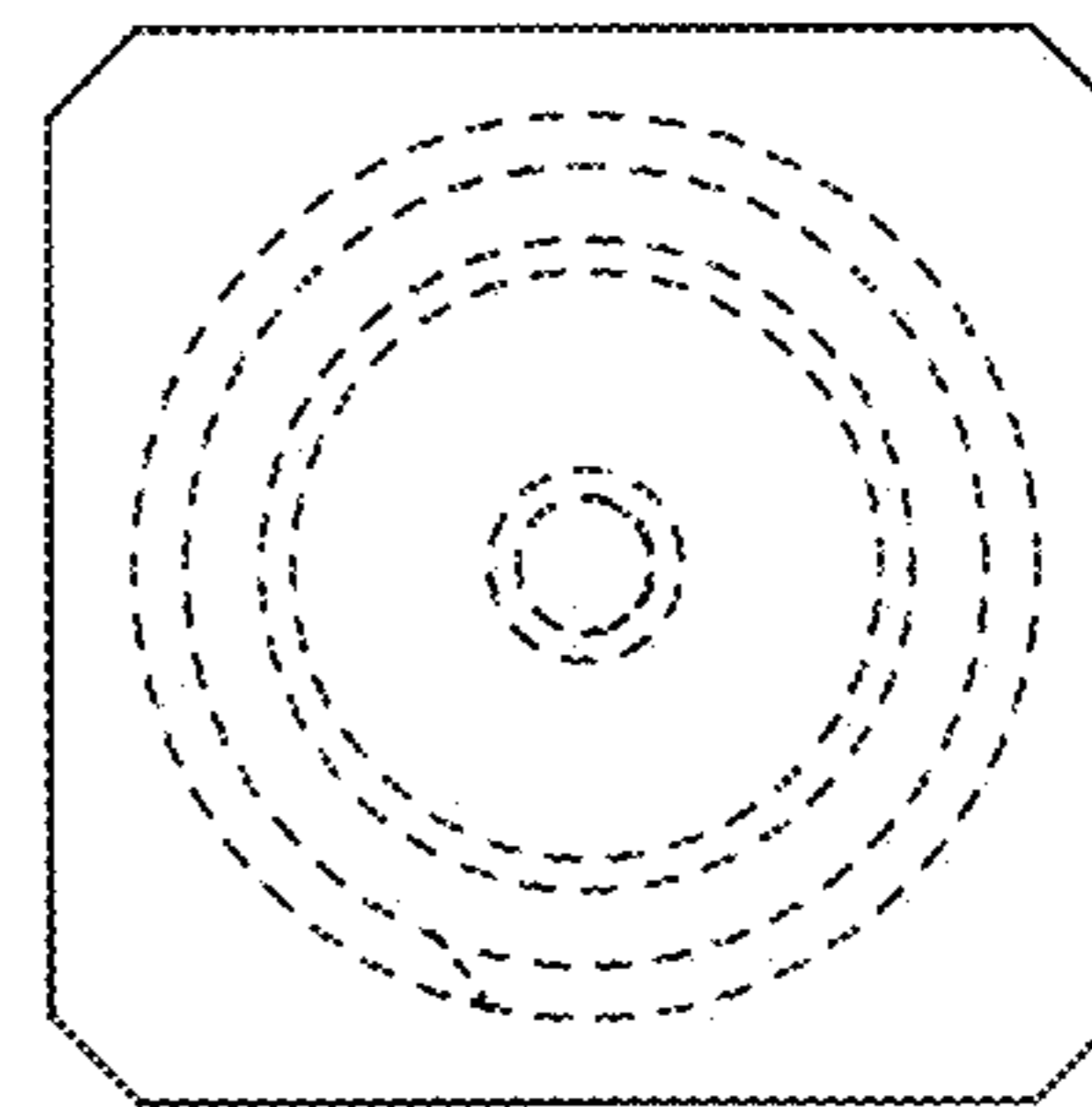


FIG. 3

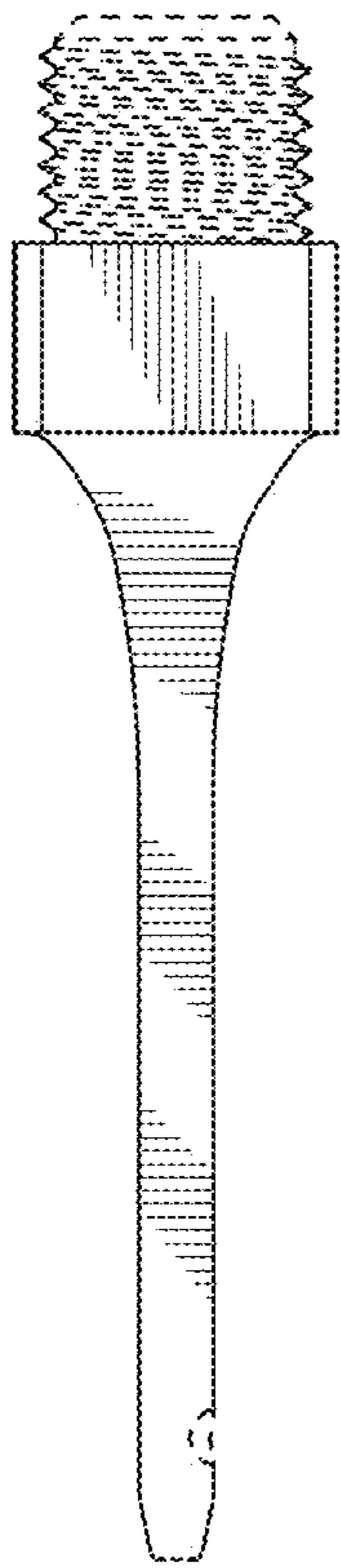


FIG. 4

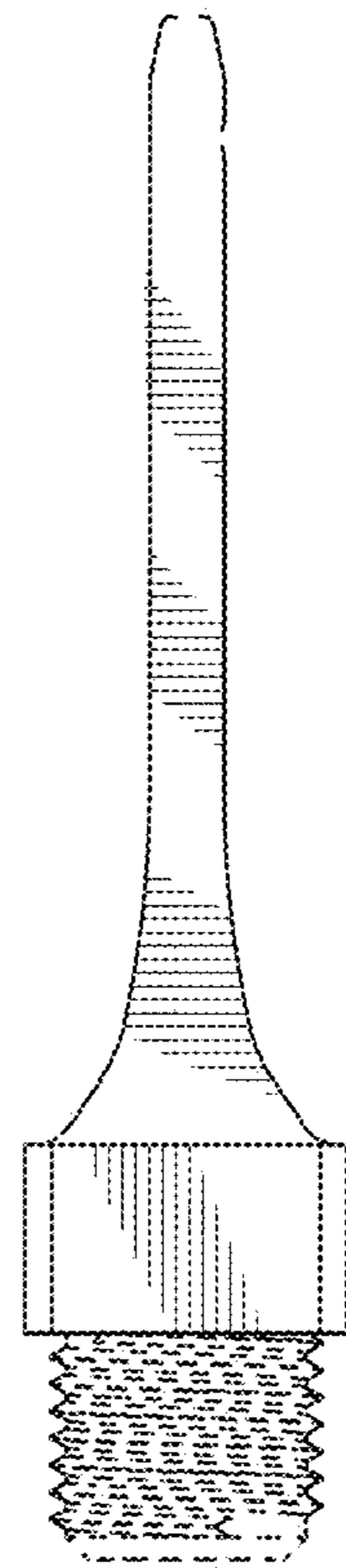


FIG. 5

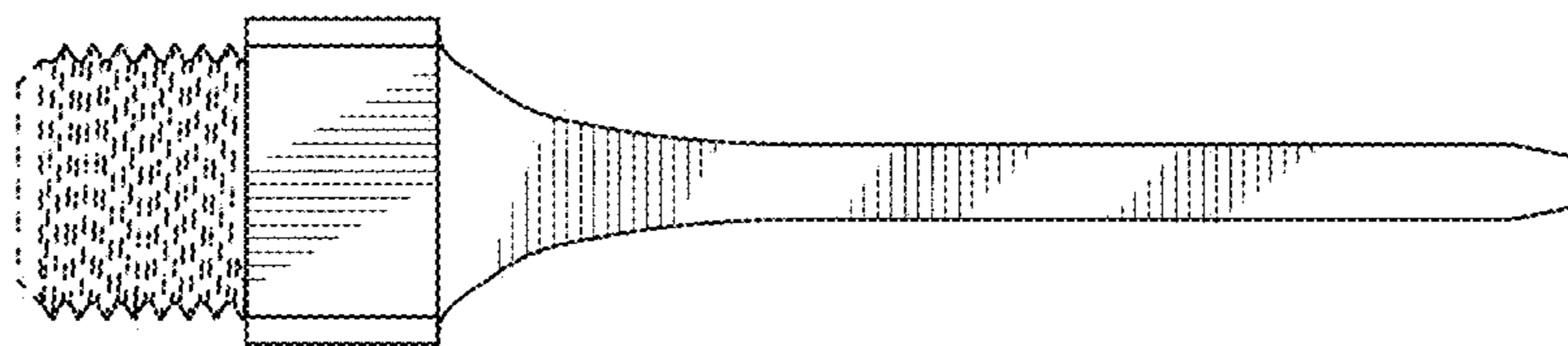


FIG. 6

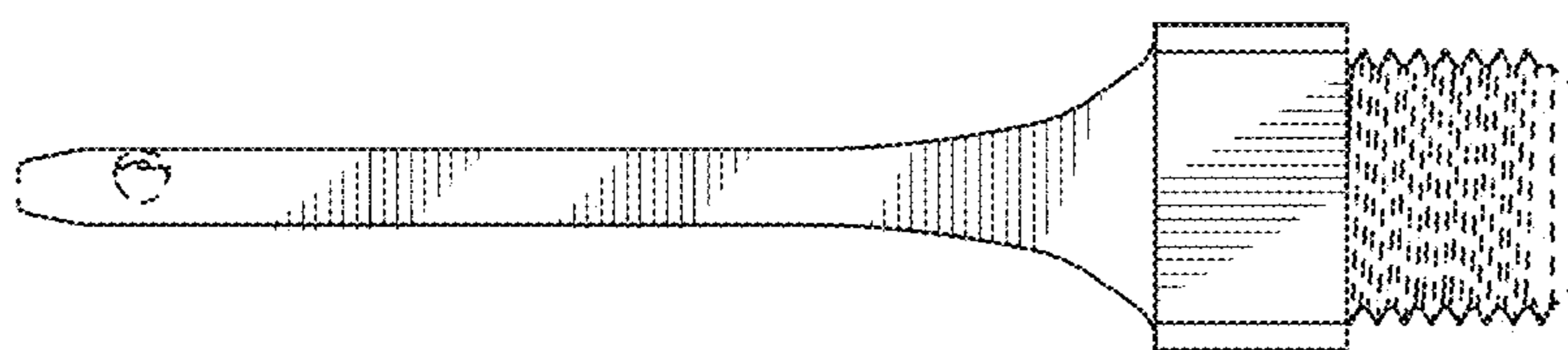


FIG. 7