



US00D879794S

(12) **United States Design Patent**  
**Wu**

(10) **Patent No.:** **US D879,794 S**  
(45) **Date of Patent:** **\*\* Mar. 31, 2020**

- (54) **KEYCAP**
- (71) Applicant: **Ming Wu**, Shenzhen (CN)
- (72) Inventor: **Ming Wu**, Shenzhen (CN)
- (\*\*) Term: **15 Years**
- (21) Appl. No.: **29/674,551**
- (22) Filed: **Dec. 21, 2018**
- (51) **LOC (12) Cl.** ..... **14-02**
- (52) **U.S. Cl.**  
USPC ..... **D14/456**
- (58) **Field of Classification Search**  
USPC ..... D14/250, 315-327, 345, 391-399, 440,  
D14/455, 456; D18/12.2, 7, 52, 24, 25,  
D18/29, 1, 2  
CPC ..... G06F 1/16; G06F 1/1616; G06F 1/1626;  
G06F 1/1632; G06F 1/1613; G06F  
1/1601; G06F 1/1618; G06F 1/162; G06F  
3/0221; G06F 3/0216; H01R 35/02;  
H03M 11/00; G09B 13/04; H03K 17/94;  
G09G 5/00; F16M 11/10; H05K 5/00;  
H04M 1/0237; H01H 13/14; H01H 13/84;  
B41J 5/00; B41J 5/12; B41J 5/10  
See application file for complete search history.

(56) **References Cited**  
U.S. PATENT DOCUMENTS

- D219,027 S \* 10/1970 Miller ..... D14/456
- D360,630 S \* 7/1995 Franz ..... D14/456

- D480,392 S \* 10/2003 Dalby ..... D14/247
- D481,710 S \* 11/2003 Helin ..... D14/247
- D481,715 S \* 11/2003 Sinclair ..... D14/247
- D585,072 S \* 1/2009 DeMaio ..... D14/456
- D585,450 S \* 1/2009 DeMaio ..... D14/456
- D585,451 S \* 1/2009 DeMaio ..... D14/456
- D607,461 S \* 1/2010 Wang ..... D14/456
- D733,717 S \* 7/2015 Fujioka ..... D14/456
- D733,718 S \* 7/2015 Fujioka ..... D14/456
- D739,411 S \* 9/2015 Bonnstauffer ..... D14/456

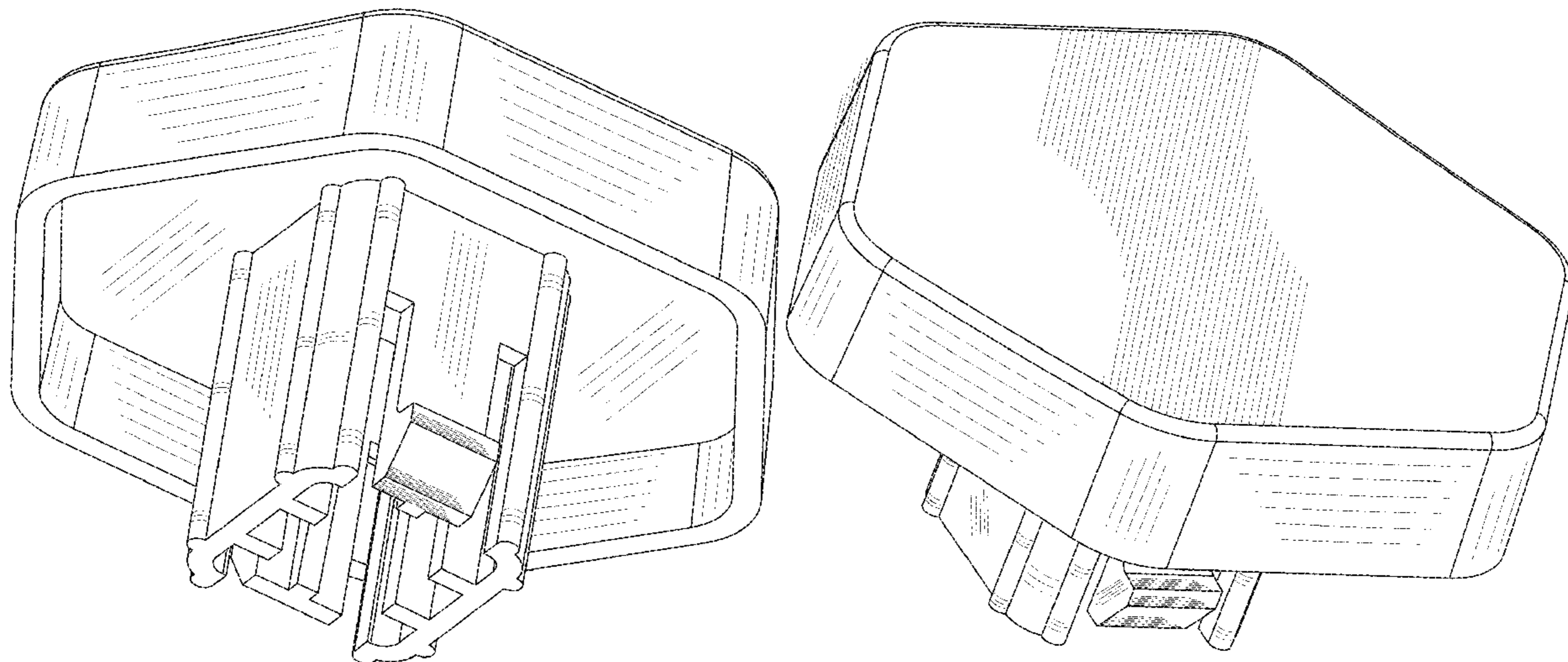
\* cited by examiner

*Primary Examiner* — Keli L Hill  
*Assistant Examiner* — Harold E Blackwell, II  
(74) *Attorney, Agent, or Firm* — Vedder Price, P.C.

(57) **CLAIM**  
The ornamental design for a keycap, as shown and described.

**DESCRIPTION**  
FIG. 1 is a front view of a keycap showing my new design; FIG. 2 is a rear view thereof; FIG. 3 is a left side view thereof; FIG. 4 is a right side view thereof; FIG. 5 is a top view thereof; FIG. 6 is a bottom view thereof; FIG. 7 is a front perspective view thereof; and, FIG. 8 is a rear perspective view thereof. The shade lines shown in the drawings indicate the character and contour of surfaces represented and surface ornamentation.

**1 Claim, 8 Drawing Sheets**



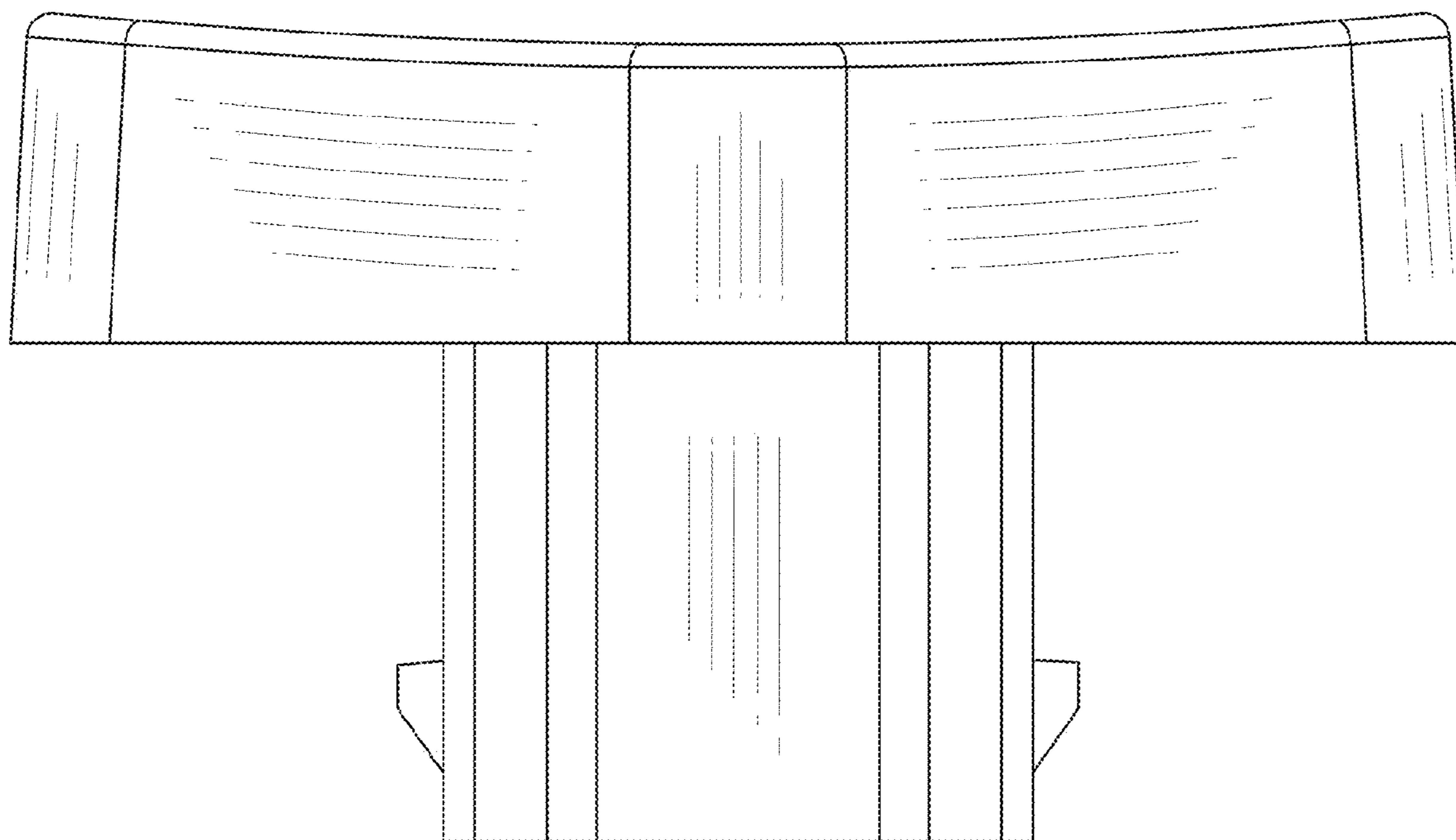


FIG. 1

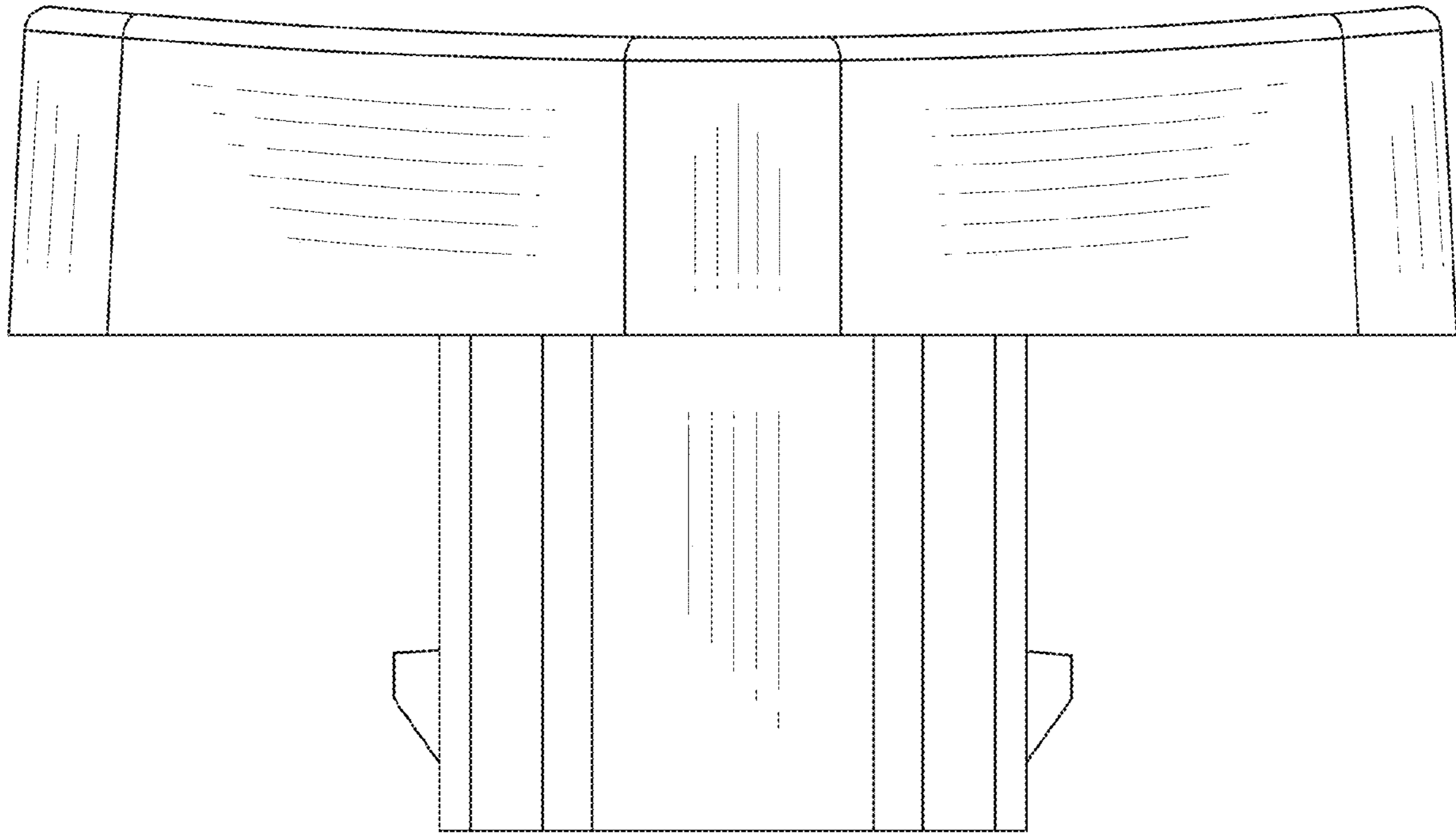


FIG. 2

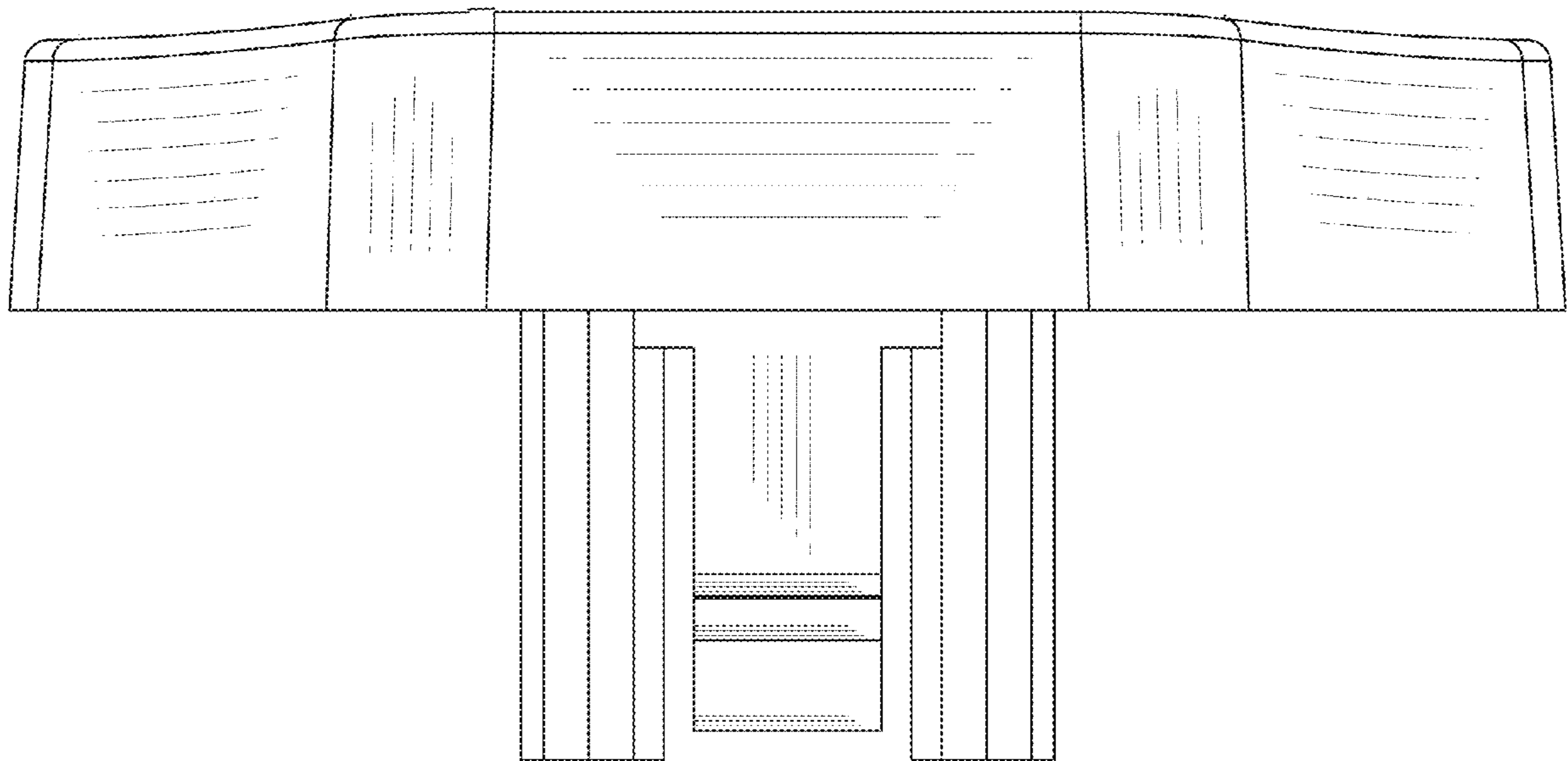


FIG. 3

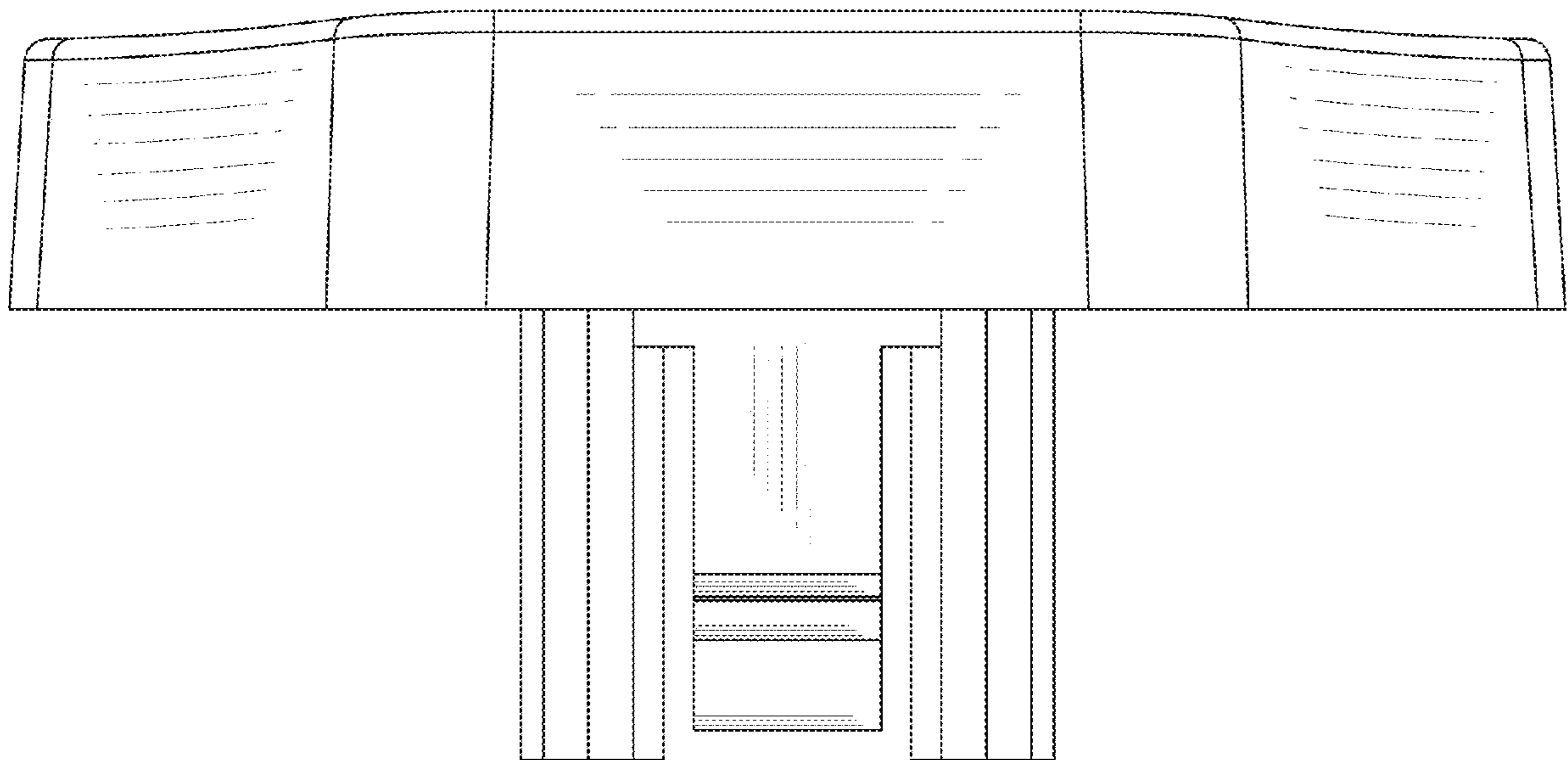


FIG. 4

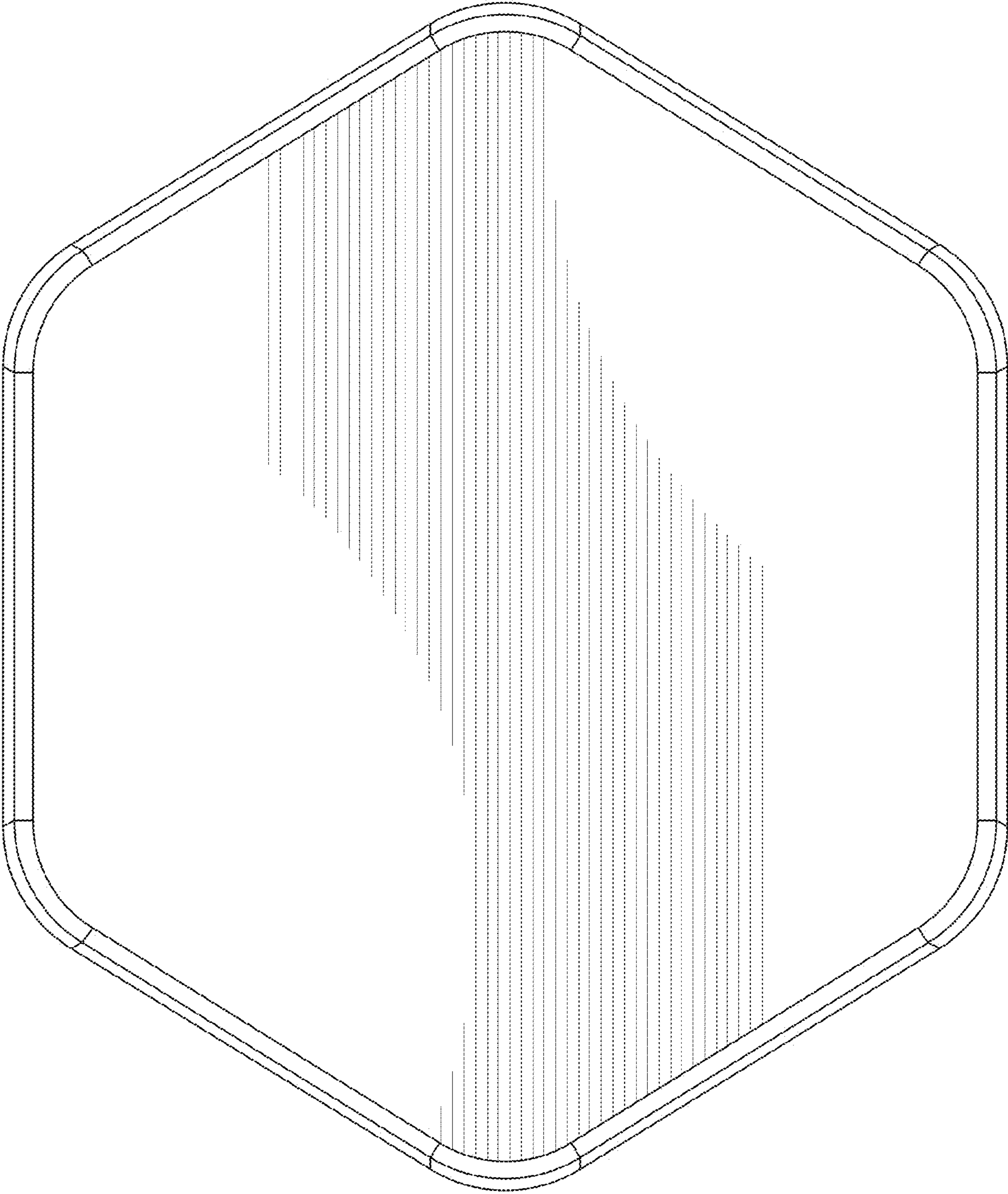


FIG. 5

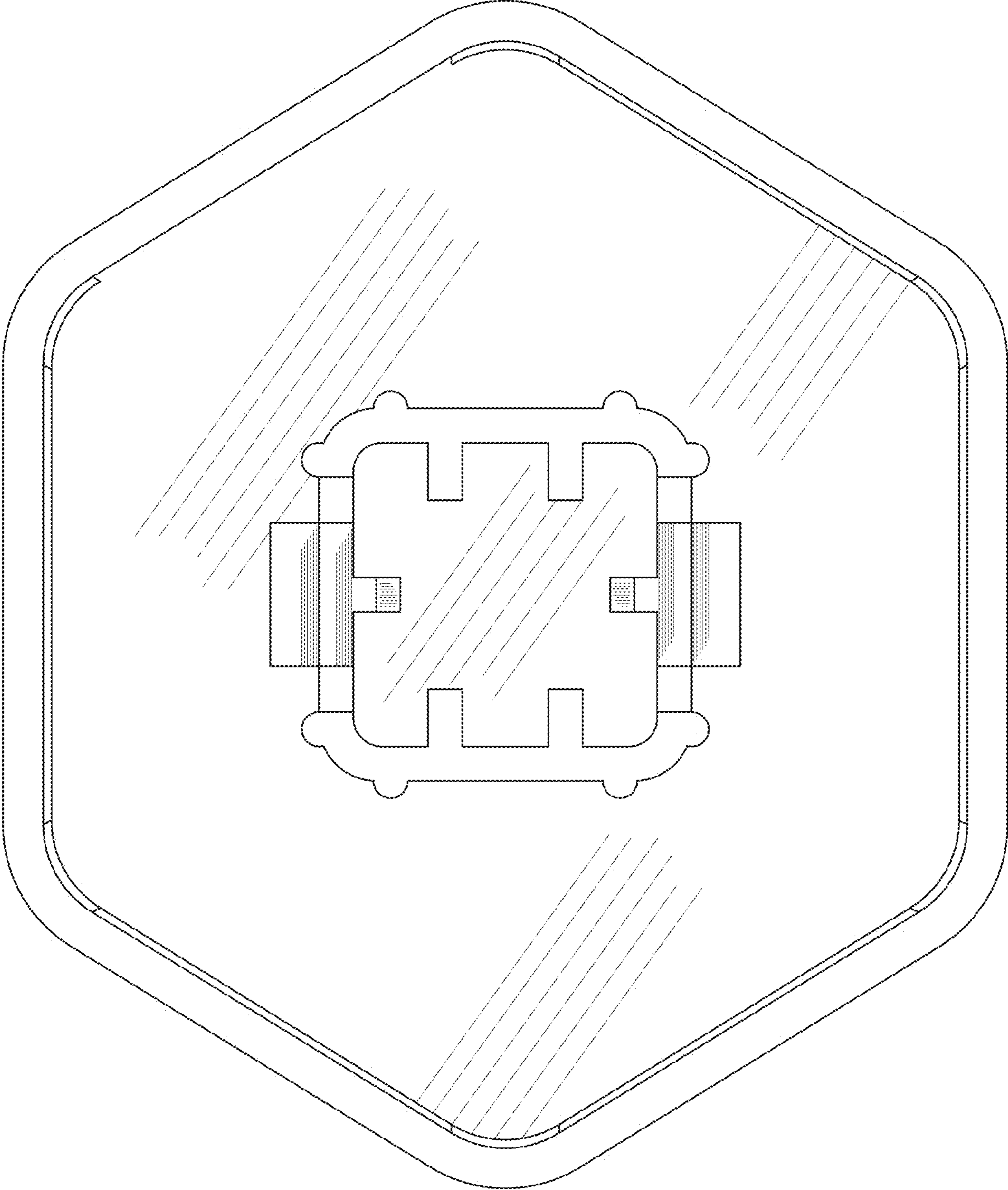


FIG. 6

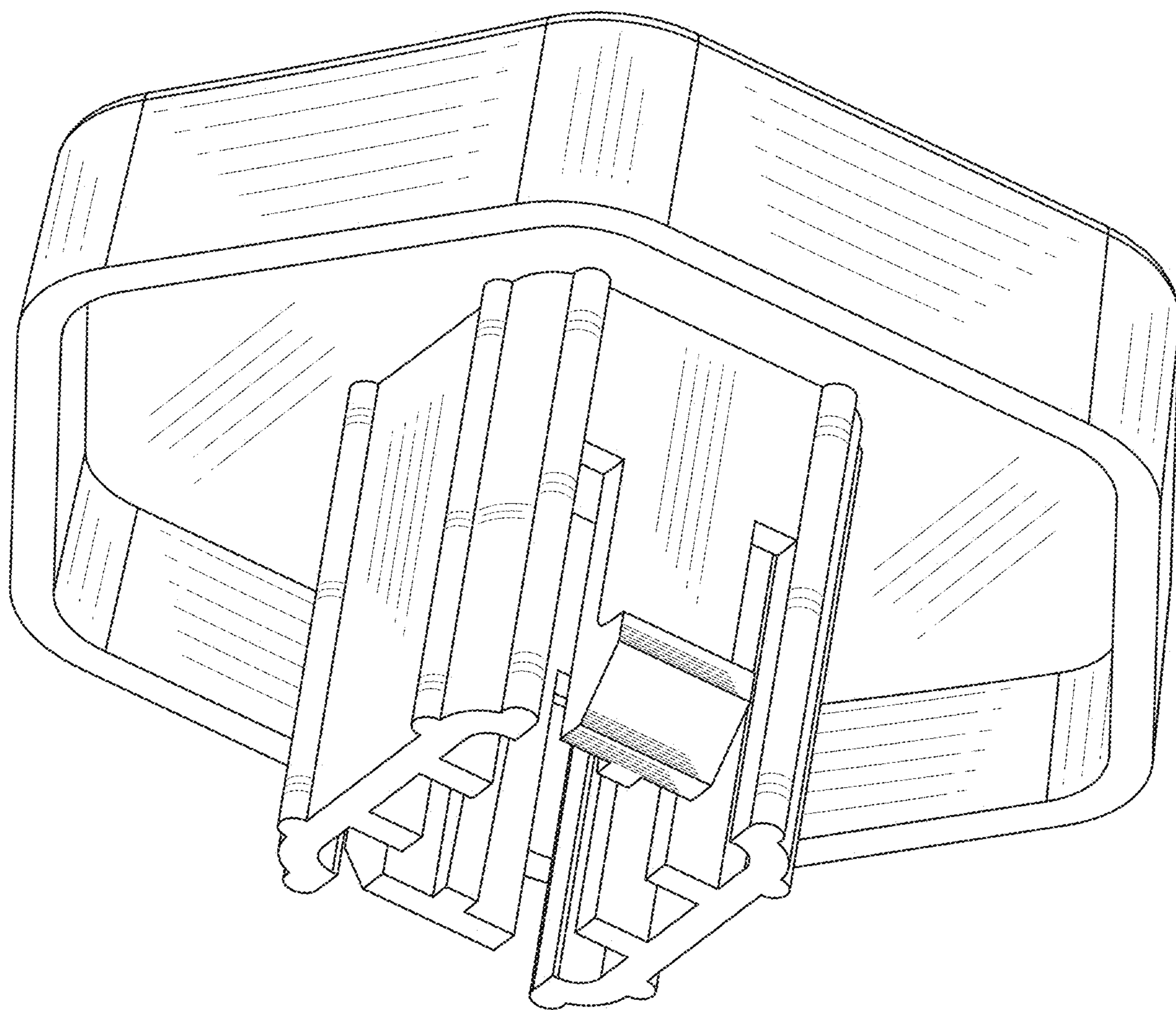


FIG. 7



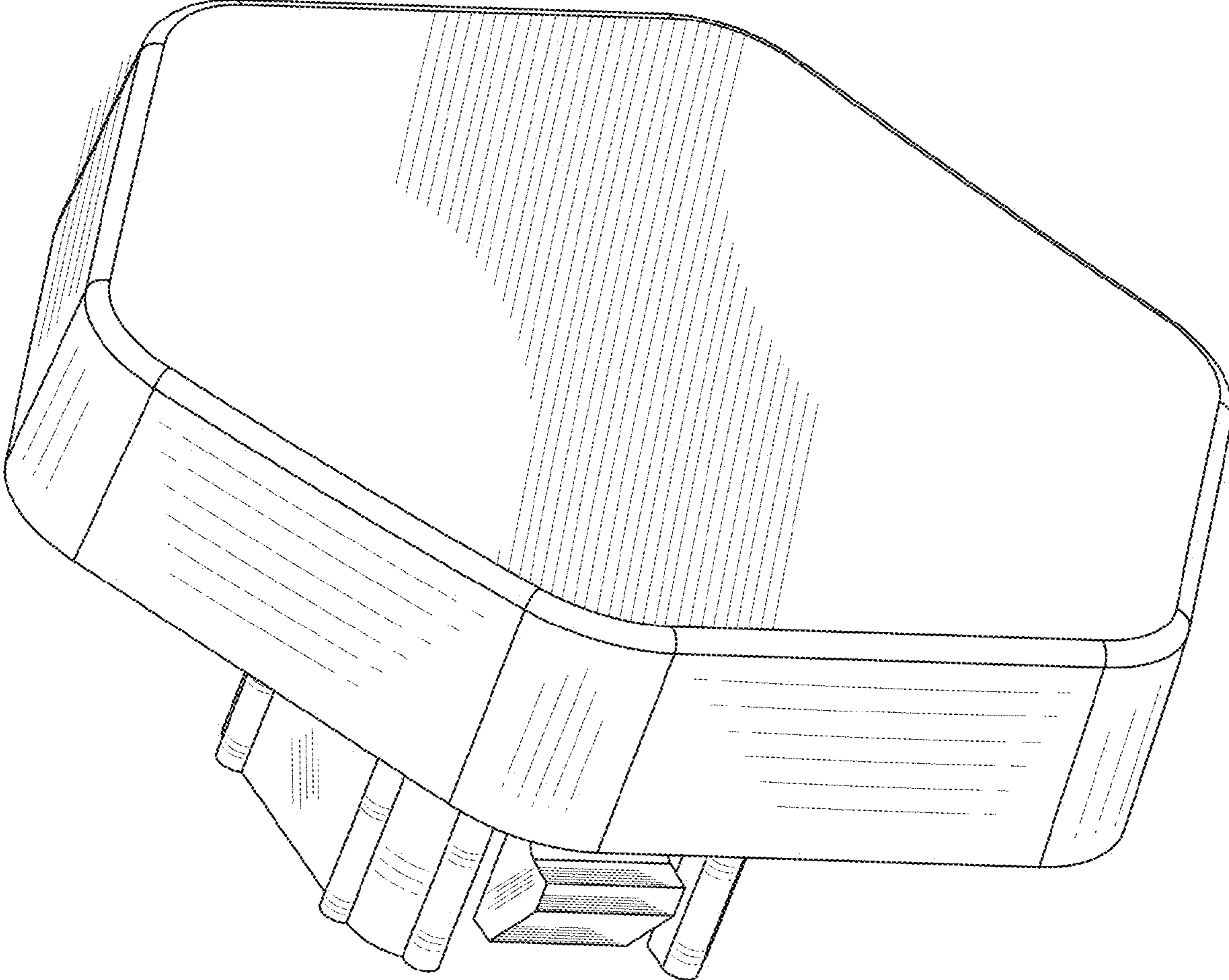


FIG. 8