



US00D879791S

(12) **United States Design Patent** (10) **Patent No.:** **US D879,791 S**
Li (45) **Date of Patent:** **** Mar. 31, 2020**

(54) **TABLET HOLDER**

(71) Applicant: **Shenzhen Baishanchuan Technology Co., Ltd**, Shenzhen, Guangdong (CN)

(72) Inventor: **Jinxiong Li**, Guangdong (CN)

(**) Term: **15 Years**

(21) Appl. No.: **29/710,382**

(22) Filed: **Oct. 23, 2019**

(51) **LOC (12) Cl.** **08-07**

(52) **U.S. Cl.**
USPC **D14/447**

(58) **Field of Classification Search**
USPC D14/447, 432, 434, 439, 440, 451, 452, D14/457, 239, 253; D8/363, 373, 380; D6/406.3, 406.4, 406.5, 406.6; D12/415
CPC A47B 21/04; A47B 2097/006; A47B 2097/005; A47B 2023/049; A45C 2011/002; A45C 2011/003; F16M 2200/00; F16M 13/00
See application file for complete search history.

(56) **References Cited**

U.S. PATENT DOCUMENTS

D376,945 S * 12/1996 Bonaddio 5/420
D398,181 S * 9/1998 Lange D6/596
D476,662 S * 7/2003 Knieper D14/460
D573,150 S * 7/2008 Sween D14/447
D642,582 S * 8/2011 Largy D14/447
D643,845 S * 8/2011 Hong D14/447
D660,856 S * 5/2012 Josefek D14/461
D667,831 S * 9/2012 Stravitz D14/447
D693,351 S 11/2013 Reeves et al.
D696,258 S * 12/2013 Padilla D14/447
D697,069 S * 1/2014 Tak D14/447

D714,807 S * 10/2014 Pulver D14/447
D720,758 S * 1/2015 Janz D14/447
D863,318 S * 10/2019 Zhang D14/447

* cited by examiner

Primary Examiner — Angela J Lee

(74) *Attorney, Agent, or Firm* — Jie Yang; ZanIP

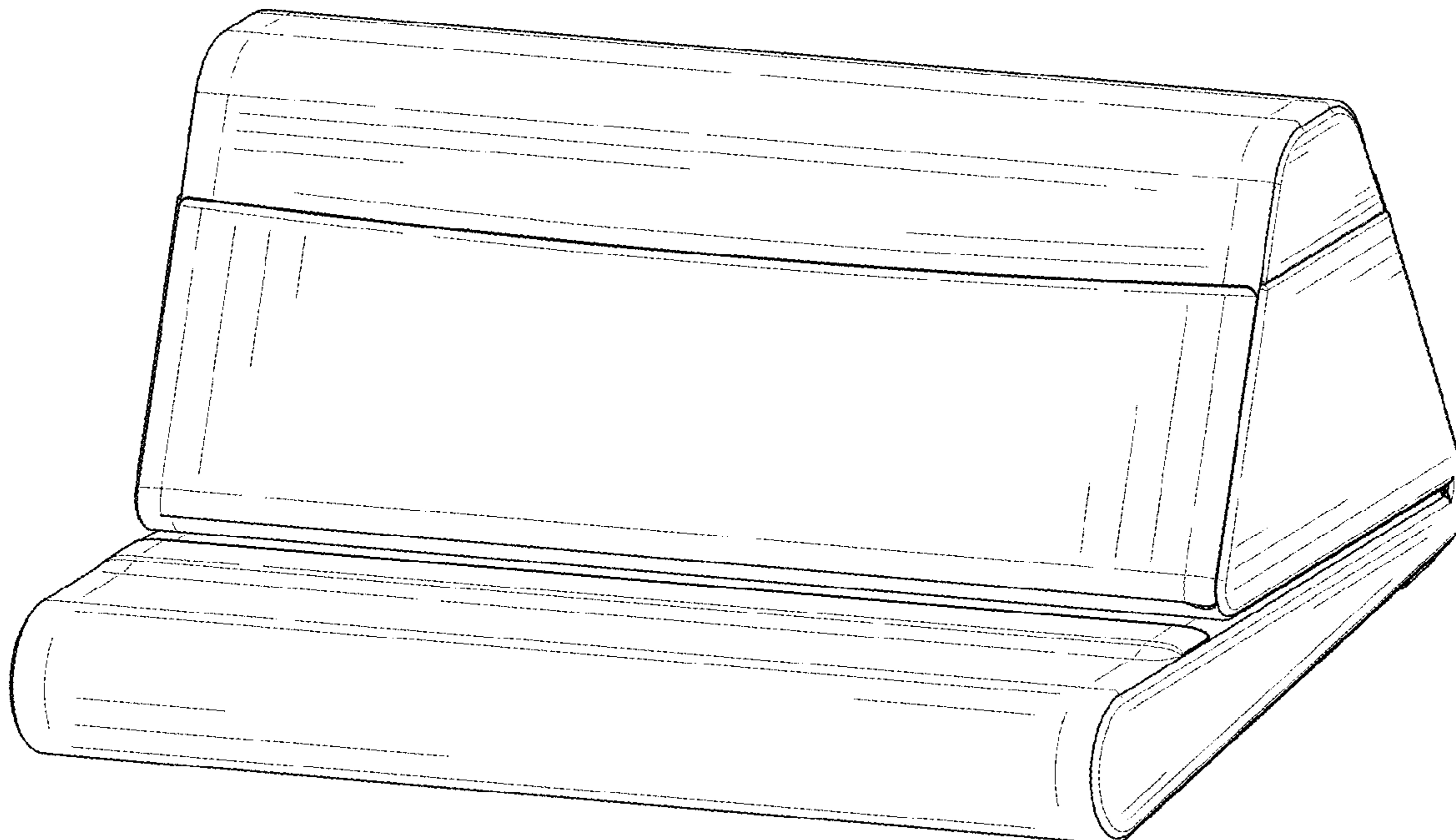
(57) **CLAIM**

The ornamental design for a tablet holder, as shown and described.

DESCRIPTION

FIG. 1 is a front and top perspective view of a first embodiment of a tablet holder, showing my new design; FIG. 2 is a back and bottom perspective view thereof; FIG. 3 is a front view thereof; FIG. 4 is a back view thereof; FIG. 5 is a left side view thereof; FIG. 6 is a right side view thereof; FIG. 7 is a top view thereof; FIG. 8 is a bottom view thereof; FIG. 9 is a top view thereof, showing the unfolded status; FIG. 10 is a front perspective view of a second embodiment of the tablet holder; FIG. 11 is a back and bottom perspective view thereof; FIG. 12 is a front view thereof; FIG. 13 is a back view thereof; FIG. 14 is a left side view thereof; FIG. 15 is a right side view thereof; FIG. 16 is a top view thereof; FIG. 17 is a bottom view thereof; and, FIG. 18 is a top view thereof, showing the unfolded status. The broken lines in the figures illustrate portions of the tablet holder that form no part of the claimed design.

1 Claim, 18 Drawing Sheets



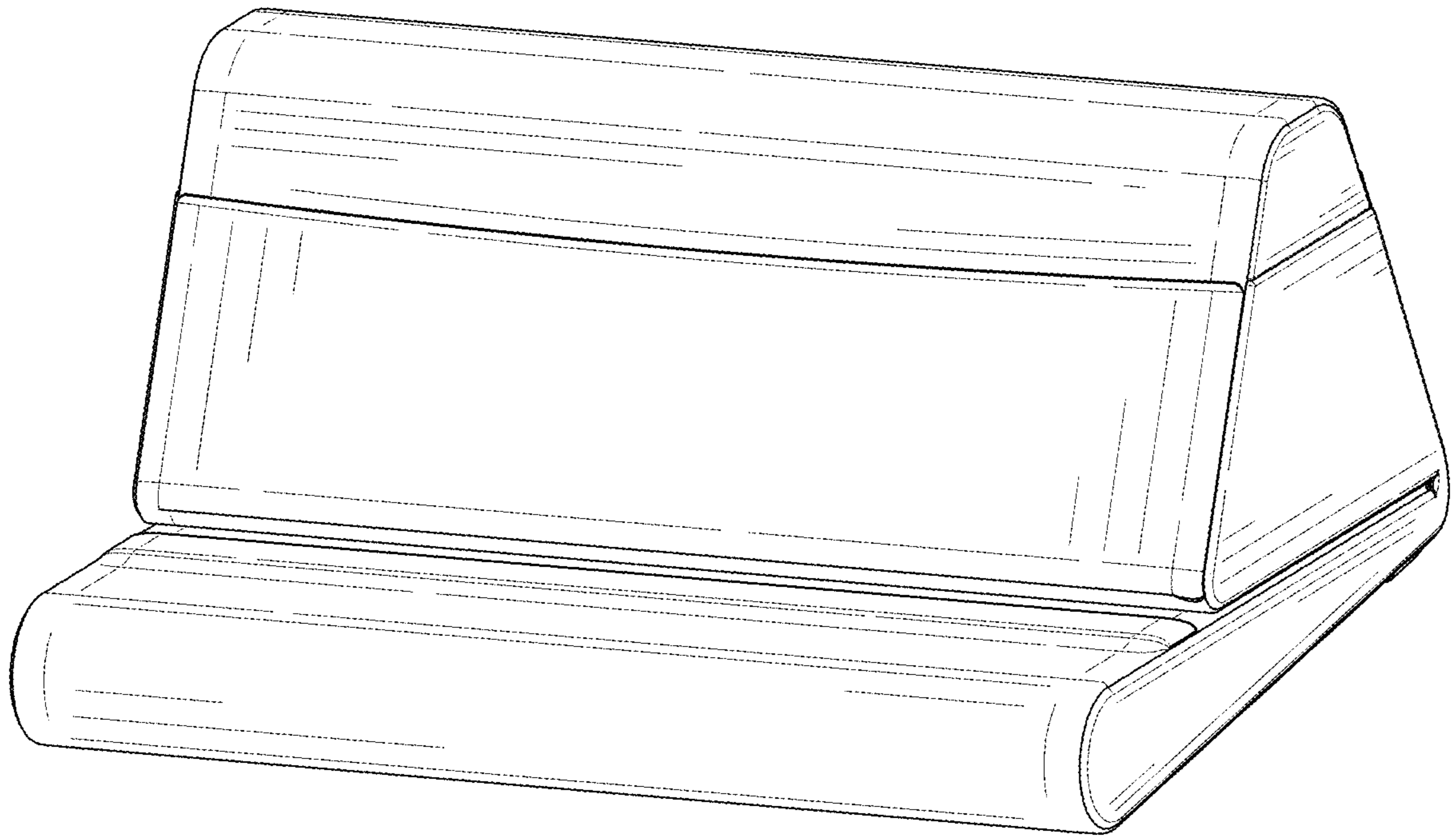


FIG. 1

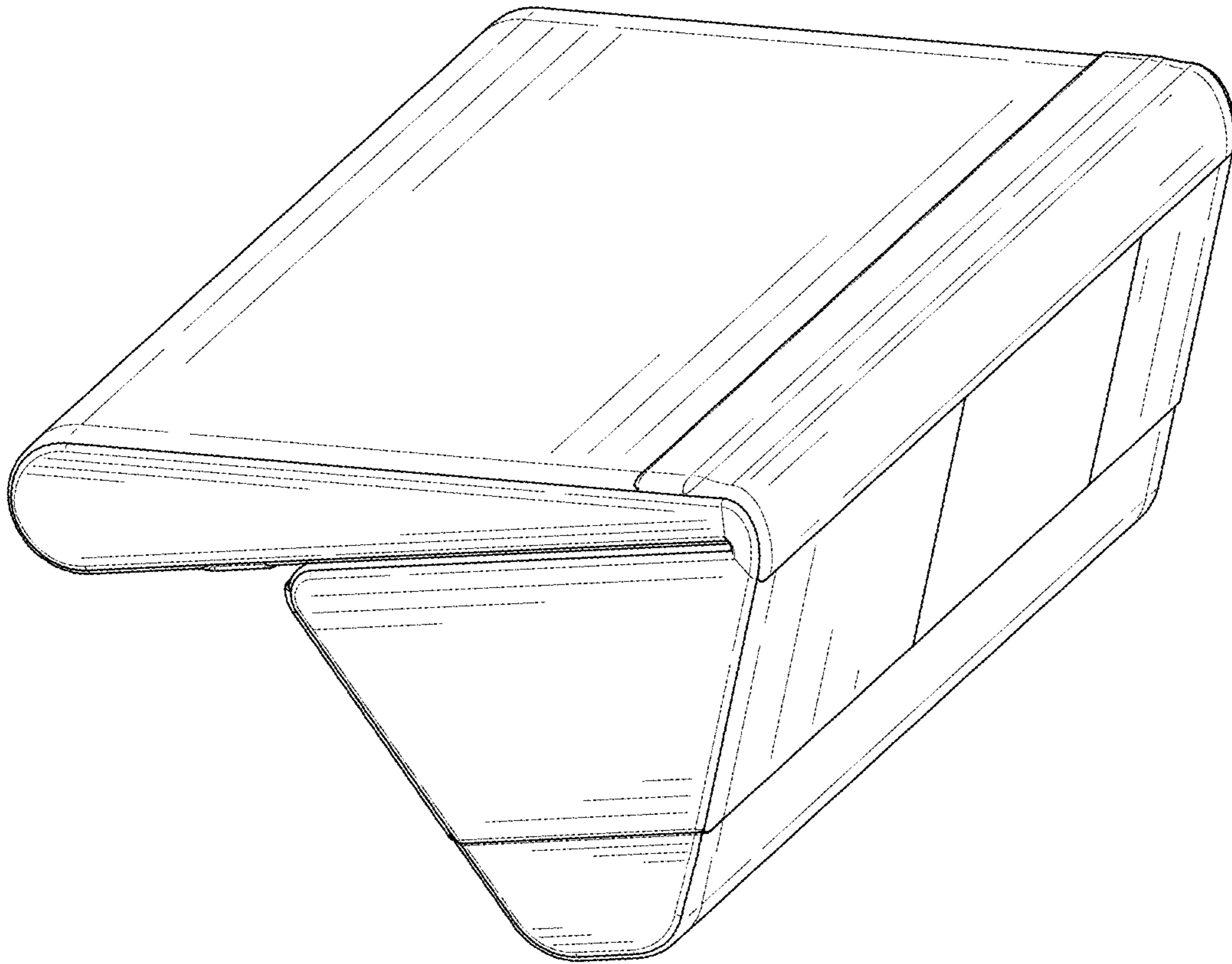


FIG. 2

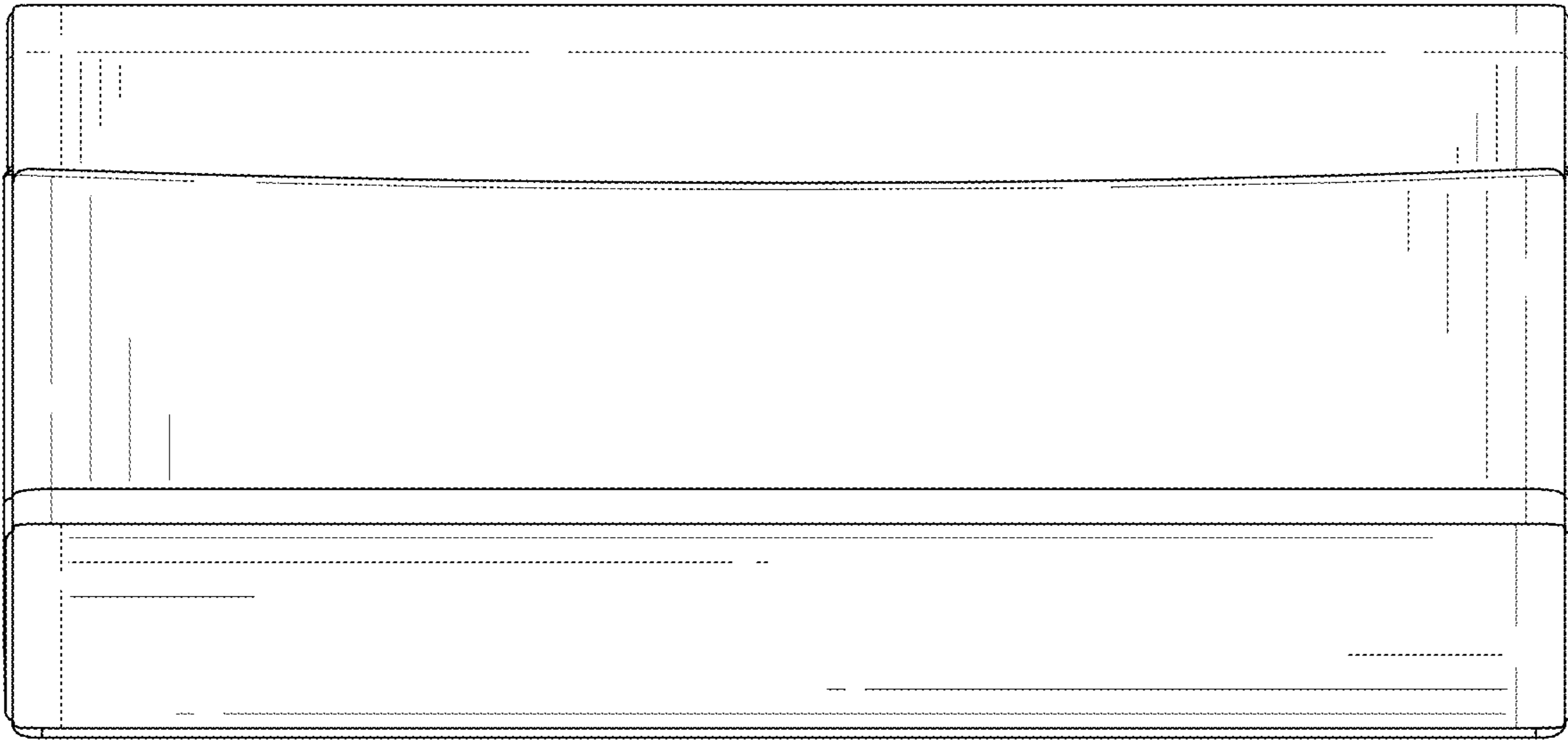


FIG. 3

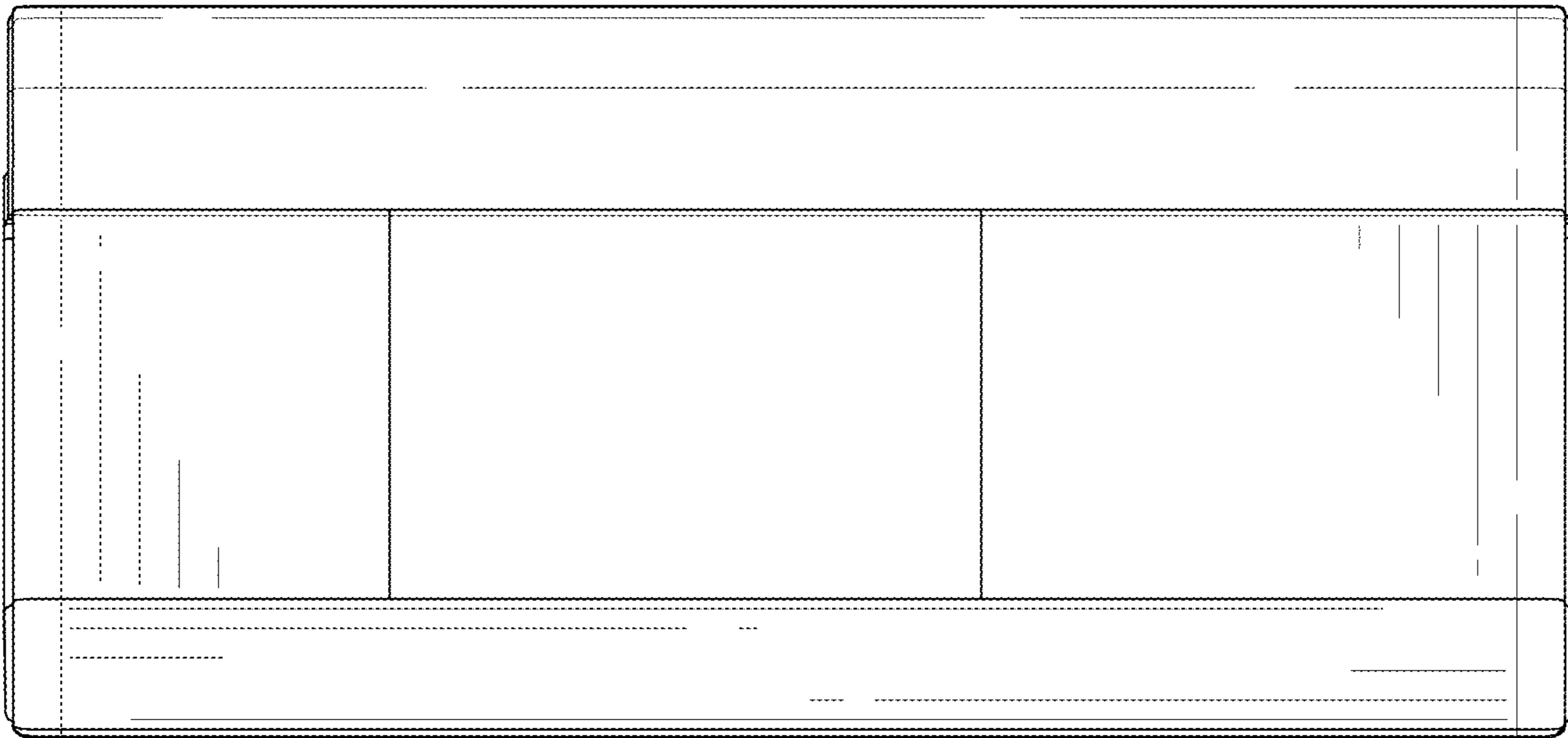


FIG. 4

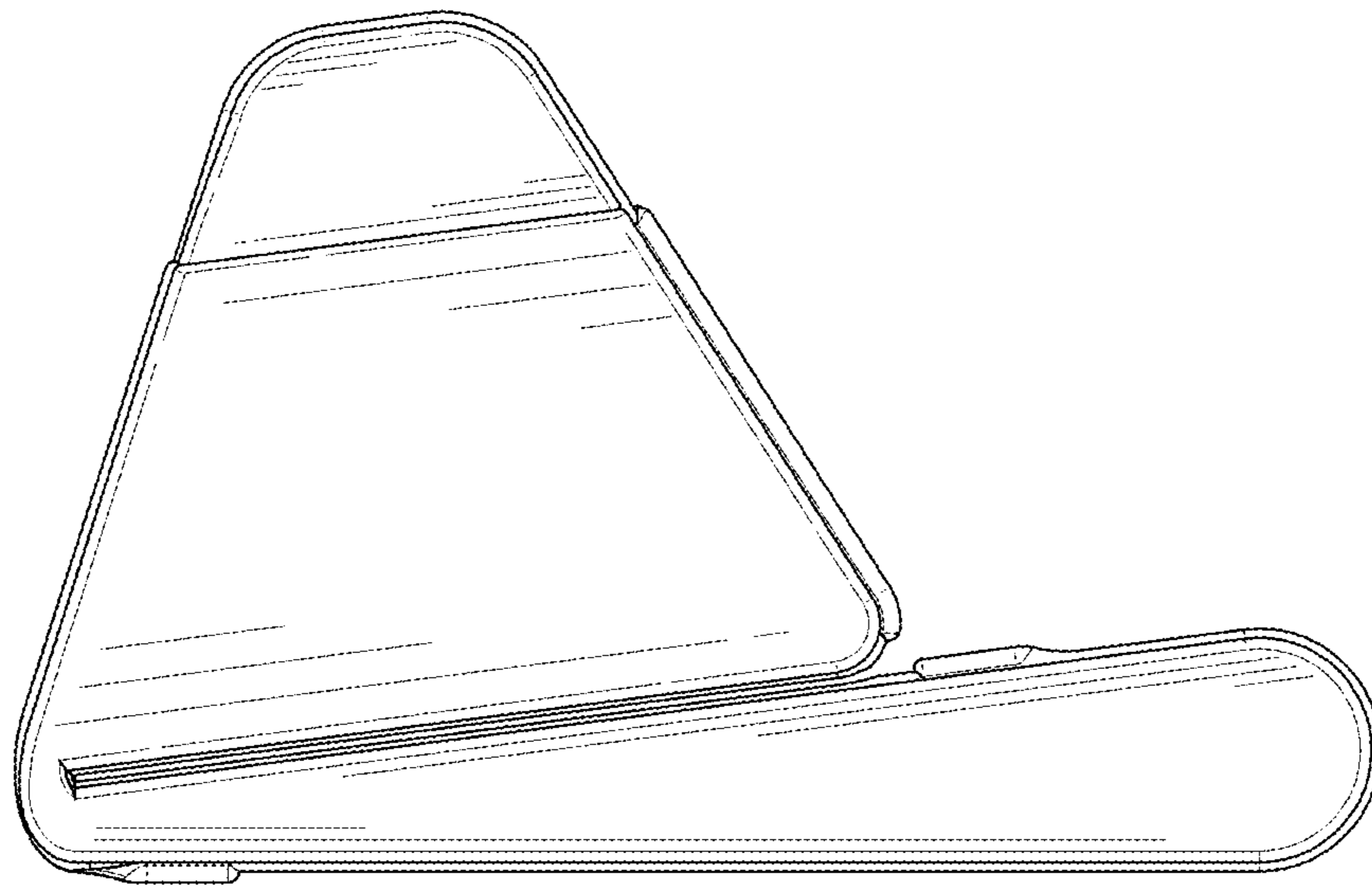


FIG. 5

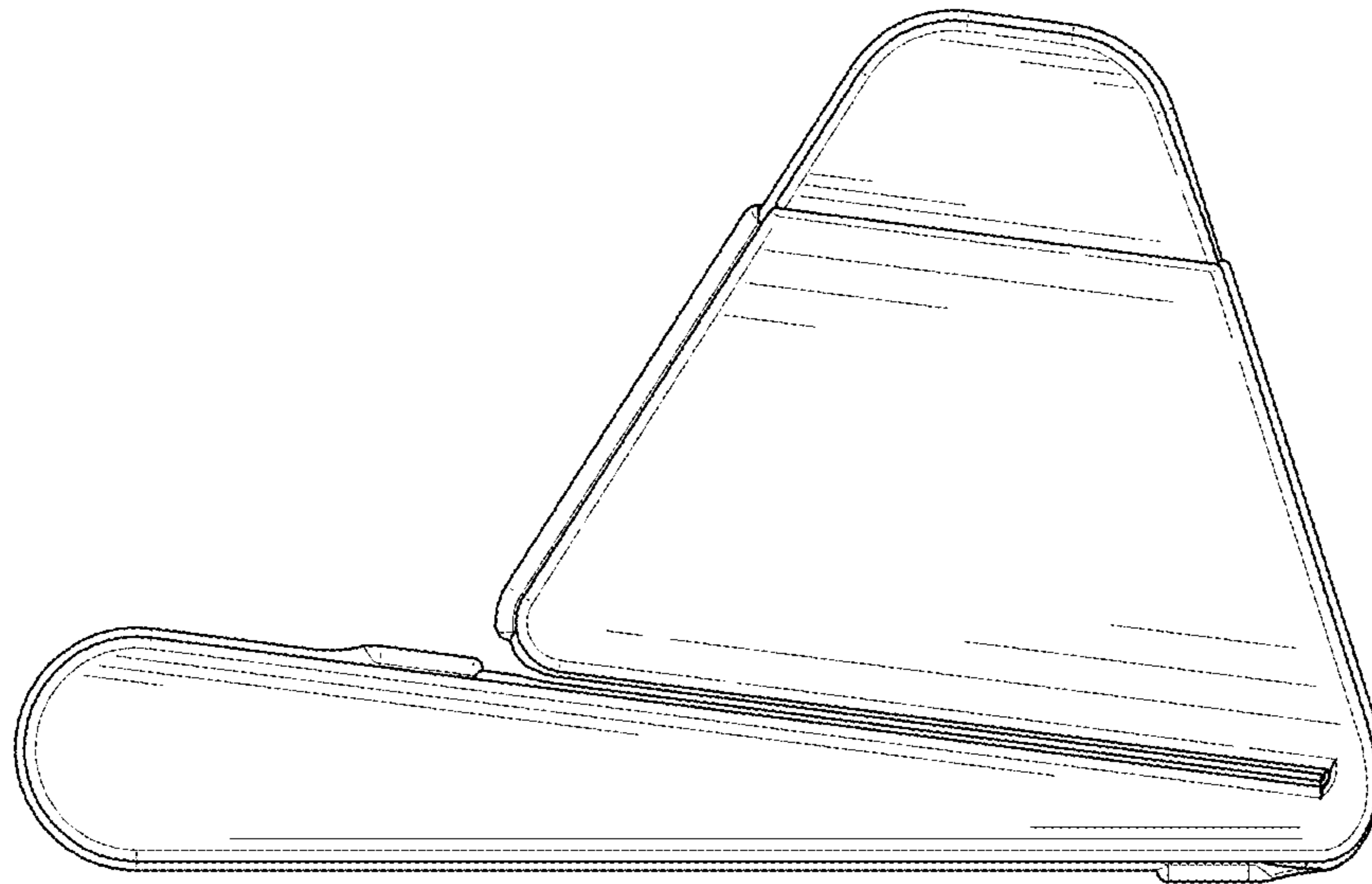


FIG. 6

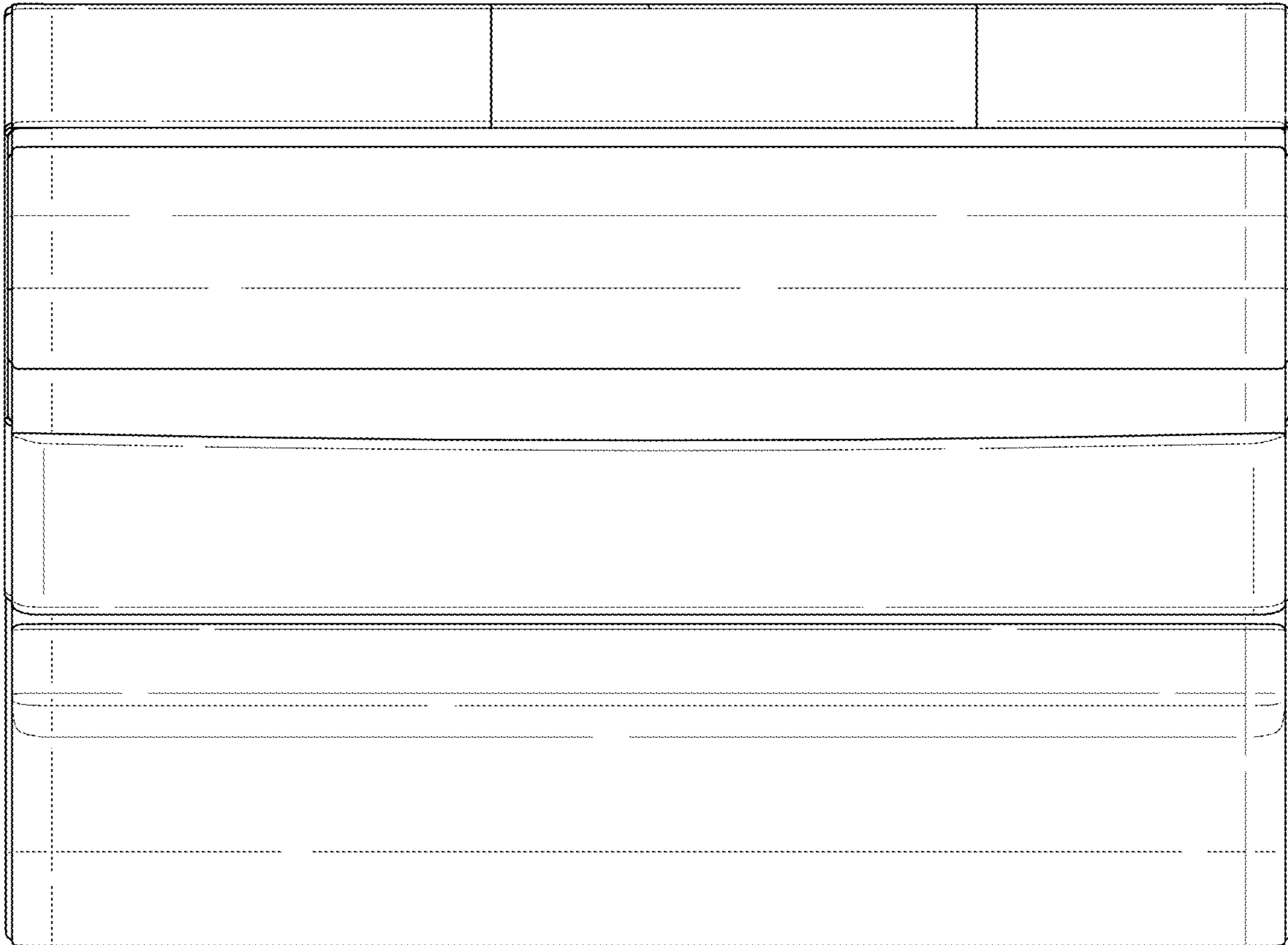


FIG. 7



FIG. 8

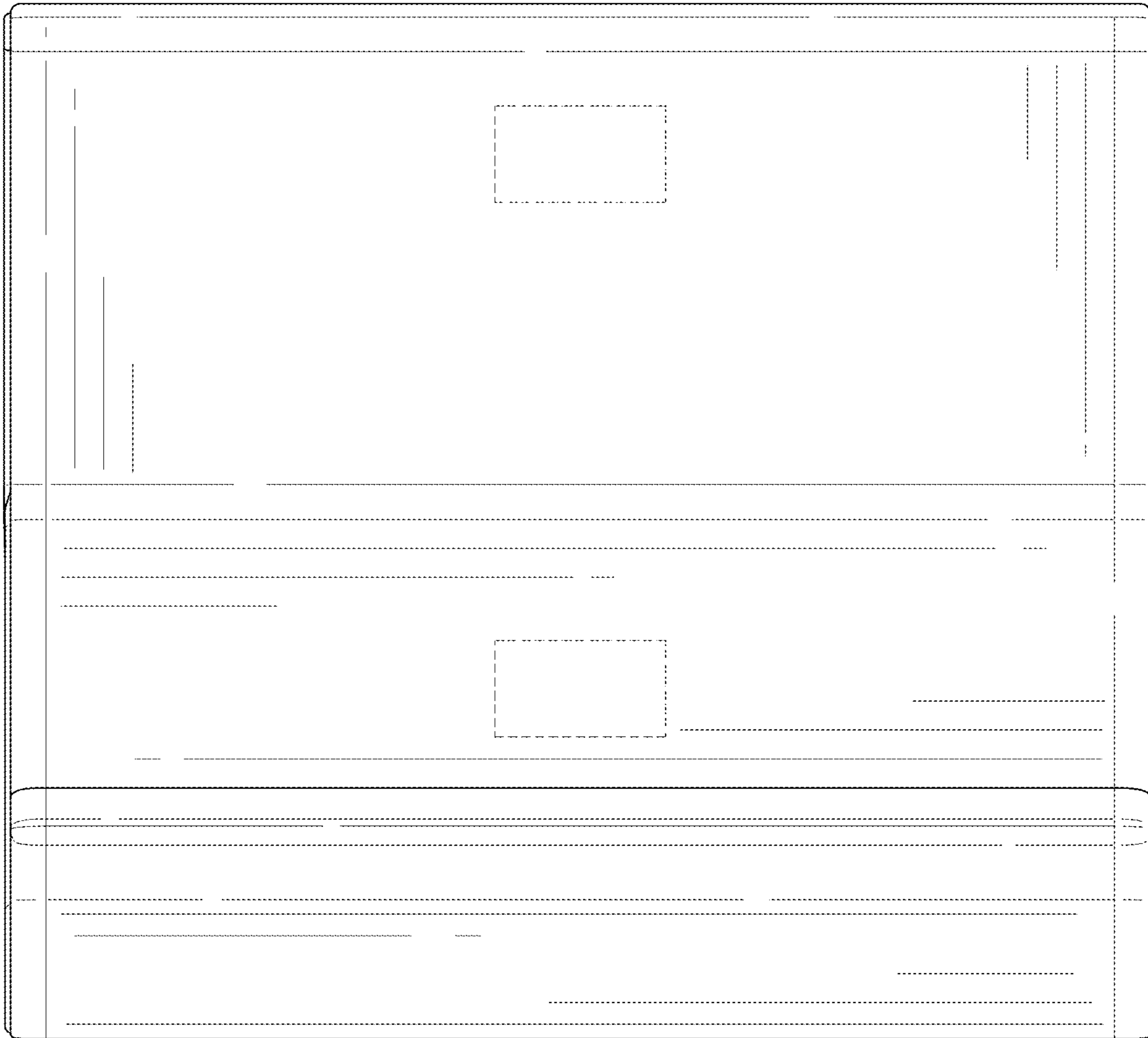


FIG. 9

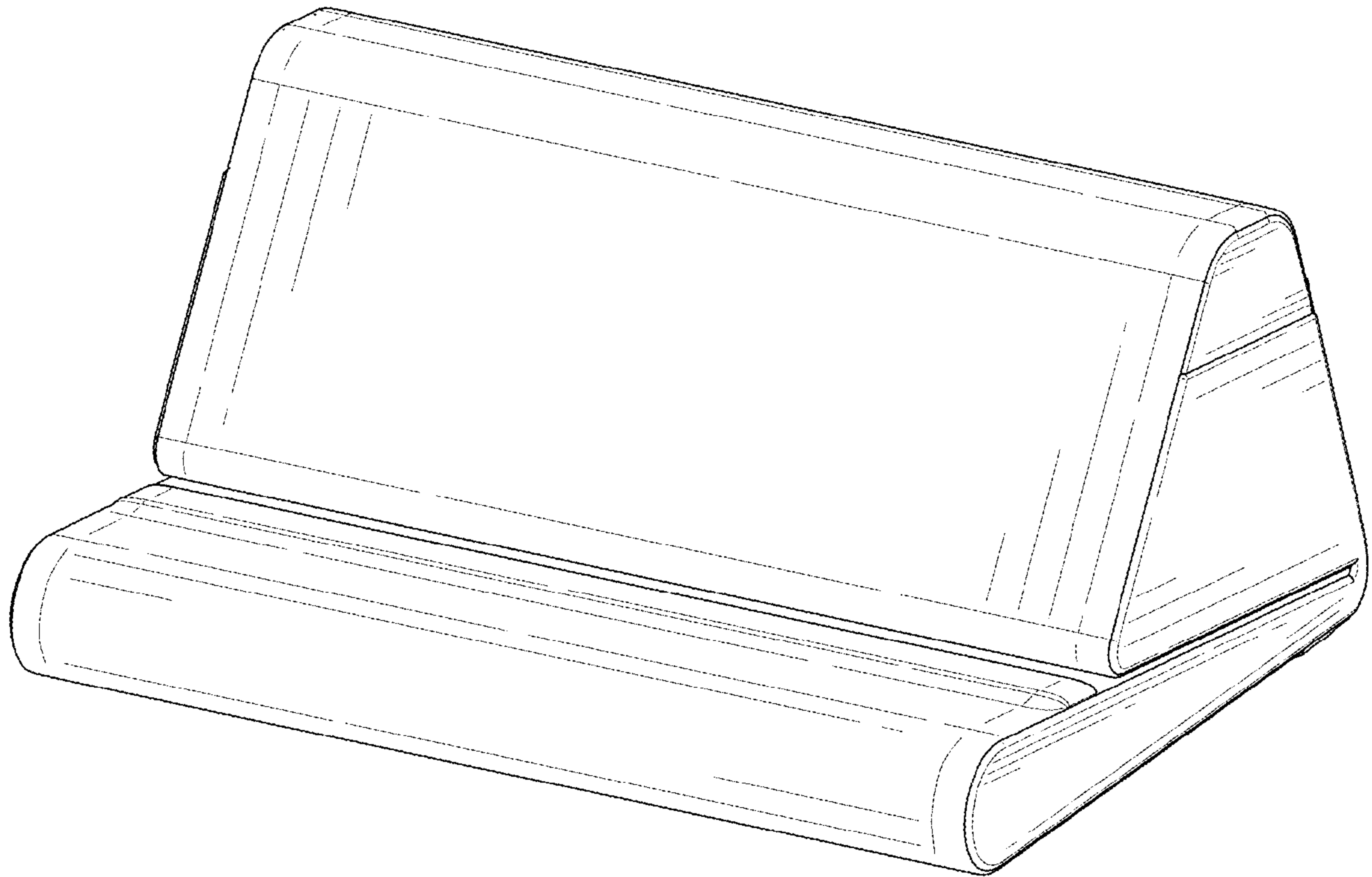


FIG. 10

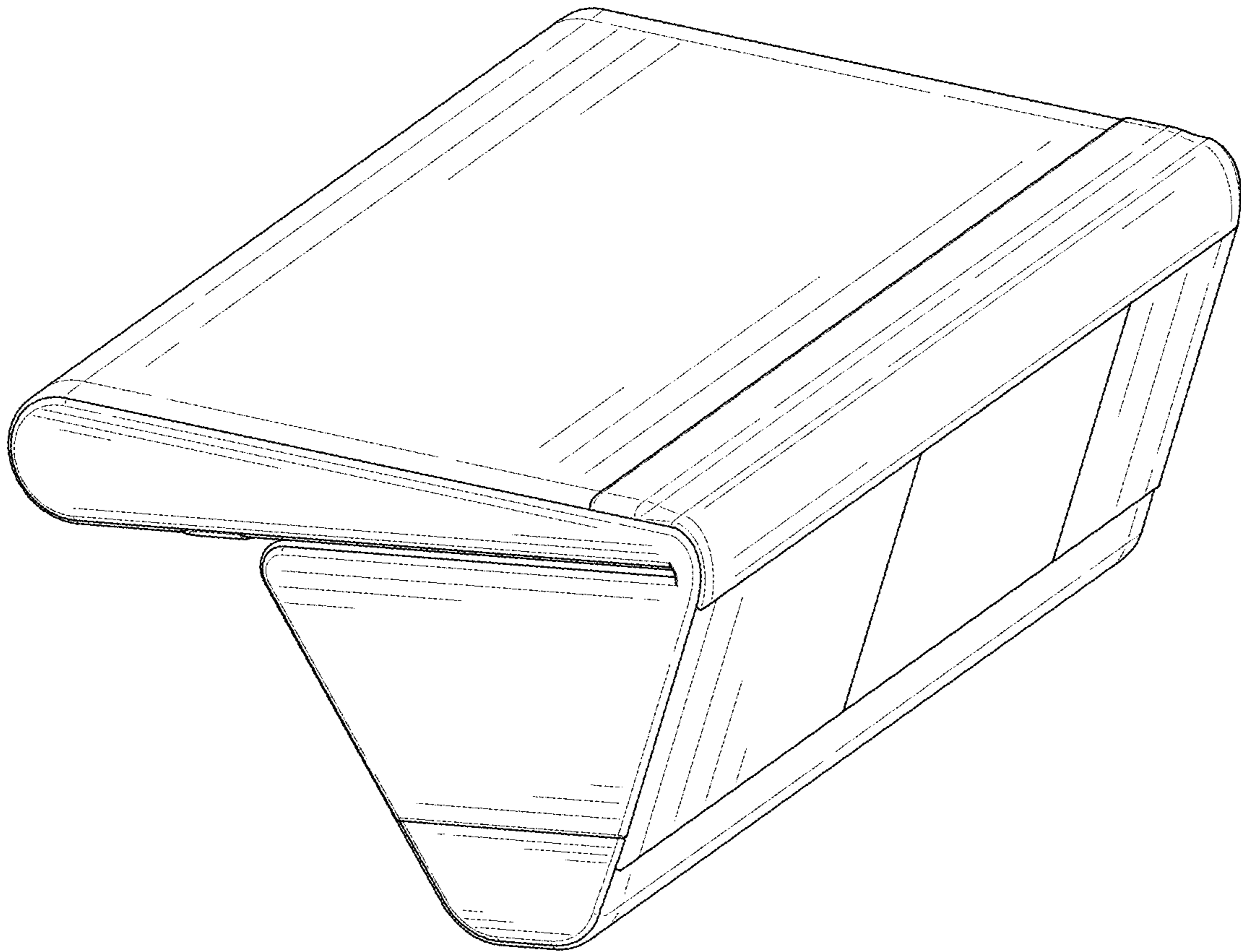


FIG. 11

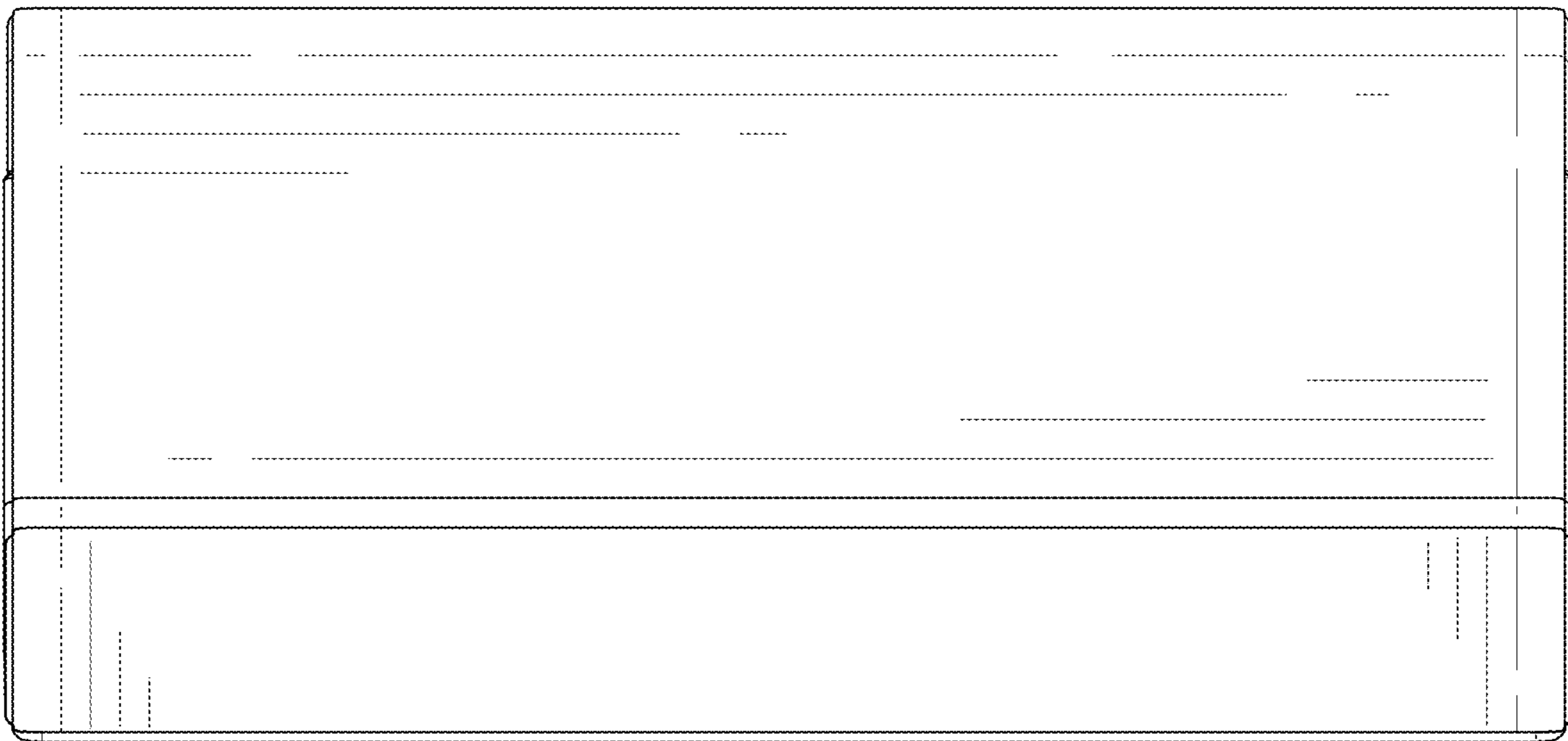


FIG. 12

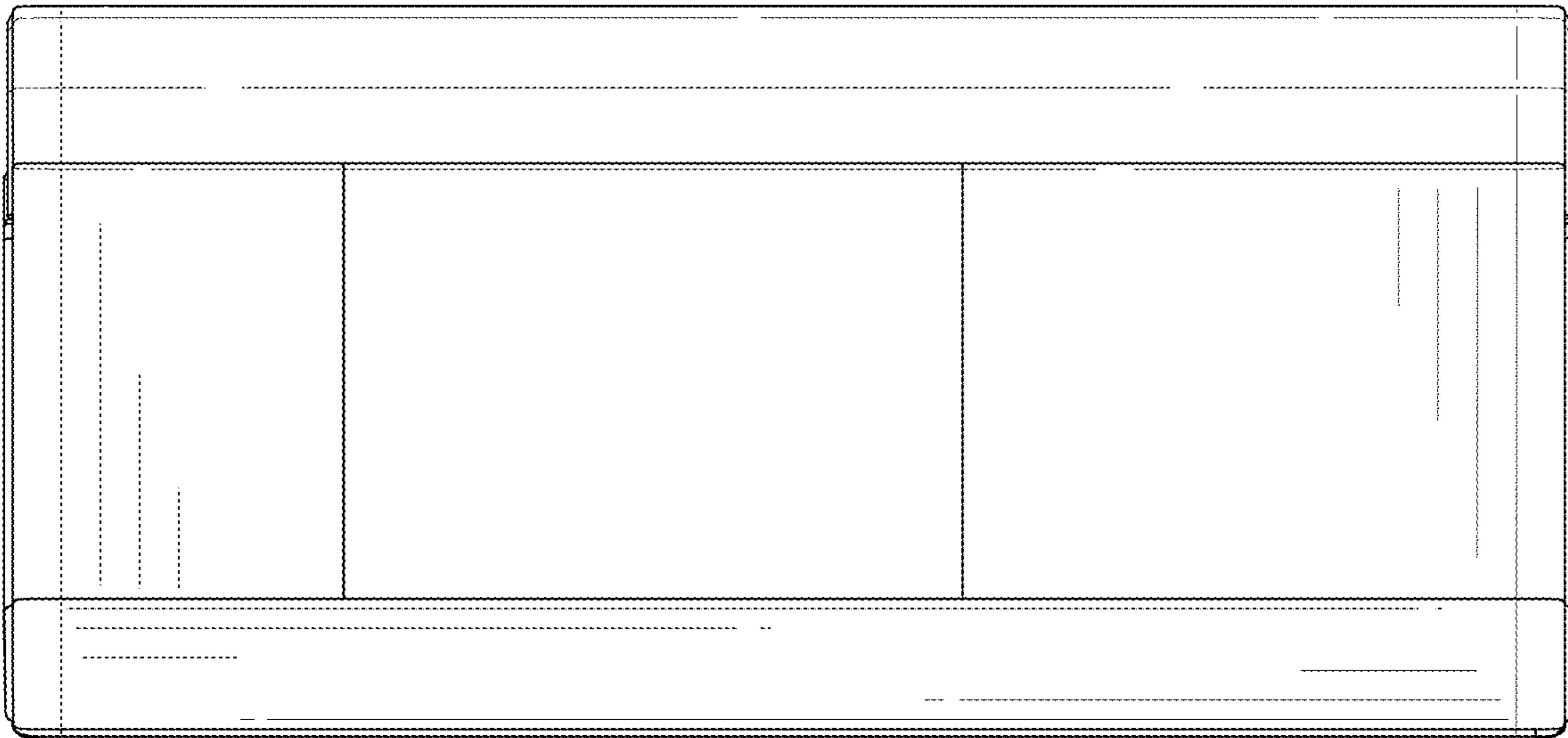


FIG. 13

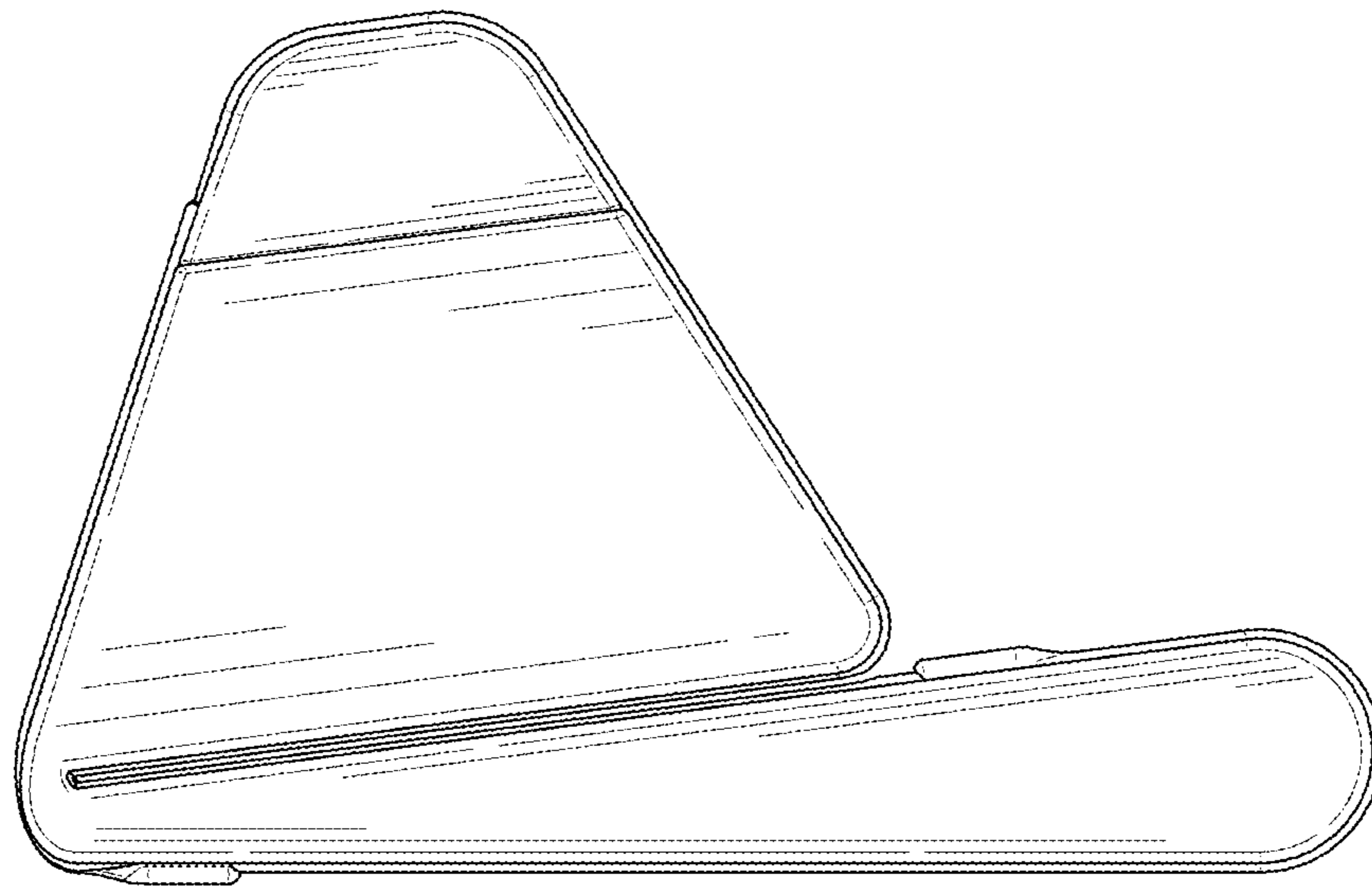


FIG. 14

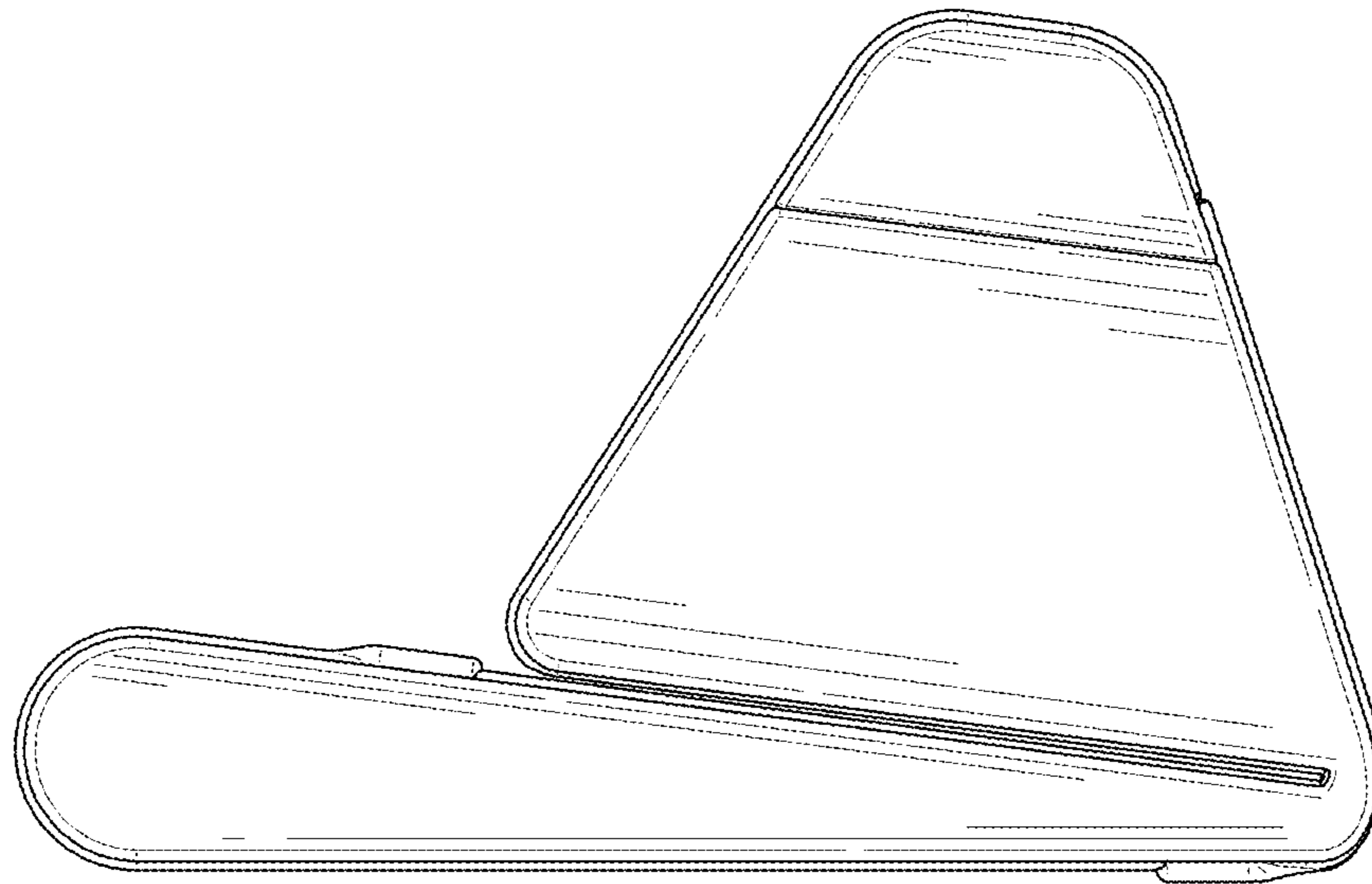


FIG. 15



FIG. 16

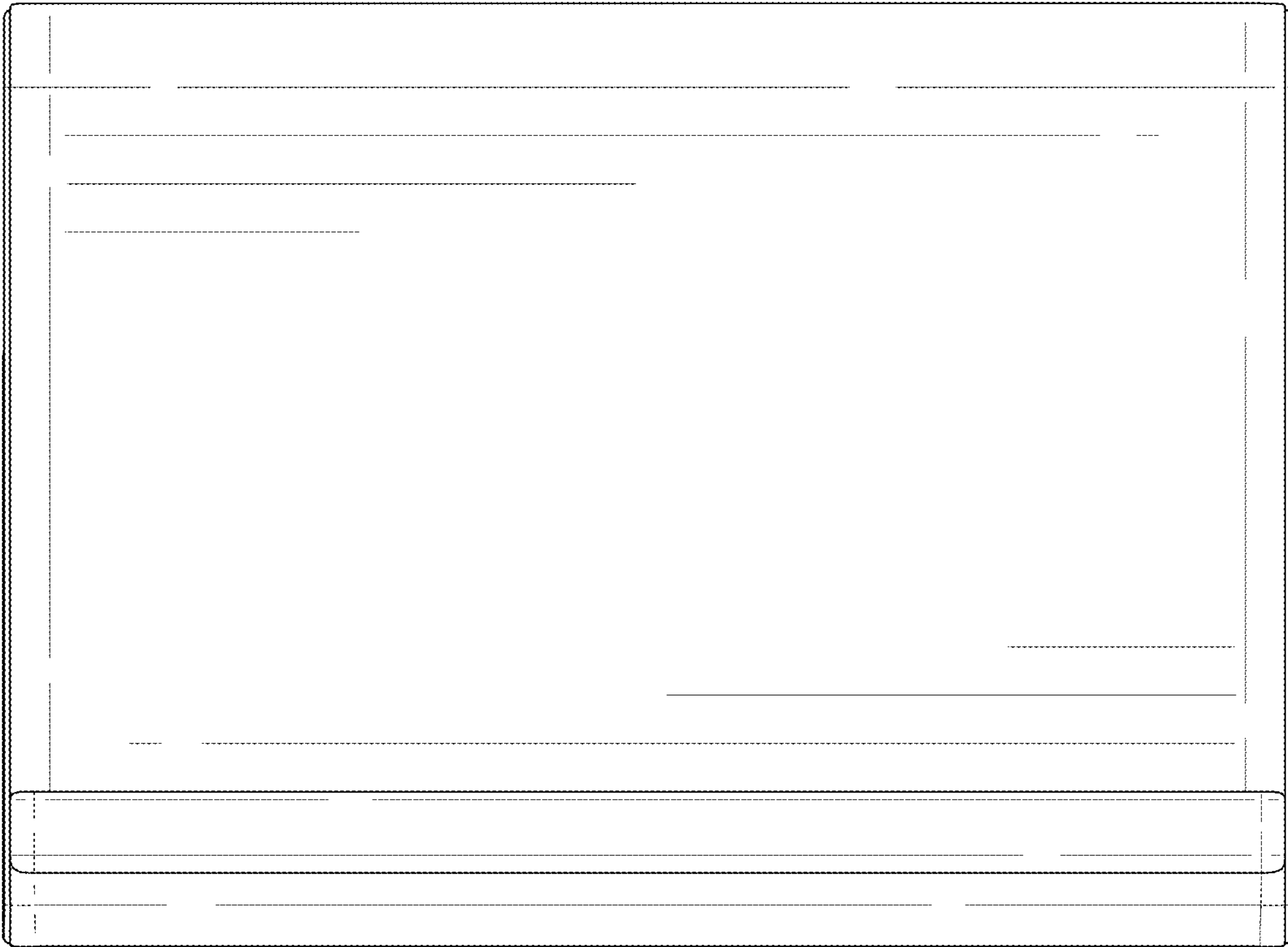


FIG. 17

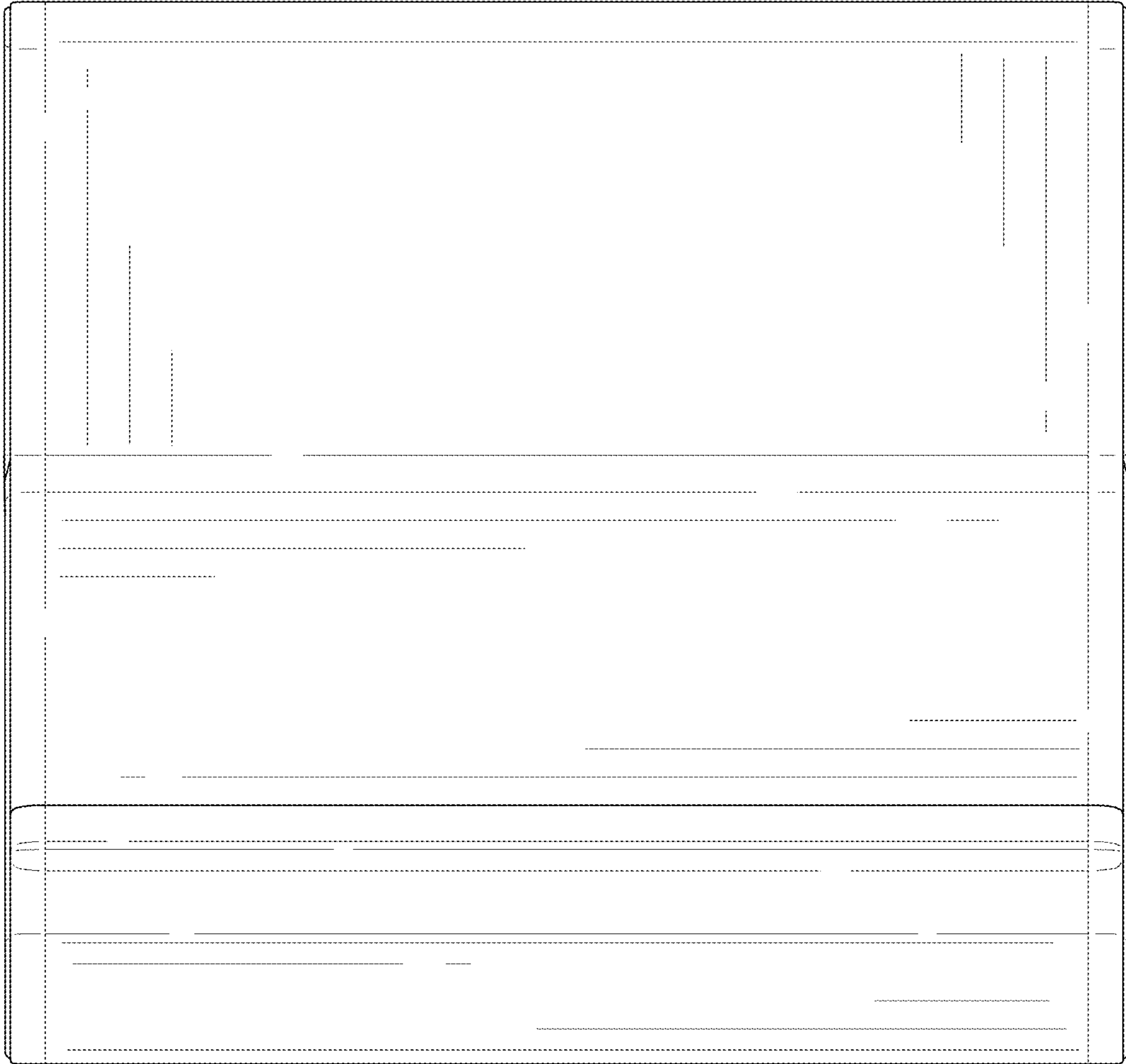


FIG. 18