



US00D879789S

(12) **United States Design Patent**
Li

(10) **Patent No.:** **US D879,789 S**

(45) **Date of Patent:** **** Mar. 31, 2020**

(54) **PROTECTIVE COVER FOR TABLET**

(71) Applicant: **Yong An Li**, Shenzhen (CN)

(72) Inventor: **Yong An Li**, Shenzhen (CN)

(**) Term: **15 Years**

(21) Appl. No.: **29/713,592**

(22) Filed: **Nov. 18, 2019**

(30) **Foreign Application Priority Data**

Nov. 12, 2019 (EM) 007213327-0001

(51) **LOC (12) Cl.** **14-02**

(52) **U.S. Cl.**
USPC **D14/440**

(58) **Field of Classification Search**
USPC D14/440, 250, 447; 206/45.23, 320,
206/45.2; 361/679.55; 294/25; 224/218
CPC ... G06F 1/1628; G06F 1/1626; A47B 23/044;
H04B 1/3888
See application file for complete search history.

(56) **References Cited**

U.S. PATENT DOCUMENTS

D668,661 S	10/2012	Norfolk	
D689,056 S *	9/2013	Li	D14/440
D690,704 S *	10/2013	Padilla	D14/440
D727,917 S *	4/2015	Yeo	D14/440
D784,350 S *	4/2017	Li	D14/440
D807,366 S *	1/2018	Chen	D14/440
D829,720 S *	10/2018	Zhang	D14/440

D834,581 S *	11/2018	Li	D14/440
D835,625 S *	12/2018	Li	D14/440
D837,219 S	1/2019	Gao	
D852,200 S *	6/2019	Chan	D14/440
D860,212 S *	9/2019	Ahn	D14/440
D862,478 S *	10/2019	Ahn	D14/440
D862,479 S *	10/2019	Ahn	D14/440
D863,313 S *	10/2019	Li	D14/440

* cited by examiner

Primary Examiner — Cynthia R Underwood

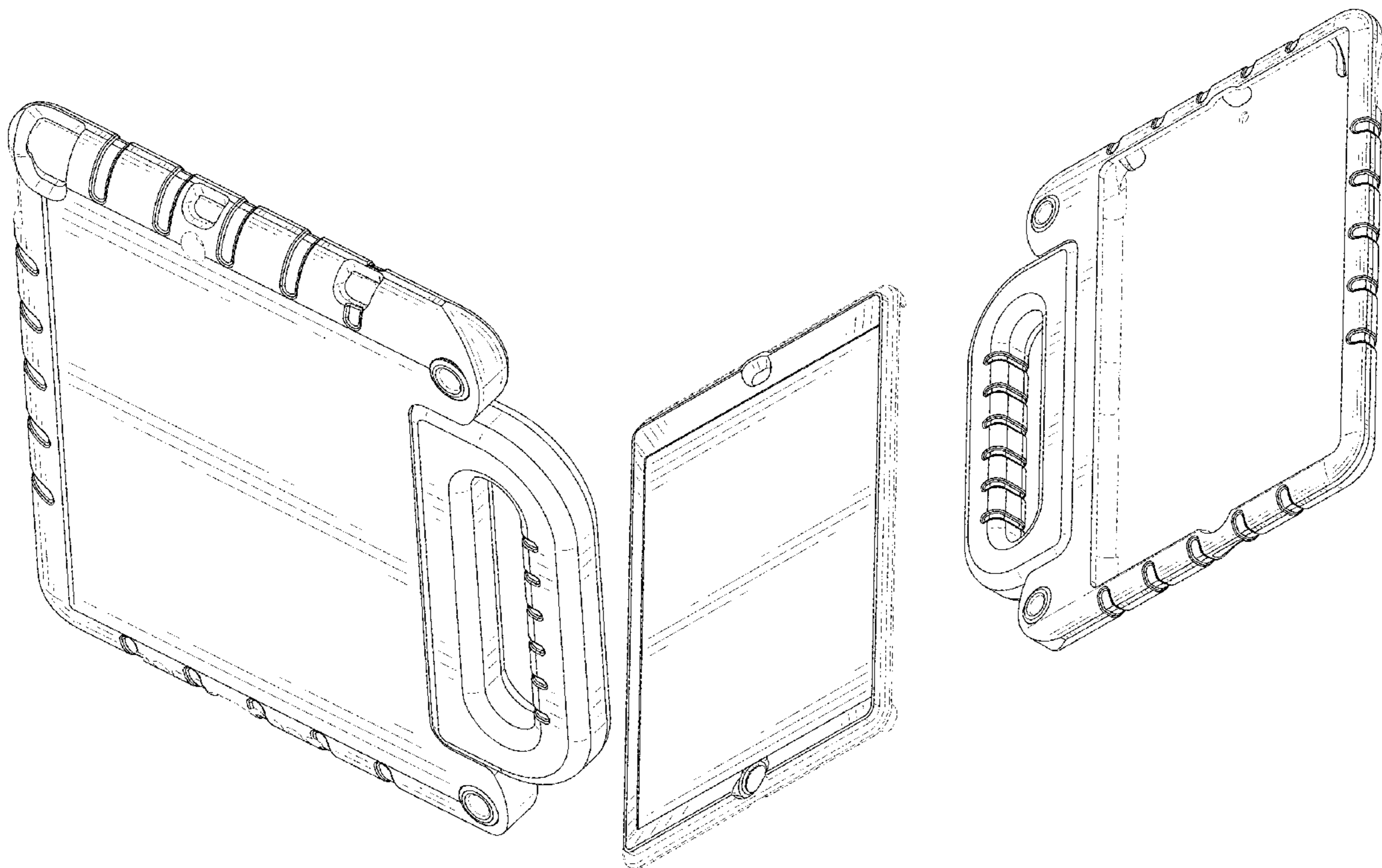
(57) **CLAIM**

The ornamental design for a protective cover for tablet, as shown and described.

DESCRIPTION

FIG. 1 is a perspective view of a protective cover for tablet showing my new design;
 FIG. 2 is another perspective thereof;
 FIG. 3 is a front elevational view thereof;
 FIG. 4 is a rear elevational view thereof;
 FIG. 5 is a left side elevational view thereof;
 FIG. 6 is a right side elevational view thereof;
 FIG. 7 is a top plan view thereof;
 FIG. 8 is a bottom plan view thereof;
 FIG. 9 is a perspective view of the protective cover for tablet where the protective cover for tablet is in a separated state; and,
 FIG. 10 is an enlarged view of portion 10 shown in FIG 1. The broken lines in the drawings depict portions of the protective cover for tablet that form no part of the claimed design.

1 Claim, 10 Drawing Sheets



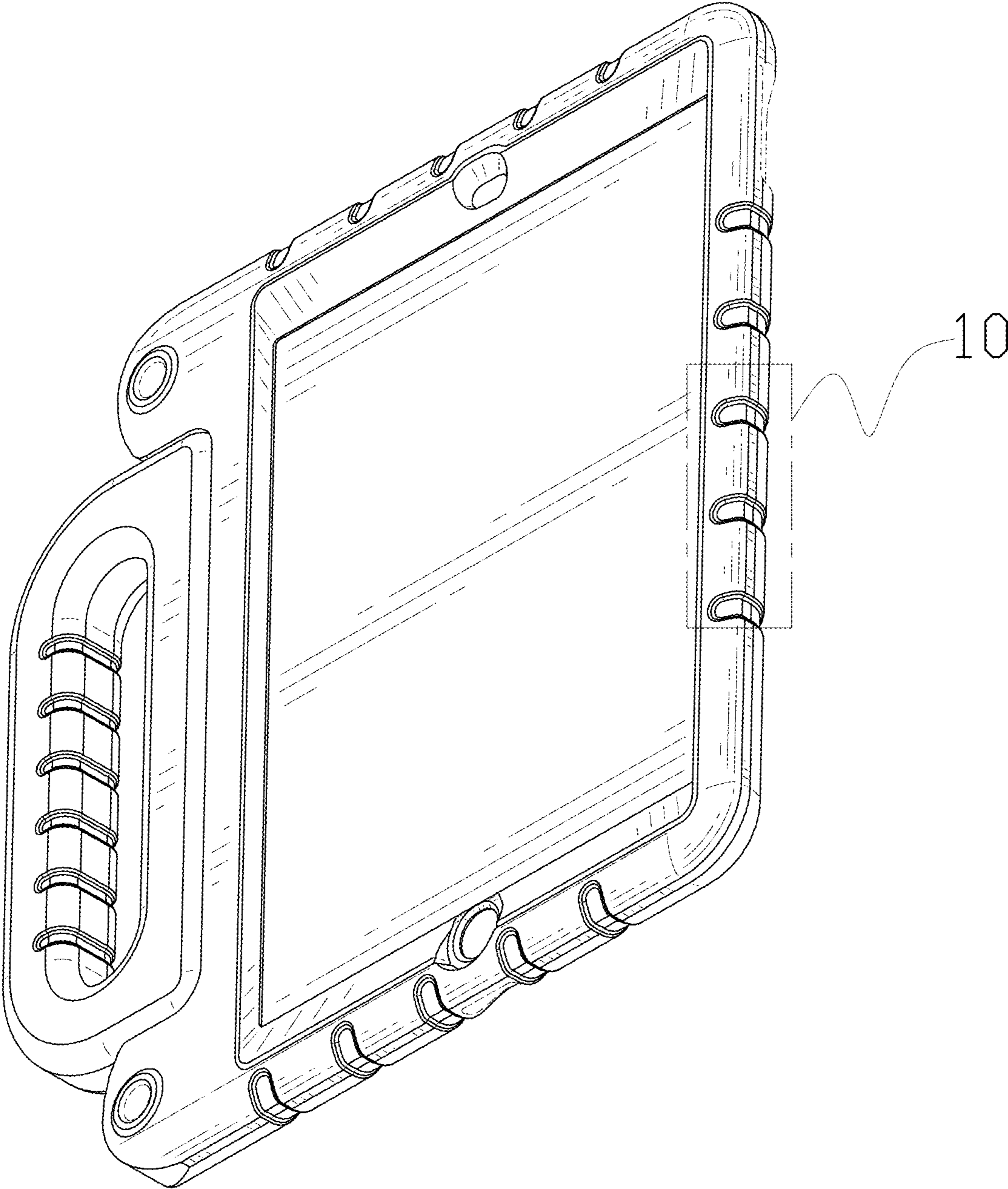


FIG. 1

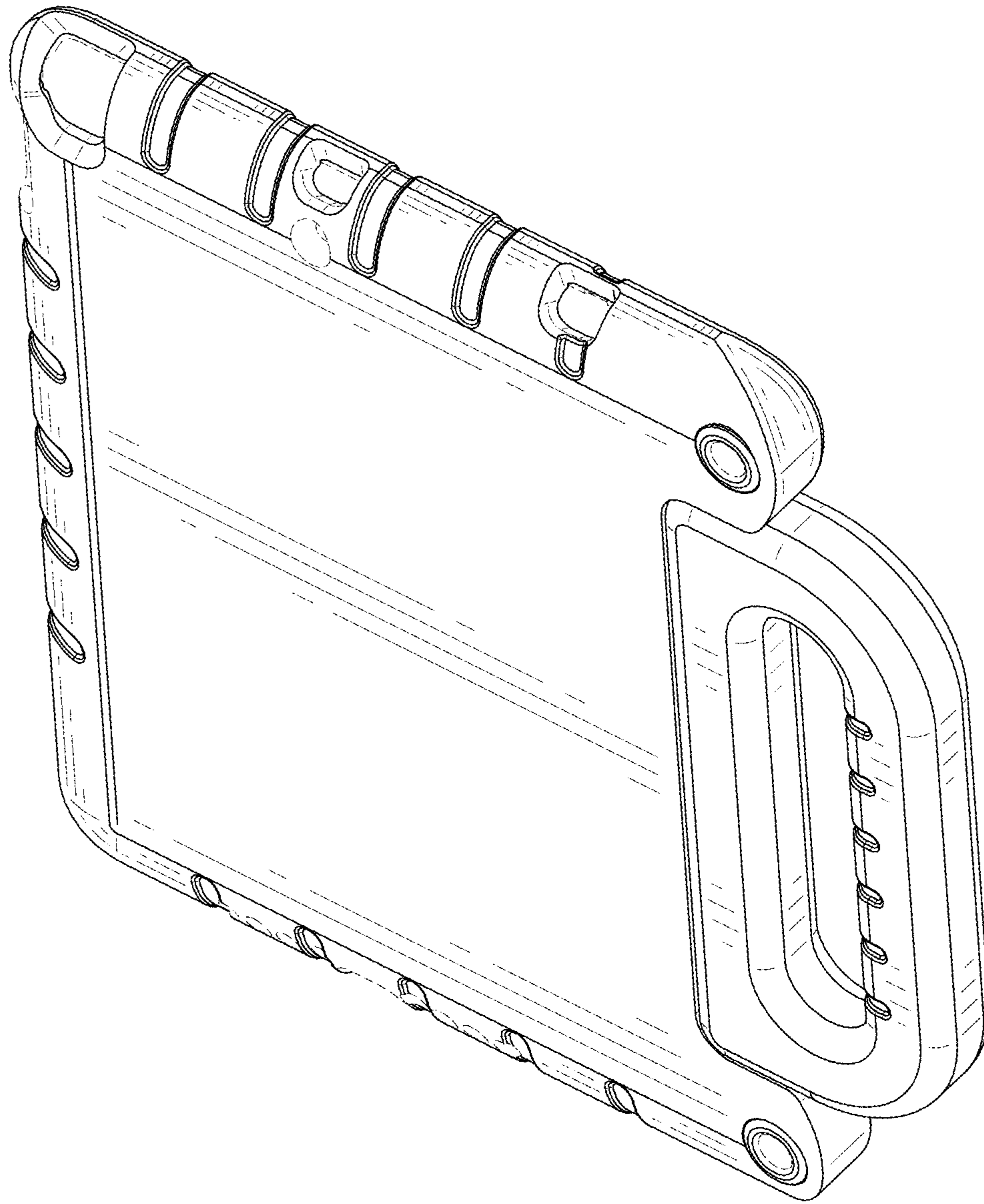


FIG. 2

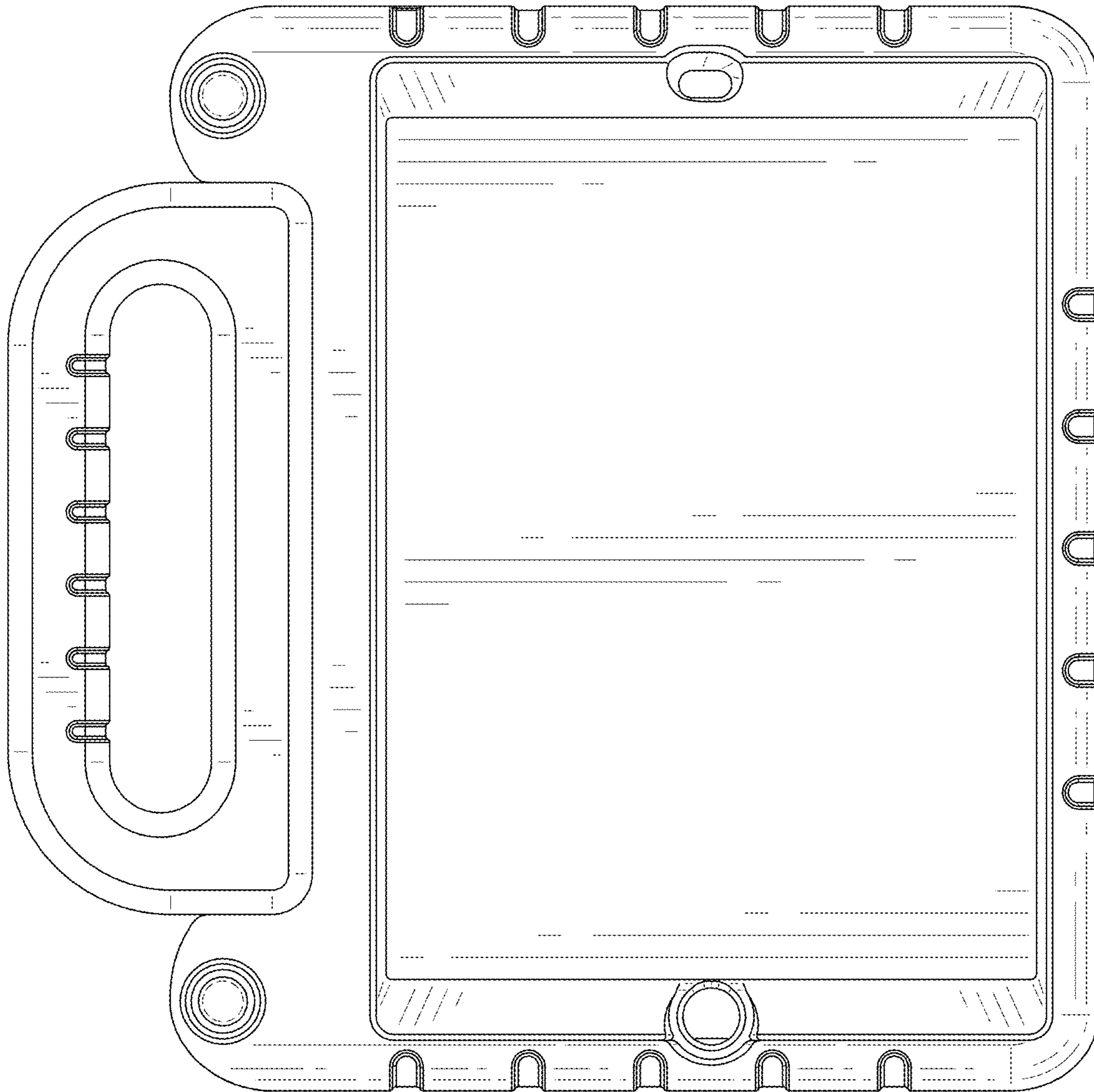


FIG. 3

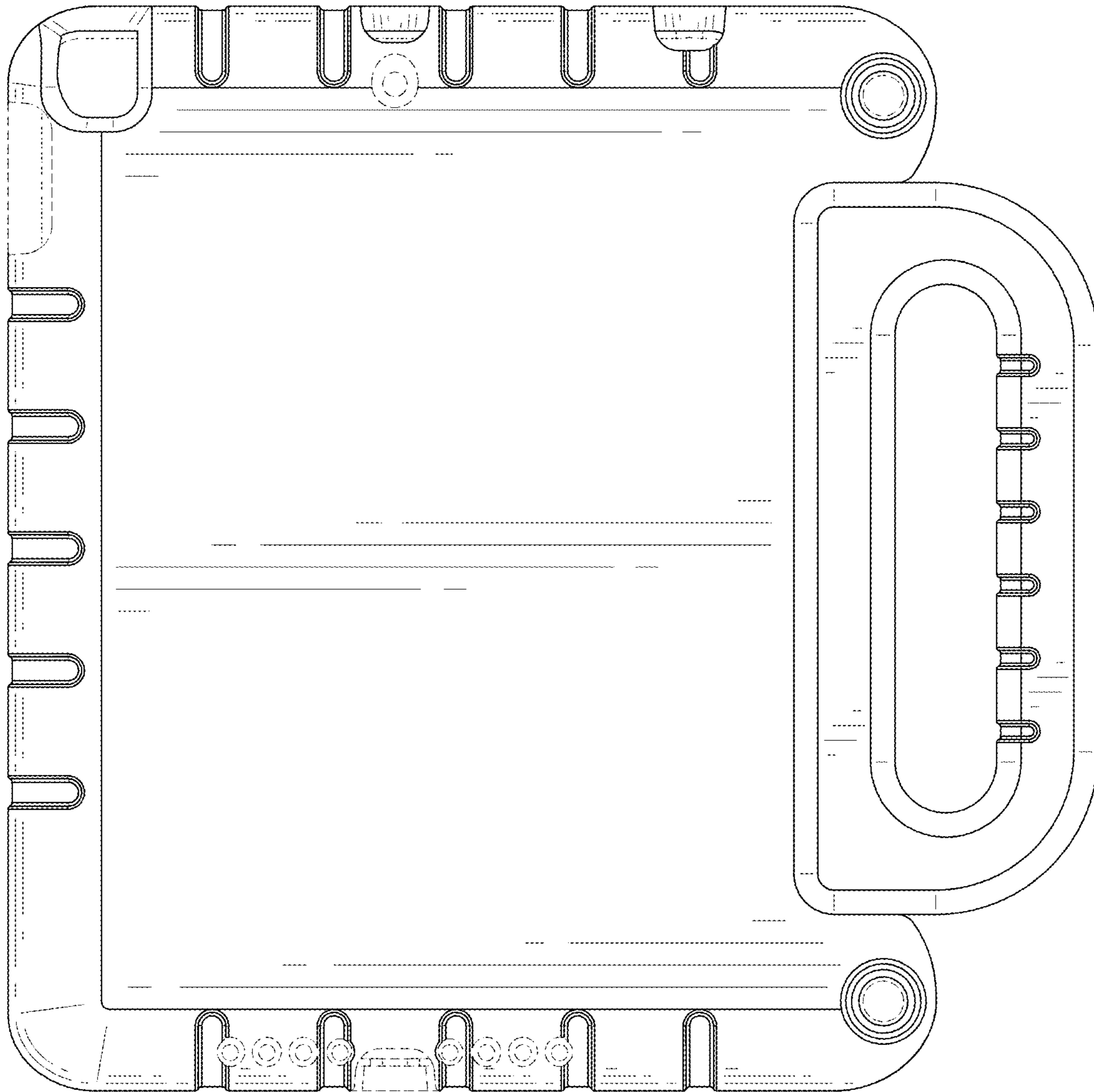


FIG. 4

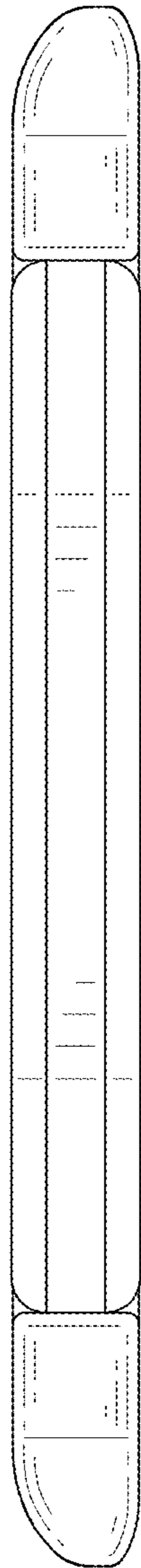


FIG. 5

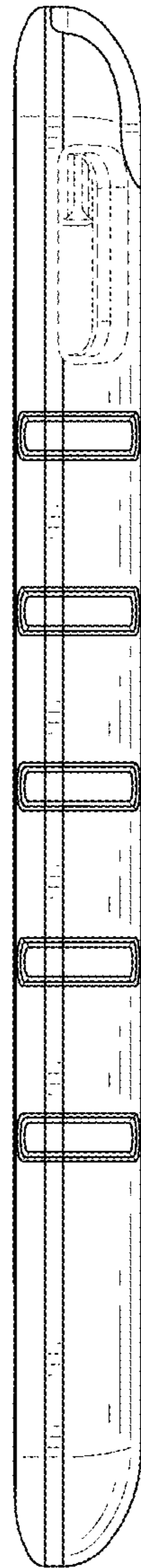


FIG. 6

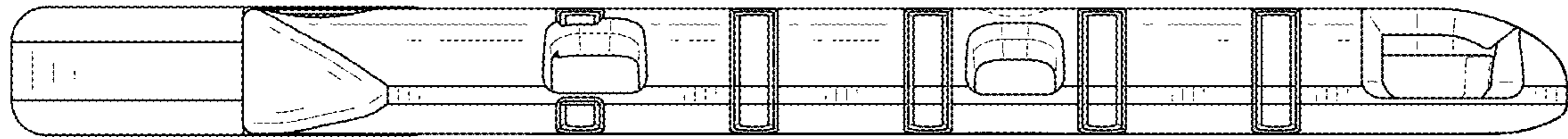


FIG. 7

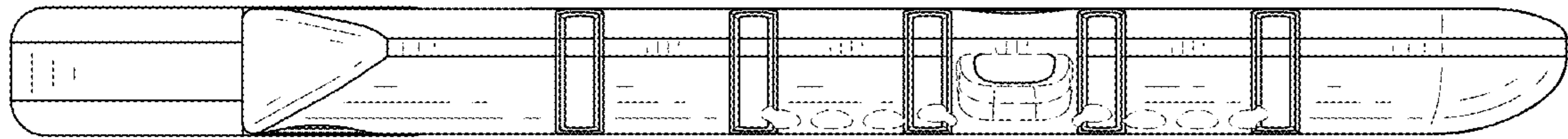


FIG. 8

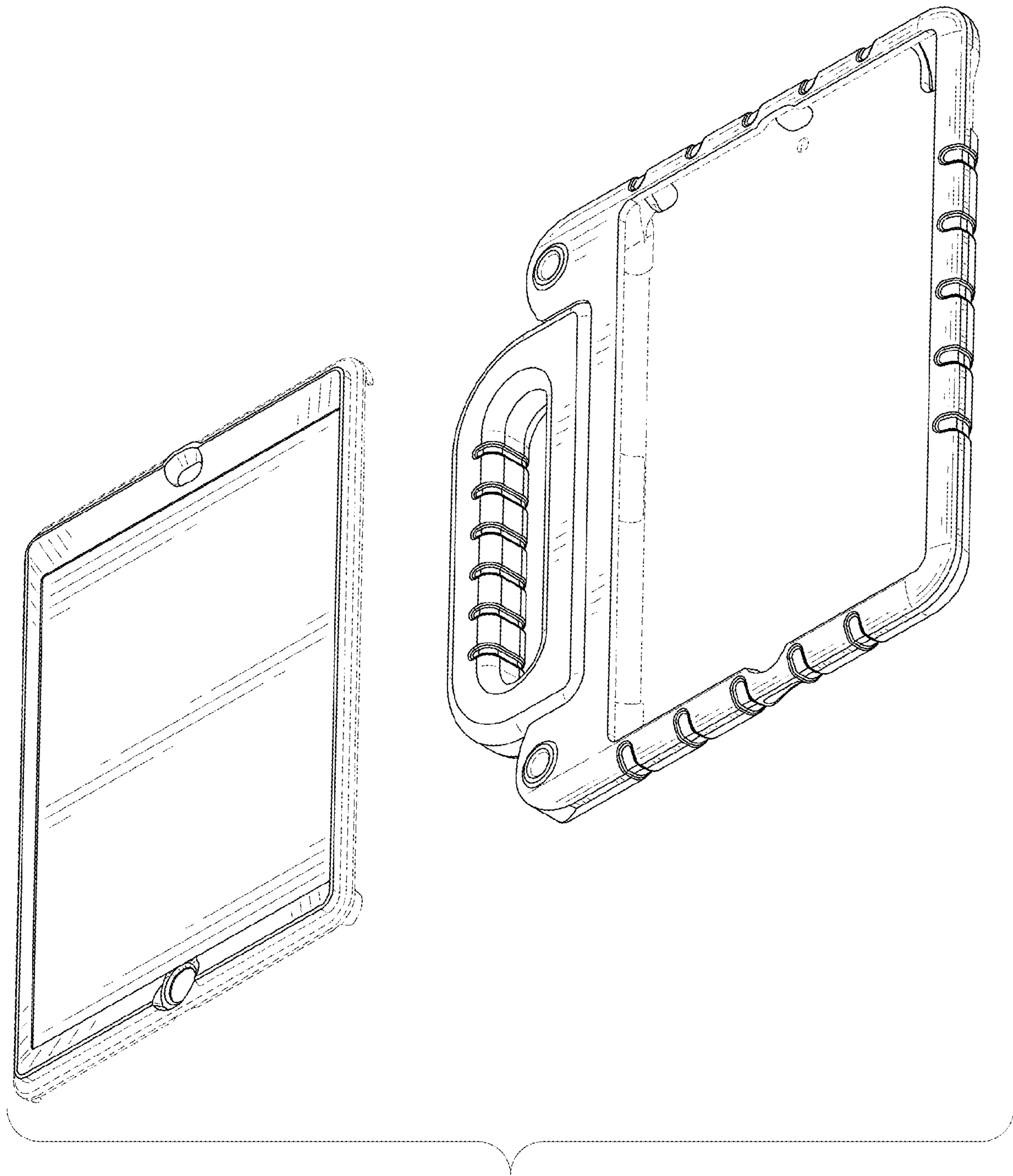


FIG. 9

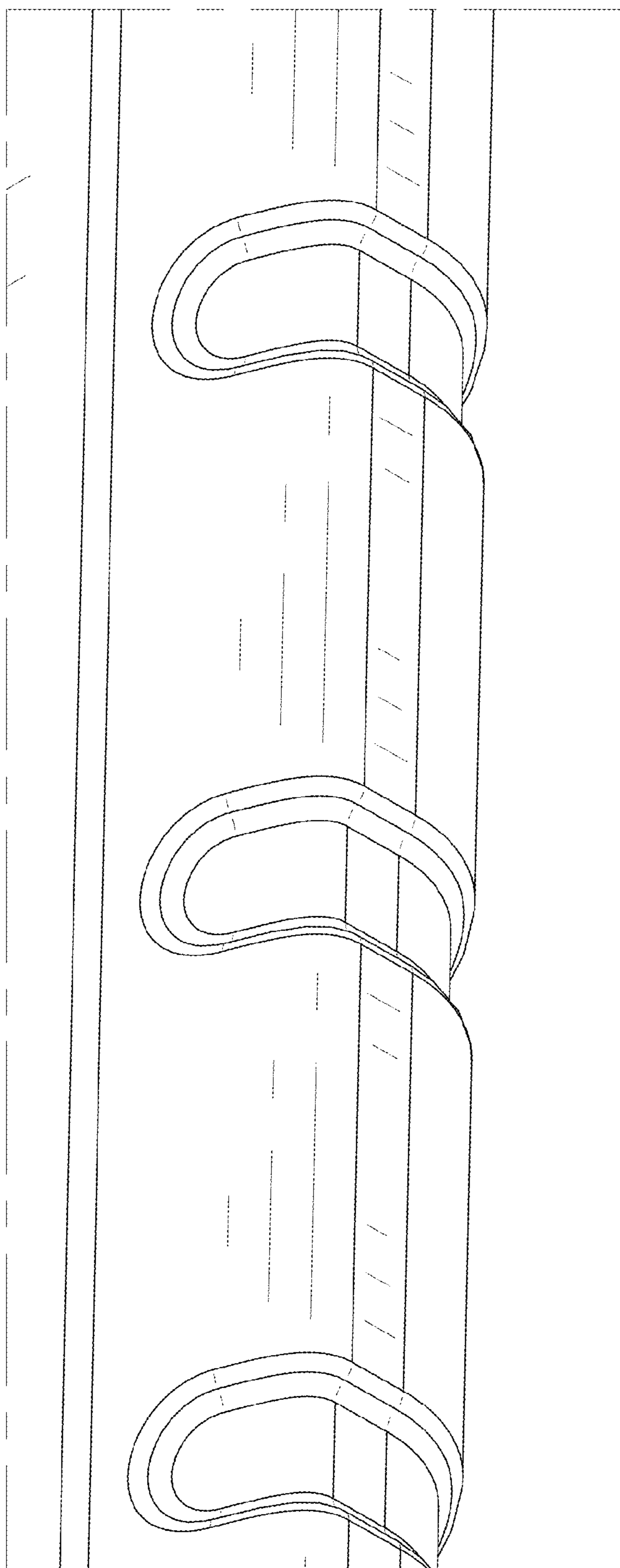


FIG. 10