



US00D879788S

(12) **United States Design Patent**  
**Gao**

(10) **Patent No.:** **US D879,788 S**  
(45) **Date of Patent:** **\*\* Mar. 31, 2020**

(54) **TABLET COVER**

(71) Applicant: **Jiawei Gao**, Shenzhen (CN)

(72) Inventor: **Jiawei Gao**, Shenzhen (CN)

(\*\*) Term: **15 Years**

(21) Appl. No.: **29/711,285**

(22) Filed: **Oct. 30, 2019**

(51) **LOC (12) Cl.** ..... **14-02**

(52) **U.S. Cl.**  
USPC ..... **D14/440**

(58) **Field of Classification Search**  
USPC ..... 206/320; D14/440, 447, 250;  
361/679.55; 294/25; 224/218  
See application file for complete search history.

(56) **References Cited**

**U.S. PATENT DOCUMENTS**

6,726,070	B2 *	4/2004	Lautner	.....	A44C 5/0007	224/221
D709,510	S	7/2014	Soare			
D721,376	S *	1/2015	Lee	.....	D14/440	
D747,321	S *	1/2016	London	.....	D14/440	
D749,592	S *	2/2016	Huang	.....	D14/440	
D806,083	S *	12/2017	Armstrong	.....	D14/440	
D811,412	S *	2/2018	McCurdy	.....	D14/440	
D817,316	S *	5/2018	Srour	.....	D14/251	
D837,219	S *	1/2019	Gao	.....	D14/440	
D852,802	S *	7/2019	Gao	.....	D14/440	
2004/0226973	A1 *	11/2004	Kao	.....	F16M 11/041	224/218
2007/0215512	A1 *	9/2007	Bellissimo	.....	A47G 23/0625	206/557

2009/0219677	A1 *	9/2009	Mori	.....	A45F 3/14	361/679.03
2011/0267748	A1 *	11/2011	Lane	.....	A45F 5/00	361/679.01
2011/0309117	A1 *	12/2011	Roberts	.....	A45F 5/00	224/217
2012/0091312	A1 *	4/2012	Baker	.....	F16M 13/00	248/682
2014/0054910	A1 *	2/2014	Kim	.....	H04B 1/385	294/158
2014/0152034	A1 *	6/2014	Tussy	.....	F16M 13/04	294/142
2015/0009610	A1 *	1/2015	London	.....	G06F 1/163	361/679.03

\* cited by examiner

*Primary Examiner* — Cynthia R Underwood

(74) *Attorney, Agent, or Firm* — Jie Yang; ZanIP

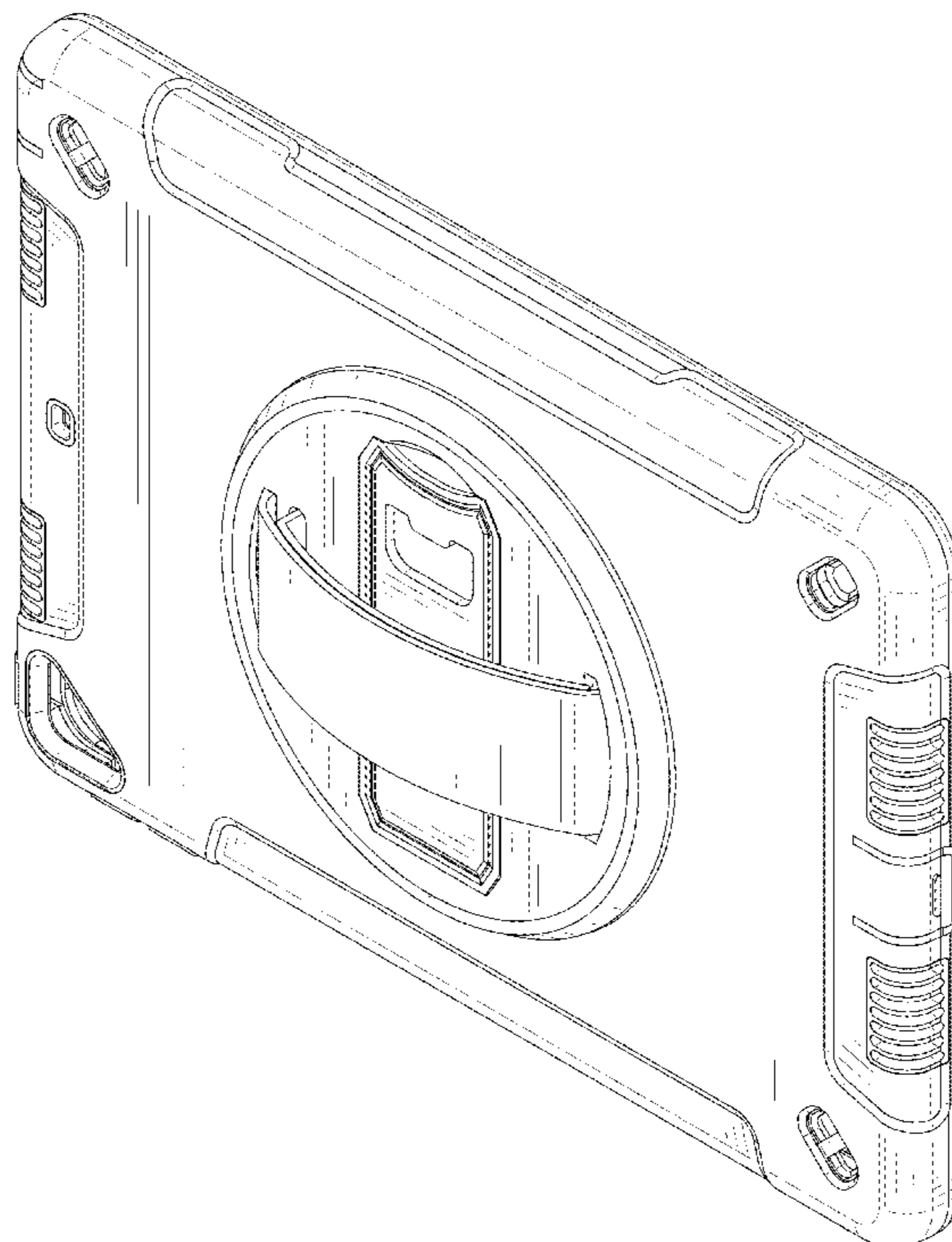
(57) **CLAIM**

The ornamental design for a tablet cover, as shown and described.

**DESCRIPTION**

FIG. 1 is a front perspective view of a tablet cover, showing my new design;  
FIG. 2 is a rear perspective view thereof;  
FIG. 3 is a front elevational view thereof;  
FIG. 4 is a rear elevational view thereof;  
FIG. 5 is a left side elevational view thereof;  
FIG. 6 is a right side elevational view thereof;  
FIG. 7 is a top plan view thereof; and,  
FIG. 8 is a bottom plan view thereof.  
The broken lines in the figures illustrate portions of the tablet cover that form no part of the claimed design.

**1 Claim, 8 Drawing Sheets**



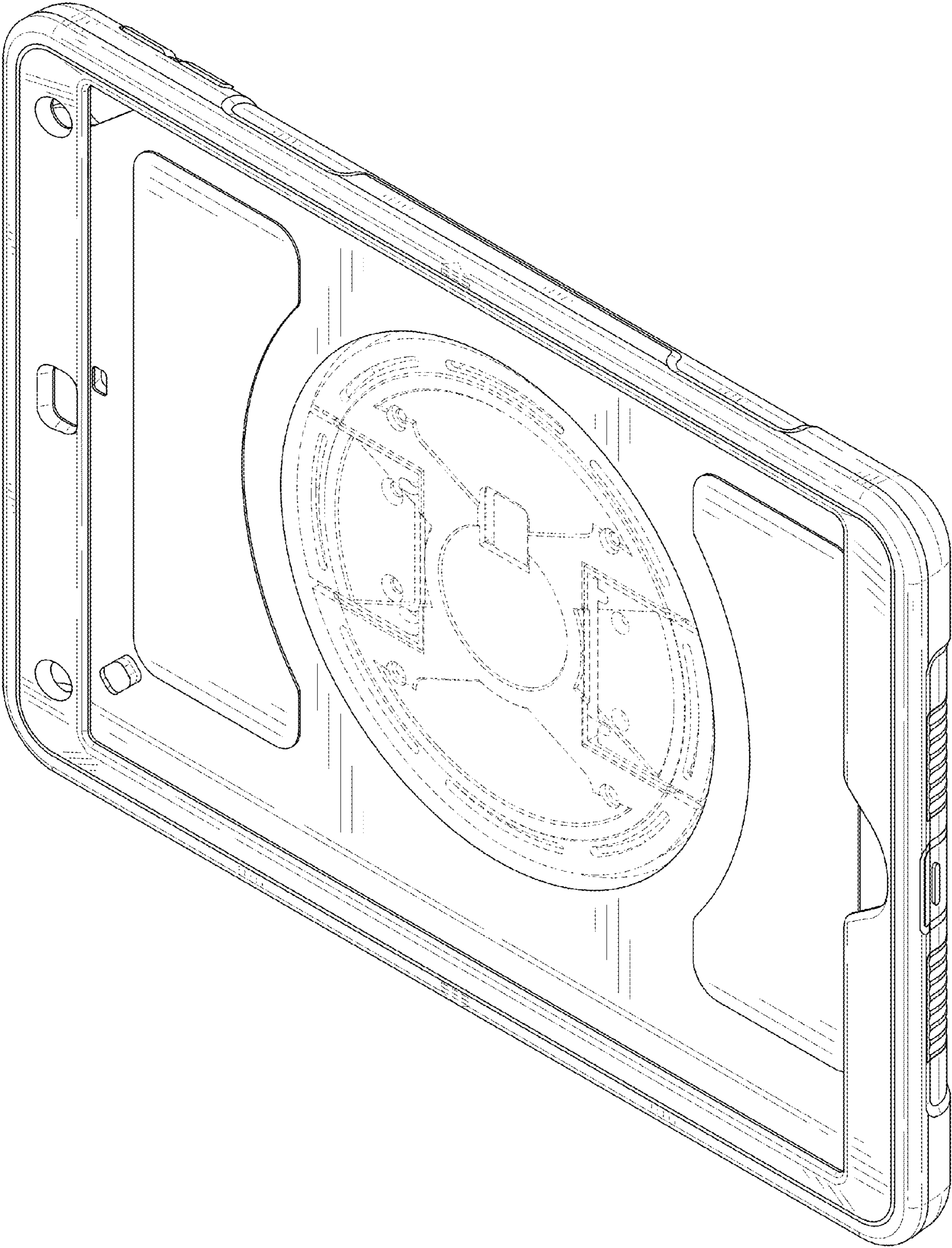


FIG. 1

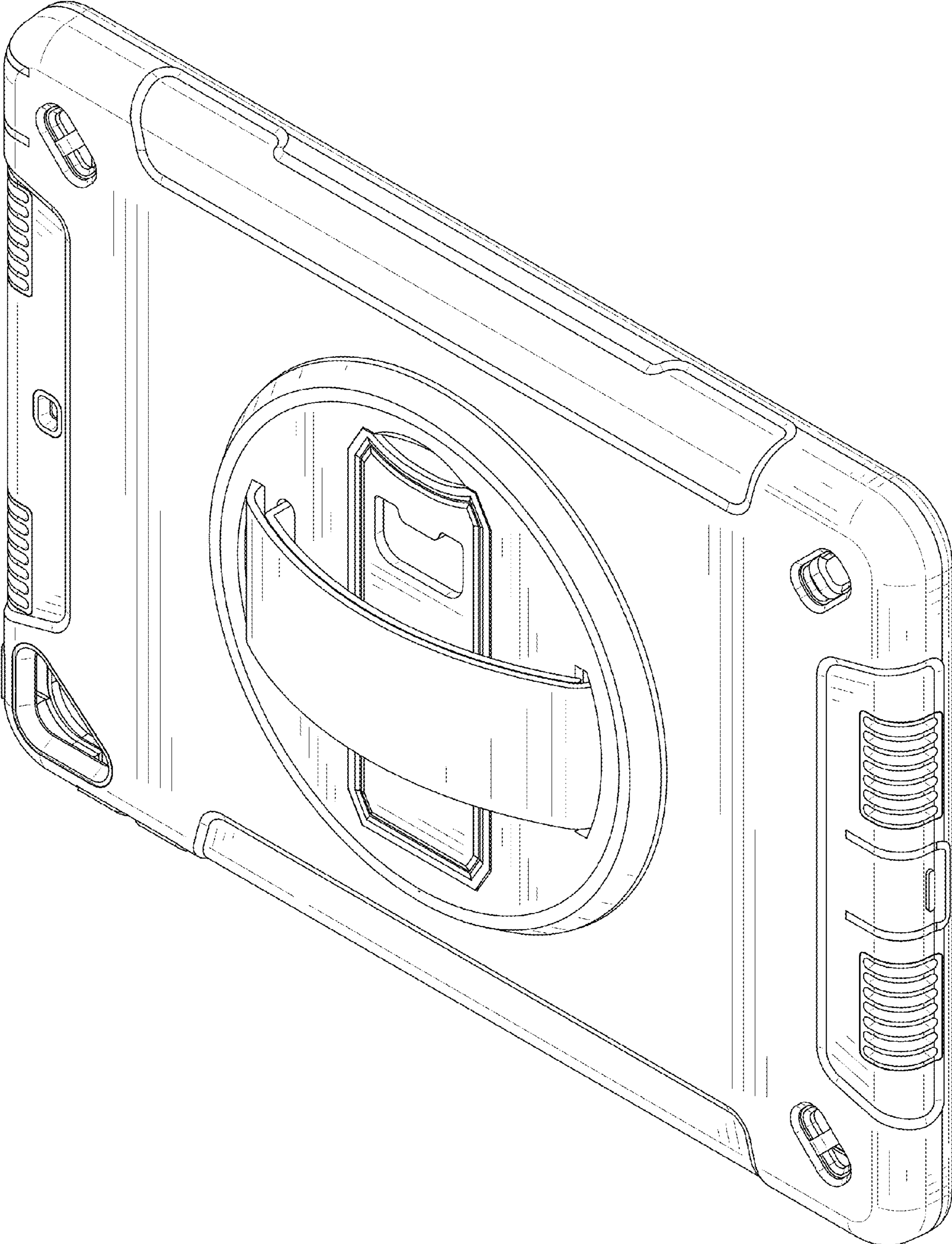


FIG. 2

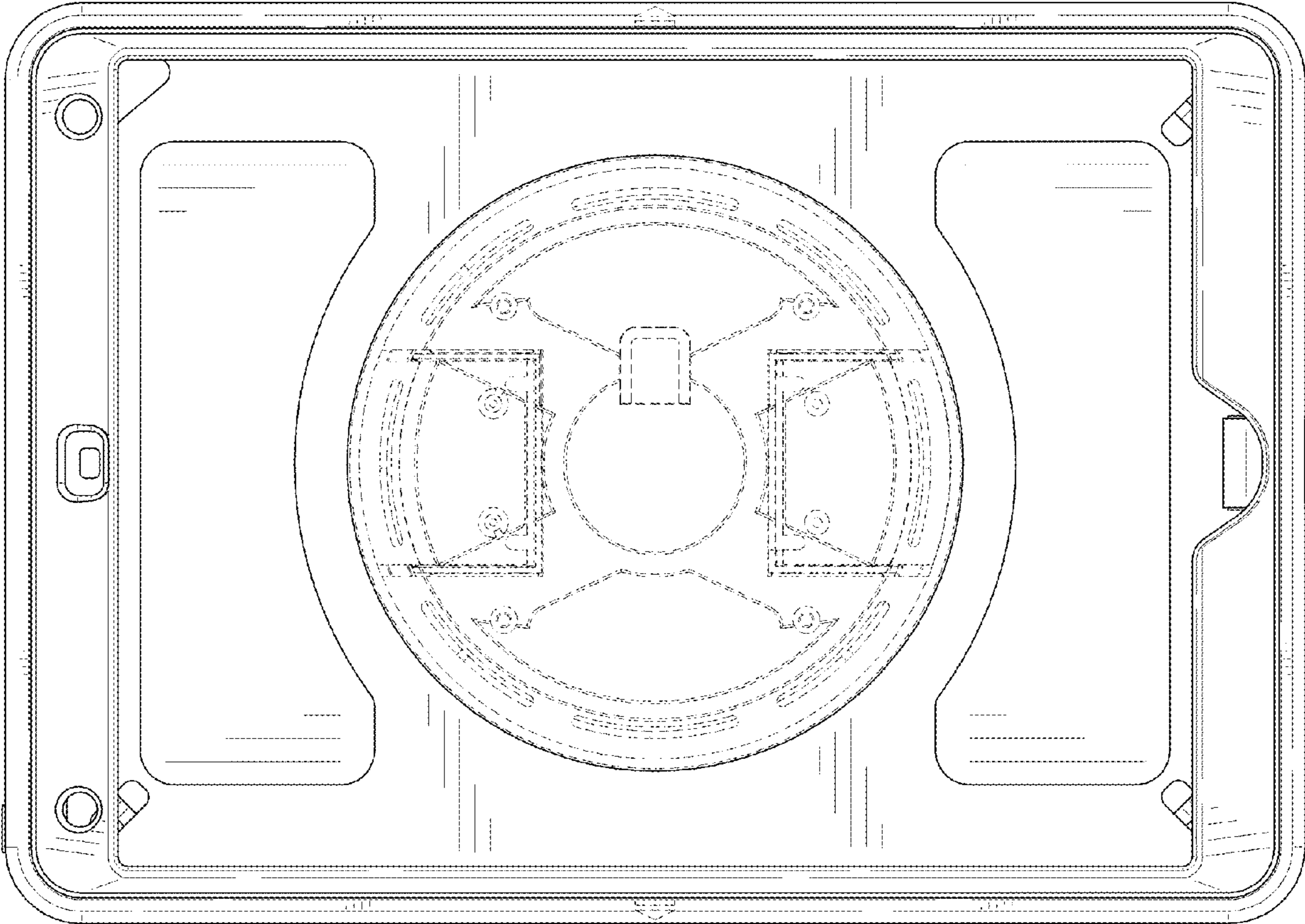


FIG. 3

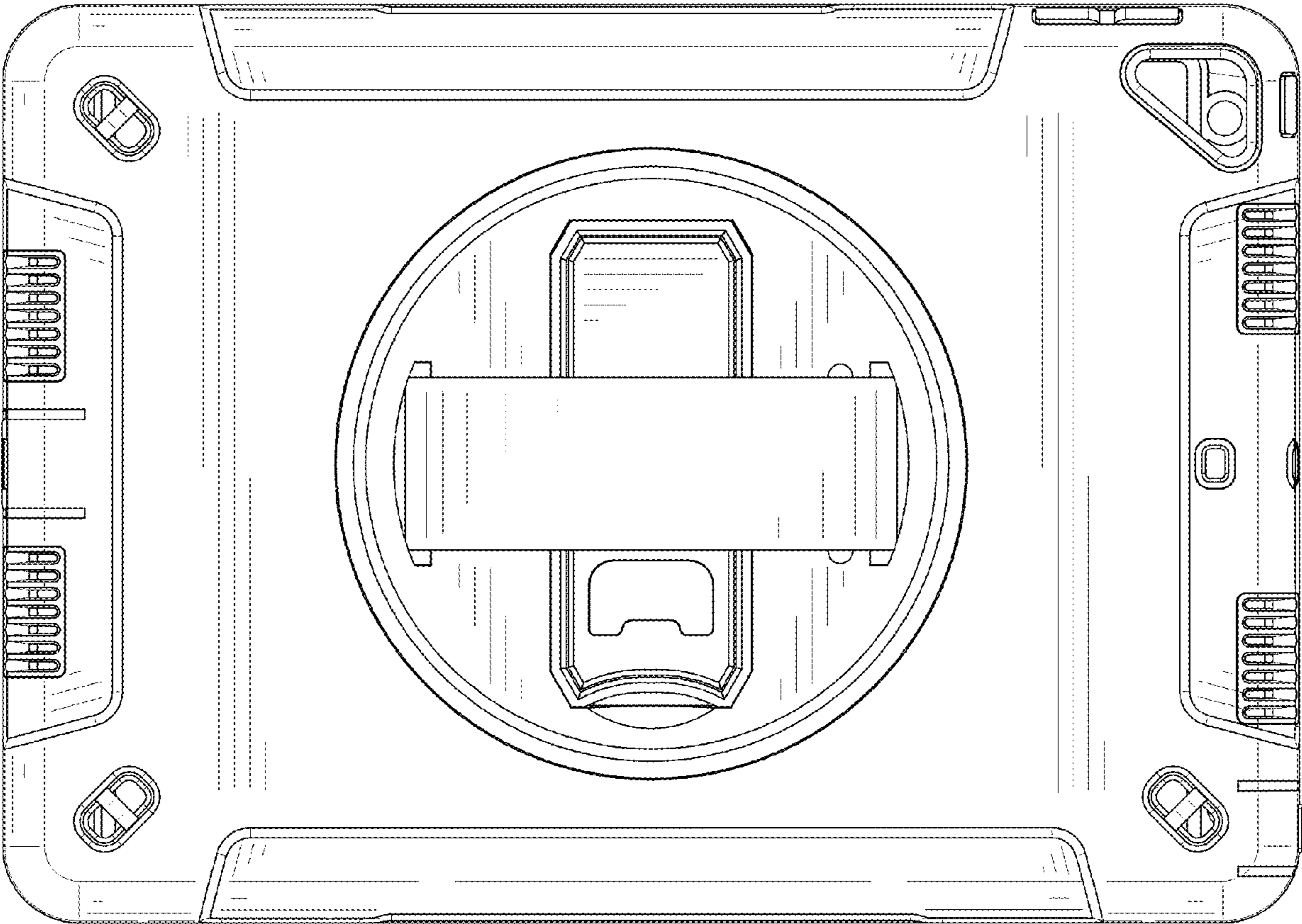


FIG. 4

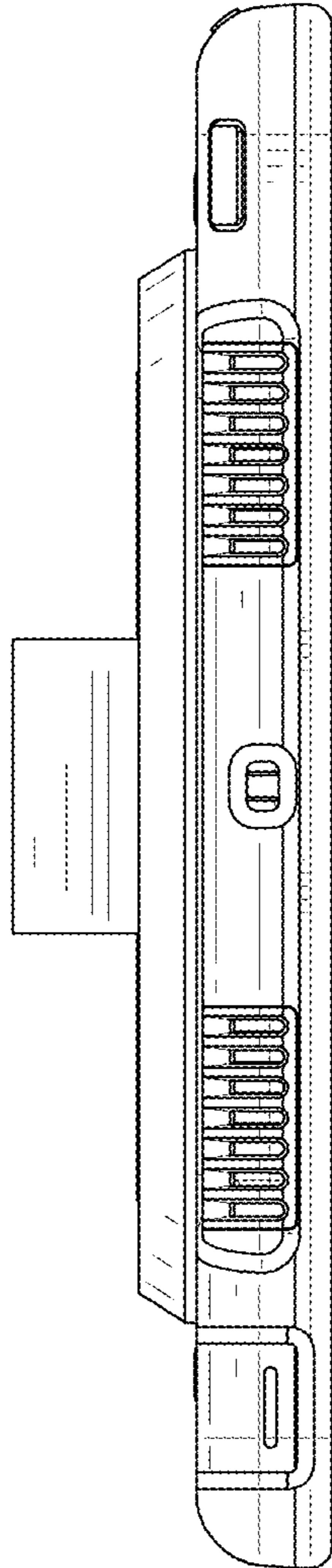


FIG. 5

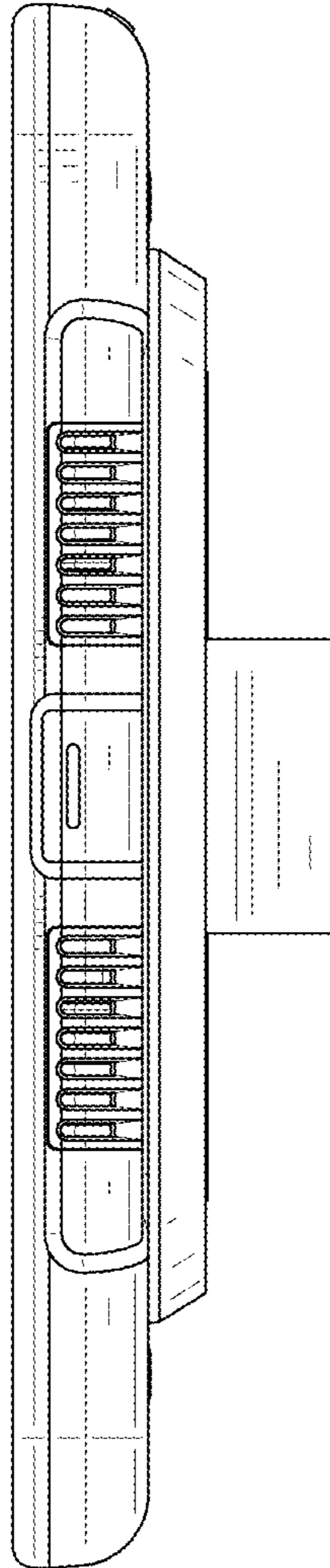


FIG. 6

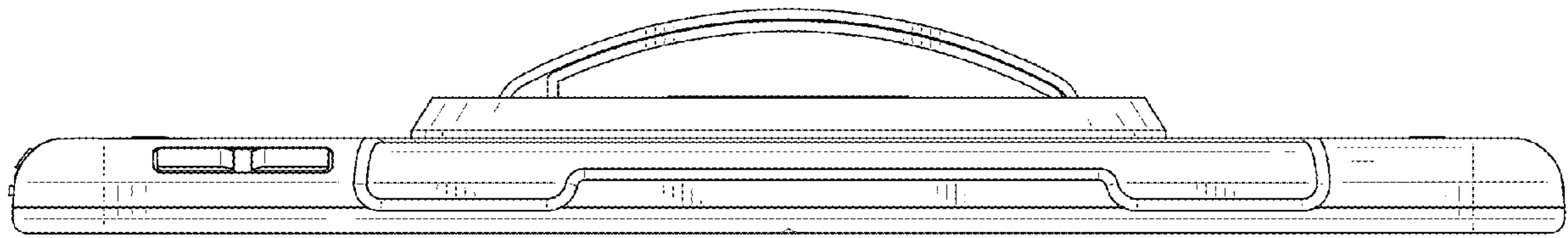


FIG. 7



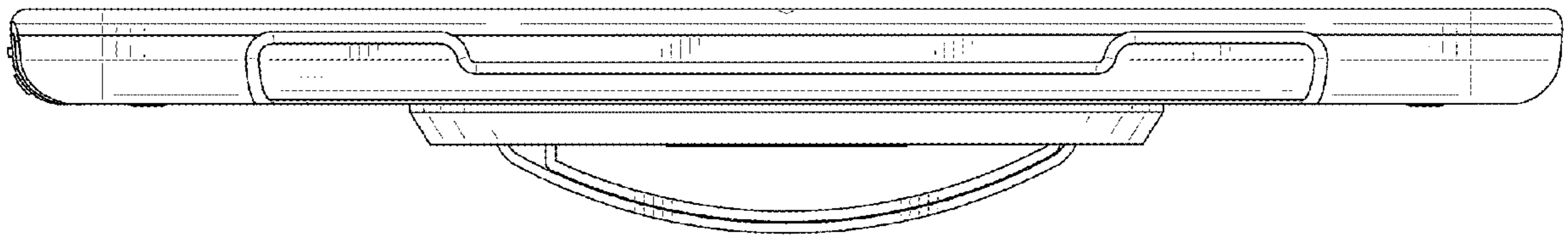


FIG. 8