



US00D879787S

(12) **United States Design Patent**  
**Luo**

(10) **Patent No.:** **US D879,787 S**  
(45) **Date of Patent:** **\*\* Mar. 31, 2020**

(54) **DATA PROCESSING EQUIPMENT**

(71) Applicant: **HANGZHOU CHIPJET TECHNOLOGY CO., LTD.**, Hangzhou, Zhejiang (CN)

(72) Inventor: **Shan Luo**, Hangzhou (CN)

(73) Assignee: **HANGZHOU CHIPJET TECHNOLOGY CO., LTD.**, Hangzhou (CN)

(\*\*) Term: **15 Years**

(21) Appl. No.: **29/636,410**

(22) Filed: **Feb. 8, 2018**

(30) **Foreign Application Priority Data**

Nov. 21, 2017 (CN) ..... 2017 3 0575919

(51) **LOC (12) Cl.** ..... **14-02**

(52) **U.S. Cl.**  
USPC ..... **D14/435**; D14/436; D13/182

(58) **Field of Classification Search**  
USPC ..... 439/946, 948, 159, 77; 174/250, 260, 174/52.1, 52.2, 16.1, 16.3; 710/300–303; 438/121; 376/191; 165/185, 80.2; 711/104, 164; 365/191, 51, 200, 201, 365/230.1, 230.03, 233.11, 212.63; 714/733, 744, 763, 718, 723, 766, 6.13, 714/773; 360/69, 97.02, 53; 361/679.33–679.45, 732, 737, 752, 736, 361/728, 796, 797, 729, 730, 725–727, 361/749, 760, 784, 789, 771, 792, 764, 361/765, 704, 715, 710, 711, 719, 767, 361/785, 803; 400/412, 713–715; 428/137–138, 140, 304.4, 457; 442/9; 257/678, 679, 693, E23.064, 734, 713, 257/718, 719, E25.023, E21.705, 257/E23.098, E23.177; 235/441, 443, 235/487, 492, 493, 495, 380; D18/1, 7,

D18/9, 11; D13/103, 119, 162, 184, 199, D13/182; D14/110, 114, 125, 240, 242, D14/299–302, 314, 348–370, 435–438, D14/496, 478–480  
CPC ..... G06K 19/06196; G06K 19/072; G06K 19/0721; G06K 19/0722; G06K 19/1723; G06K 19/0724; G06K 19/0725; G06K 19/0726; G06K 19/0727; G06K 19/0728; G06K 19/073; G06K 19/07309; G06K 19/077; G06K 19/07701; G06K 19/07715;

(Continued)

(56) **References Cited**

U.S. PATENT DOCUMENTS

5,945,725 A \* 8/1999 Ishikawa ..... C30B 25/18 257/531  
D487,430 S \* 3/2004 Asaka ..... D13/182

(Continued)

*Primary Examiner* — Susan Moon Lee

(74) *Attorney, Agent, or Firm* — Westerman, Hattori, Daniels & Adrian, LLP

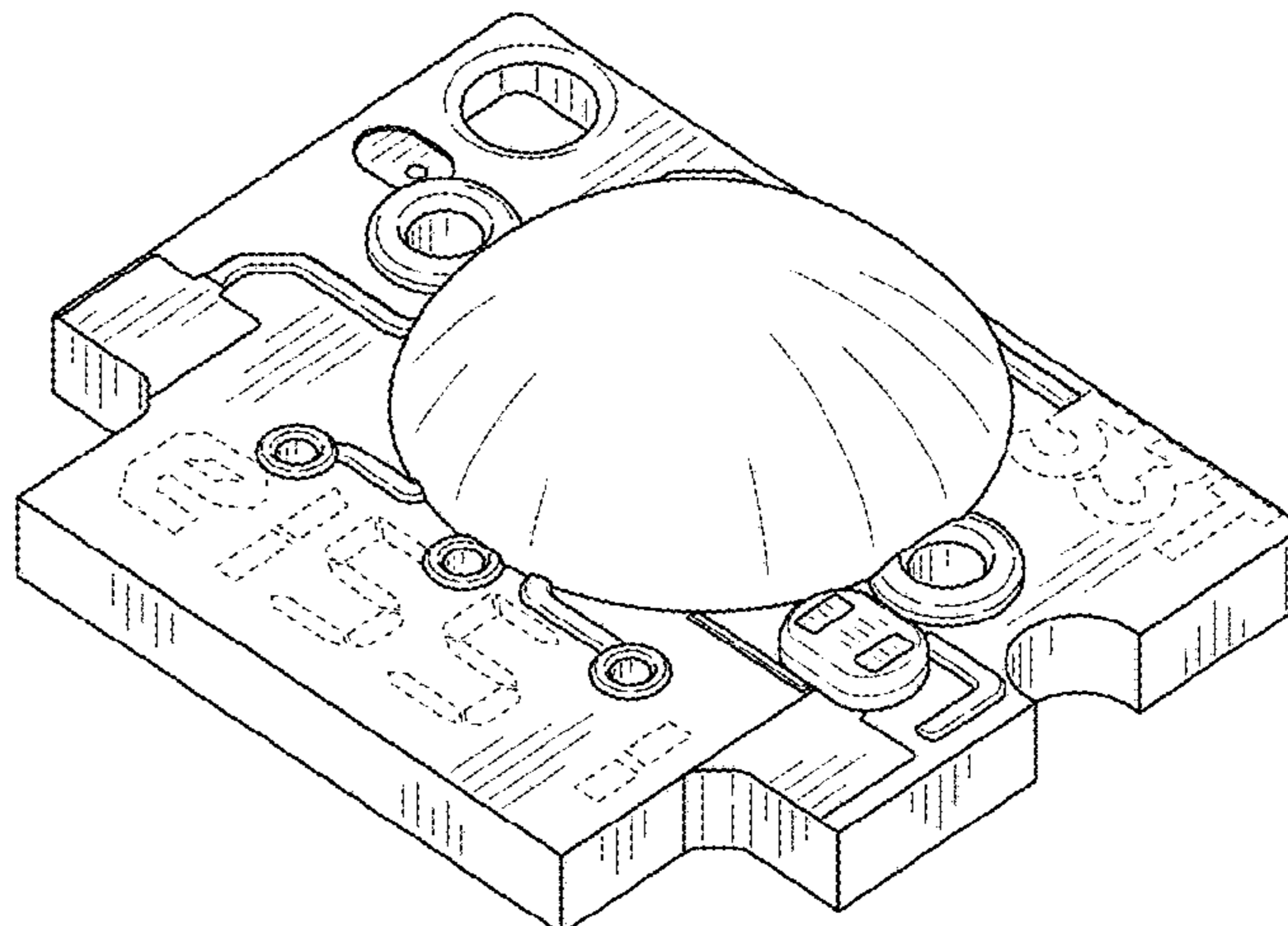
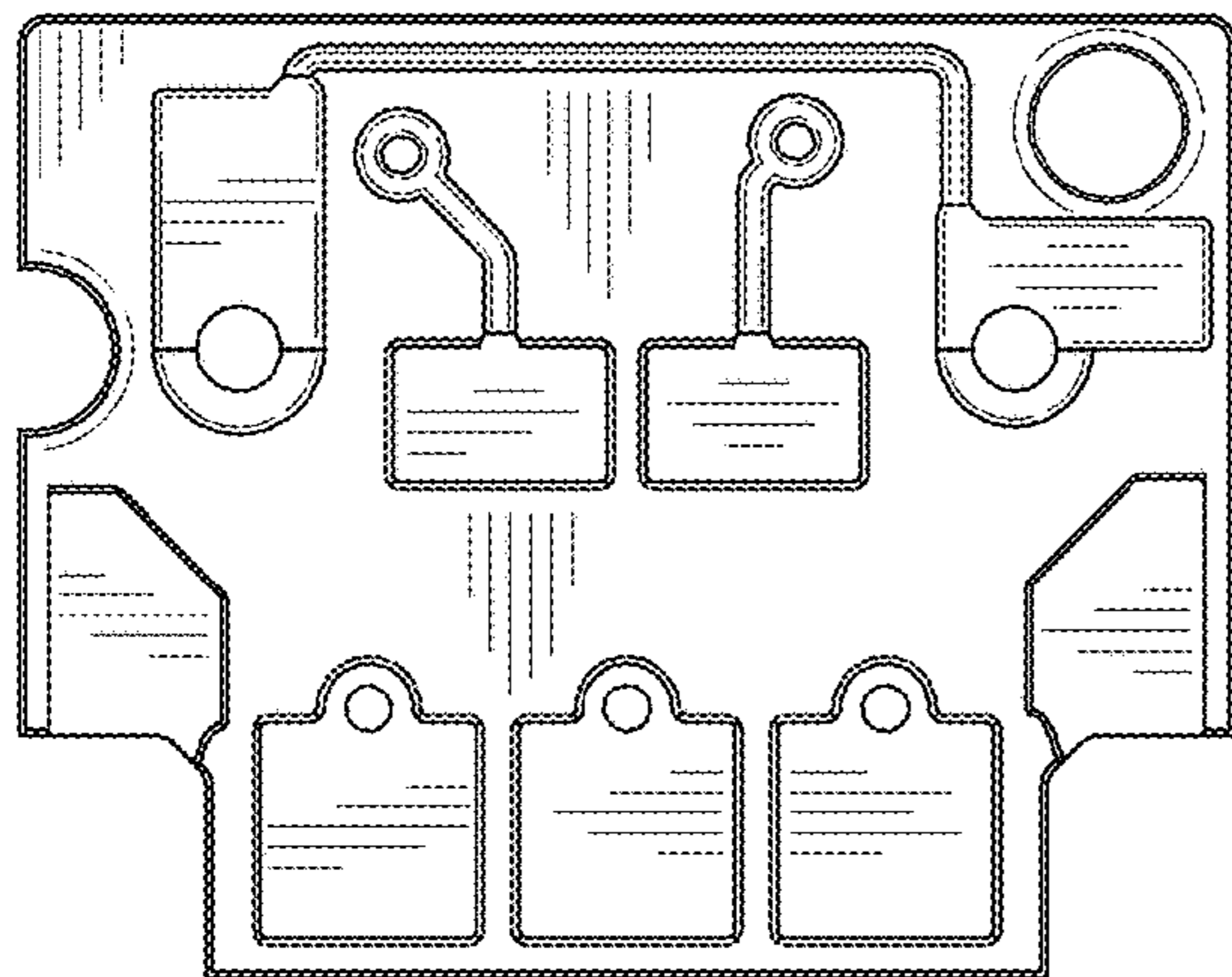
(57) **CLAIM**

The ornamental design for data processing equipment, as shown and described.

**DESCRIPTION**

FIG. 1 is a front view of data processing equipment in accordance with our new design;  
FIG. 2 is a rear view thereof;  
FIG. 3 is a left side elevational view thereof.  
FIG. 4 is a right side elevational view thereof.  
FIG. 5 is a top plan view thereof;  
FIG. 6 is a bottom view thereof; and,  
FIG. 7 is a rear isometric view thereof.

(Continued)



The broken lines in the drawings are for the purpose of illustrating environmental structure and illustrate portions of the data processing equipment which form no part of the claimed design.

**1 Claim, 3 Drawing Sheets**

G11C 5/04; G11C 5/00; G11C 5/143;  
G11C 29/12; G11C 29/26; G11C 29/16;  
G11C 2029/0401; H01L 23/3672; H01L  
23/4093; H01L 2924/0002; H01L  
2924/00; H01L 25/0652; H01L 25/105

See application file for complete search history.

**(58) Field of Classification Search**

CPC ..... G06K 19/0772; G06K 19/07724; G06K  
19/07726; G06K 19/07728; G06F 21/86;  
G06F 21/87; G06F 21/77-80; G06F  
21/85-21/88; G06F 21/00; G06F 3/0604;  
G06F 3/0688; G06F 3/0653; G06F  
3/0659; G06F 11/1076; G06F 11/1008;  
G06F 11/1044; G06F 12/1416; G06F  
12/1425; G06F 12/1433; G06F 13/00;  
G06Q 20/3229; G06Q 20/34; G06Q  
20/341; G06Q 20/346; G06Q 20/349;  
G06Q 20/3563; G06Q 20/3567; G06Q  
20/357; G06Q 20/3576; H05K 5/026;  
H05K 5/0256; H05K 5/0269; H05K  
5/0273; H05K 5/0278; H05K 5/0282;  
H05K 5/0286; H05K 5/0291; H05K  
5/0295; H05K 5/03; H05K 5/04; H05K  
5/06; H05K 5/061; H05K 5/062; H05K  
5/063; H05K 5/064; H05K 5/065; H05K  
5/066; H05K 5/067; H05K 5/068; H05K  
5/069; H05K 7/00; H05K 7/005; H05K  
7/02; H05K 7/023; H05K 7/026; H05K  
7/04; H05K 7/10; H05K 7/1418; H05K  
7/142; H05K 7/1424; H05K  
7/1427-1439; H05K 7/1461; H05K  
7/1464-1474; H05K 7/1479; H05K  
7/1481; H05K 7/1485-1488; H05K  
2201/09745; H05K 2201/09754; H05K  
2201/09763; H05K 2201/09772; H05K  
2201/098; H05K 2201/09818; H05K  
2201/10; H05K 2201/10007; H05K  
1/189; H05K 1/0203; H05K 1/118; H05K  
1/181; H05K 3/00; H05K 3/0061; H05K  
999/00; H05K 2201/056; H05K  
2201/1056; H05K 2201/10734; H05K  
2201/2018; H05K 2201/1572; H04N  
2201/216; G11C 16/0483; G11C 16/225;  
G11C 16/10; G11C 7/04; G11C 7/22;

**(56)**

**References Cited**

U.S. PATENT DOCUMENTS

D522,978	S	*	6/2006	Ochi	D13/182
D524,260	S	*	7/2006	Ishizaka	D13/180
D525,214	S	*	7/2006	Ochi	D13/182
D528,672	S	*	9/2006	Nagai	D26/1
D535,262	S	*	1/2007	Saito	D13/180
D552,048	S	*	10/2007	He	D13/182
D576,970	S	*	9/2008	Uemoto	D13/180
D591,248	S	*	4/2009	Imai	D13/180
D592,615	S	*	5/2009	Imai	D13/180
D605,613	S	*	12/2009	Carter	D13/182
D607,420	S	*	1/2010	Imai	D13/180
D618,635	S	*	6/2010	Imai	D13/180
D624,887	S	*	10/2010	Takahashi	D13/180
D625,694	S	*	10/2010	Morikawa	D13/180
D631,020	S	*	1/2011	Chuang	D13/180
D634,718	S	*	3/2011	Chuang	D13/180
D645,417	S	*	9/2011	Imai	D13/180
D650,343	S	*	12/2011	Andrews	D13/180
D662,479	S	*	6/2012	Osawa	D13/180
D662,902	S	*	7/2012	Shieh	D13/180
D691,101	S	*	10/2013	Ishizawa	D13/182
D739,565	S	*	9/2015	Welch	D26/1
D740,453	S	*	10/2015	Welch	D26/1
D742,338	S	*	11/2015	Akana	D13/182
D743,400	S	*	11/2015	Takahashi	G03G 15/55 D14/435
9,203,004	B2	*	12/2015	Hussell	H01L 25/0753
9,300,062	B2	*	3/2016	Hussell	H01L 25/0753
D757,666	S	*	5/2016	Yokoo	D13/182
D823,492	S	*	7/2018	Welch	D26/1
2004/0079957	A1	*	4/2004	Andrews	H01L 33/486 257/100
2007/0205419	A1	*	9/2007	Ono	H01L 33/58 257/79
2008/0001160	A1	*	1/2008	Andrews	H01L 33/62 257/79
2008/0054286	A1	*	3/2008	Loh	H01L 33/52 257/98
2009/0108281	A1	*	4/2009	Keller	H01L 33/64 257/98

\* cited by examiner

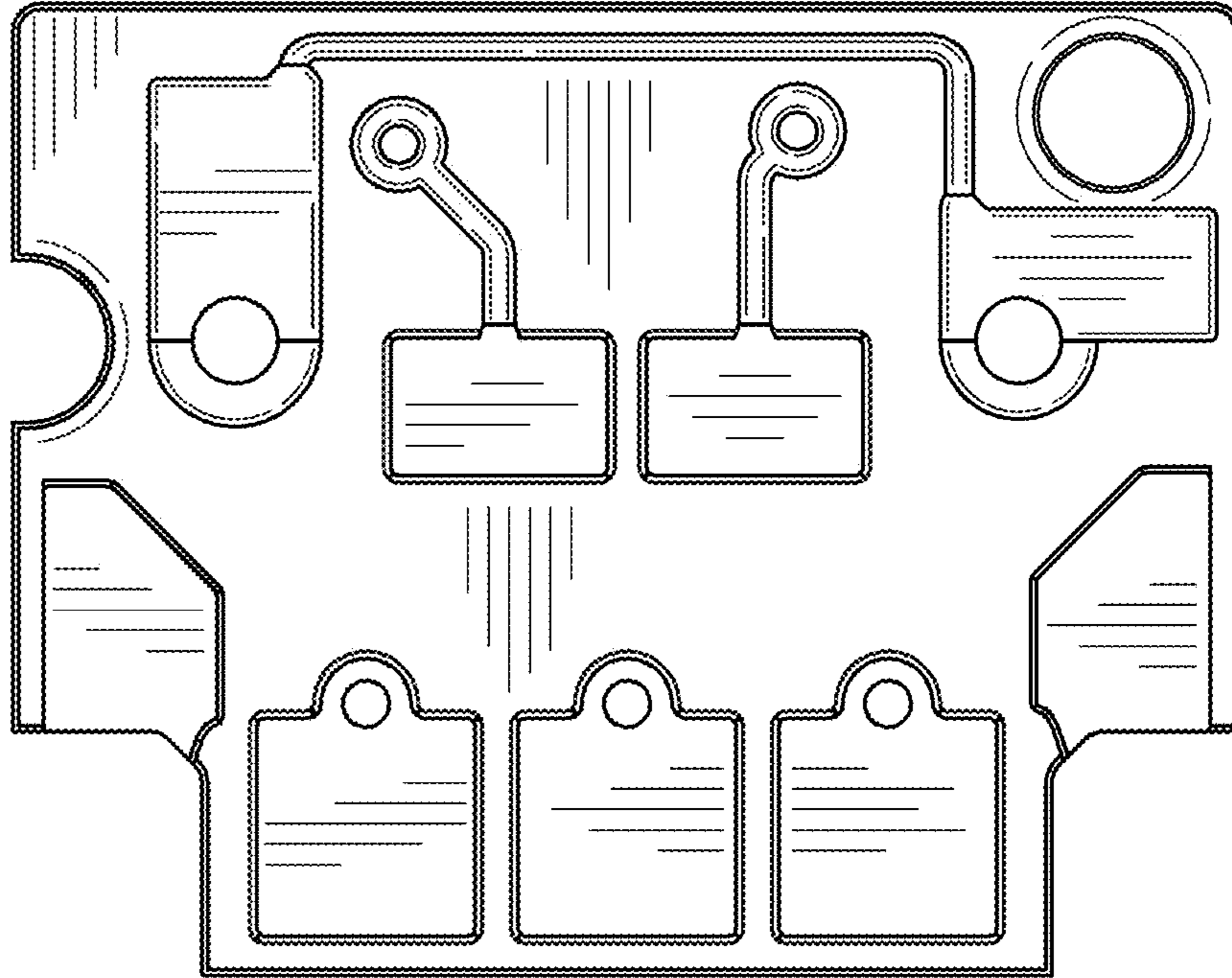


FIG. 1

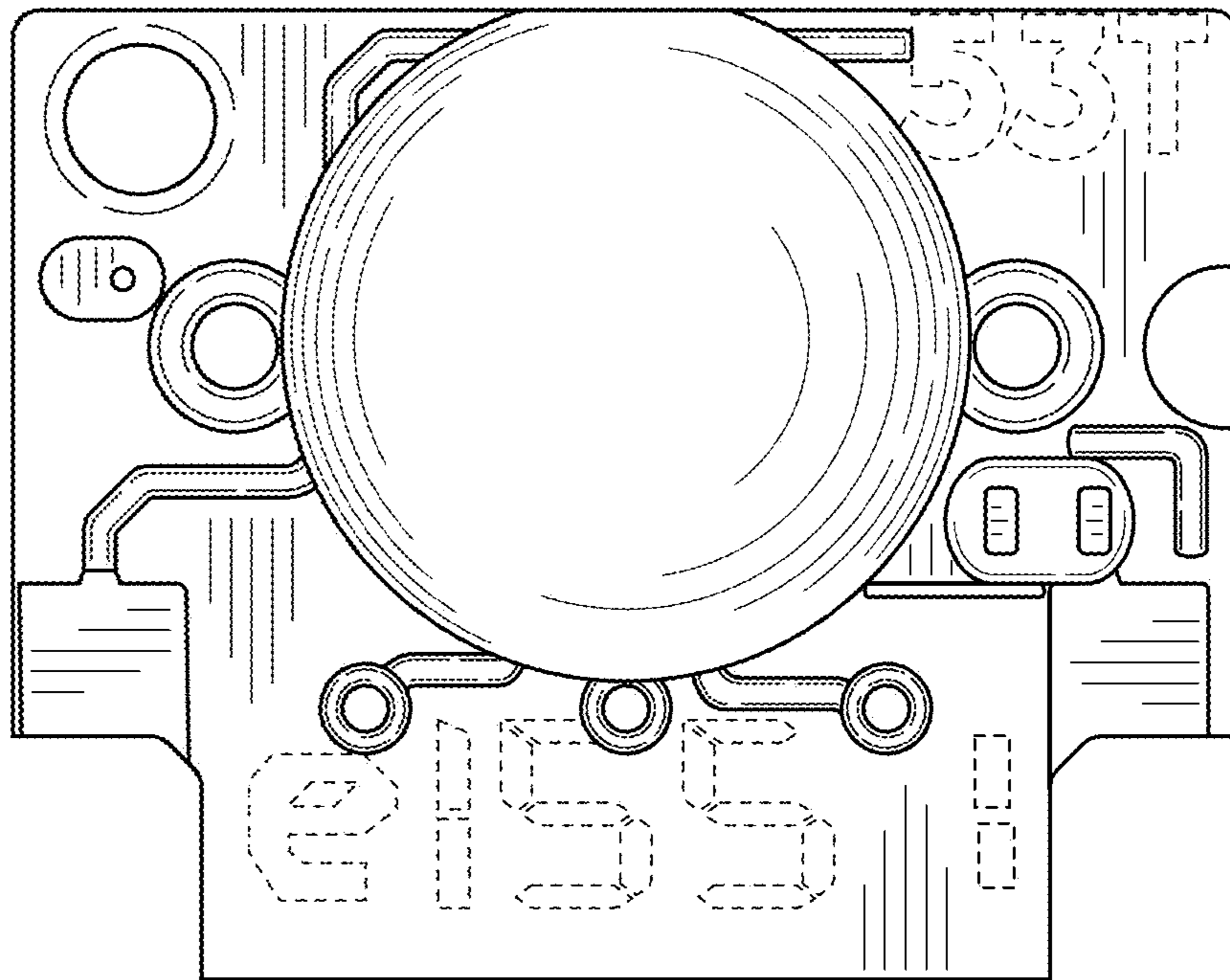


FIG. 2

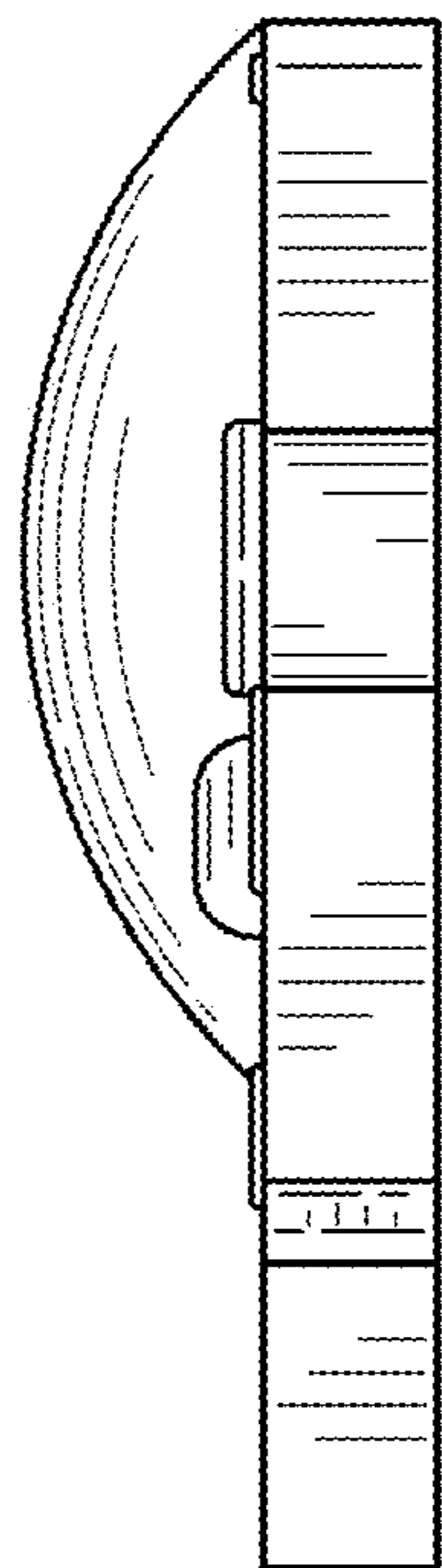


FIG. 3

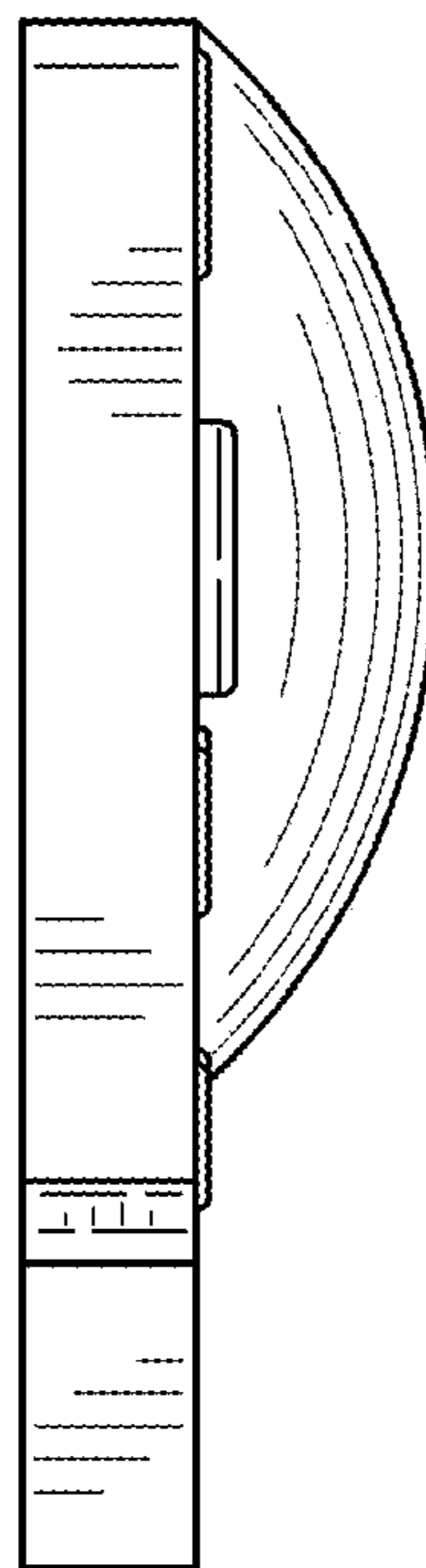


FIG. 4

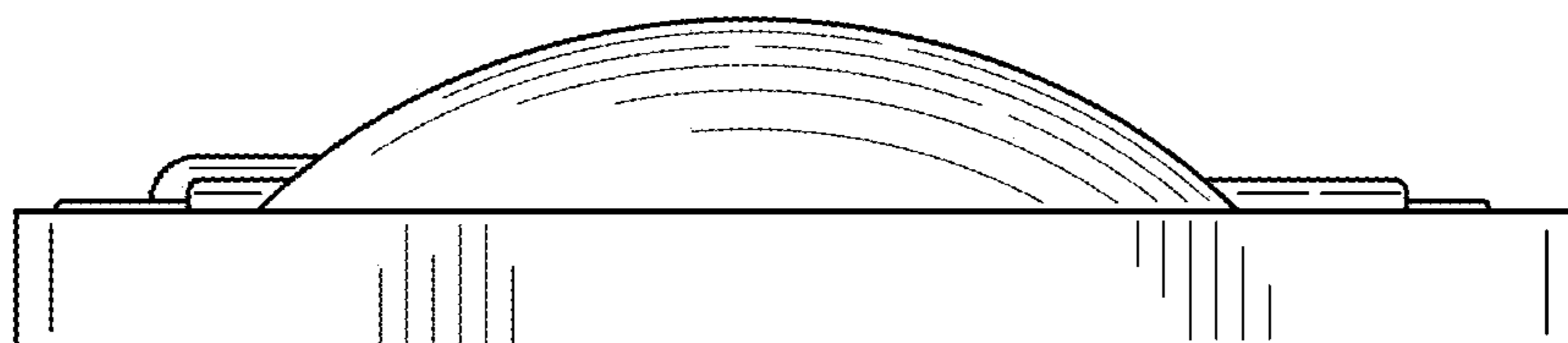


FIG. 5

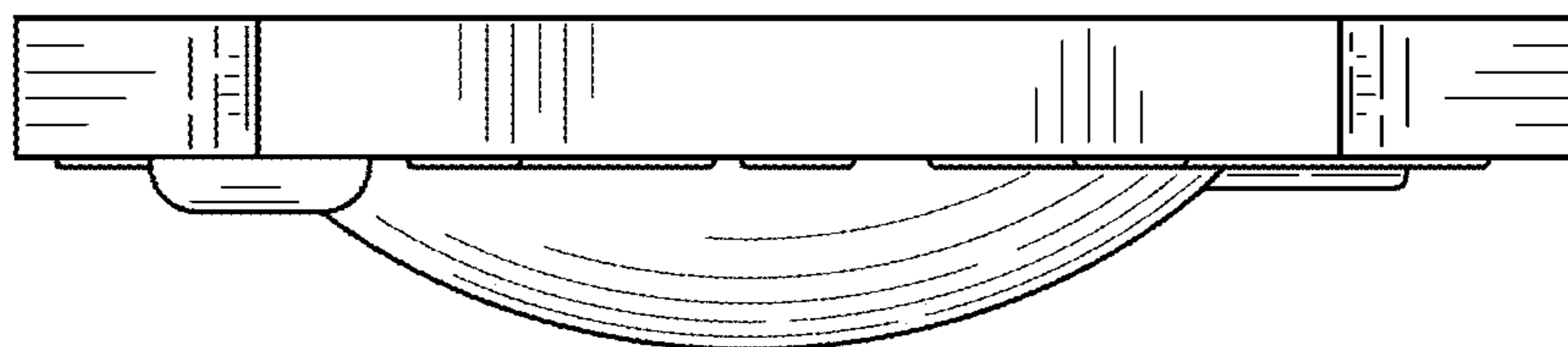


FIG. 6

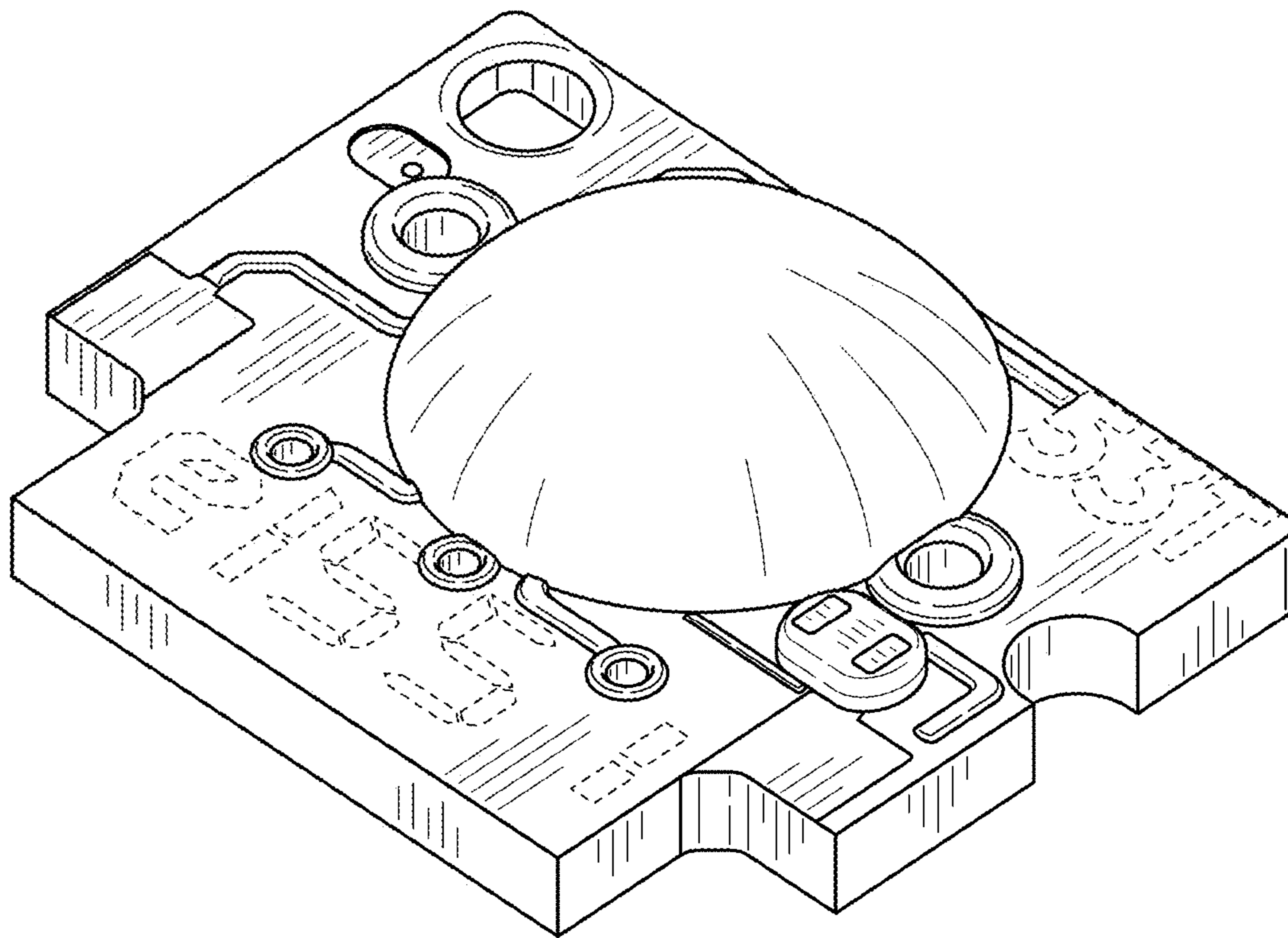


FIG. 7