



US00D879786S

(12) **United States Design Patent**
Bell et al.

(10) **Patent No.:** **US D879,786 S**
(45) **Date of Patent:** **** Mar. 31, 2020**

- (54) **SADDLE BASE POLE ADAPTER**
- (71) Applicant: **ConcealFab Corporation**, Colorado Springs, CO (US)
- (72) Inventors: **Thomas Bell**, Colorado Springs, CO (US); **Steve Rogers**, Colorado Springs, CO (US); **Jacob Lovelady**, Colorado Springs, CO (US)
- (73) Assignee: **ConcealFab Corporation**, Colorado Springs, CO (US)
- (**) Term: **15 Years**
- (21) Appl. No.: **29/712,988**
- (22) Filed: **Nov. 13, 2019**
- (51) **LOC (12) Cl.** **14-02**
- (52) **U.S. Cl.**
USPC **D14/433**; D8/356
- (58) **Field of Classification Search**
USPC D8/19, 71, 349, 354, 355, 356, 382, 383, D8/394, 395, 396, 499; D13/133, 148, D13/149; D14/432, 433; 174/140 R; 248/68.1; 439/108, 411, 92
CPC F16G 11/00; F16G 11/02; F16G 11/103; F16G 11/046; F16G 11/048; F16G 11/105; F16L 33/12; F16L 33/08; F16L 33/02; H02G 3/30; H02G 7/06; A62C 13/78; A47K 10/14; A47G 25/0657; A47G 1/21
See application file for complete search history.

- (56) **References Cited**
U.S. PATENT DOCUMENTS
2,550,001 A * 4/1951 Button F16L 3/1091
248/49
2,699,462 A * 1/1955 Exner H02G 7/053
174/140 R
D250,875 S * 1/1979 Lindblom D8/356

- D252,976 S * 9/1979 Hanson D8/356
- D298,604 S * 11/1988 Newton D15/89
- D319,571 S * 9/1991 Bennett D8/356
- D326,404 S * 5/1992 Spell D8/356
- 5,794,897 A 8/1998 Jobin et al.
- 5,928,006 A * 7/1999 Franks, Jr. H01R 4/66
439/443
- D442,065 S * 5/2001 Rohde D8/356
- 6,354,543 B1 3/2002 Paske
- 6,443,402 B1 9/2002 Ferrill et al.
- D473,124 S * 4/2003 Wu D8/356
- 6,899,305 B2 5/2005 Korczak et al.
- 8,011,621 B2 9/2011 Korczak
- 8,439,316 B2 5/2013 Feige
- D685,626 S * 7/2013 Komeno D8/356
- D709,354 S * 7/2014 Komeno D8/356
- D717,157 S * 11/2014 Widdows D8/356
- D727,716 S * 4/2015 Langle D8/355
- D735,017 S * 7/2015 Langle D8/355

(Continued)

OTHER PUBLICATIONS

SitePro1 a Valmont Company (website), https://www.sitepro1.com/store/cart.php?p=m=product_list&c=1, Oct. 21, 2006.

(Continued)

Primary Examiner — Austin Murphy
(74) *Attorney, Agent, or Firm* — Mehrman Law Office;
Michael J. Mehrman

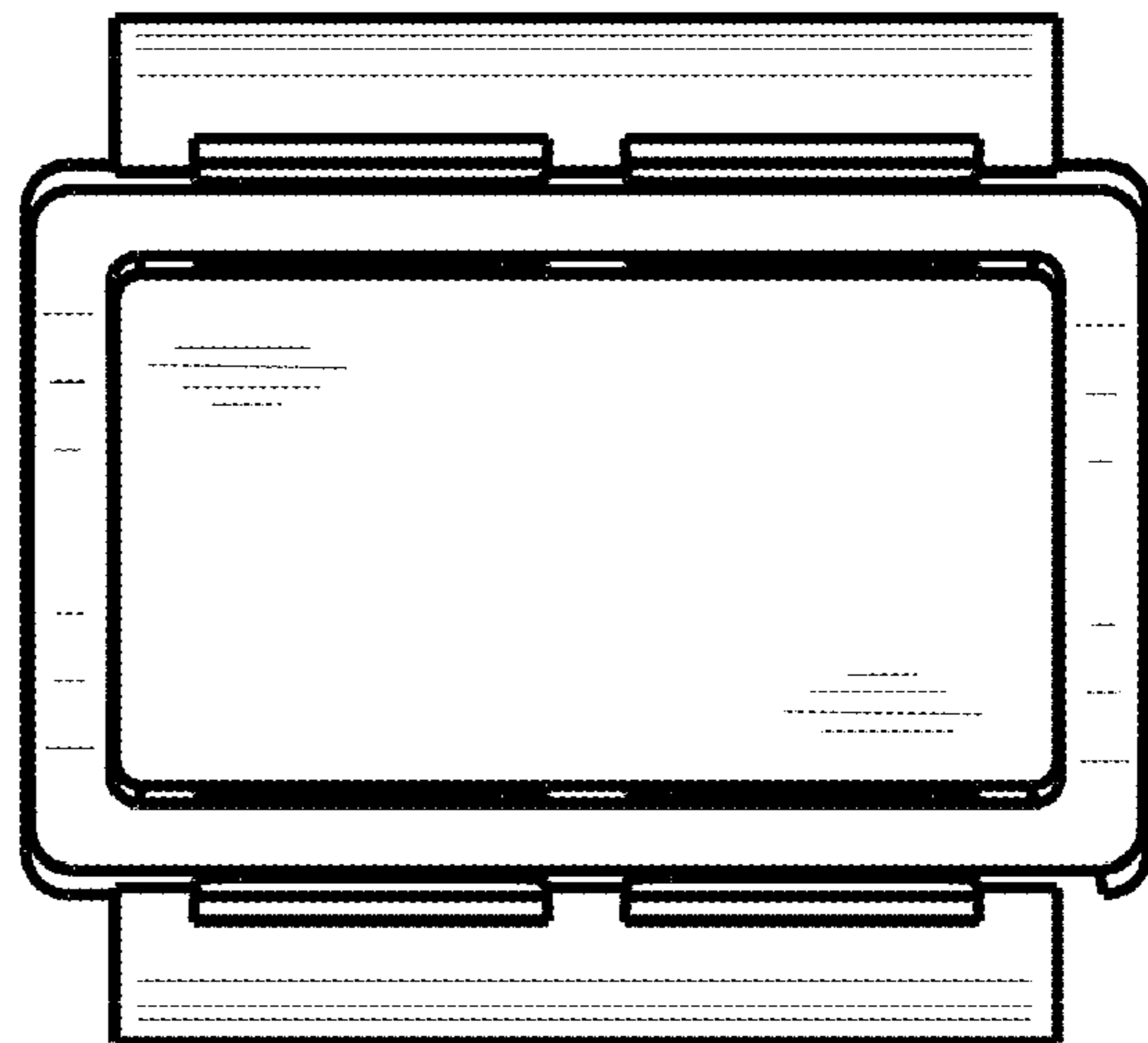
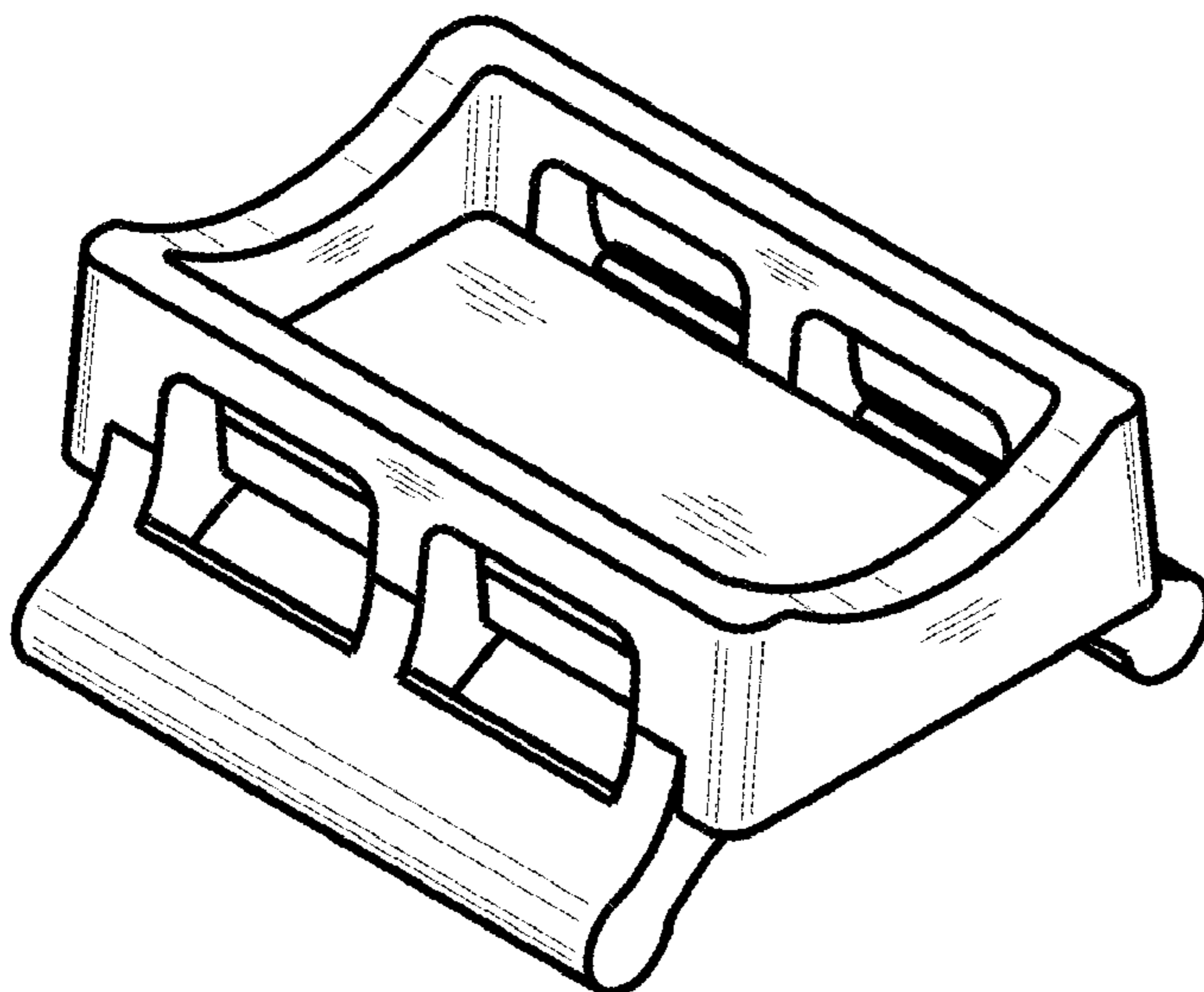
(57) **CLAIM**

The ornamental design for a saddle base pole adapter, shown and described herein.

DESCRIPTION

FIG. 1 is a perspective view of a saddle base pole adapter, showing the new design;
FIG. 2 is a side elevational view thereof;
FIG. 3 is a front elevational view thereof;
FIG. 4 is a top view of thereof; and,
FIG. 5 is a bottom view thereof.

1 Claim, 2 Drawing Sheets



(56)

References Cited

U.S. PATENT DOCUMENTS

9,086,175 B2 7/2015 Feige
D736,060 S * 8/2015 Shimizu D8/349
9,853,434 B2 12/2017 Vaccaro
9,866,004 B2 1/2018 Vaccaro
9,903,510 B2 2/2018 Joshi et al.
9,995,414 B2 6/2018 Joshi et al.
D824,751 S * 8/2018 Tisbo D8/356
10,158,218 B2 12/2018 Vaccaro et al.
10,243,339 B2 3/2019 Vaccaro et al.
10,253,906 B2 4/2019 Vaccaro
10,422,446 B2 9/2019 Joshi et al.
2002/0066833 A1 6/2002 Ferrill et al.
2009/0294602 A1 12/2009 Korczak
2014/0086704 A1 3/2014 Hemingway et al.

OTHER PUBLICATIONS

Petrilla Technologies, LLC (website), <https://petrillatechnologies.com/support-accessories.html>, Mar. 24, 2017.
CommScope (website), https://www.commscope.com/catalog/tools_accessories/product.aspx?id=46, Oct. 28, 2012.
FIMO, "Product Data Sheet, BAP 10, Plastic Socle for BFI 10 Threaded Bars" Apr. 13, 2016 (and associated photograph).

* cited by examiner

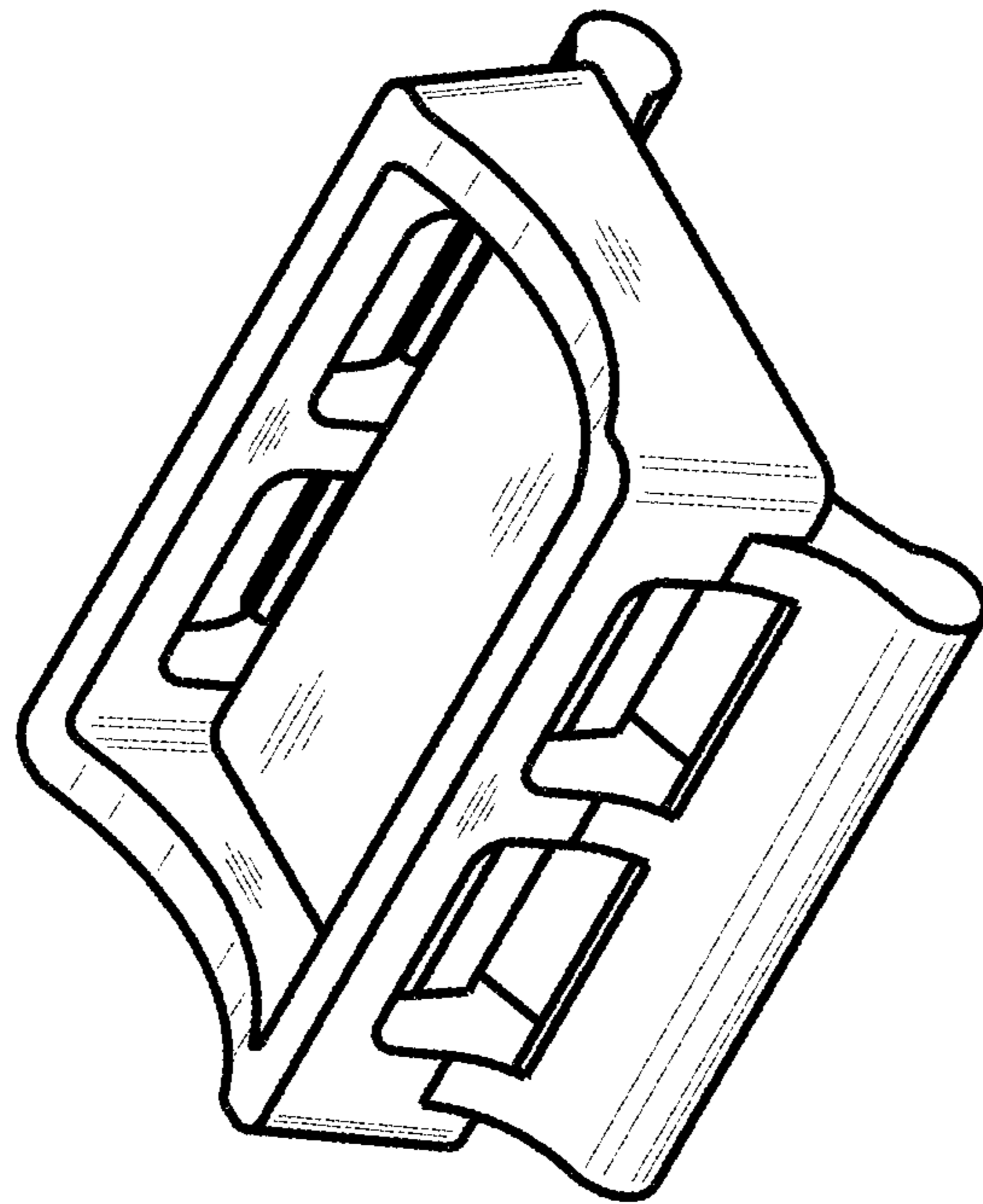


Fig. 1

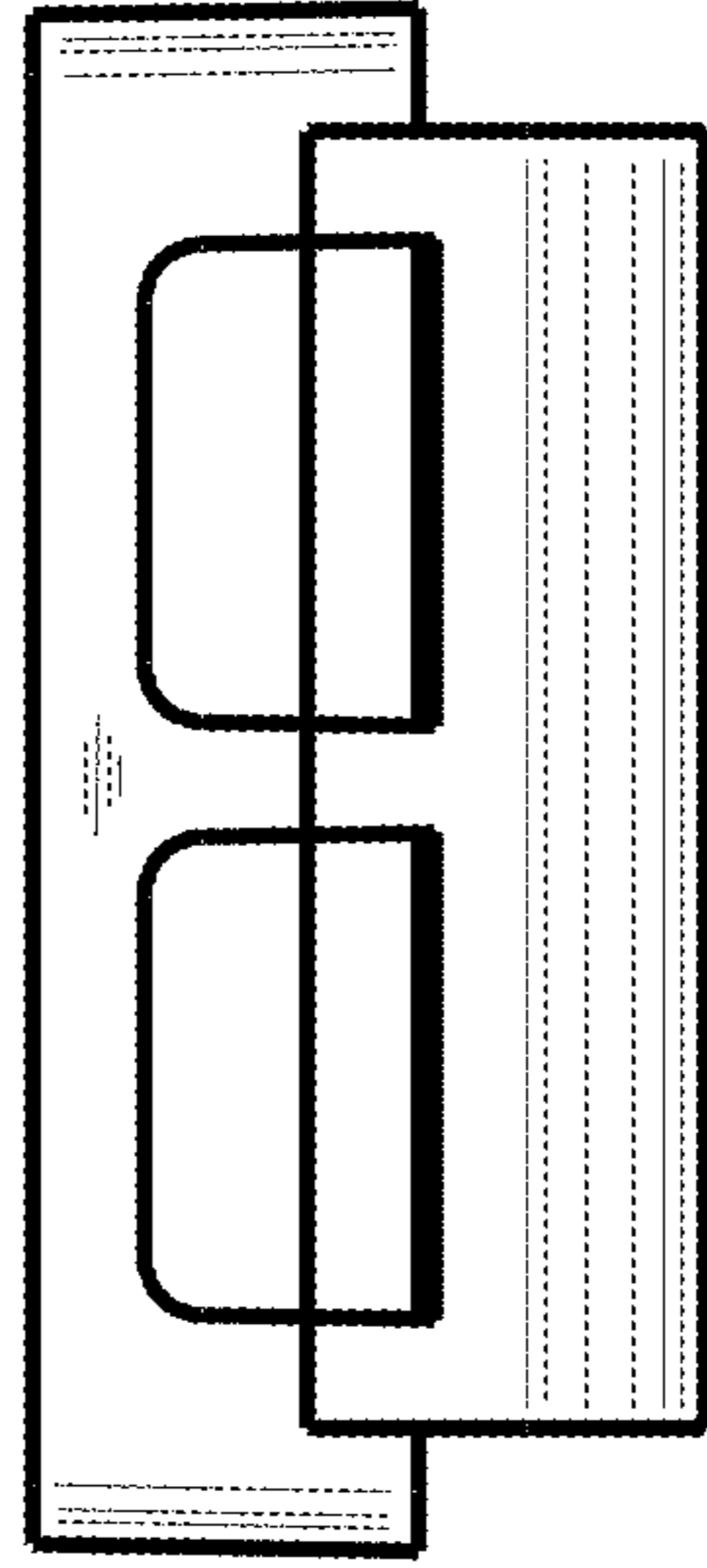


Fig. 2

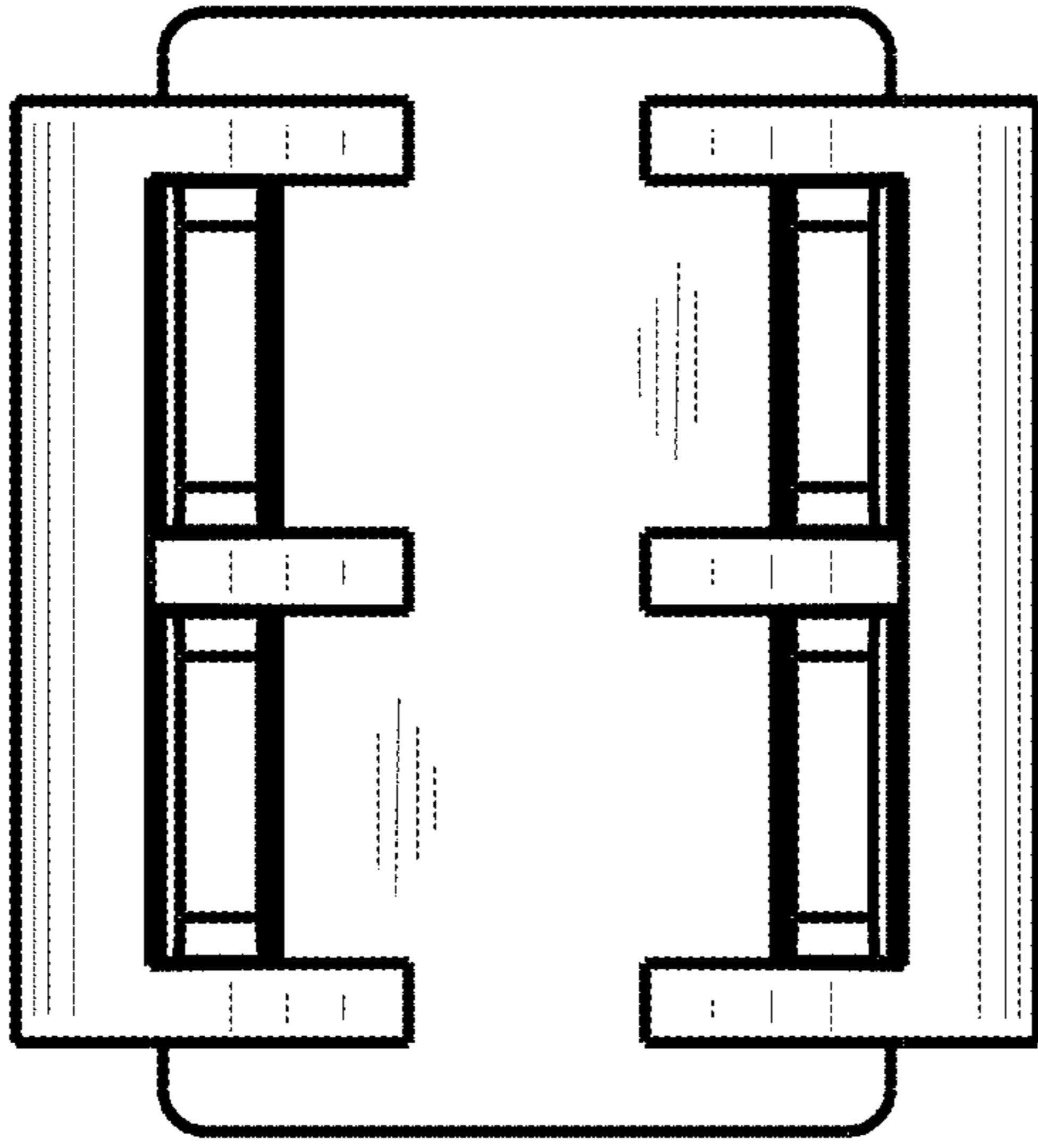


Fig. 3

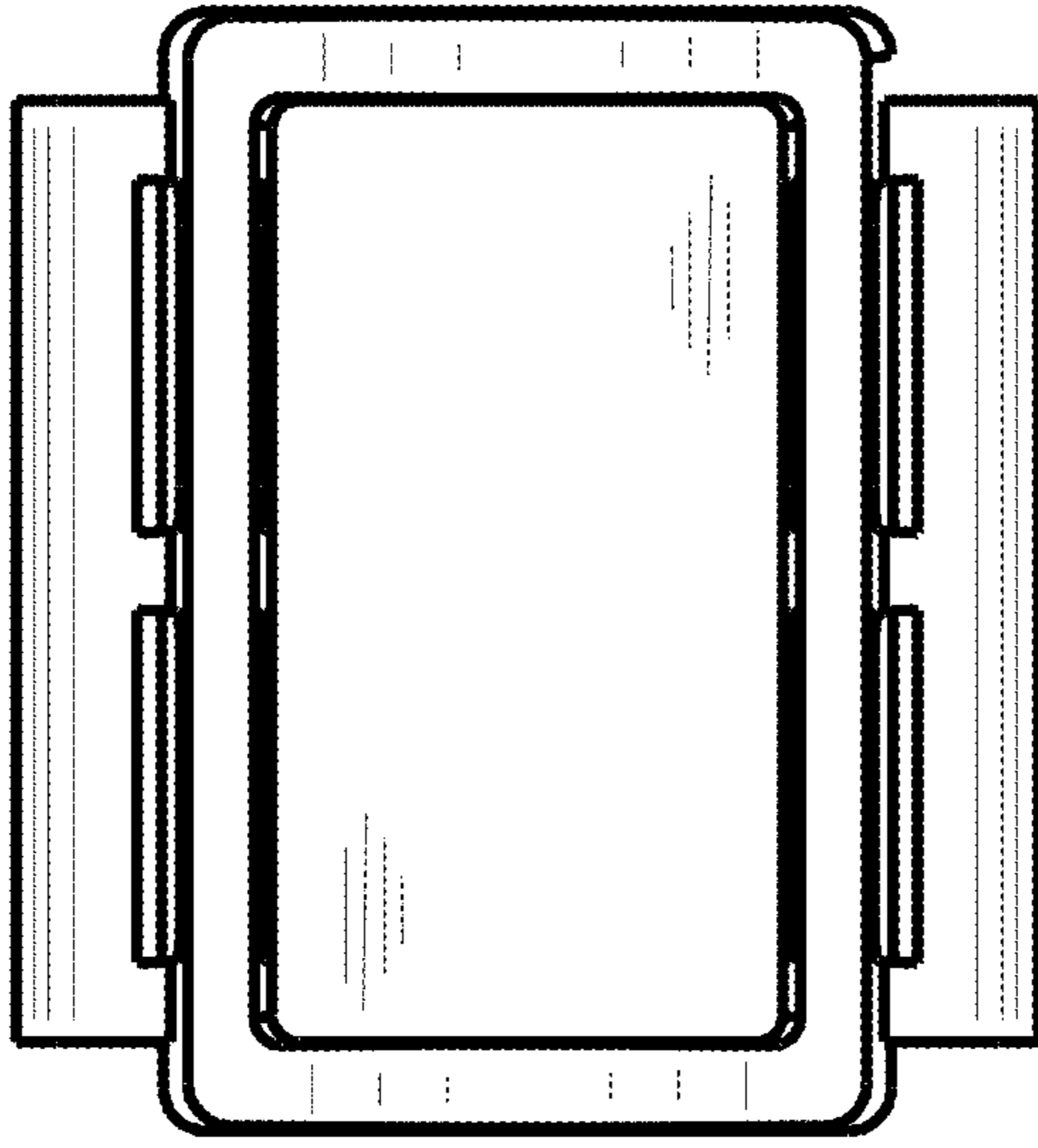


Fig. 4

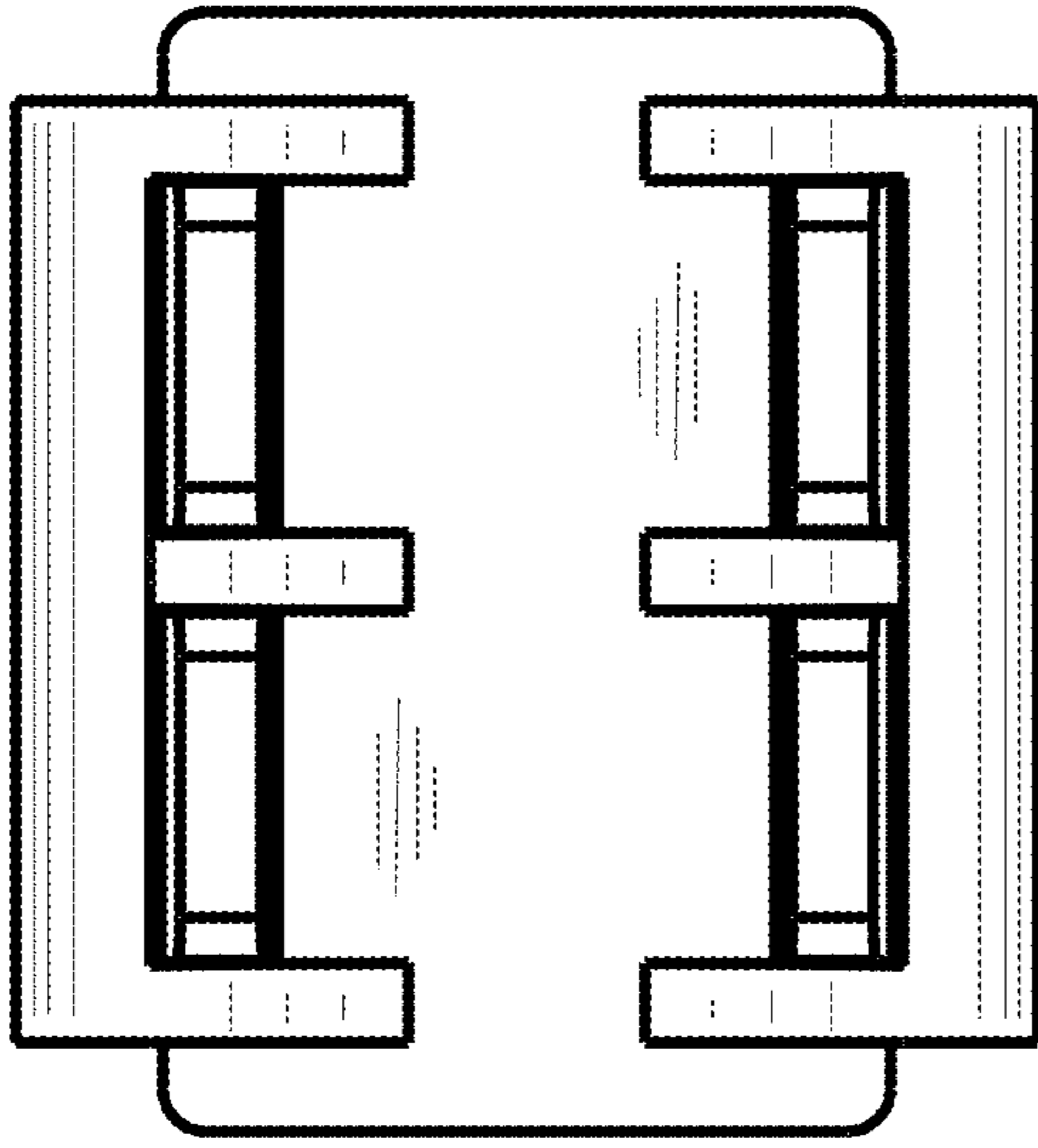


Fig. 5