



US00D879784S

(12) **United States Design Patent**
Bell et al.

(10) **Patent No.:** **US D879,784 S**
(45) **Date of Patent:** **** Mar. 31, 2020**

(54) **BOX HEAD INSERT FOR ANGLE ADAPTER**

(71) Applicant: **ConcealFab Corporation**, Colorado Springs, CO (US)
(72) Inventors: **Thomas Bell**, Colorado Springs, CO (US); **Steve Rogers**, Colorado Springs, CO (US); **Jacob Lovelady**, Colorado Springs, CO (US)

(73) Assignee: **ConcealFab Corporation**, Colorado Springs, CO (US)

(**) Term: **15 Years**

(21) Appl. No.: **29/712,984**

(22) Filed: **Nov. 13, 2019**

(51) **LOC (12) Cl.** **14-02**

(52) **U.S. Cl.**
USPC **D14/433**; D8/356

(58) **Field of Classification Search**
USPC D8/19, 71, 349, 354, 355, 356, 382, 383, D8/394, 395, 396, 499; D13/133, 148, D13/149; D14/432, 433; 174/140 R; 248/68.1; 439/108, 411, 92
CPC F16G 11/00; F16G 11/02; F16G 11/103; F16G 11/046; F16G 11/048; F16G 11/105; F16L 33/12; F16L 33/08; F16L 33/02; H02G 3/30; H02G 7/06; A62C 13/78; A47K 10/14; A47G 25/0657; A47G 1/21

See application file for complete search history.

(56) **References Cited**

U.S. PATENT DOCUMENTS

2,332,855 A * 10/1943 Jones F16B 2/245 248/68.1
2,699,462 A * 1/1955 Exner H02G 7/053 174/140 R
D188,323 S * 7/1960 Johnson D8/356

D239,592 S * 4/1976 Anderson et al. D8/354
D250,875 S * 1/1979 Lindblom D8/356
D252,976 S * 9/1979 Hanson D8/356
D253,164 S * 10/1979 Ingram D8/356
D296,547 S * 7/1988 Sachs D13/148
D309,129 S * 7/1990 Ottmann D13/149
D319,571 S * 9/1991 Bennett D8/356
D326,404 S * 5/1992 Spell D8/356
D331,358 S * 12/1992 Sachs D8/356
5,203,716 A * 4/1993 Martucci H01R 4/2466 439/411
D342,013 S * 12/1993 Sachs D8/356
D344,448 S * 2/1994 Sachs D8/356
5,794,897 A 8/1998 Jobin et al.
D442,065 S * 5/2001 Rohde D8/356
6,354,543 B1 3/2002 Paske
6,443,402 B1 9/2002 Ferrill et al.
D473,124 S * 4/2003 Wu D8/356
D473,448 S * 4/2003 Wu D8/356

(Continued)

OTHER PUBLICATIONS

SitePro1 a Valmont Company (website), https://www.sitepro1.com/store/cart.php?p=m=product_list&c=1, Oct. 21, 2006.

(Continued)

Primary Examiner — Austin Murphy
(74) *Attorney, Agent, or Firm* — Mehrman Law Office; Michael J. Mehrman

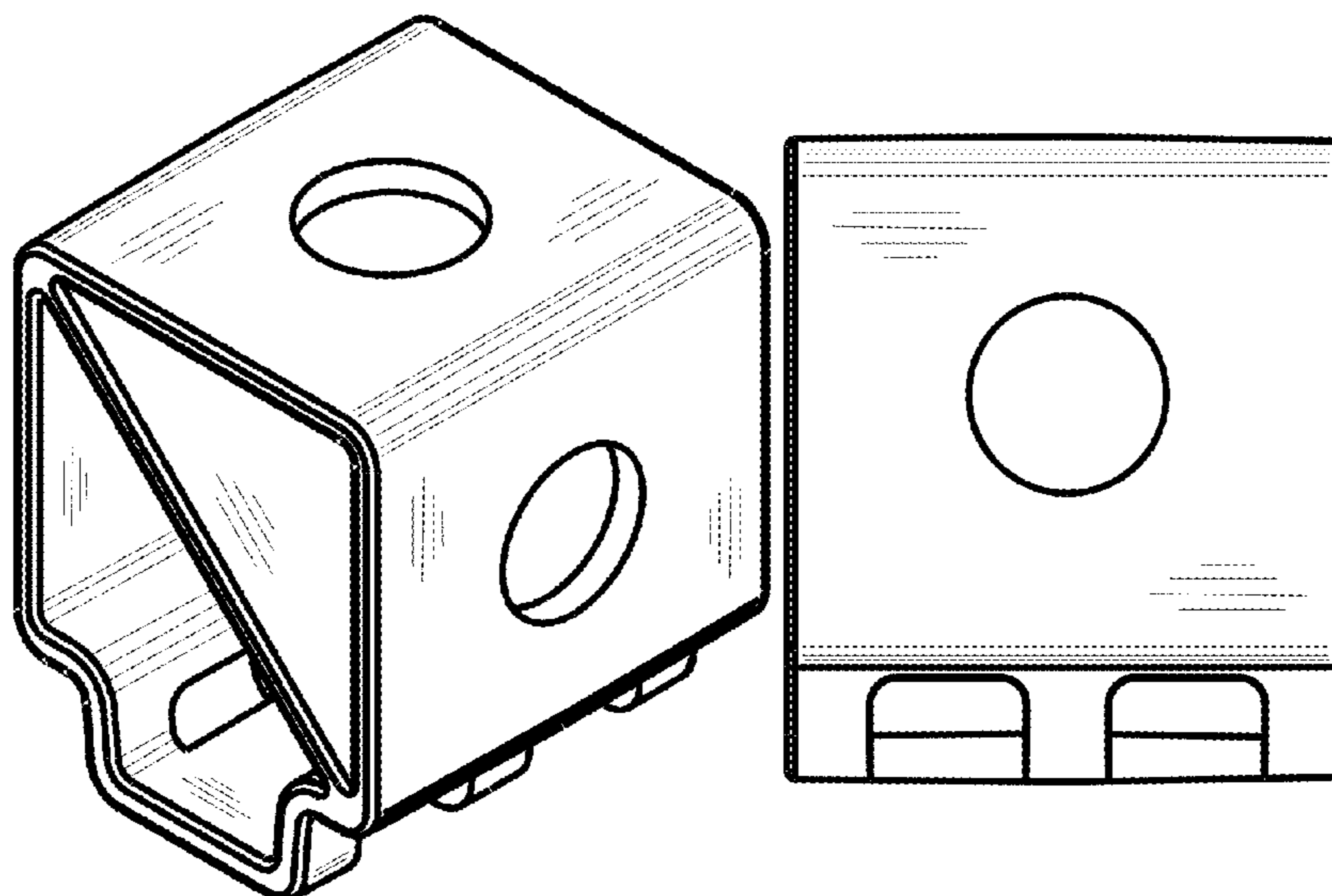
(57) **CLAIM**

The ornamental design for a box head insert for angle adapter, shown and described herein.

DESCRIPTION

FIG. 1 is a perspective view of a box head insert for angle adapter, showing the new design;
FIG. 2 is a side elevational view thereof;
FIG. 3 is a front elevational view thereof;
FIG. 4 is a top view of thereof; and,
FIG. 5 is a bottom view thereof.

1 Claim, 2 Drawing Sheets



(56)

References Cited

U.S. PATENT DOCUMENTS

6,899,305	B2	5/2005	Korczak et al.	
D576,026	S *	9/2008	Mazzocco	D8/382
D583,650	S *	12/2008	Moerke	D8/356
D592,039	S *	5/2009	Okuda	D8/356
D611,327	S *	3/2010	Chawgo	H01R 4/36
				D8/356
D615,497	S *	5/2010	Woodward	D13/149
8,011,621	B2	9/2011	Korczak	
8,439,316	B2	5/2013	Feige	
D727,716	S *	4/2015	Langle	D8/355
9,086,175	B2	7/2015	Feige	
9,853,434	B2	12/2017	Vaccaro	
9,866,004	B2	1/2018	Vaccaro	
9,903,510	B2	2/2018	Joshi et al.	
9,995,414	B2	6/2018	Joshi et al.	
D824,751	S *	8/2018	Tisbo	D8/356
10,158,218	B2	12/2018	Vaccaro et al.	
10,243,339	B2	3/2019	Vaccaro et al.	
10,253,906	B2	4/2019	Vaccaro	
10,422,446	B2	9/2019	Joshi et al.	
D862,472	S *	10/2019	Huebner	D14/432
2002/0066833	A1	6/2002	Ferrill et al.	
2009/0294602	A1	12/2009	Korczak	
2014/0086704	A1	3/2014	Hemingway et al.	

OTHER PUBLICATIONS

Petrilla Technologies, LLC (website), <https://petrillatechnologies.com/support-accessories.html>, Mar. 24, 2017.

CommScope (website), https://www.commscope.com/catalog/tools_accessories/product.aspx?id=46, Oct. 28, 2012.

FIMO, "Product Data Sheet, BAP 10, Plastic Socle for BFI 10 Threaded Bars" Apr. 13, 2016 (and associated photograph).

* cited by examiner

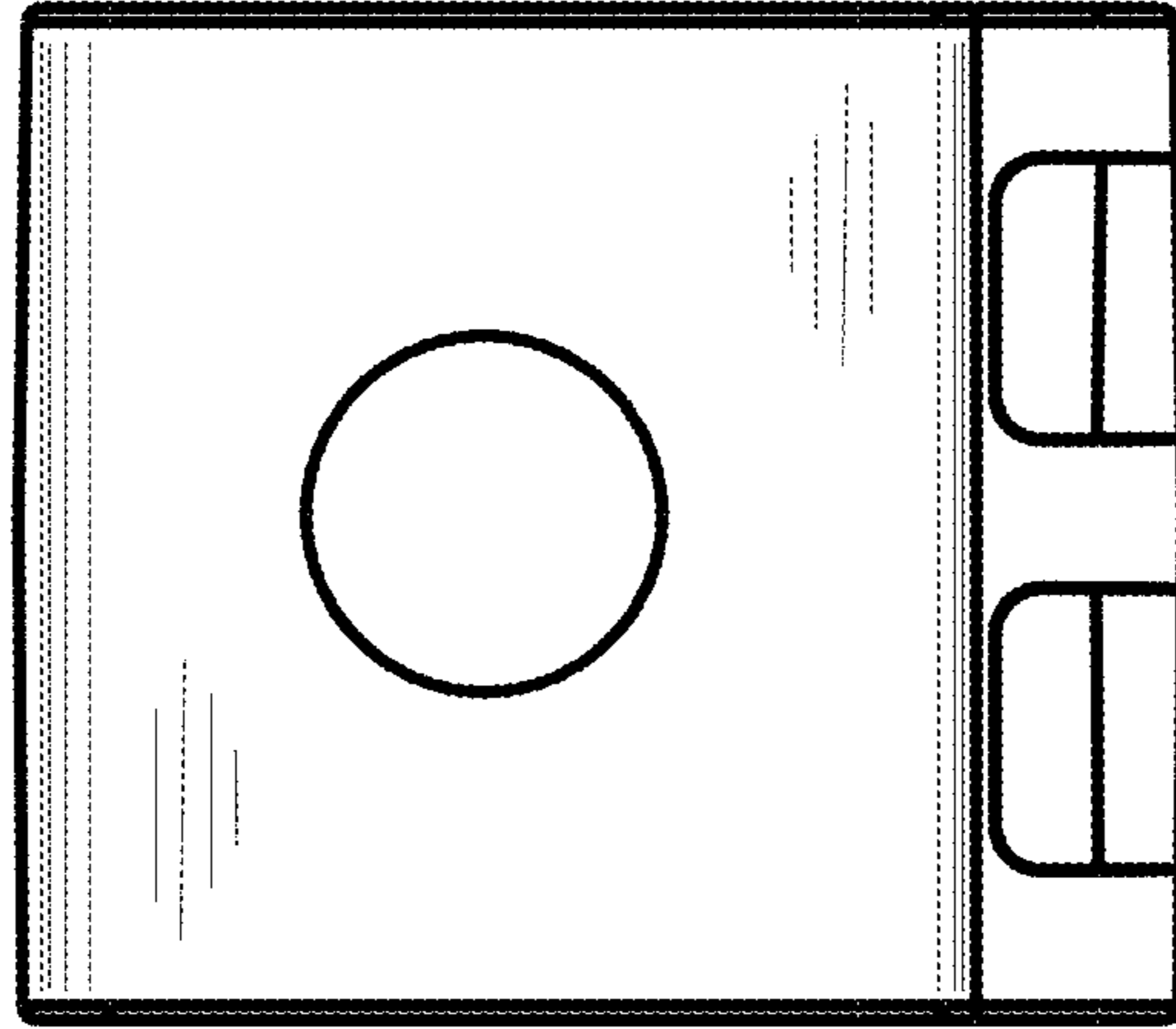


Fig. 2

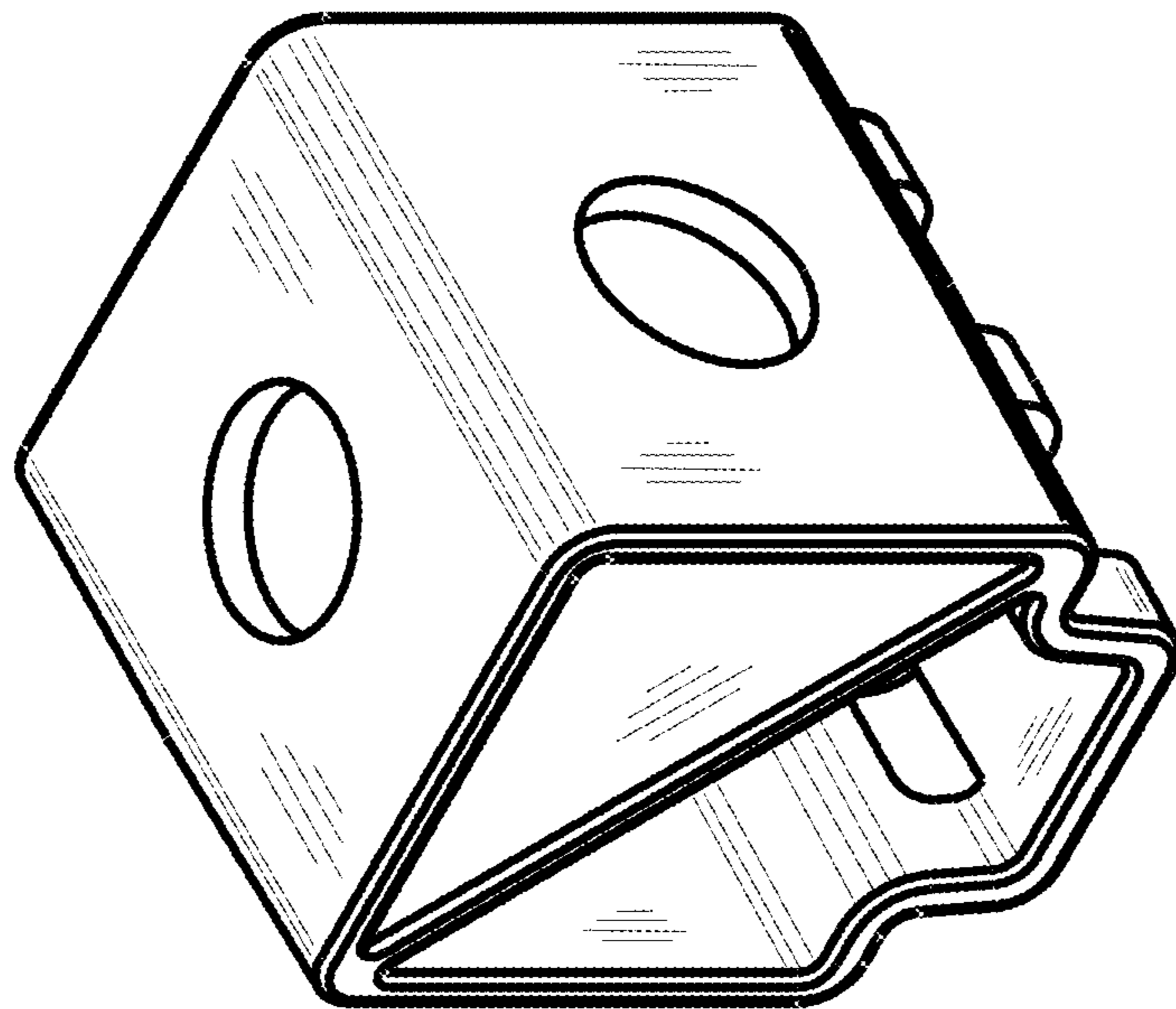


Fig. 1

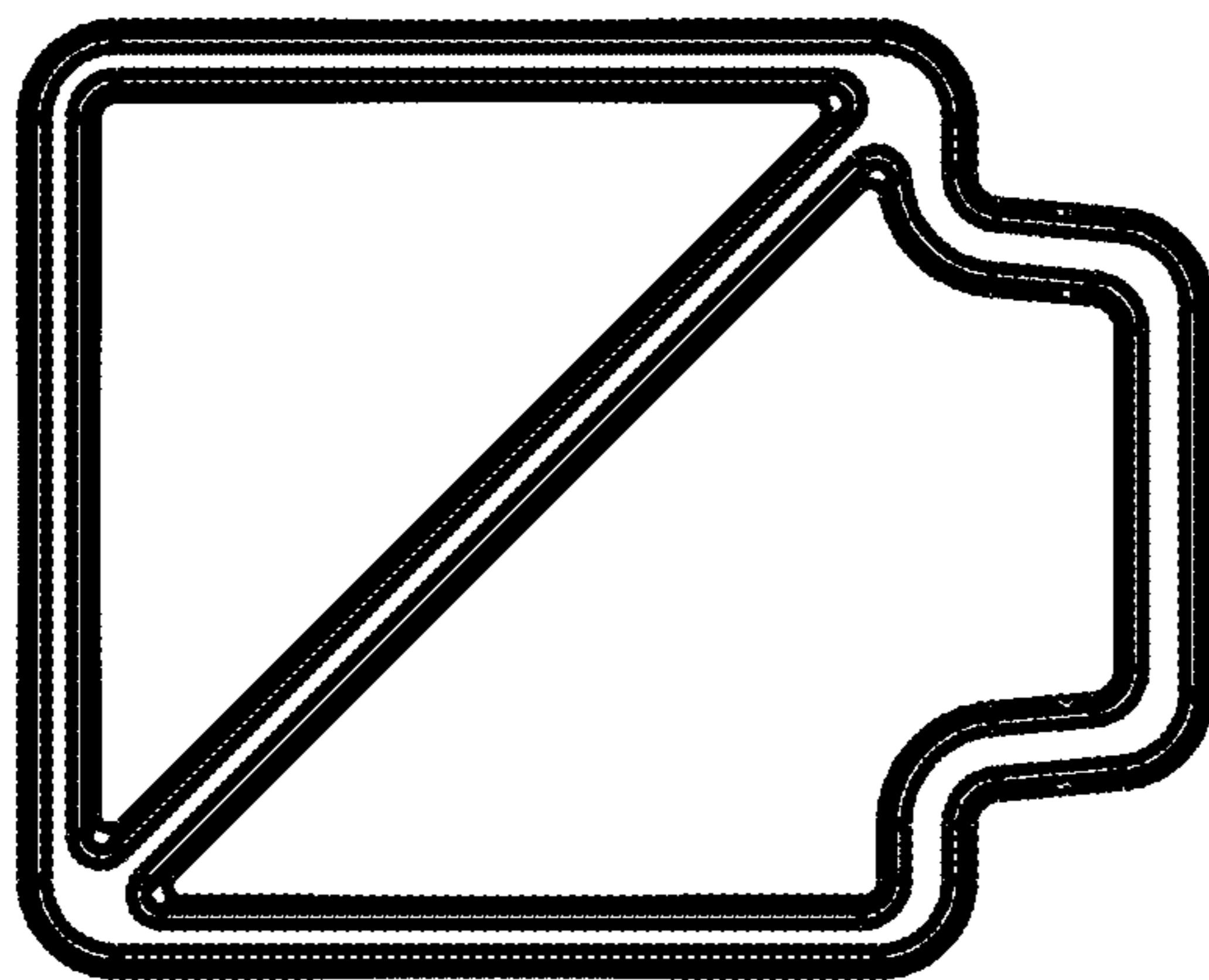


Fig. 3

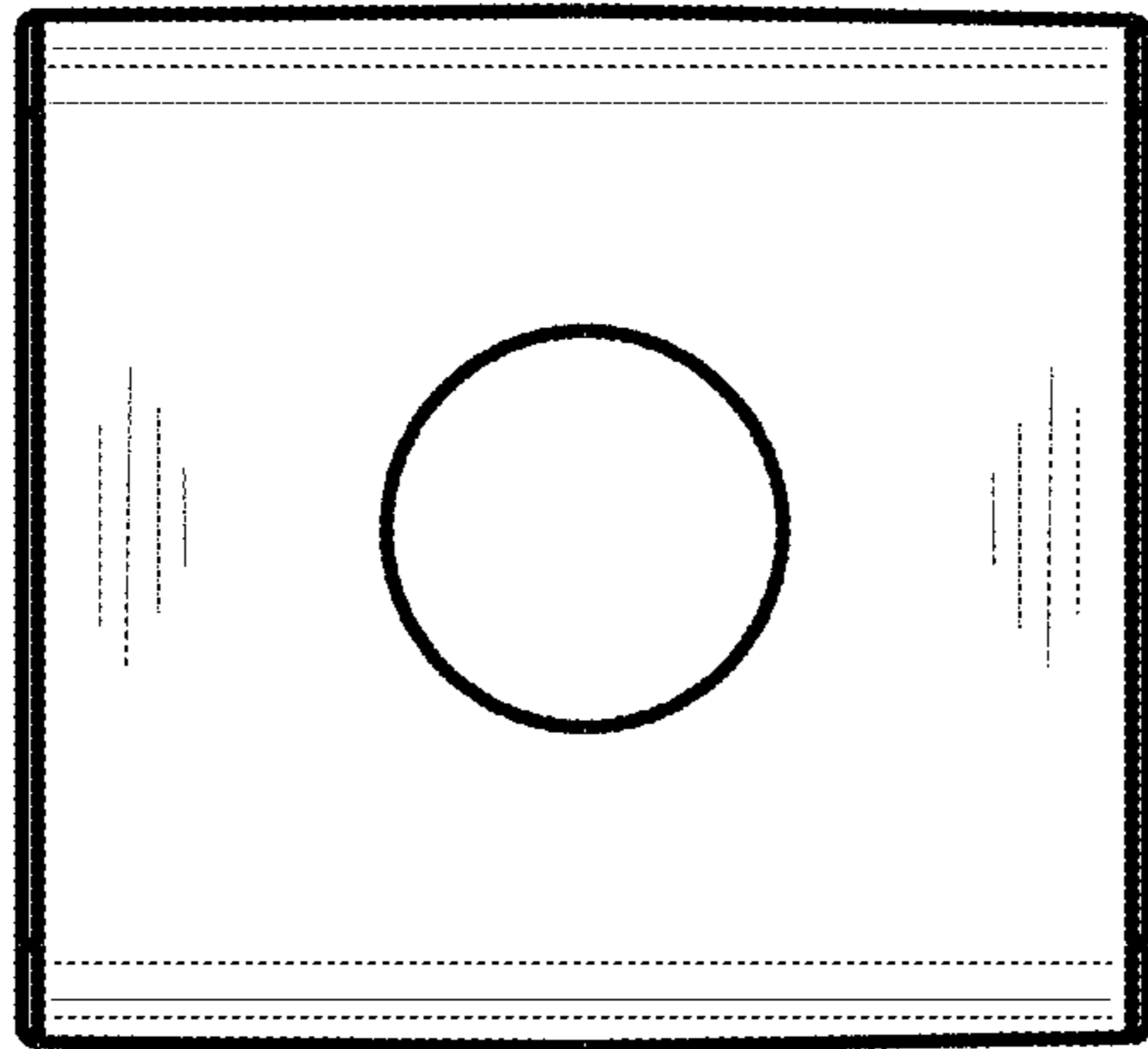


Fig. 4

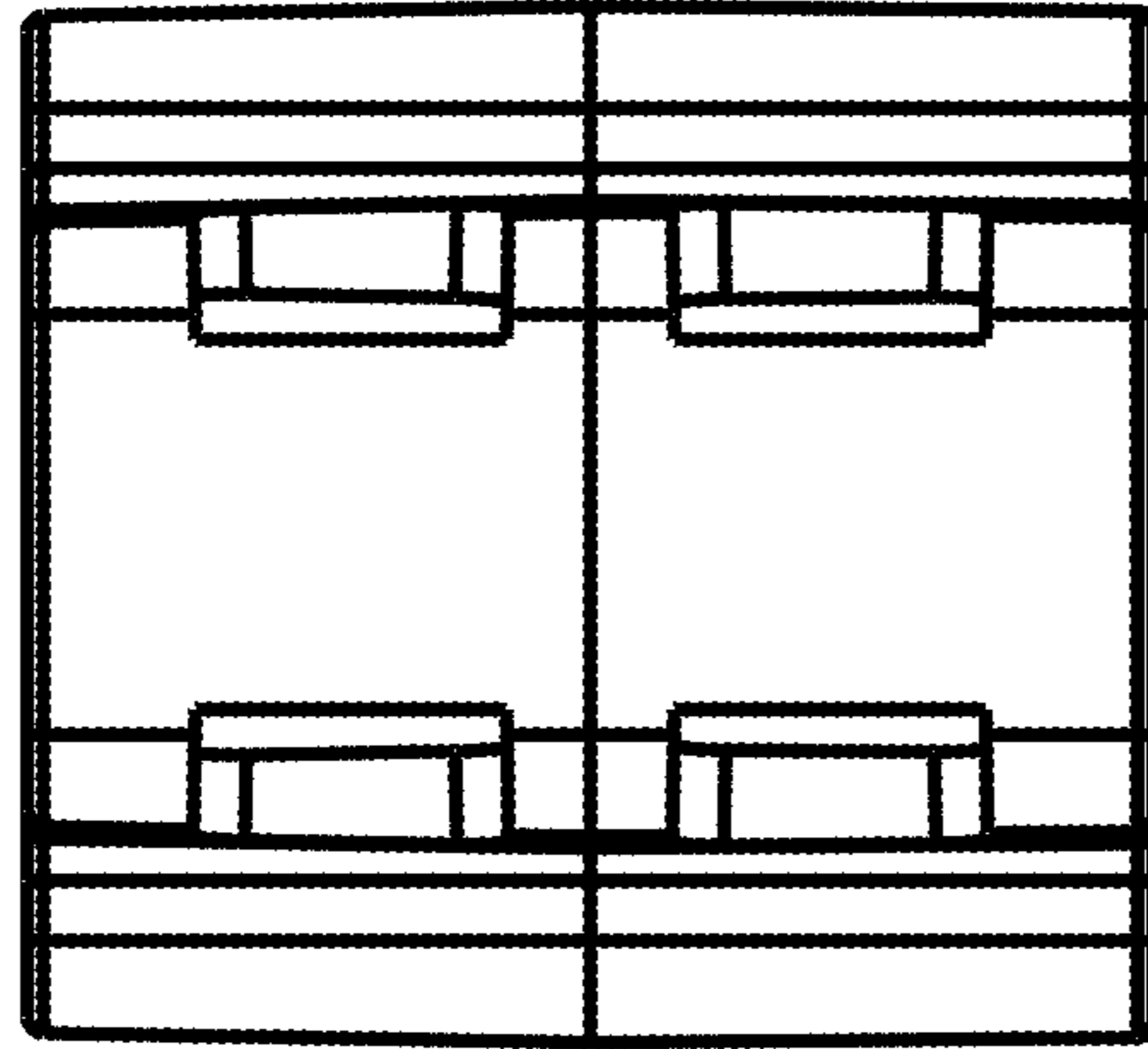


Fig. 5