

US00D879783S

(12) **United States Design Patent**  
**Bell et al.**

(10) **Patent No.:** **US D879,783 S**  
(45) **Date of Patent:** **\*\* Mar. 31, 2020**

(54) **UNIVERSAL BASE ANGLE ADAPTER**

(71) Applicant: **ConcealFab Corporation**, Colorado Springs, CO (US)

(72) Inventors: **Thomas Bell**, Colorado Springs, CO (US); **Steve Rogers**, Colorado Springs, CO (US); **Jacob Lovelady**, Colorado Springs, CO (US)

(73) Assignee: **ConcealFab Corporation**, Colorado Springs, CO (US)

(\*\*) Term: **15 Years**

(21) Appl. No.: **29/712,982**

(22) Filed: **Nov. 13, 2019**

(51) **LOC (12) Cl.** ..... **14-02**

(52) **U.S. Cl.**

USPC ..... **D14/433**; D8/356

(58) **Field of Classification Search**

USPC .... D8/19, 71, 349, 354, 355, 356, 382, 383, D8/394, 395, 396, 499; D13/133, 148, D13/149; D14/432, 433; 174/140 R; 248/68.1; 439/108, 411, 92  
CPC ..... F16G 11/00; F16G 11/02; F16G 11/103; F16G 11/046; F16G 11/048; F16G 11/105; F16L 33/12; F16L 33/08; F16L 33/02; H02G 3/30; H02G 7/06; A62C 13/78; A47K 10/14; A47G 25/0657; A47G 1/21

See application file for complete search history.

(56) **References Cited**

**U.S. PATENT DOCUMENTS**

2,550,001 A \* 4/1951 Button ..... F16L 3/1091  
248/49  
2,699,462 A \* 1/1955 Exner ..... H02G 7/053  
174/140 R  
D250,875 S \* 1/1979 Lindblom ..... D8/356

D252,976 S \* 9/1979 Hanson ..... D8/356  
D298,604 S \* 11/1988 Newton ..... D15/89  
D319,571 S \* 9/1991 Bennett ..... D8/356  
D326,404 S \* 5/1992 Spell ..... D8/356  
5,794,897 A 8/1998 Jobin et al.  
5,928,006 A \* 7/1999 Franks, Jr. .... H01R 4/66  
439/443  
D442,065 S \* 5/2001 Rohde ..... D8/356  
6,354,543 B1 3/2002 Paske  
6,443,402 B1 9/2002 Ferrill et al.  
D473,124 S \* 4/2003 Wu ..... D8/356  
6,899,305 B2 5/2005 Korczak et al.  
8,011,621 B2 9/2011 Korczak  
8,439,316 B2 5/2013 Feige  
D685,626 S \* 7/2013 Komeno ..... D8/356  
D709,354 S \* 7/2014 Komeno ..... D8/356  
D717,157 S \* 11/2014 Widdows ..... D8/356  
D727,716 S \* 4/2015 Langle ..... D8/355  
D735,017 S \* 7/2015 Langle ..... D8/355

(Continued)

**OTHER PUBLICATIONS**

SitePro1 a Valmont Company (website), [https://www.sitepro1.com/store/cart.php?m=product\\_list&c=1](https://www.sitepro1.com/store/cart.php?m=product_list&c=1), Oct. 21, 2006.

(Continued)

*Primary Examiner* — Austin Murphy

(74) *Attorney, Agent, or Firm* — Mehrman Law Office; Michael J. Mehrman

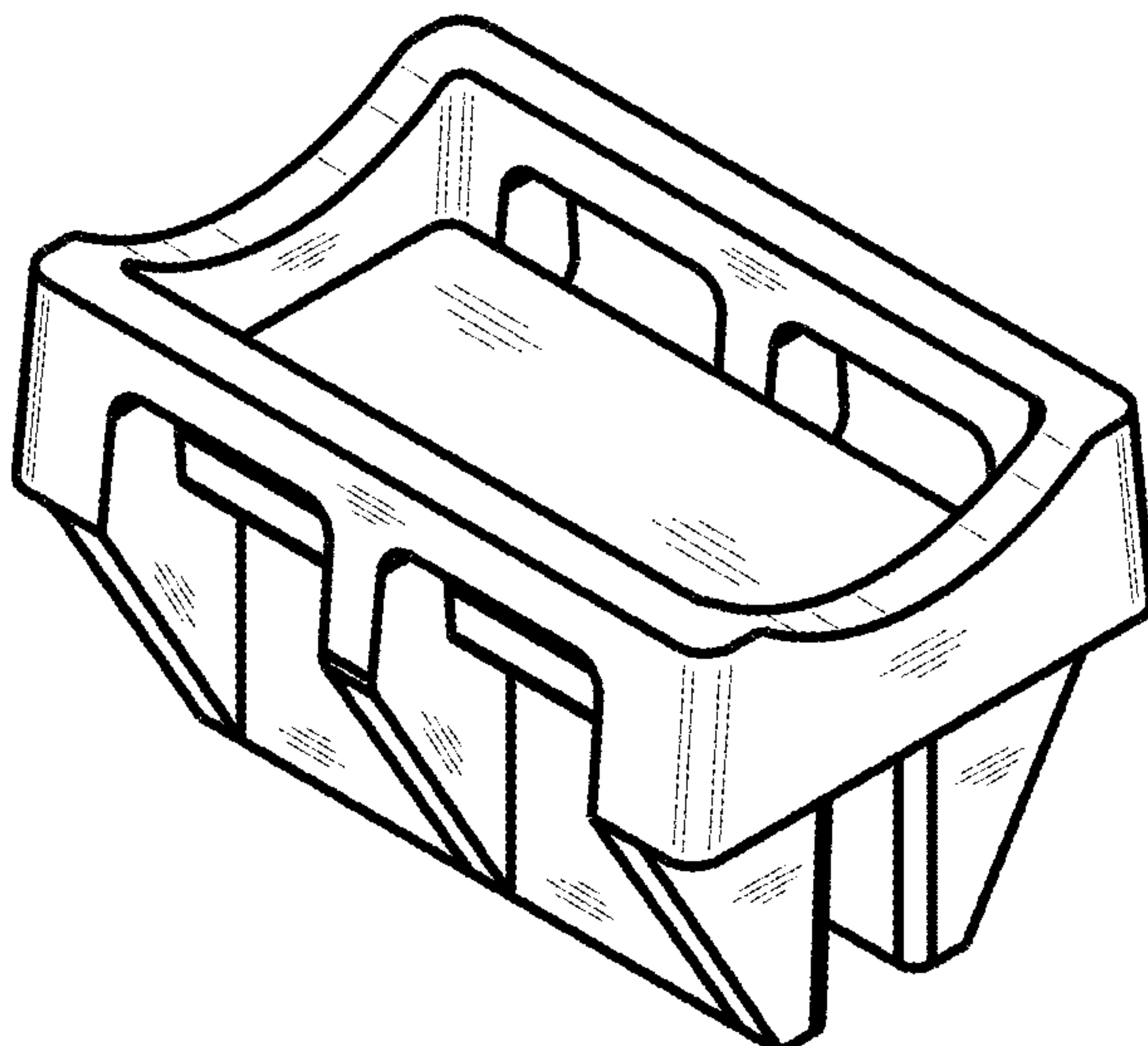
(57) **CLAIM**

The ornamental design for a universal base angle adapter, shown and described herein.

**DESCRIPTION**

FIG. 1 is a perspective view of a universal base angle adapter, showing the new design; FIG. 2 is a side elevational view thereof; FIG. 3 is a front elevational view thereof; FIG. 4 is a top view of thereof; and, FIG. 5 is a bottom view thereof.

**1 Claim, 2 Drawing Sheets**



(56)

**References Cited**

U.S. PATENT DOCUMENTS

9,086,175 B2 7/2015 Feige  
D736,060 S \* 8/2015 Shimizu ..... D8/349  
9,853,434 B2 12/2017 Vaccaro  
9,866,004 B2 1/2018 Vaccaro  
9,903,510 B2 2/2018 Joshi et al.  
9,995,414 B2 6/2018 Joshi et al.  
D824,751 S \* 8/2018 Tisbo ..... D8/356  
10,158,218 B2 12/2018 Vaccaro et al.  
10,243,339 B2 3/2019 Vaccaro et al.  
10,253,906 B2 4/2019 Vaccaro  
10,422,446 B2 9/2019 Joshi et al.  
2002/0066833 A1 6/2002 Ferrill et al.  
2009/0294602 A1 12/2009 Korczak  
2014/0086704 A1 3/2014 Hemingway et al.

OTHER PUBLICATIONS

Petrilla Technologies, LLC (website), <https://petrillatechnologies.com/support-accessories.html>, Mar. 24, 2017.  
CommScope (website), [https://www.commscope.com/catalog/tools\\_accessories/product.aspx?id=46](https://www.commscope.com/catalog/tools_accessories/product.aspx?id=46), Oct. 28, 2012.  
FIMO, "Product Data Sheet, BAP 10, Plastic Socle for BFI 10 Threaded Bars" Apr. 13, 2016 (and associated photograph).

\* cited by examiner

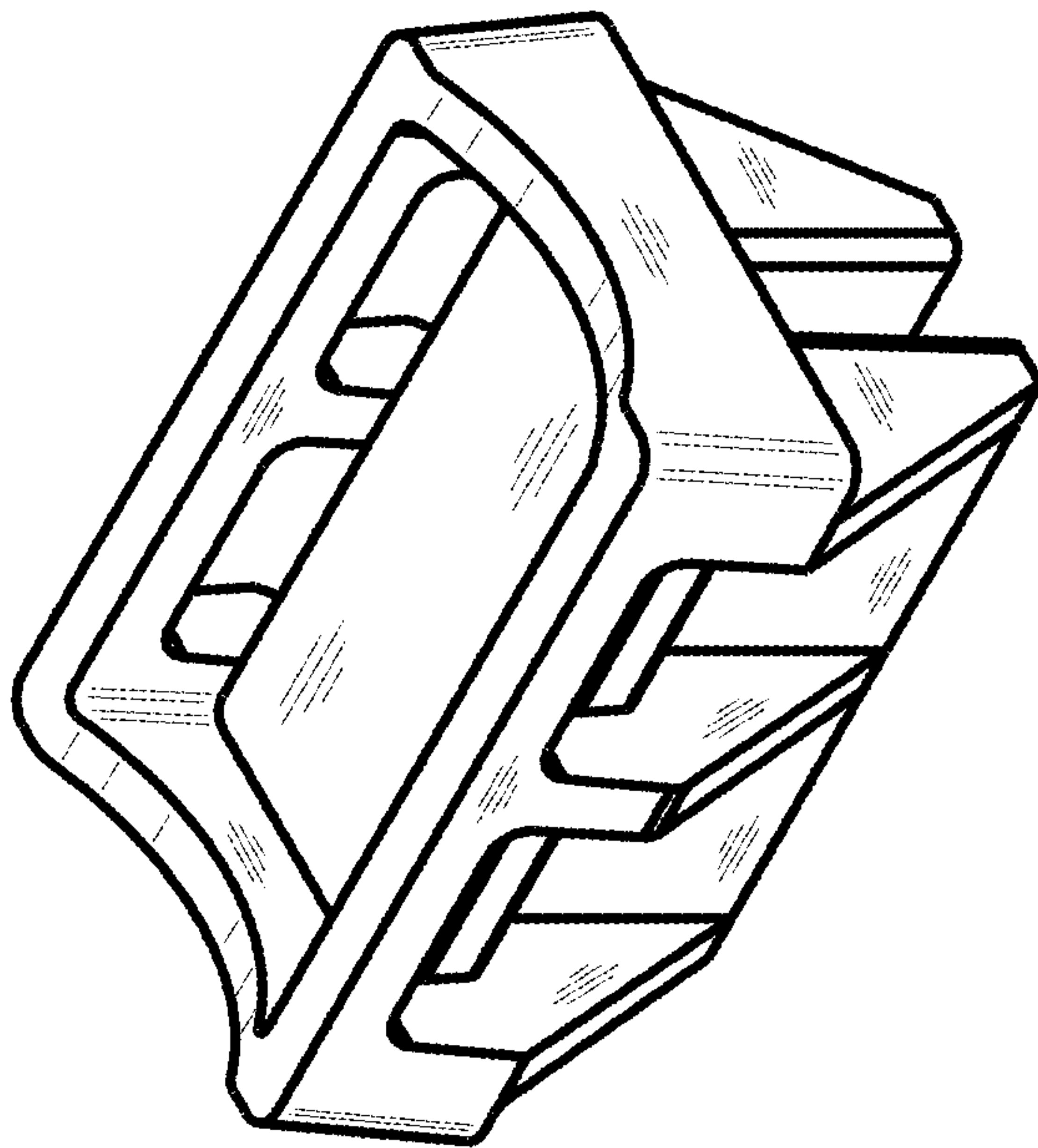


Fig. 1

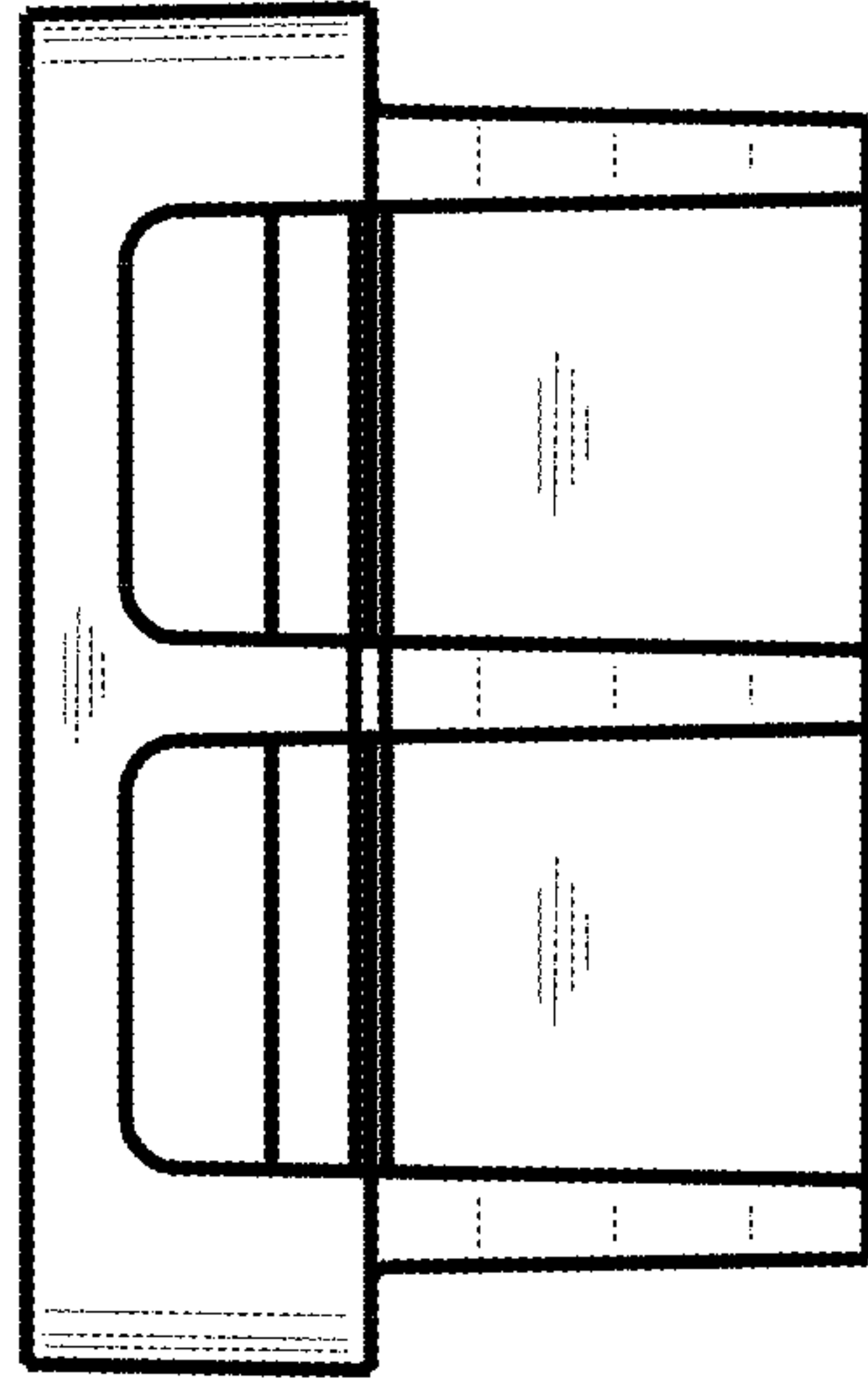


Fig. 2

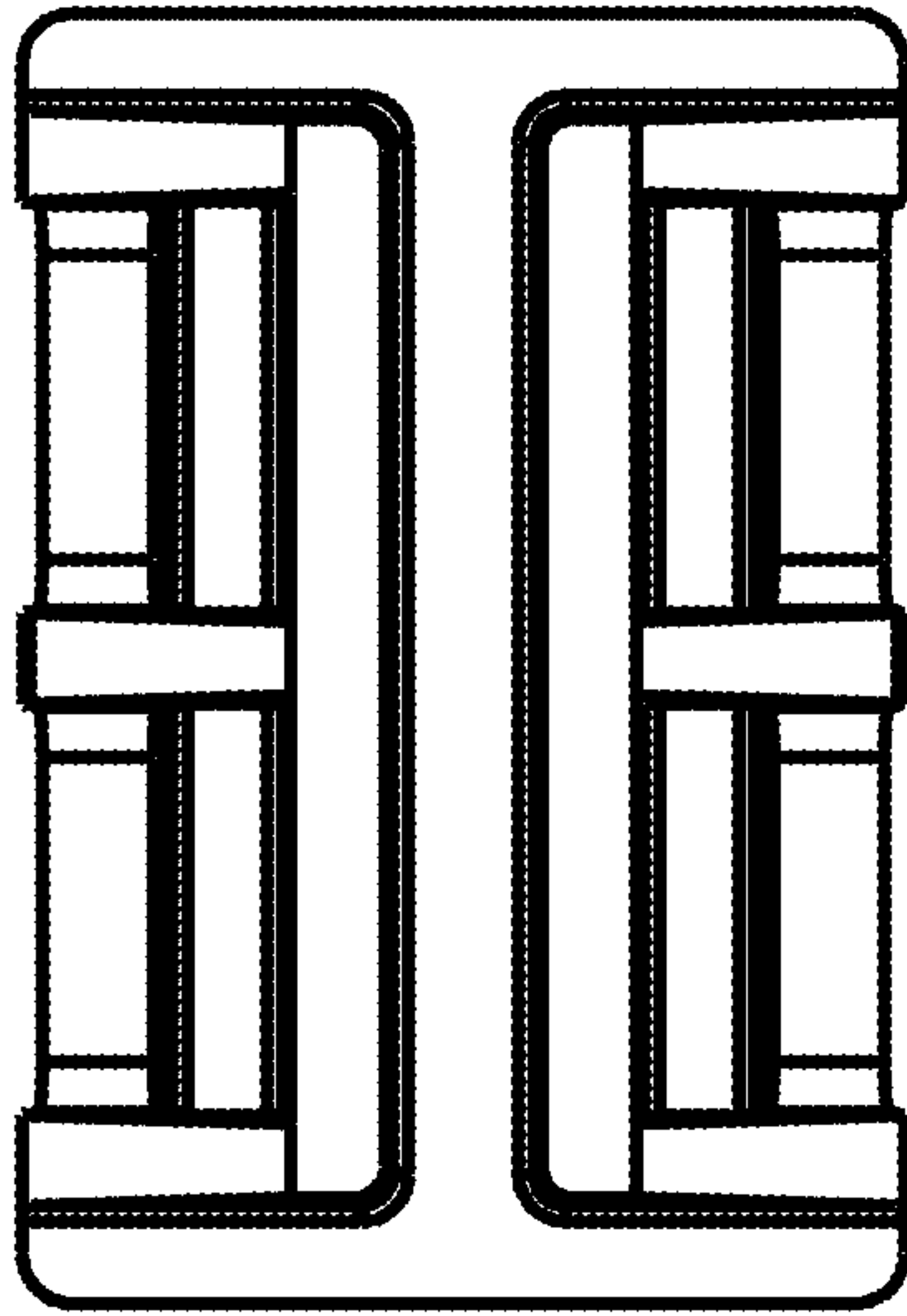


Fig. 3

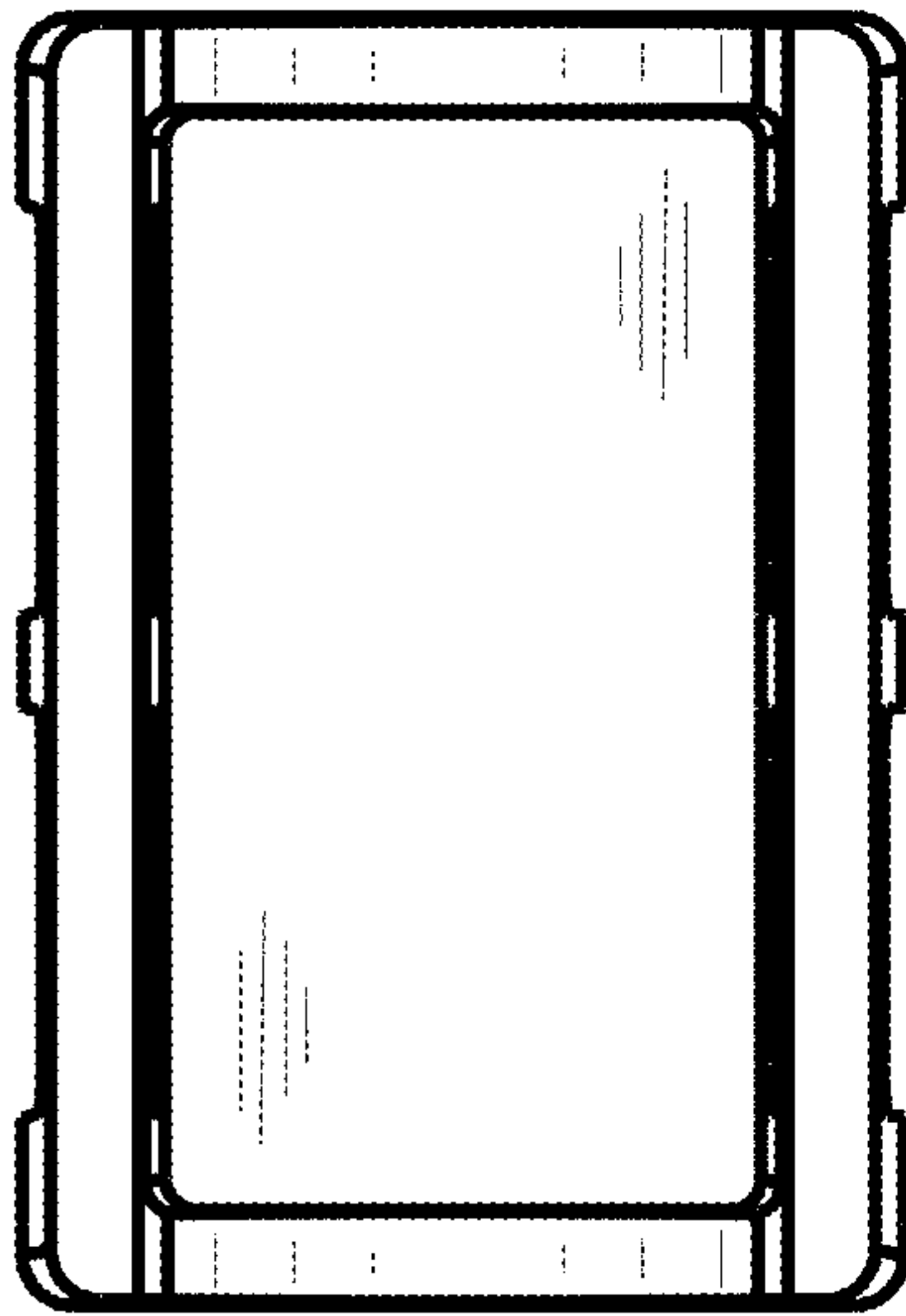


Fig. 4

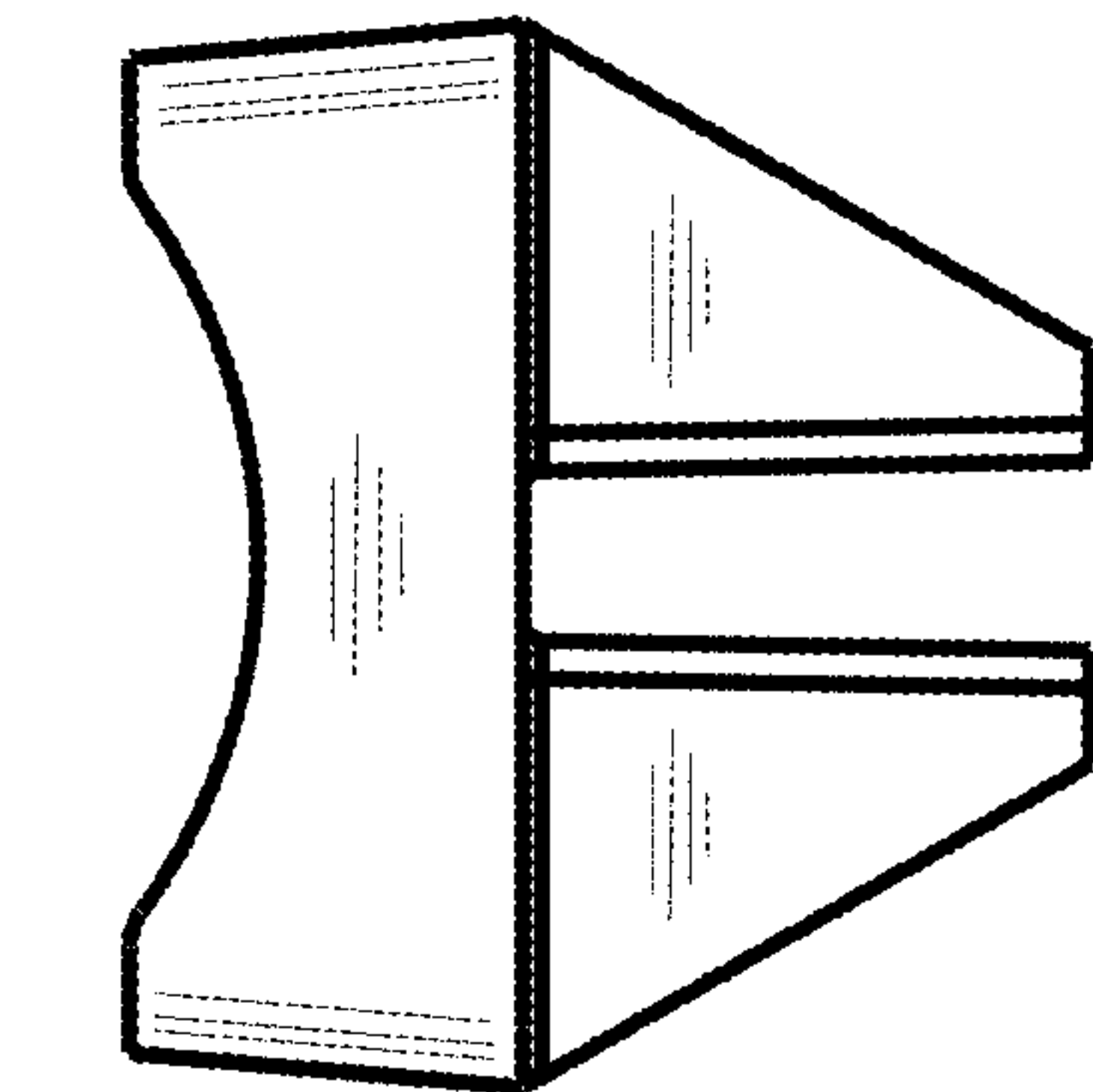


Fig. 5