

US00D879781S

(12) **United States Design Patent**
Zhang

(10) **Patent No.:** **US D879,781 S**
(45) **Date of Patent:** **** Mar. 31, 2020**

(54) **USB HUB**

(71) Applicant: **C-SMARTLINK INFORMATION TECHNOLOGY CO., LIMITED**,
Shenzhen (CN)

(72) Inventor: **Wenfeng Zhang**, Shenzhen (CN)

(73) Assignee: **C-SMARTLINK INFORMATION TECHNOLOGY CO., LIMITED**,
Shenzhen (CN)

(**) Term: **15 Years**

(21) Appl. No.: **29/677,833**

(22) Filed: **Jan. 24, 2019**

(51) **LOC (12) Cl.** **14-02**

(52) **U.S. Cl.**
USPC **D14/433**

(58) **Field of Classification Search**
USPC D14/240, 242, 356, 357, 358, 378, 383,
D14/384, 385, 386, 433, 434, 435.1,
D14/480.1, 480.3, 480.4, 480.5, 480.6,
D14/480.7; D13/103, 107, 108, 110, 146;
D18/12, 12.1, 12.3

CPC H01R 25/003; H01R 25/006; H01R 27/02;
H01R 31/005; H01R 13/60; H01R
13/6658; H01R 13/72; G06F 1/1607;
G06F 1/1632; G06F 1/1684; G06F 1/266;
G06F 11/325; G06F 13/00; G06F 13/12;
G06F 13/14; G06F 13/20; G06F 13/382;
G06F 13/4022; G06F 9/4413

See application file for complete search history.

(56) **References Cited**

U.S. PATENT DOCUMENTS

D559,848 S * 1/2008 Siu D14/433
D628,535 S * 12/2010 Cheng D13/108
D682,196 S * 5/2013 Leung D13/103
D682,197 S * 5/2013 Leung D13/103
D683,765 S * 6/2013 Ahn D14/203.3

D722,952 S * 2/2015 Hu D13/103
D759,660 S * 6/2016 Huang D14/480.5
9,385,549 B2 * 7/2016 Miller H02J 7/342
D765,593 S * 9/2016 Hoshikawa D13/103
D797,659 S * 9/2017 Uggla D13/103
D824,387 S * 7/2018 Oberpriller D14/433
D828,839 S * 9/2018 Zhang D14/433
D828,840 S * 9/2018 Zhang D14/433
D828,841 S * 9/2018 Zhang D14/433
D841,010 S * 2/2019 Kong D14/435.1
D847,139 S * 4/2019 Wang D14/433
D853,396 S * 7/2019 Kong D14/434

(Continued)

OTHER PUBLICATIONS

4-Port Traveller USB Hub With Phone Stand, online, no post date,
URL: https://www.alibaba.com/product-detail/4-Port-Traveller-USB-Hub-With_50036702530.html?spm=a2700.wholesale.maylikeexp.3.62292fdawW3YtP, retrieved Jan. 28, 2020.*

Primary Examiner — Angela J Lee
Assistant Examiner — Rebekah A Caruso

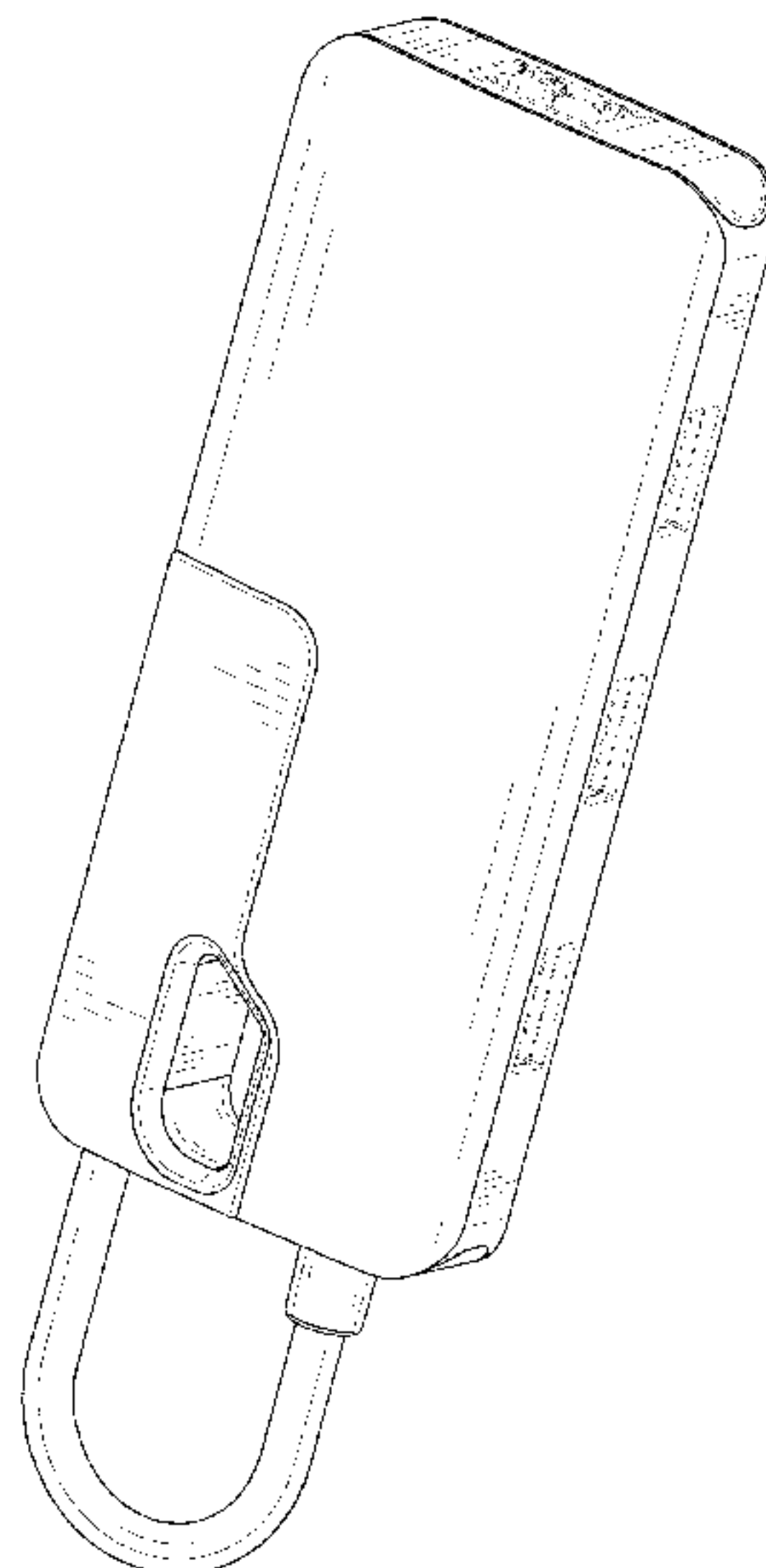
(57) **CLAIM**

The ornamental design for a USB hub, as shown and described.

DESCRIPTION

FIG. 1 is a perspective view of a USB hub showing my new design;
FIG. 2 is another perspective view thereof;
FIG. 3 is a front elevational view thereof;
FIG. 4 is a rear elevational view thereof;
FIG. 5 is a left side elevational view thereof;
FIG. 6 is a right side elevational view thereof;
FIG. 7 is a top plan view thereof; and,
FIG. 8 is a bottom plan view thereof.
The broken lines in the drawings are for the purpose of illustrating portions of the USB hub that form no part of the claimed design.

1 Claim, 8 Drawing Sheets



(56)

References Cited

U.S. PATENT DOCUMENTS

D853,959	S *	7/2019	Miller	D13/108
D854,020	S *	7/2019	Liao	D14/434
D858,529	S *	9/2019	Oberpriller	D14/433
2003/0148656	A1 *	8/2003	Huang	H01R 13/6658 439/501
2006/0252305	A1 *	11/2006	Le	H01R 13/60 439/528
2010/0279518	A1 *	11/2010	Watanabe	H01R 13/44 439/40
2015/0123620	A1 *	5/2015	Nowak	H02J 7/342 320/137
2016/0197445	A1 *	7/2016	Bryngelsson	H01R 13/72 439/501

* cited by examiner

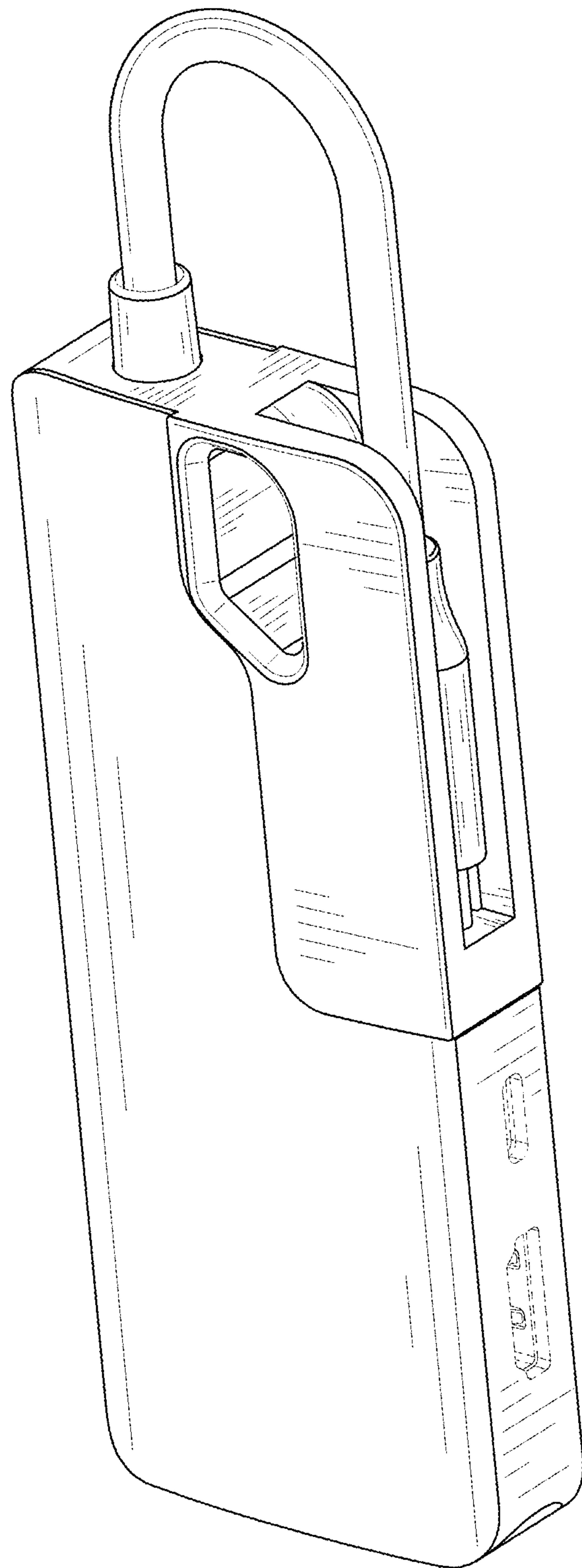


FIG. 1

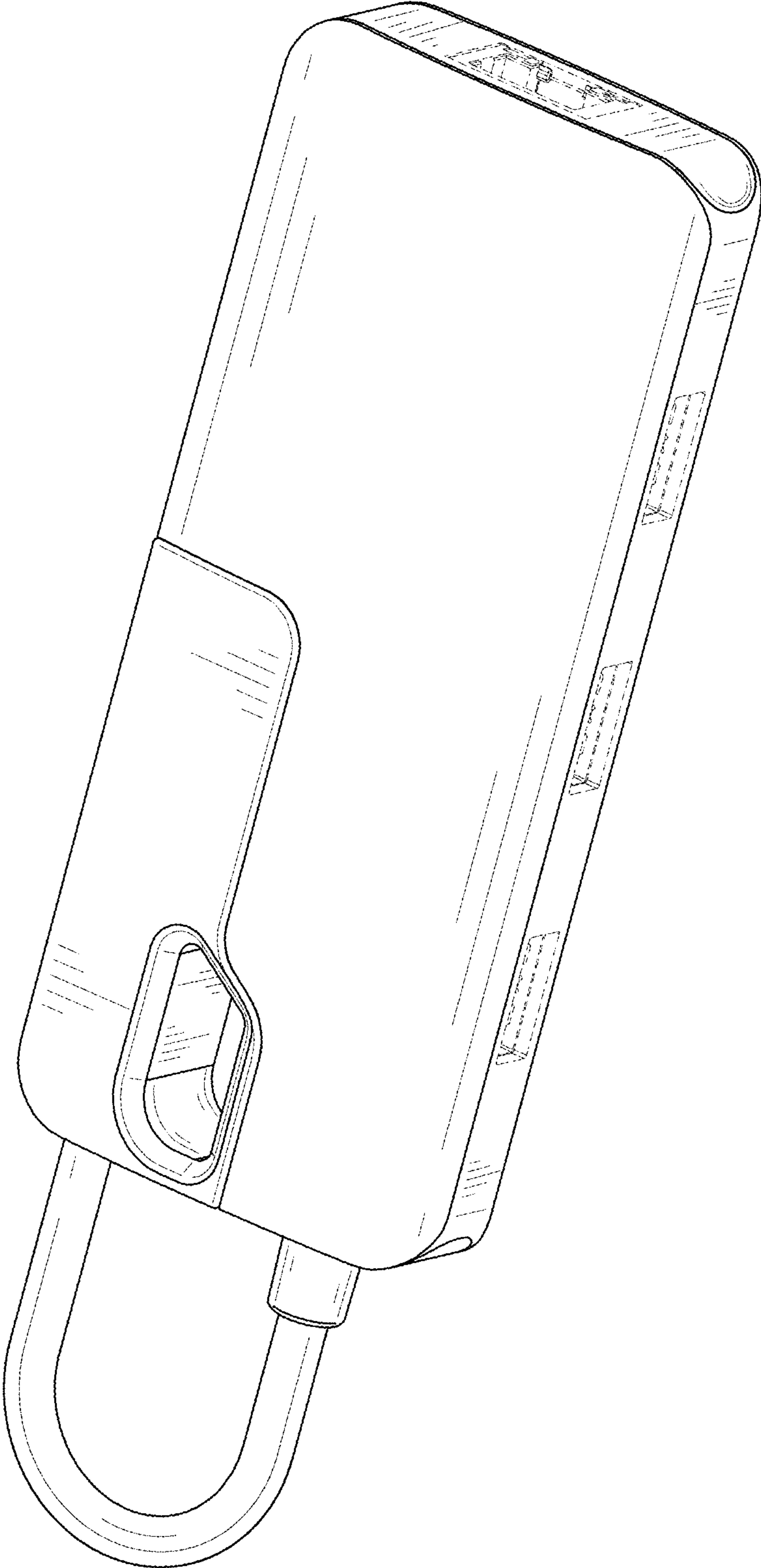


FIG. 2

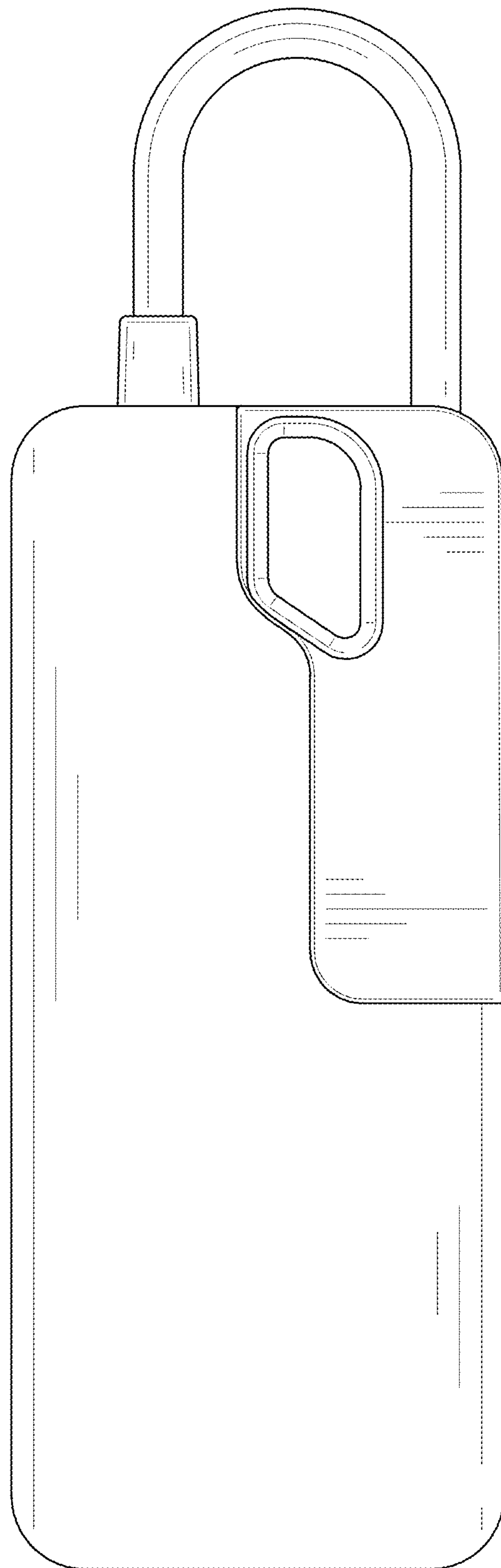


FIG. 3

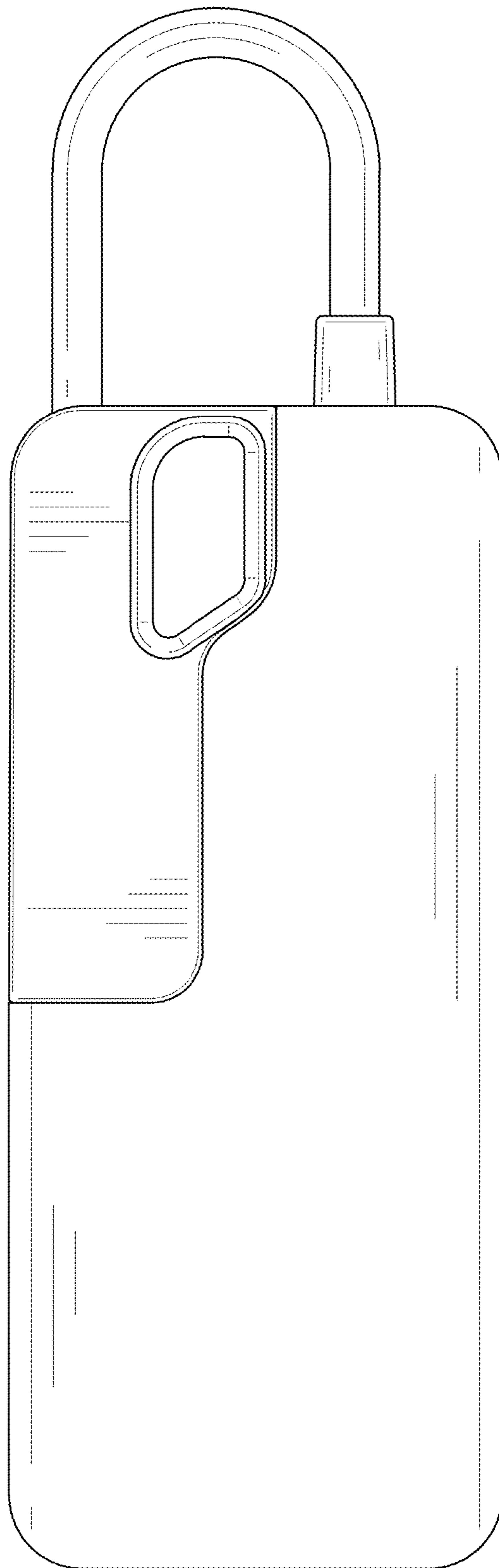


FIG. 4

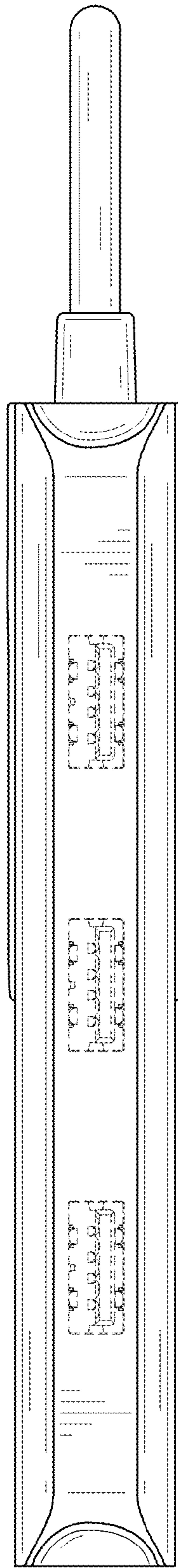


FIG. 5

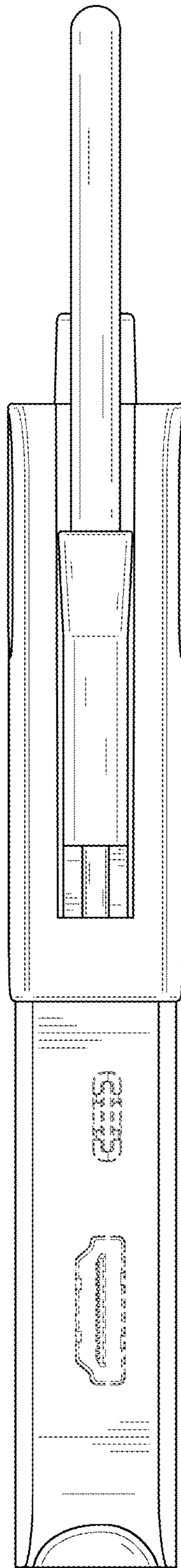


FIG. 6

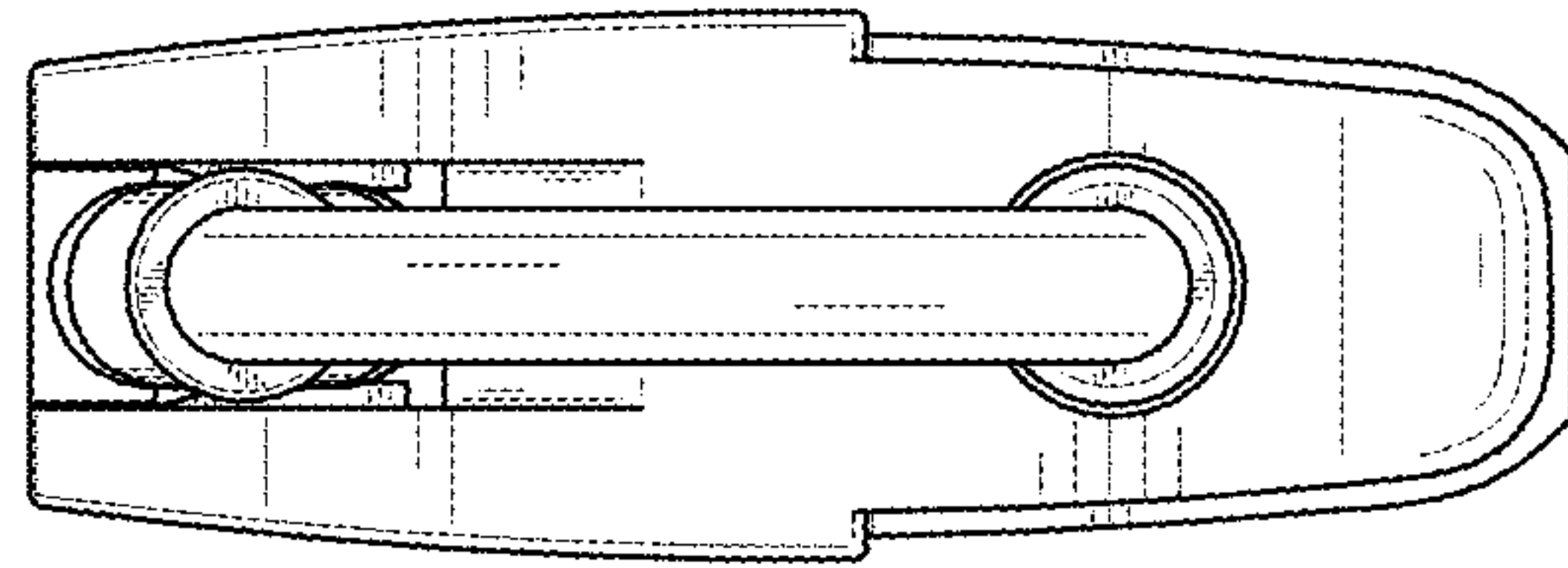


FIG. 7

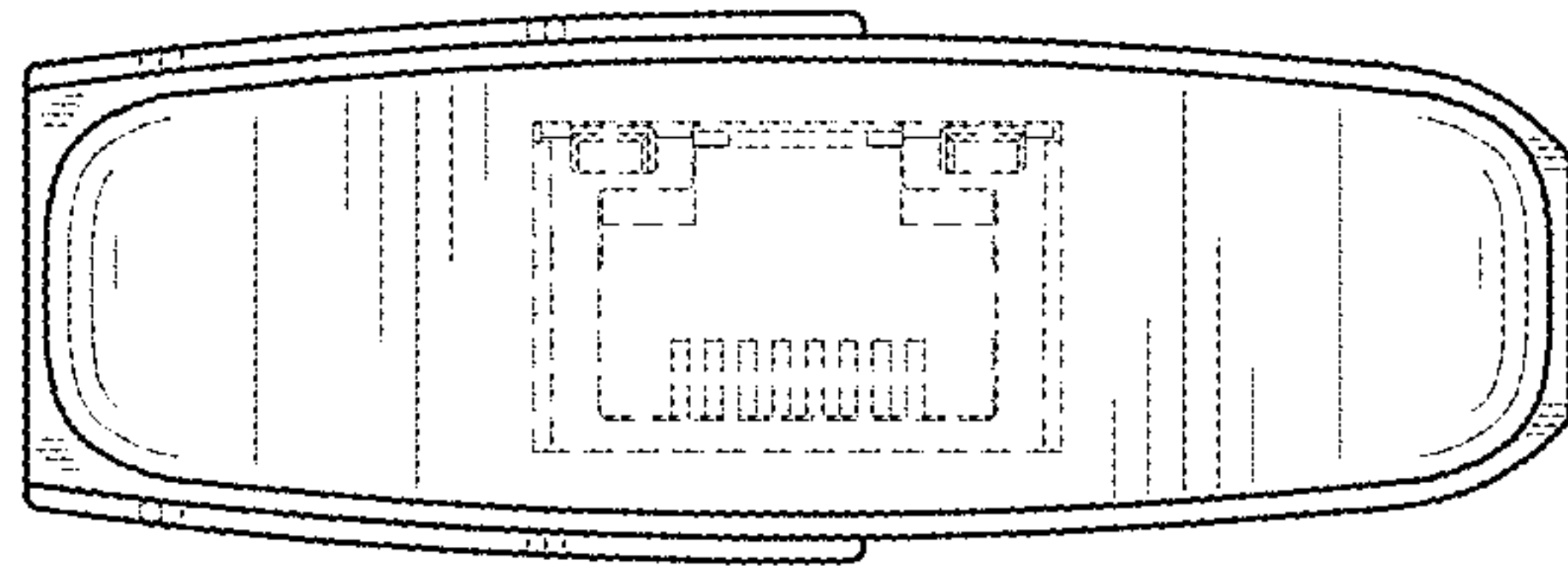


FIG. 8