



US00D879778S

(12) **United States Design Patent** (10) **Patent No.:** **US D879,778 S**  
**Nakajima et al.** (45) **Date of Patent:** **\*\* Mar. 31, 2020**

- (54) **ELECTRONIC PEN**
- (71) Applicant: **FUJITSU LIMITED**, Kawasaki-shi (JP)
- (72) Inventors: **Kohhei Nakajima**, Kawasaki (JP); **Hiroyuki Nakahata**, Oota-ku (JP)
- (73) Assignee: **FUJITSU LIMITED**, Kawasaki (JP)
- (\*\*) Term: **15 Years**
- (21) Appl. No.: **29/628,509**
- (22) Filed: **Dec. 5, 2017**

- D601,192 S \* 9/2009 Chen ..... D19/182
- D641,755 S \* 7/2011 Rashid ..... D14/411
- D644,691 S \* 9/2011 Pagani ..... D19/173
- D660,910 S \* 5/2012 Carpenter ..... D19/133
- D681,113 S \* 4/2013 Huang ..... D19/185
- D686,619 S \* 7/2013 Liu ..... D14/411
- D688,665 S \* 8/2013 Huang ..... D14/411
- D721,375 S 1/2015 Choi
- D735,211 S 7/2015 Itano
- D740,296 S 10/2015 Itano
- D743,964 S \* 11/2015 Swessi ..... D14/411
- D744,038 S \* 11/2015 Wang ..... D19/182
- D768,133 S \* 10/2016 Reed ..... D14/411
- D785,634 S 5/2017 Iwamoto
- D787,517 S 5/2017 Chou
- D791,780 S 7/2017 Bailey
- D799,496 S 10/2017 Bailey
- D825,566 S \* 8/2018 Peterson ..... D14/411

(Continued)

**Related U.S. Application Data**

- (62) Division of application No. 35/501,635, filed on Mar. 31, 2016 (U.S. filing date under 35 U.S.C. 384), and having an international filing date of Mar. 31, 2016, now Pat. No. Des. 815,644.
- (51) **LOC (12) Cl.** ..... **14-02**
- (52) **U.S. Cl.**  
USPC ..... **D14/411**
- (58) **Field of Classification Search**  
USPC ..... D14/372, 496, 432, 371, 125, 126, 129, D14/299, 411; D16/300-342; 351/158, 351/153, 144; 455/344; 345/7-9, 905; 348/115, 53, 121, 739  
CPC ..... G02B 27/017; G06F 3/016; G06F 3/033; G06F 3/0317; G06F 3/03545; G06F 3/041; G06K 9/222  
See application file for complete search history.

*Primary Examiner* — Austin Murphy

(74) *Attorney, Agent, or Firm* — Oblon, McClelland, Maier & Neustadt, L.L.P.

(57) **CLAIM**

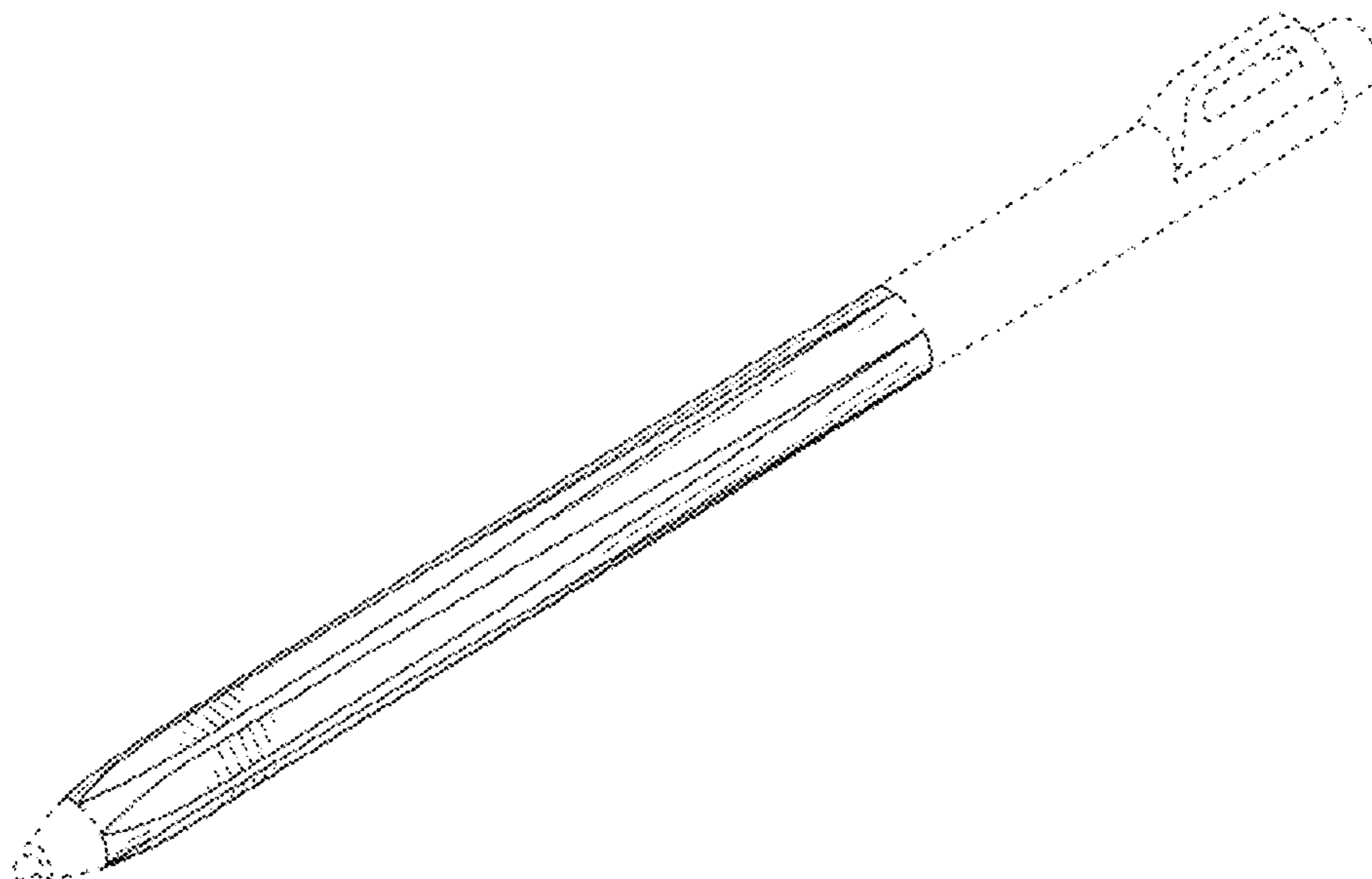
The ornamental design for an electronic pen, as shown and described.

**DESCRIPTION**

FIG. 1 is a front, top, and right side perspective view of an electronic pen;  
 FIG. 2 is a right side elevational view thereof;  
 FIG. 3 is a left side elevational view thereof;  
 FIG. 4 is a top plan view thereof;  
 FIG. 5 is a front elevational view thereof;  
 FIG. 6 is a cross-sectional view thereof taken along line 6-6 in FIG. 2; and,  
 FIG. 7 is another cross-section view thereof taken along line 7-7 in FIG. 2.  
 The broken lines shown in the drawings illustrate portions of the electronic pen that form no part of the claimed design.

**1 Claim, 7 Drawing Sheets**

- (56) **References Cited**  
U.S. PATENT DOCUMENTS  
D383,780 S \* 9/1997 Young ..... D19/166  
D399,255 S \* 10/1998 Melnick ..... D19/173  
D501,877 S \* 2/2005 Granick ..... D19/186



(56)

**References Cited**

U.S. PATENT DOCUMENTS

D826,230 S	*	8/2018	Peterson .....	D14/411
D851,704 S	*	6/2019	Vadenne .....	D19/195
D864,298 S	*	10/2019	Li .....	D19/177

\* cited by examiner

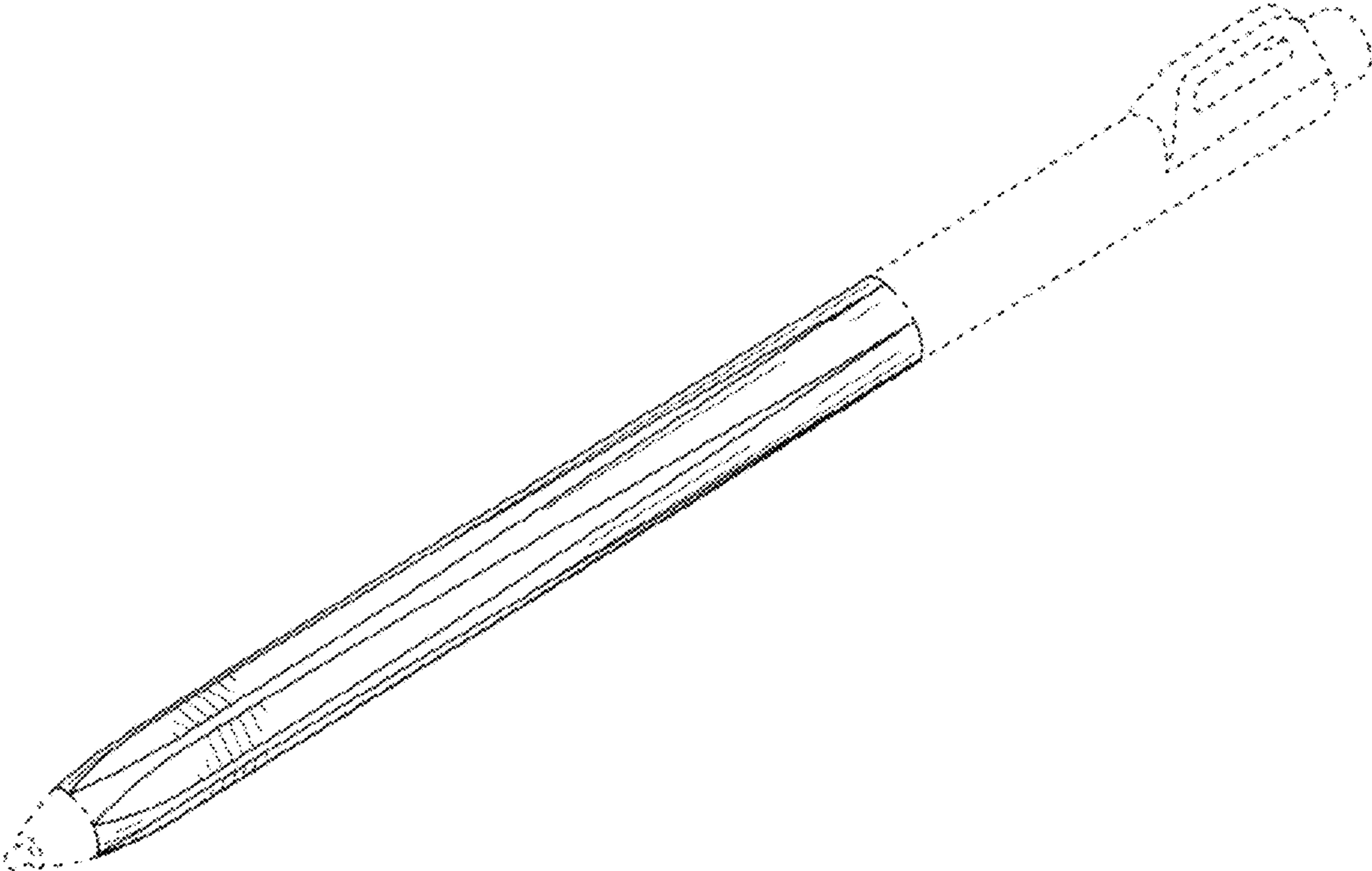


FIG. 1

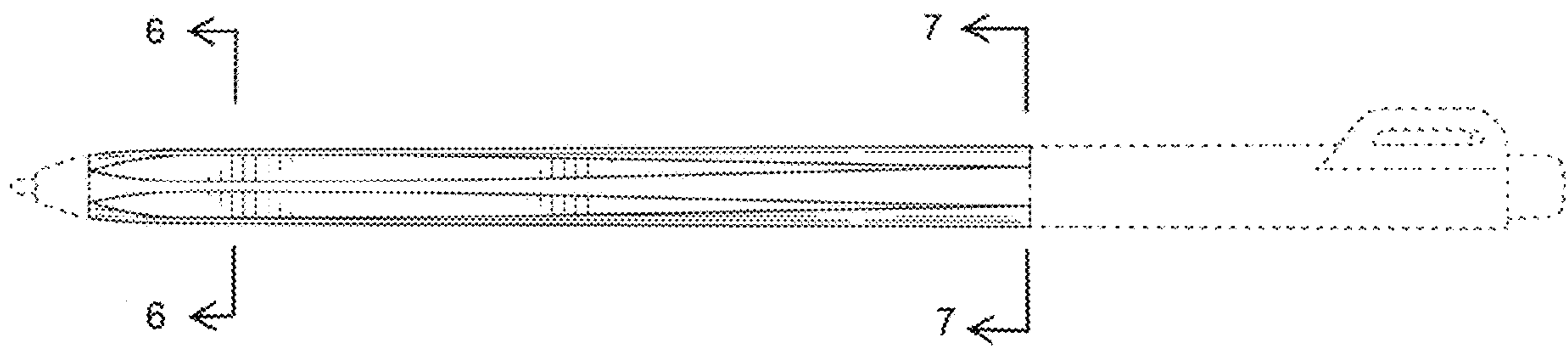


FIG. 2

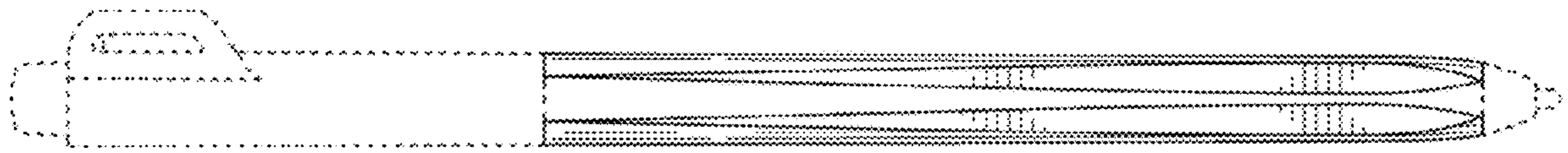


FIG. 3

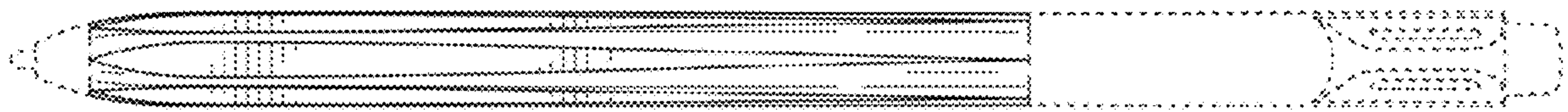


FIG. 4



FIG. 5

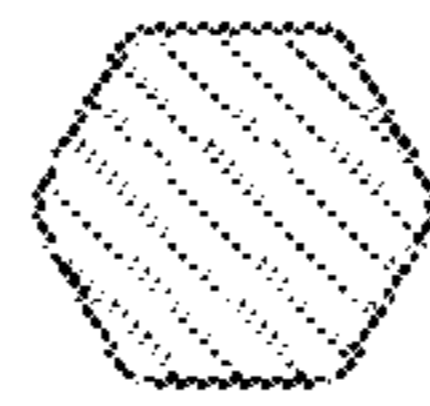


FIG. 6



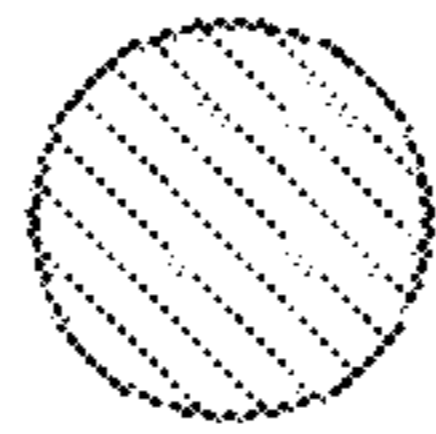


FIG. 7