



US00D879775S

(12) **United States Design Patent**
Ebrahimi Afrouzi et al.

(10) **Patent No.:** **US D879,775 S**
(45) **Date of Patent:** **** Mar. 31, 2020**

- (54) **VIRTUAL BARRIER DEVICE**
- (71) Applicants: **Ali Ebrahimi Afrouzi**, San Jose, CA (US); **Shahin Fathi Djalali**, San Francisco, CA (US)
- (72) Inventors: **Ali Ebrahimi Afrouzi**, San Jose, CA (US); **Shahin Fathi Djalali**, San Francisco, CA (US)
- (73) Assignee: **AI Incorporated**, Toronto (CA)
- (**) Term: **15 Years**
- (21) Appl. No.: **29/636,473**
- (22) Filed: **Feb. 8, 2018**
- (51) **LOC (12) Cl.** **14-02**
- (52) **U.S. Cl.**
USPC **D14/358**; D14/230; D10/104.1
- (58) **Field of Classification Search**
USPC D14/356, 357, 358, 240, 242, 125, 155, D14/167, 168, 172, 188, 191, 217, 218, D14/230, 388, 299, 496; D10/104.1, D10/106.1, 106.6, 106.9, 113.3, 116.1; D32/25, 31; D15/199
CPC .. G01S 1/00; G01S 1/725; G05D 1/02; G05D 1/021; G05D 1/0044; G05D 1/0255; G05D 2201/02; G05D 2201/0215
See application file for complete search history.

- 6,396,924 B1 * 5/2002 Suso H04M 1/0218 379/433.13
- D483,327 S * 12/2003 Matsuoka D14/155
- D491,481 S * 6/2004 Aiston D10/104.1
- D497,318 S * 10/2004 Strand D10/104.1
- D501,643 S * 2/2005 Strand D10/104.1
- D509,789 S * 9/2005 Motoishi D14/155

(Continued)

Primary Examiner — Marie D. Fast Horse

(57) **CLAIM**

The ornamental design for a virtual barrier device, as shown and described.

DESCRIPTION

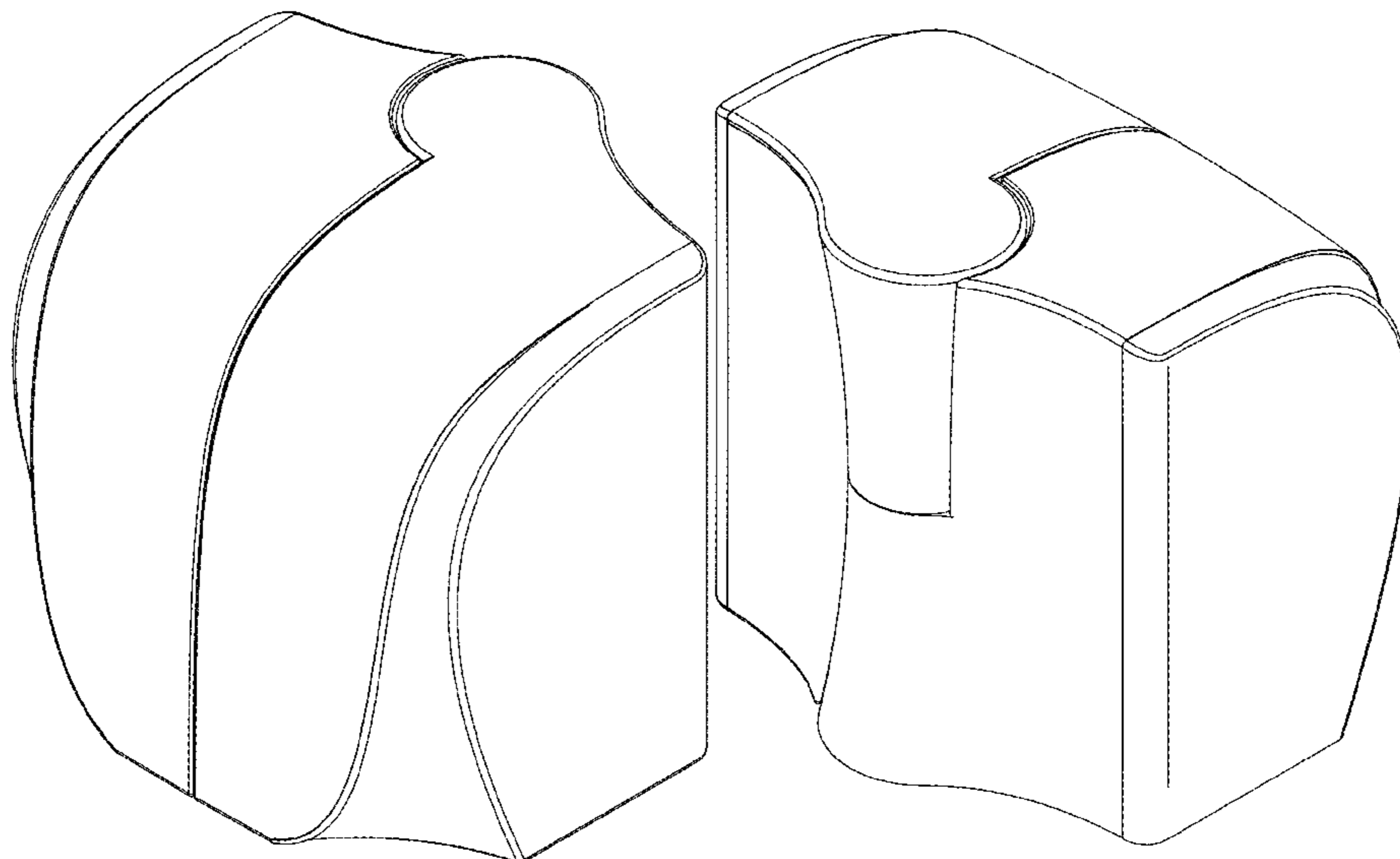
FIG. 1 is a front elevation view of a virtual barrier device showing our new design;
 FIG. 2 is a side view thereof;
 FIG. 3 is a rear view thereof;
 FIG. 4 is a top view thereof;
 FIG. 5 is a bottom view thereof;
 FIG. 6 is a front perspective view thereof;
 FIG. 7 is a rear perspective view thereof;
 FIG. 8 is a front view with one side opened and rotated outwards 90 degrees;
 FIG. 9 is a side view with one side opened and rotated outwards 90 degrees;
 FIG. 10 is a rear view with one side opened and rotated outwards 90 degrees;
 FIG. 11 is a top view with one side opened and rotated outwards 90 degrees;
 FIG. 12 is a bottom view with one side opened and rotated outwards 90 degrees;
 FIG. 13 is a front perspective view with one side opened and rotated outwards 90 degrees;
 FIG. 14 is a rear perspective view with one side opened and rotated outwards 90 degrees; and,
 FIG. 15 is a side perspective view with one side opened and rotated outwards 90 degrees.

1 Claim, 15 Drawing Sheets

(56) **References Cited**

U.S. PATENT DOCUMENTS

- D317,311 S * 6/1991 Anderson D14/240
- D336,089 S * 6/1993 Crawshaw D14/299
- D350,956 S * 9/1994 Sumikawa D14/155
- D414,476 S * 9/1999 Hibino D14/358
- D415,131 S * 10/1999 Chang D14/433
- D424,534 S * 5/2000 Priestman D14/336
- D437,596 S * 2/2001 Matsui D14/358
- D448,374 S * 9/2001 Liu D14/358
- D456,351 S * 4/2002 Yoneda D13/108



(56)

References Cited

U.S. PATENT DOCUMENTS

D519,099 S * 4/2006 Liu D14/137
 D537,409 S * 2/2007 Suzuki D14/155
 D541,793 S * 5/2007 Katsumata D14/240
 D556,212 S * 11/2007 Hussaini D14/496
 D586,773 S * 2/2009 Kim D14/138 AB
 D600,237 S * 9/2009 Kwon D14/137
 8,680,816 B2 * 3/2014 Li G05D 1/0255
 320/107
 D741,300 S * 10/2015 Yohai-Giochais D14/230
 D770,534 S * 11/2016 Thissen D14/496
 D787,299 S * 5/2017 Liu D8/330
 D788,603 S * 6/2017 Liu D10/102
 9,764,473 B1 * 9/2017 Ebrahimi Afrouzi
 G05D 1/0234
 D805,939 S * 12/2017 Park D10/104.1
 D805,941 S * 12/2017 Jou D10/106.6
 D807,867 S * 1/2018 Kato D14/240
 9,868,211 B2 * 1/2018 Williams G05D 1/0274
 D815,096 S * 4/2018 Ebrahimi Afrouzi D14/433
 D822,516 S * 7/2018 Van Curen D10/104.1
 D823,516 S * 7/2018 Xiao D26/65
 D846,536 S * 4/2019 Ebrahimi Afrouzi D14/230
 D860,027 S * 9/2019 Siminoff D10/106.6
 2006/0259194 A1 * 11/2006 Chiu G05D 1/0255
 700/245
 2016/0291596 A1 * 10/2016 Ebrahimi Afrouzi
 G05D 1/0234

* cited by examiner

FIG. 1

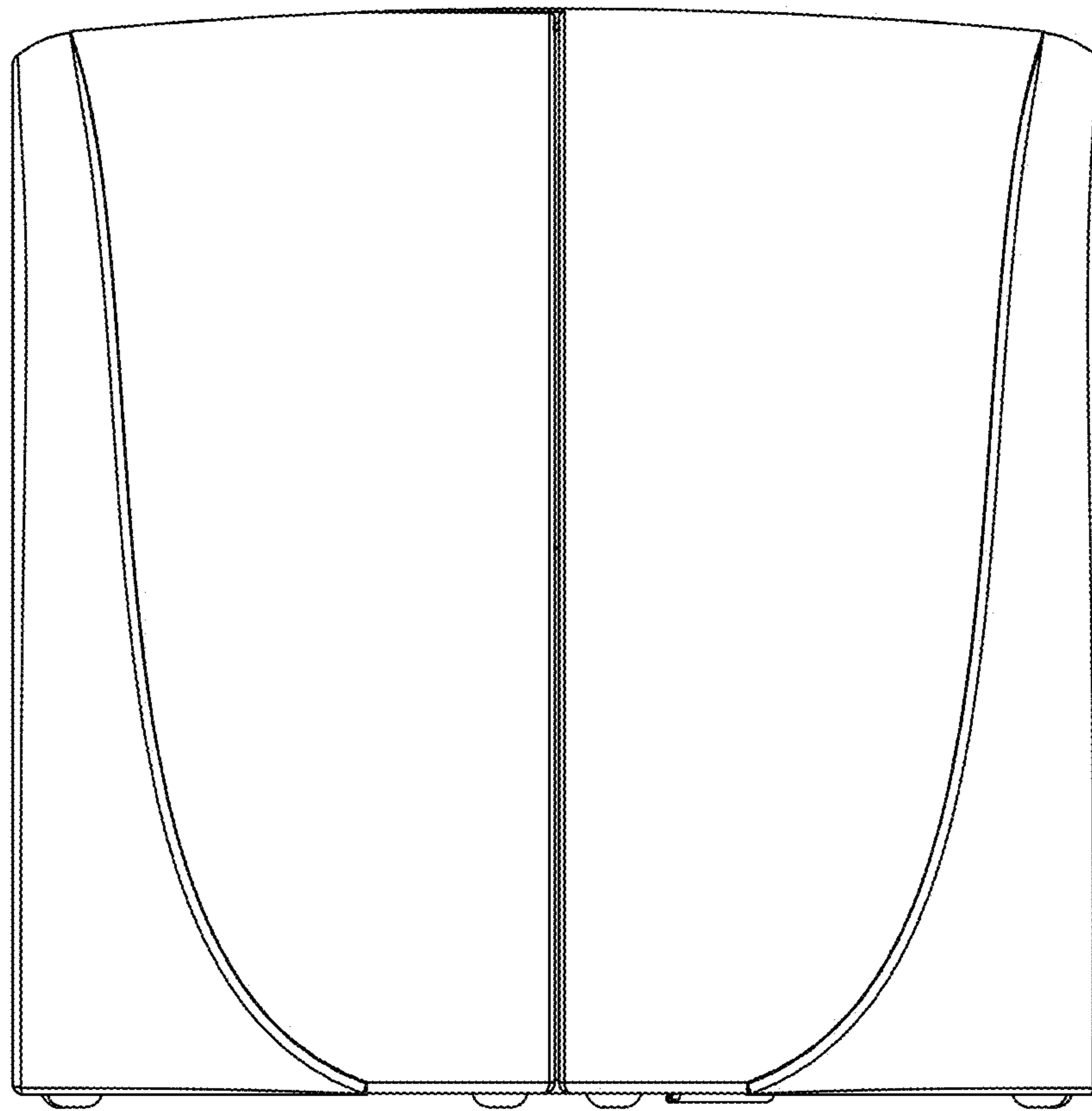


FIG. 2

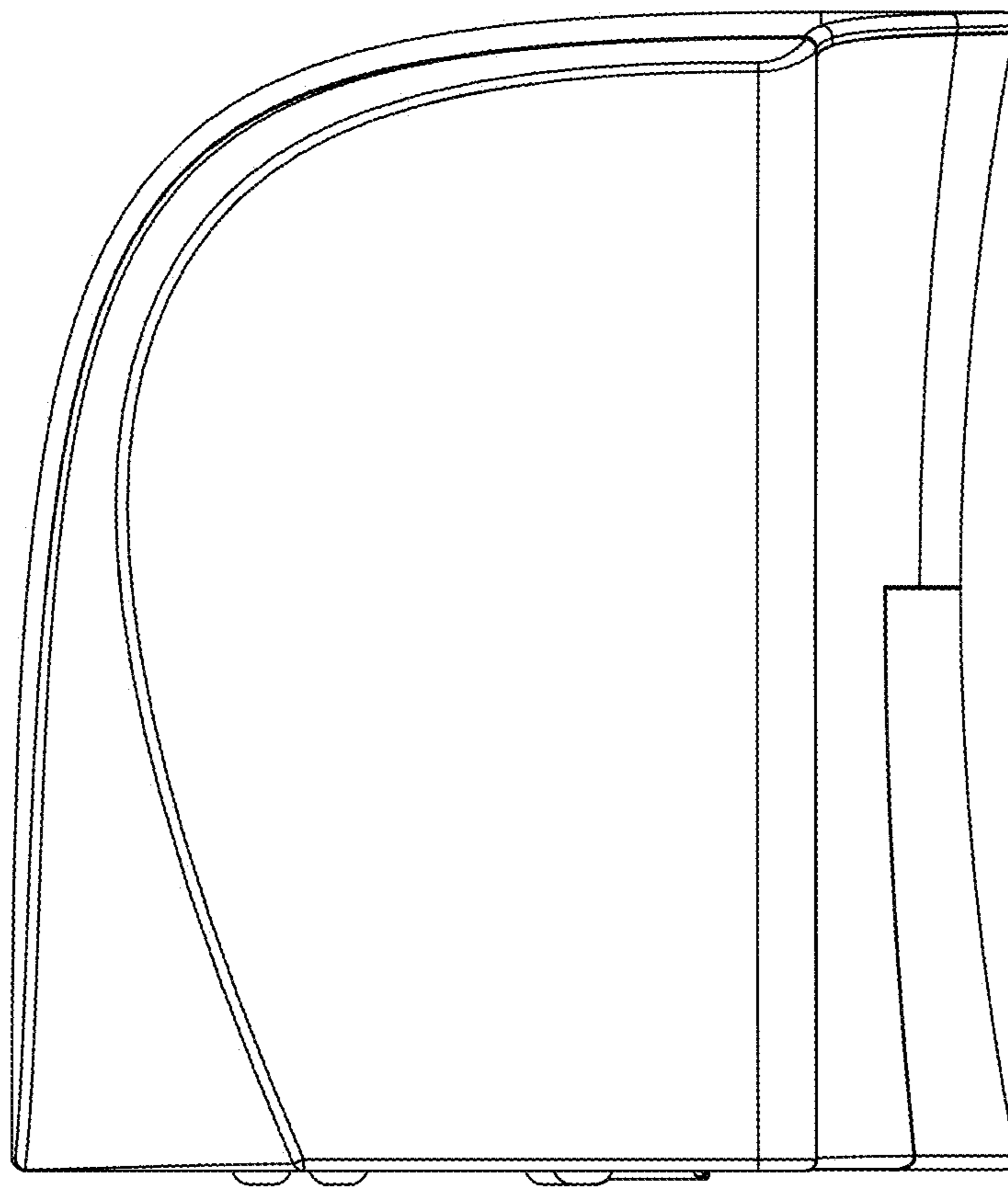


FIG. 3

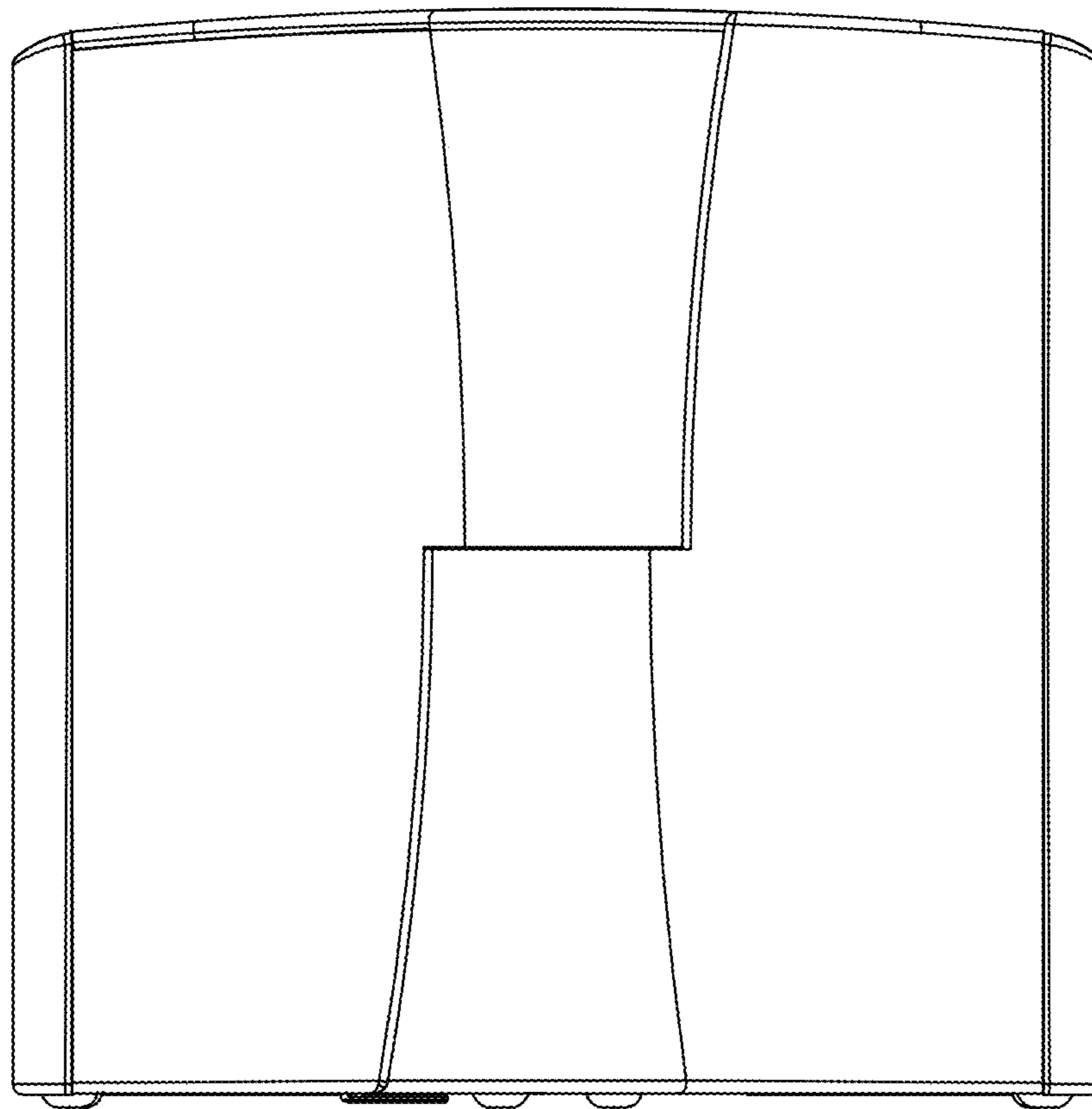


FIG. 4

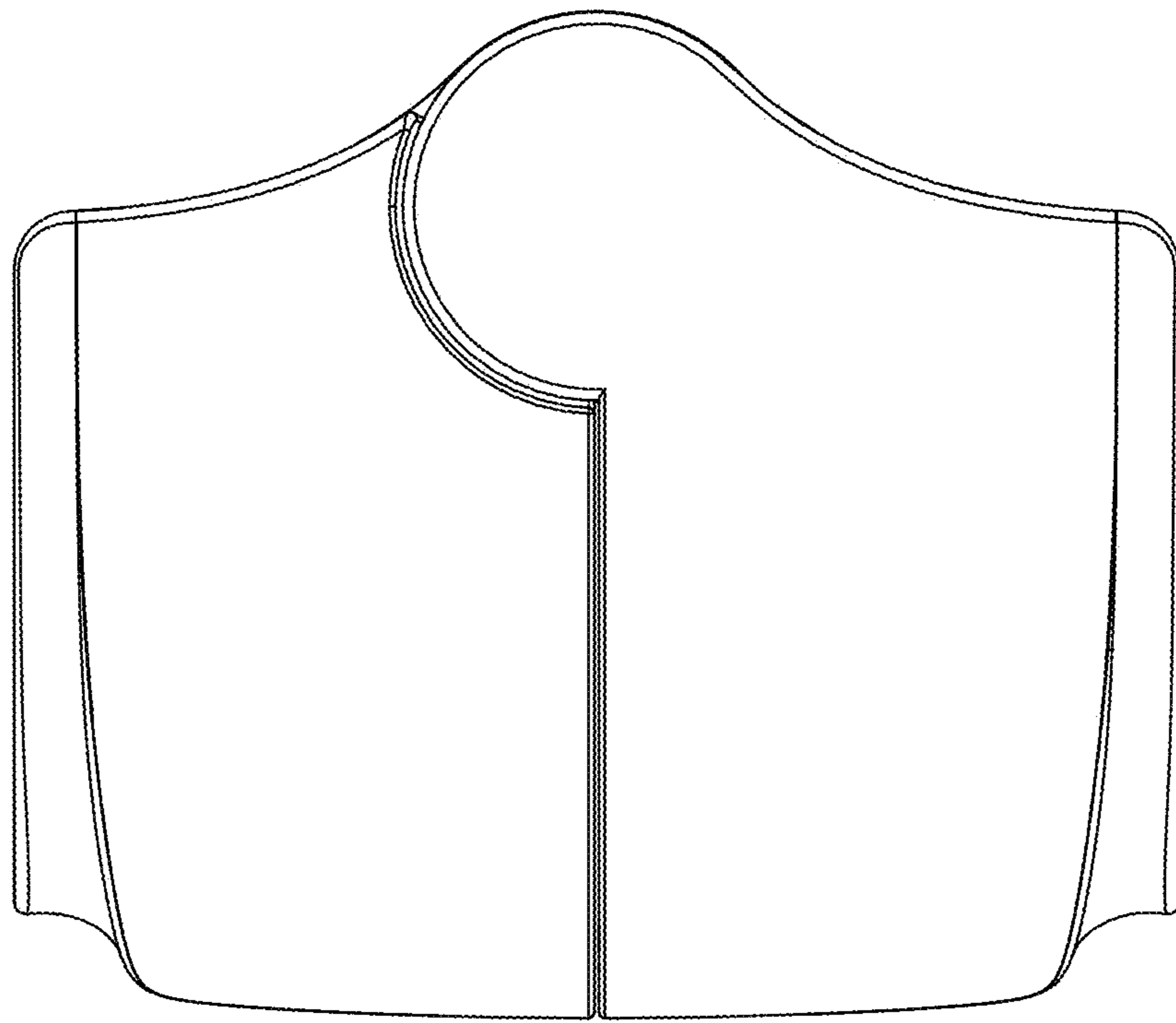


FIG. 5

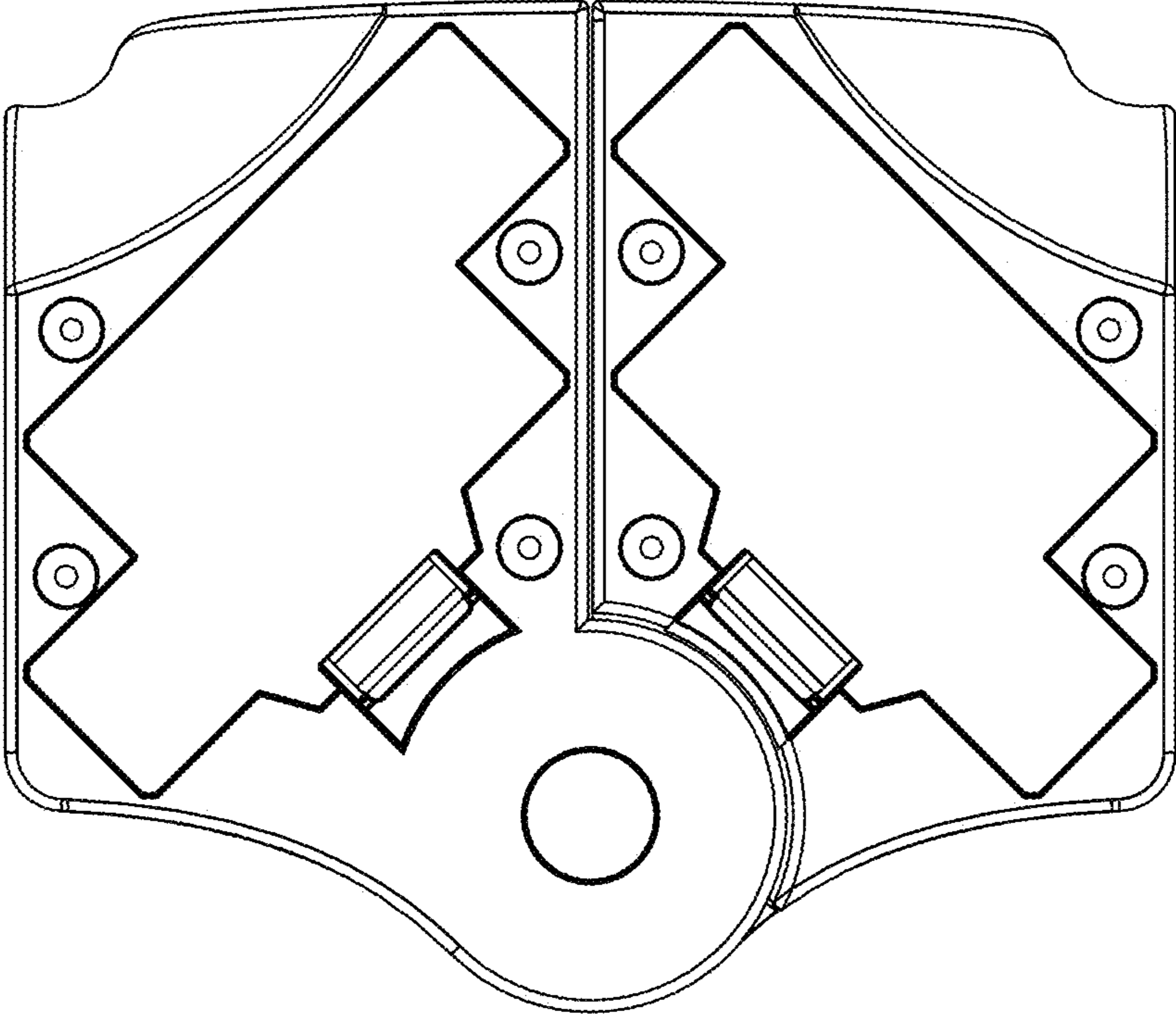


FIG. 6

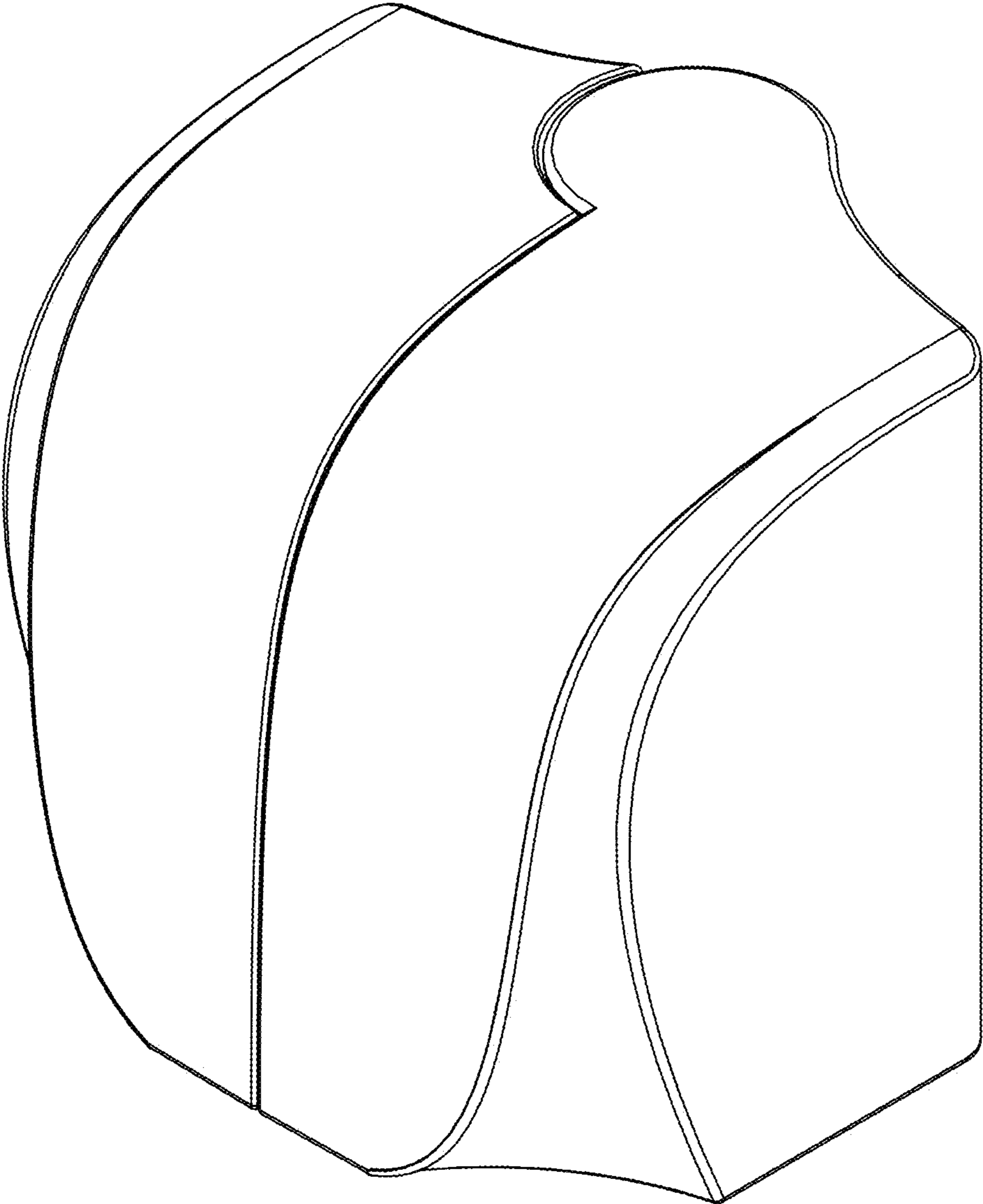


FIG. 7

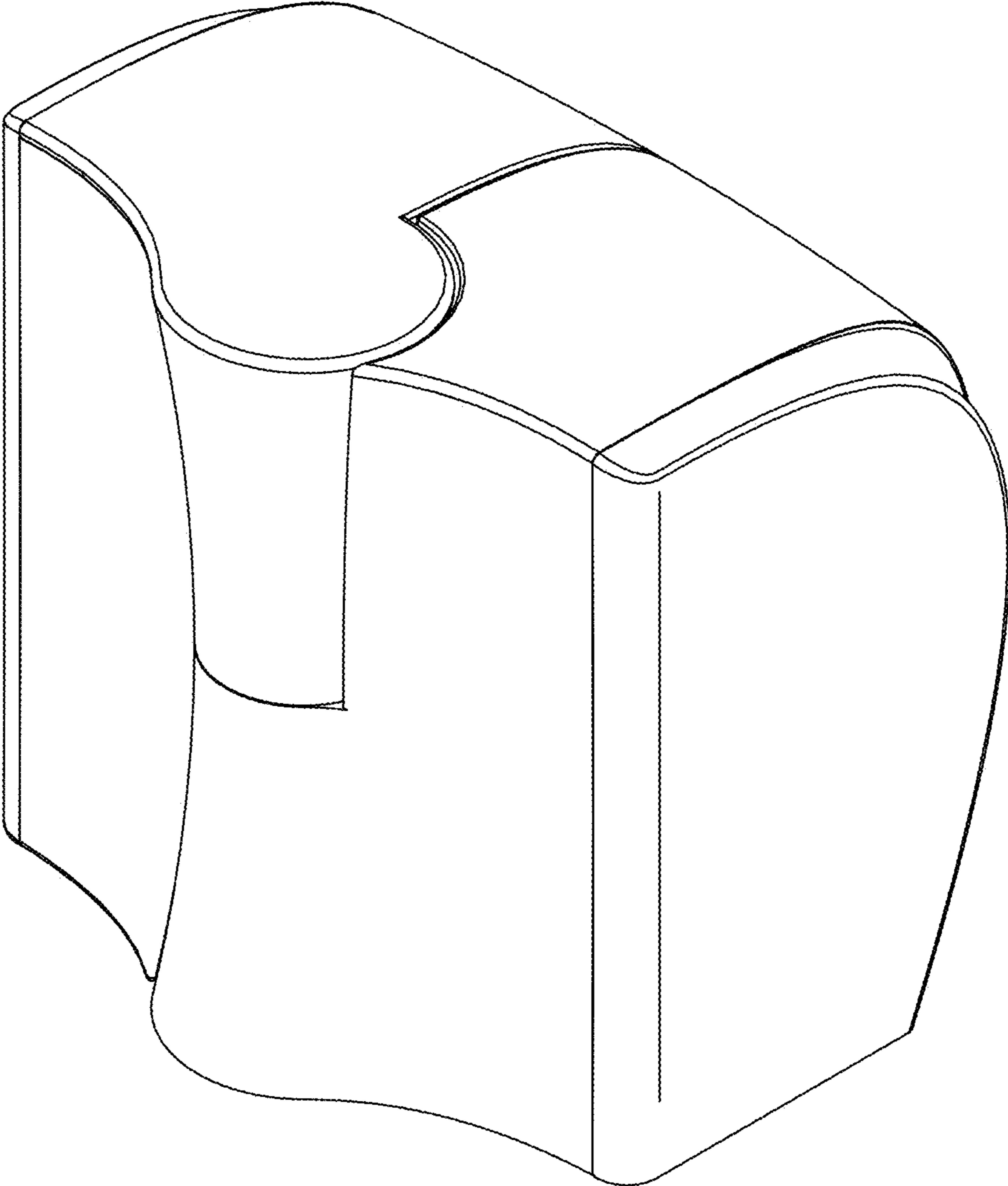


FIG. 8

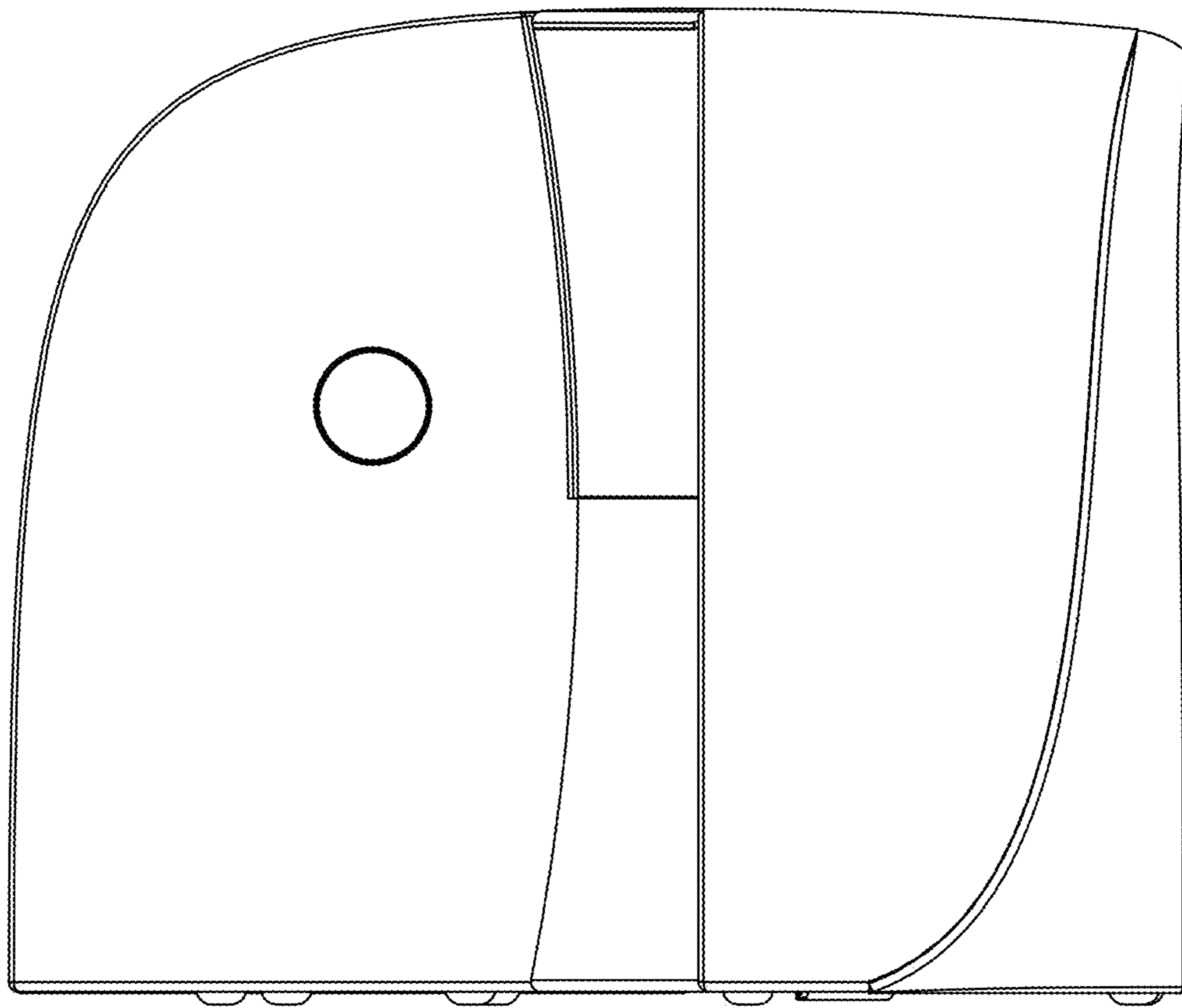


FIG. 9

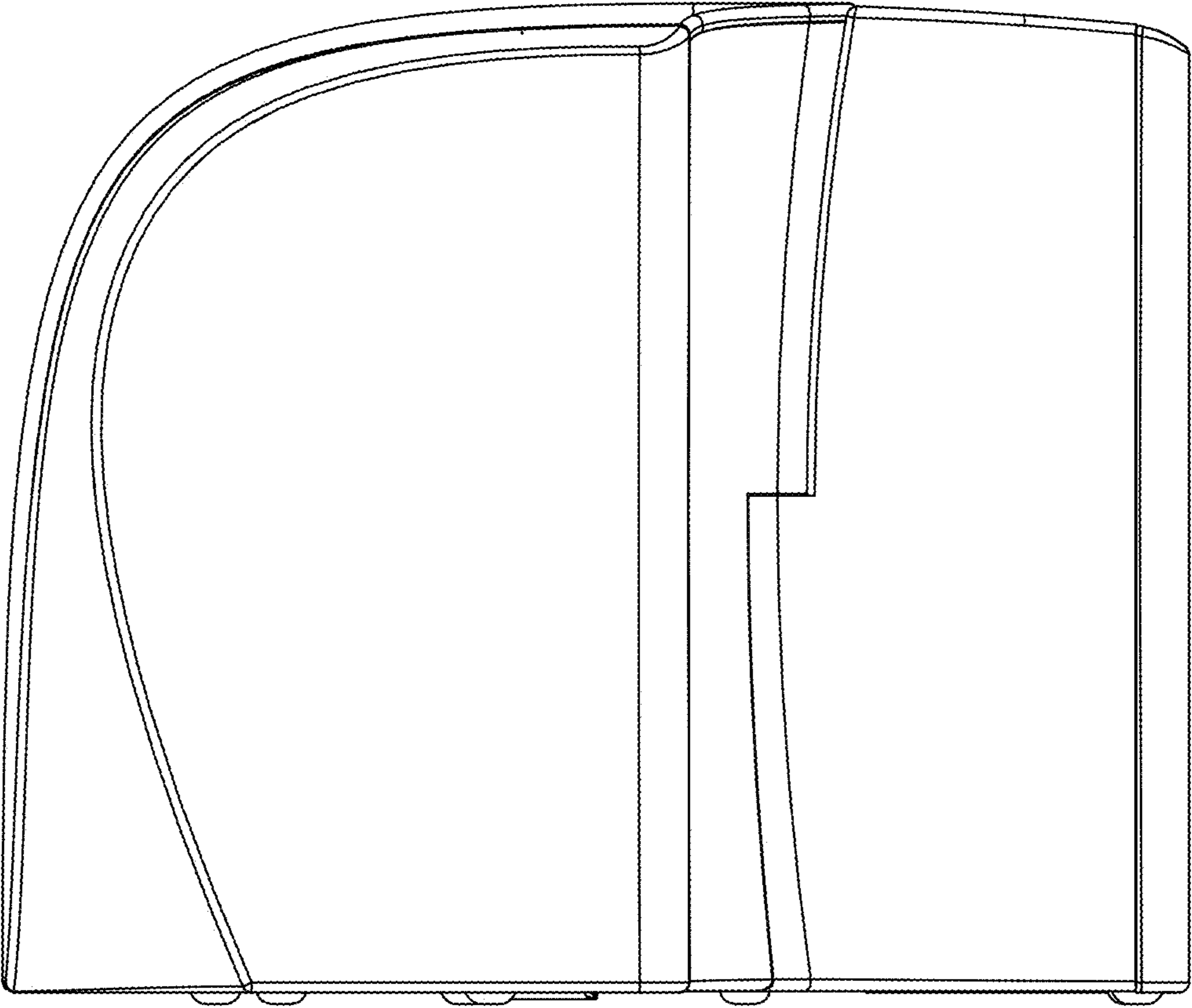


FIG. 10

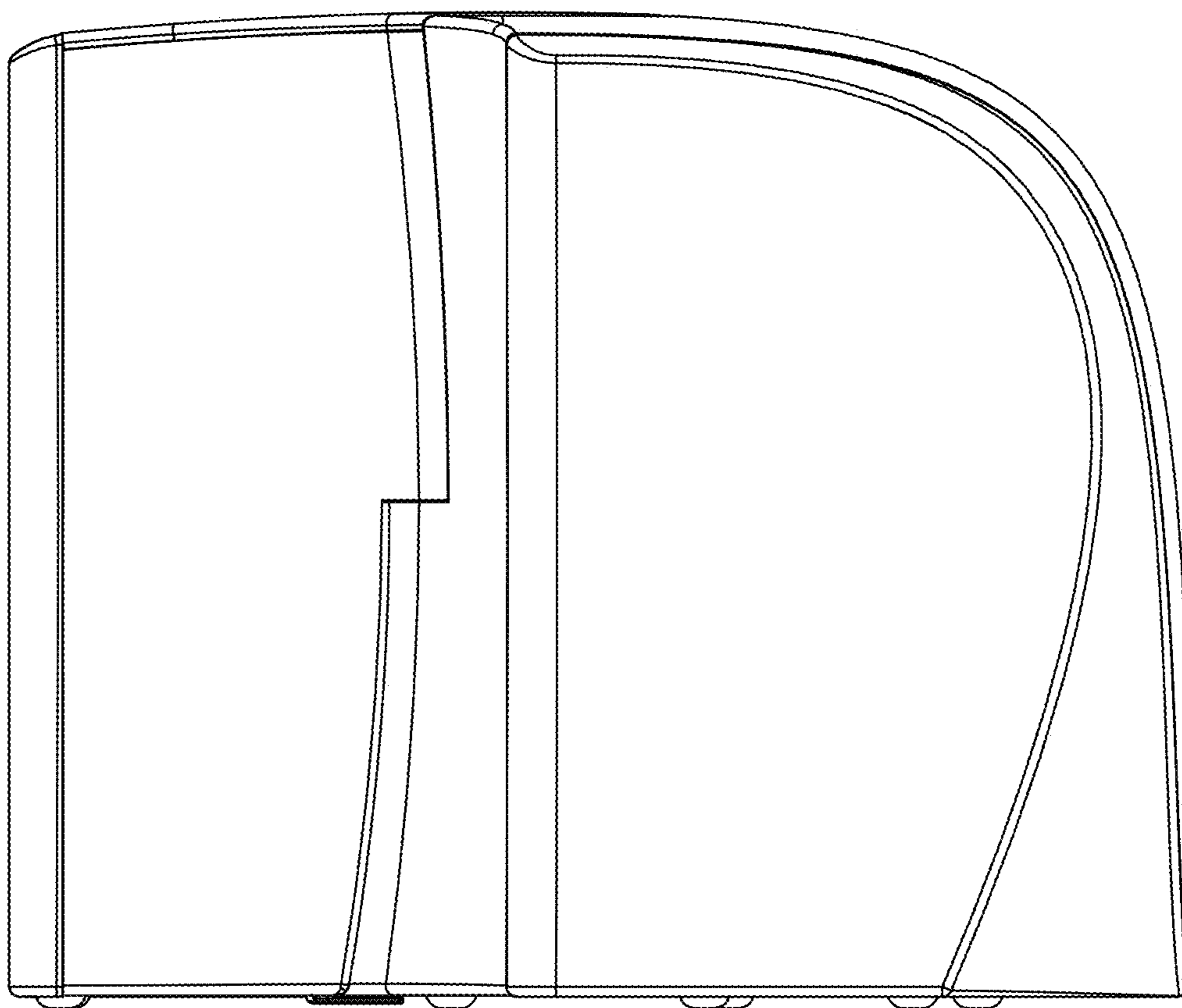


FIG. 11

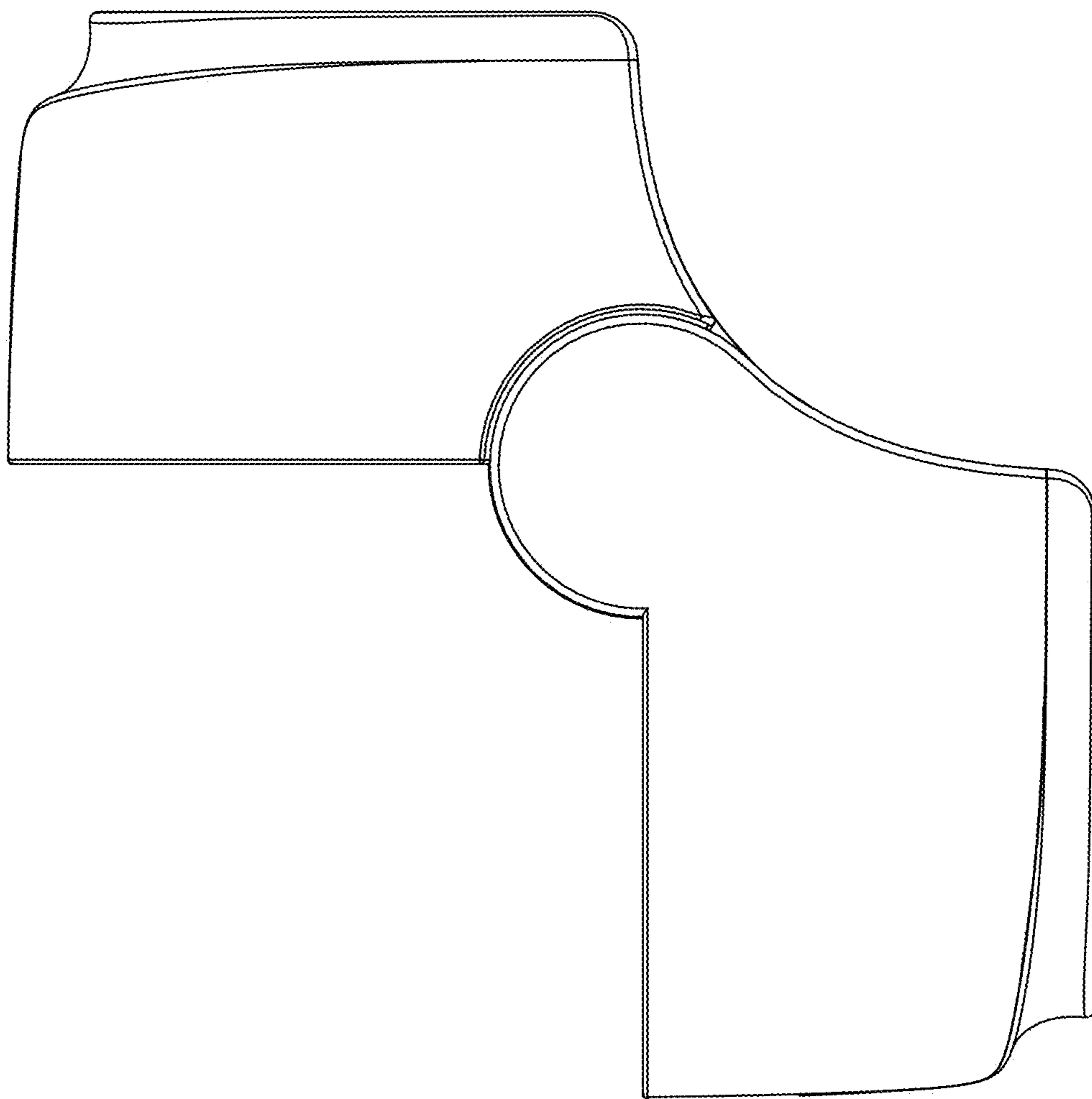


FIG. 12

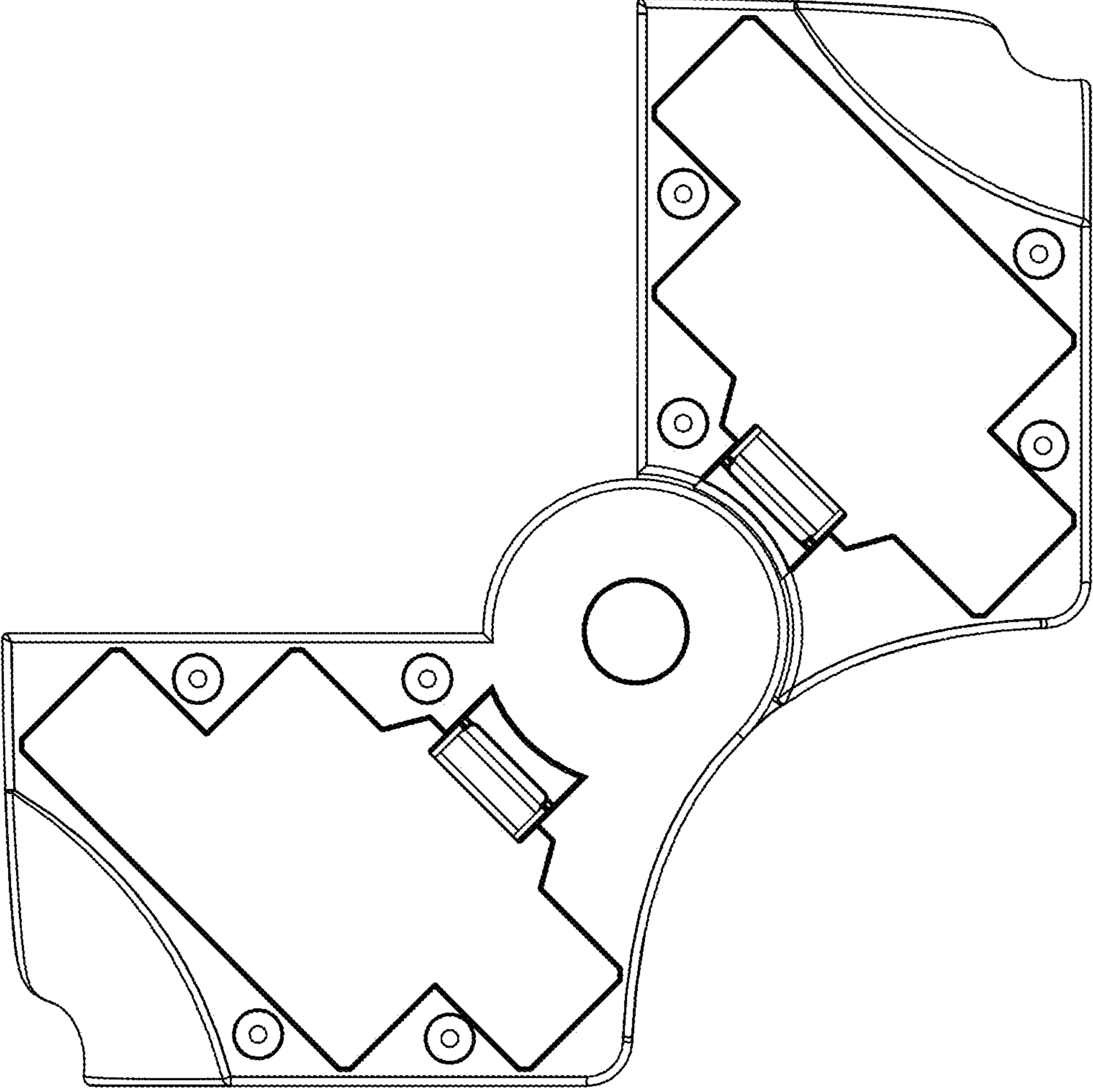


FIG. 13

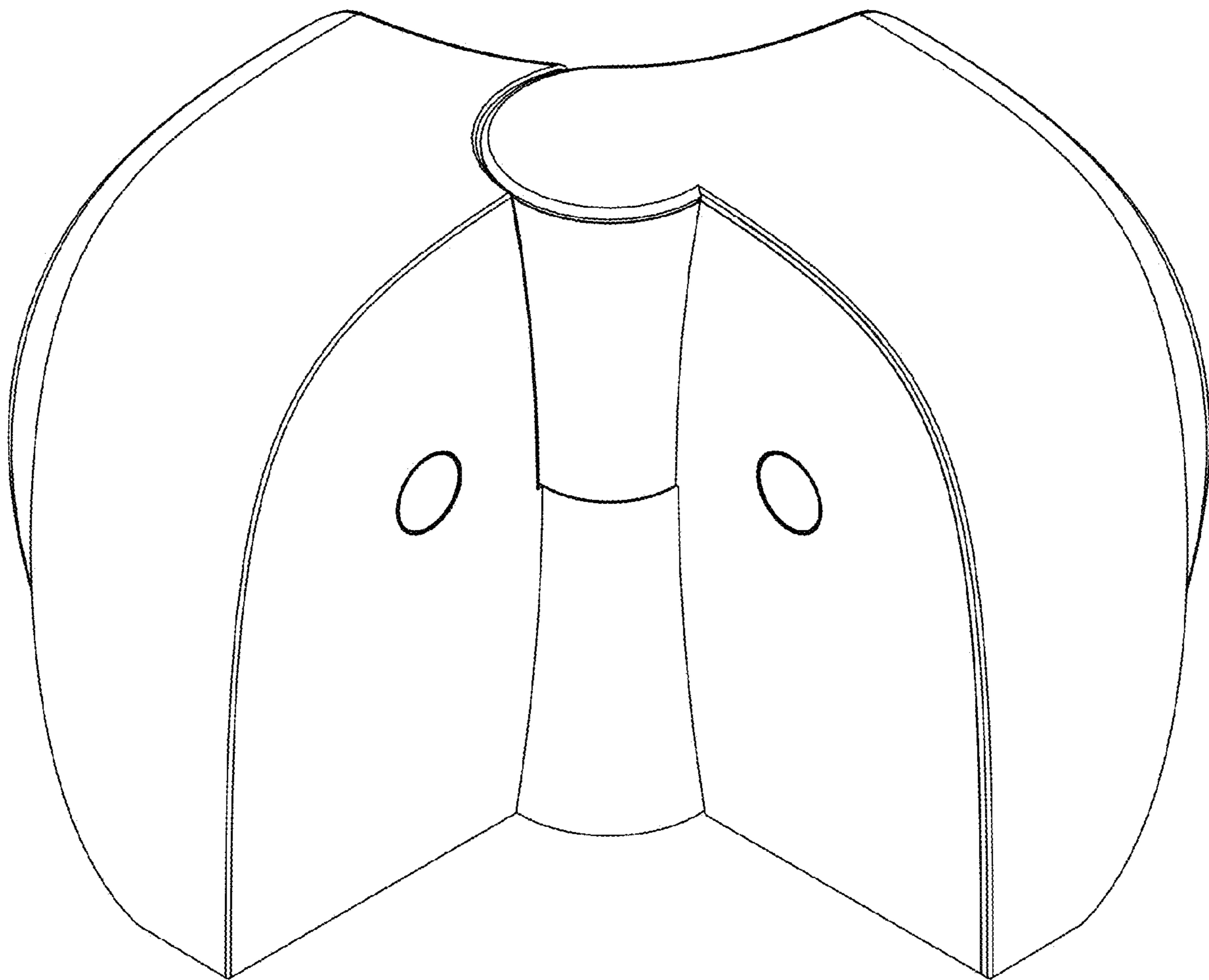


FIG. 14

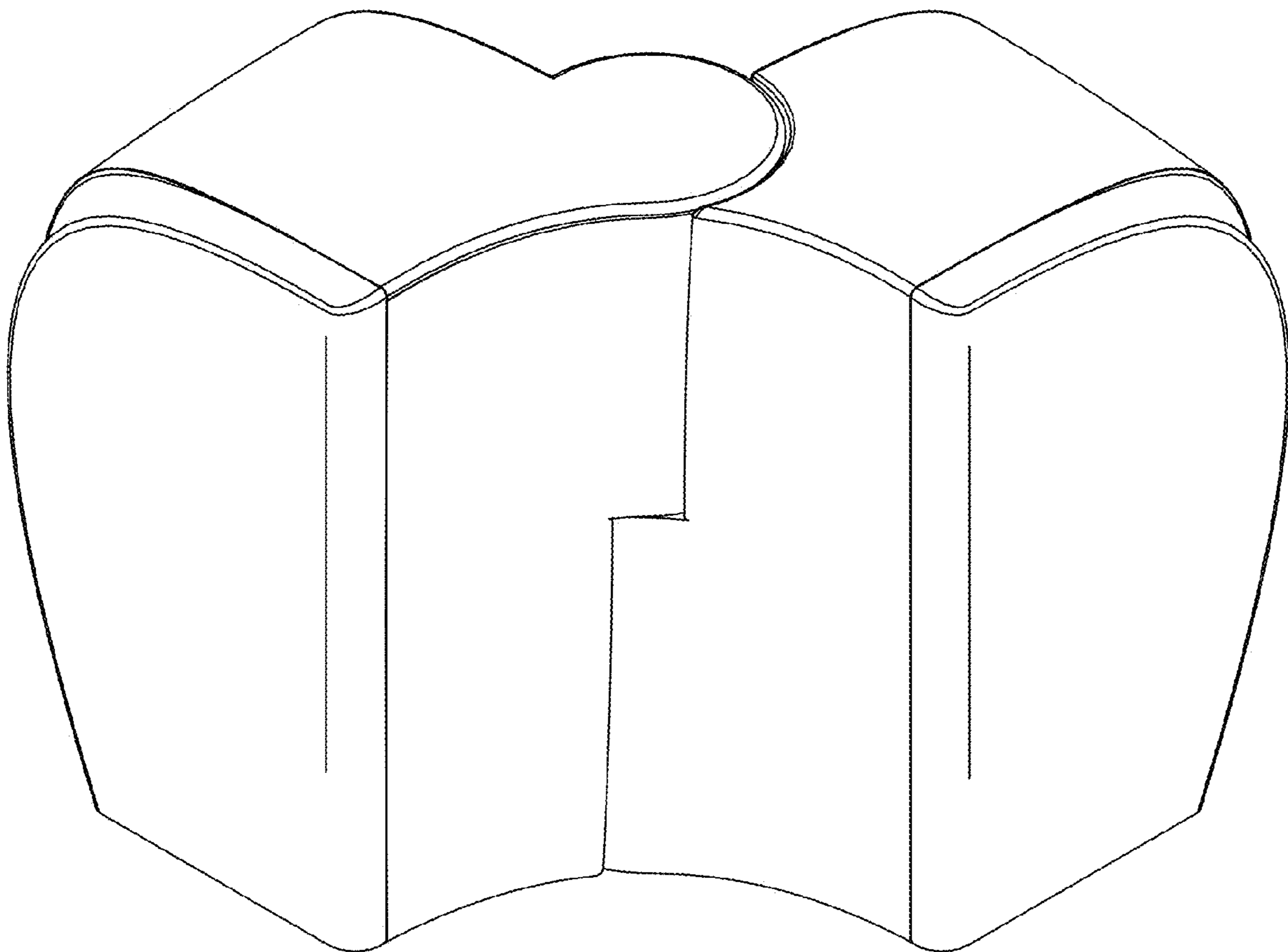


FIG. 15

