



US00D879767S

(12) **United States Design Patent**
Iwasaki et al.

(10) **Patent No.:** **US D879,767 S**
(45) **Date of Patent:** **** Mar. 31, 2020**

(54) **OPTICAL COMMUNICATION MODULE**

(71) Applicant: **KOHOKU KOGYO CO., LTD.**,
Nagahama-shi, Shiga (JP)

(72) Inventors: **Katsuhiro Iwasaki**, Nagahama (JP);
Takashi Kato, Nagahama (JP)

(73) Assignee: **KOHOKU KOGYO CO., LTD.**,
Nagahama-shi (JP)

(**) Term: **15 Years**

(21) Appl. No.: **29/627,322**

(22) Filed: **Nov. 26, 2017**

(30) **Foreign Application Priority Data**

May 30, 2017 (JP) 2017-011572

(51) **LOC (12) Cl.** **14-03**

(52) **U.S. Cl.**
USPC **D14/256**; D13/154

(58) **Field of Classification Search**
USPC D13/135, 123, 133, 147, 154, 158, 162,
D13/165, 173, 180, 182, 101, 118, 199,
D13/151, 146; D14/432, 433, 438, 357,
D14/496, 140, 240, 256, 299, 217;
D21/484, 486, 499, 500

CPC G02B 6/28; G02B 6/2938; G02B 6/32;
G02B 6/38; G02B 6/4204; G02B 6/4209;
G02B 6/421; G02B 6/4212; G02B
6/4218; G02B 6/4219; G02B 6/46; H04J
2203/0012; H04J 2203/0017; H04J
2203/0019; H04J 2203/0026; H04J
14/0278; H04B 10/40; H04B 10/506

See application file for complete search history.

(56) **References Cited**

U.S. PATENT DOCUMENTS

42,931 A * 5/1864 Demuth G02B 6/32
65/59.4
D86,515 S * 3/1932 Cox D13/145

D143,308 S * 12/1945 Haigh et al. D14/256
D143,309 S * 12/1945 Haigh et al. D14/256
2,698,925 A * 1/1955 Taylor H02G 5/08
439/114
3,535,537 A * 10/1970 Powell G01J 3/36
250/227.28
D249,789 S * 10/1978 DeLuca D14/256

(Continued)

FOREIGN PATENT DOCUMENTS

JP 2018081255 A * 5/2018

OTHER PUBLICATIONS

Optical interconnection modules. (Design—© Questel) orbit.com.
[online PDF] 24 pgs. Print Dates range Jun. 22, 2018 through Sep.
25, 2018. [Retrieved on Jun. 13, 2019] <https://sobjprd.questel.fr/export/QPTUJ214/pdf2/0614191f-5ead-4356-81e2-e7ec34cacbf5-154859.pdf>.*

Primary Examiner — Marie D. Fast Horse

(74) *Attorney, Agent, or Firm* — Isshiki International Law
Office; Joseph P. Farrar, Esq.

(57) **CLAIM**

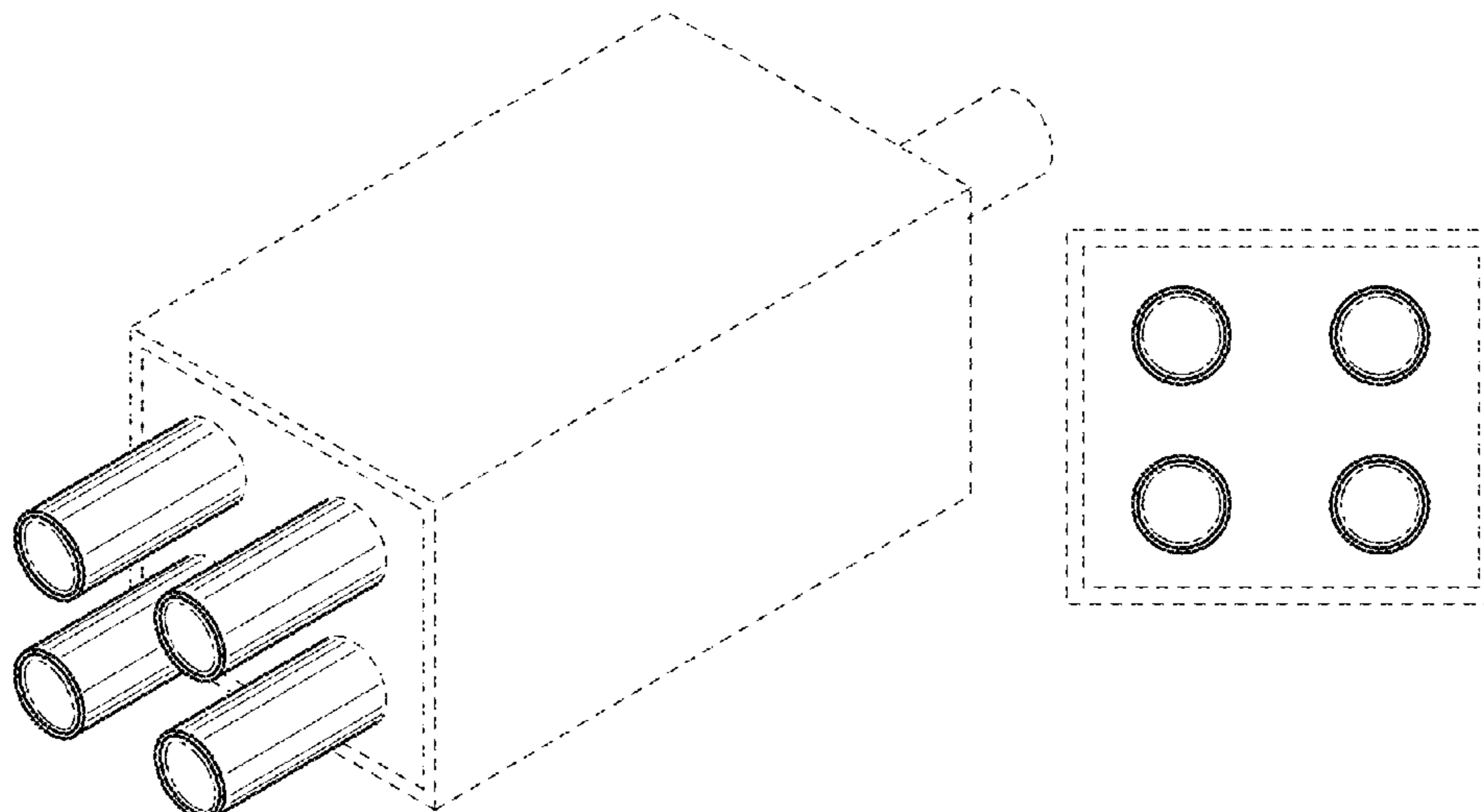
We claim the ornamental design for an optical communica-
tion module, as shown and described.

DESCRIPTION

FIG. 1 is a front left perspective view of an optical com-
munication module showing our new design;
FIG. 2 is a front elevational view thereof;
FIG. 3 is a rear elevational view thereof;
FIG. 4 is a top plan view thereof;
FIG. 5 is a bottom plan view thereof;
FIG. 6 is a right side view thereof; and,
FIG. 7 is a left side view thereof.

The broken lines in the drawings depict portions of the
optical communication module that form no part of the
claimed design.

1 Claim, 7 Drawing Sheets



(56)

References Cited

U.S. PATENT DOCUMENTS

D253,593	S	*	12/1979	Smith	D14/453
D261,503	S	*	10/1981	Shu	D13/151
D264,710	S	*	6/1982	Shu	D13/151
D274,717	S	*	7/1984	Shu	D13/151
4,737,116	A	*	4/1988	Slye	H01R 23/688 333/32
D300,820	S	*	4/1989	Orbanic	D13/147
D301,239	S	*	5/1989	Chino	D13/146
D301,240	S	*	5/1989	Chino	D13/146
D301,241	S	*	5/1989	Chino	D13/147
D301,242	S	*	5/1989	Chino	D13/146
D301,243	S	*	5/1989	Chino	D13/146
D333,122	S	*	2/1993	Kamakura	D13/123
D389,122	S	*	1/1998	Foye	D13/147
D389,801	S	*	1/1998	Foye	D13/147
D390,534	S	*	2/1998	Prucey	D13/146
D393,264	S	*	4/1998	Leung	D13/147
D399,846	S	*	10/1998	Beggs	D14/217
5,859,945	A	*	1/1999	Kato	G02B 6/4249 385/33
D405,092	S	*	2/1999	Ohshima	D13/147
D425,028	S	*	5/2000	Lee	D13/147
D433,998	S	*	11/2000	Ishitsuka	D13/123
D434,726	S	*	12/2000	Middlehurst	D13/147
D441,374	S	*	5/2001	Genatossio	D14/496
D447,473	S	*	9/2001	Chuang	D13/151
D463,414	S	*	9/2002	Gao	D13/182
D465,247	S	*	11/2002	Sorensen	D21/499
D465,816	S	*	11/2002	Sorensen	D21/500
D474,451	S	*	5/2003	Liao	D13/158
D475,019	S	*	5/2003	Soulodre	D13/151
D476,622	S	*	7/2003	Ando	D13/118
D476,978	S	*	7/2003	Dugas	D14/240
D476,980	S	*	7/2003	Dugas	D14/240
D476,981	S	*	7/2003	Dugas	D14/240
D480,689	S	*	10/2003	Ishibashi	D13/154
D483,338	S	*	12/2003	Takagi	D13/182
D484,105	S	*	12/2003	Takagi	D13/182
D494,147	S	*	8/2004	Takagi	D13/182
D495,659	S	*	9/2004	Shimaya	D13/147
D503,385	S	*	3/2005	Hosokawa	D13/147
D505,664	S	*	5/2005	Takagi	D13/182
D514,520	S	*	2/2006	Bahramian	D13/147
D514,531	S	*	2/2006	Takagi	D13/182
D518,797	S	*	4/2006	Takagi	D13/182
D520,450	S	*	5/2006	Shiraishi	D13/133
D551,251	S	*	9/2007	Horio	D14/496
D555,604	S	*	11/2007	Horio	D13/165
D558,672	S	*	1/2008	Easley	D13/133
D558,673	S	*	1/2008	Easley	D13/133
D560,620	S	*	1/2008	Horio	D13/165
D560,621	S	*	1/2008	Horio	D13/165
D561,107	S	*	2/2008	Cuff	D13/147
D561,108	S	*	2/2008	Cuff	D13/147
D561,698	S	*	2/2008	Cuff	D13/147
D561,847	S	*	2/2008	Glickman	D21/500
D562,775	S	*	2/2008	Cuff	D13/147
D563,327	S	*	3/2008	Horio	D13/165
D563,877	S	*	3/2008	Grant	D13/147
D563,878	S	*	3/2008	Grant	D13/147
D563,879	S	*	3/2008	Grant	D13/147
D563,880	S	*	3/2008	Grant	D13/147
D596,131	S	*	7/2009	Soulodre	D13/151
D613,251	S	*	4/2010	Walker	D13/147
D618,180	S	*	6/2010	Gross	D13/154
D618,181	S	*	6/2010	Gross	D13/154
D618,616	S	*	6/2010	Kesler	D13/133
D618,627	S	*	6/2010	Arenas	D13/154
D625,268	S	*	10/2010	So	D13/147
D625,269	S	*	10/2010	So	D13/147
D635,930	S	*	4/2011	Li	D13/147
D637,560	S	*	5/2011	Pera	D13/154
D643,404	S	*	8/2011	Lee	D14/205
D659,642	S	*	5/2012	Chen	D13/133
D665,359	S	*	8/2012	Yamauchi	D13/133
D673,916	S	*	1/2013	Regnier	D13/151
D675,567	S	*	2/2013	Hyakutake	D13/133
D691,951	S	*	10/2013	Evers	D13/133
D691,993	S	*	10/2013	Drew	D14/441
D694,712	S	*	12/2013	Aguiar	D13/133
D695,222	S	*	12/2013	Hyakutake	D13/133
D695,223	S	*	12/2013	Hyakutake	D13/133
D697,486	S	*	1/2014	Grant	D13/147
D697,487	S	*	1/2014	Grant	D13/147
D701,509	S	*	3/2014	DeGiovine	D14/433
D703,613	S	*	4/2014	Battaglia	D13/147
D704,648	S	*	5/2014	Grant	D13/147
D704,653	S	*	5/2014	Smith	D13/147
D704,654	S	*	5/2014	Smith	D13/147
D704,655	S	*	5/2014	Smith	D13/147
D704,657	S	*	5/2014	Smith	D13/147
D704,659	S	*	5/2014	Smith	D13/147
D704,661	S	*	5/2014	Smith	D13/147
D704,663	S	*	5/2014	Smith	D13/147
D705,173	S	*	5/2014	Smith	D13/147
D707,182	S	*	6/2014	Smith	D13/147
D735,140	S	*	7/2015	Liao	D13/147
D737,217	S	*	8/2015	Leidolt	D13/153
D742,327	S	*	11/2015	Nakai	D13/154
D750,567	S	*	3/2016	Katagiyama	D13/147
D794,569	S	*	8/2017	Giordano	D13/133
D799,598	S	*	10/2017	Clark	D21/324
10,018,787	B1	*	7/2018	Wang	G02B 6/3885
10,139,567	B1	*	11/2018	Beranek	G02B 6/32
D837,216	S	*	1/2019	Bagley	D14/433
D837,788	S	*	1/2019	Bagley	D14/433
D837,789	S	*	1/2019	Woody	D14/433
D843,332	S	*	3/2019	Siddiqui	D13/162
10,234,632	B1	*	3/2019	Keeler	G02B 6/32
D847,758	S	*	5/2019	Chadbourne	D13/154
D849,853	S	*	5/2019	Chen	D21/499
2002/0061161	A1	*	5/2002	Tsiboulia	G02B 6/3516 385/18
2002/0094146	A1	*	7/2002	Yamaguchi	G02B 6/421 385/2
2002/0102043	A1	*	8/2002	Shin	G02B 6/423 385/14
2003/0044130	A1	*	3/2003	Crane, Jr.	G02B 6/3839 385/92
2015/0277646	A1	*	10/2015	Ogura	G06F 1/16 345/173
2017/0242202	A1	*	8/2017	Xie	G02B 6/3672
2018/0145789	A1	*	5/2018	Iwasaki	G02B 6/2938
2019/0086619	A1	*	3/2019	Chen	G02B 6/4204

* cited by examiner

FIG. 1

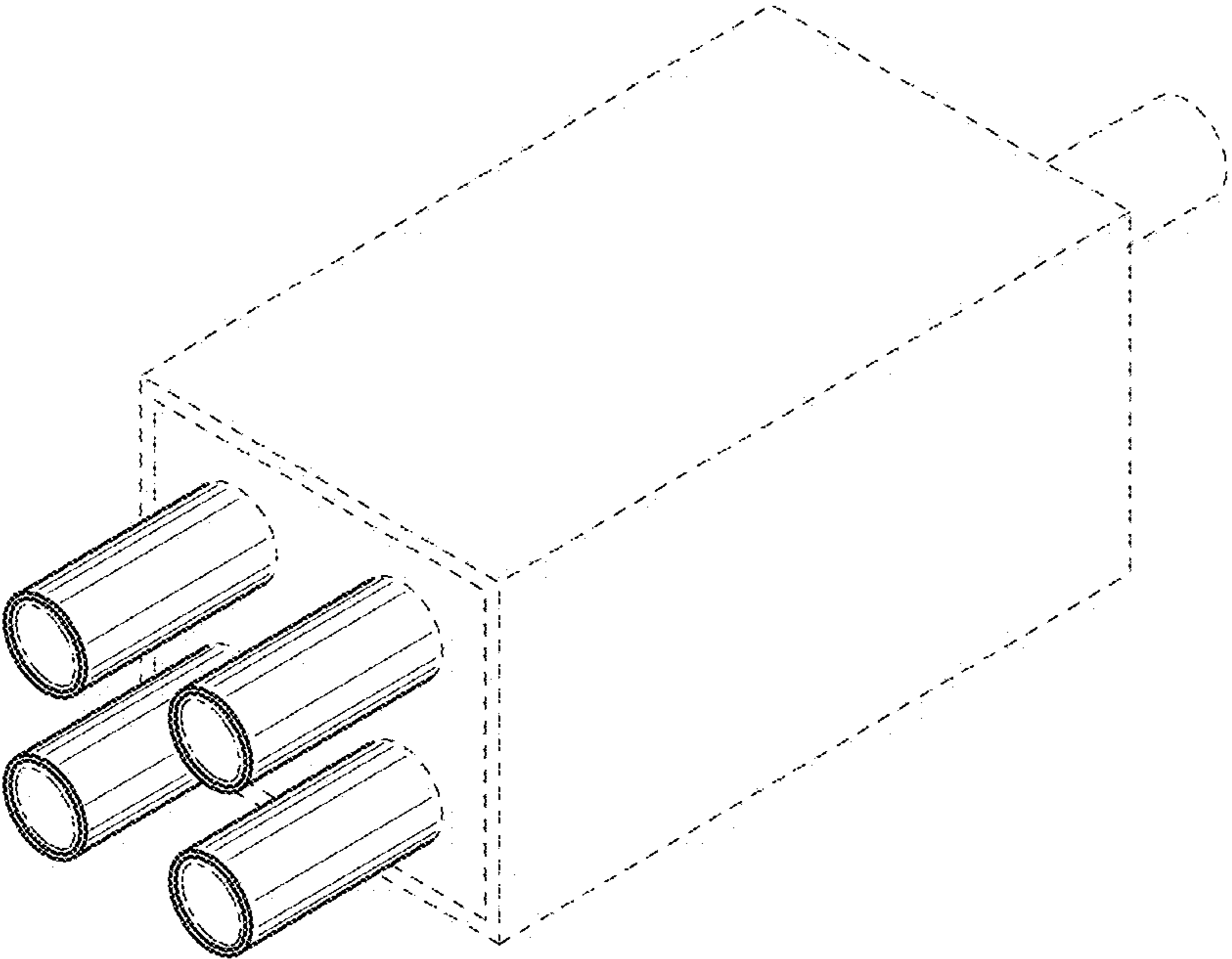


FIG. 2



FIG. 3



FIG. 4



FIG. 5



FIG. 6

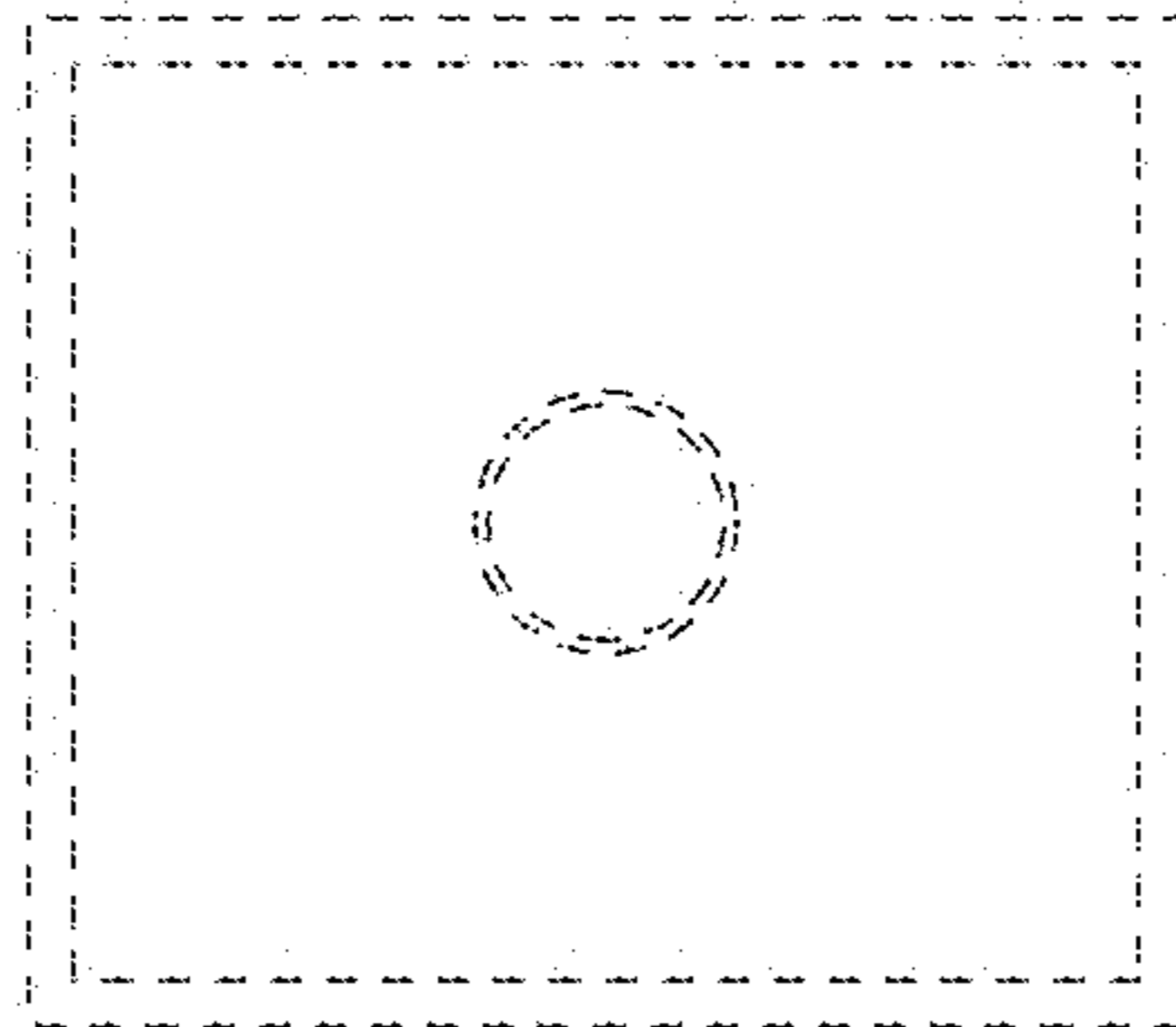


FIG. 7

