



US00D879766S

(12) **United States Design Patent**
Fan

(10) **Patent No.:** **US D879,766 S**

(45) **Date of Patent:** **** Mar. 31, 2020**

- (54) **MOBILE PHONE STAND**
- (71) Applicant: **SHENZHEN TUOJIA TECHNOLOGY CO., LTD.**, Shenzhen (CN)
- (72) Inventor: **Meiqi Fan**, Shenzhen (CN)
- (73) Assignee: **SHENZHEN TUOJIA TECHNOLOGY CO., LTD.**, Shenzhen (CN)

(**) Term: **15 Years**

(21) Appl. No.: **29/714,085**

(22) Filed: **Nov. 21, 2019**

(51) **LOC (12) Cl.** **14-03**

(52) **U.S. Cl.**
USPC **D14/253**

(58) **Field of Classification Search**
USPC D14/251-253, 447, 452; D12/415;
D3/218; D8/349, 363; D6/656.11,
D6/656.12, 656.13, 656.15, 656.16, 655,
D6/655.1, 675.1
CPC H04M 1/02; H04M 1/04; B60R 11/02;
F16M 11/00; F16M 11/04; F16M 11/06
See application file for complete search history.

(56) **References Cited**

U.S. PATENT DOCUMENTS

- D603,322 S * 11/2009 Nicieja D12/415
- D654,120 S * 2/2012 Lin D14/434
- D654,493 S * 2/2012 Baumann D14/253
- D718,297 S * 11/2014 Aspinall D14/253
- D769,235 S * 10/2016 Li D14/253
- D799,466 S * 10/2017 Sukphist D14/253

- D817,317 S * 5/2018 Lee D14/253
- D819,015 S * 5/2018 Lee D14/253
- D825,545 S * 8/2018 McSweyn D14/253
- D825,546 S * 8/2018 Fan D14/253
- D832,248 S * 10/2018 Sukphist D14/253
- D839,867 S 2/2019 Zhao
- D854,006 S 7/2019 Wang et al.
- D875,090 S * 2/2020 Leeds-Frank D14/253
- 2010/0320341 A1 * 12/2010 Baumann B60R 11/0241
248/206.2
- 2014/0145051 A1 * 5/2014 Gwag B60R 11/02
248/298.1

* cited by examiner

Primary Examiner — Janice Hallmark

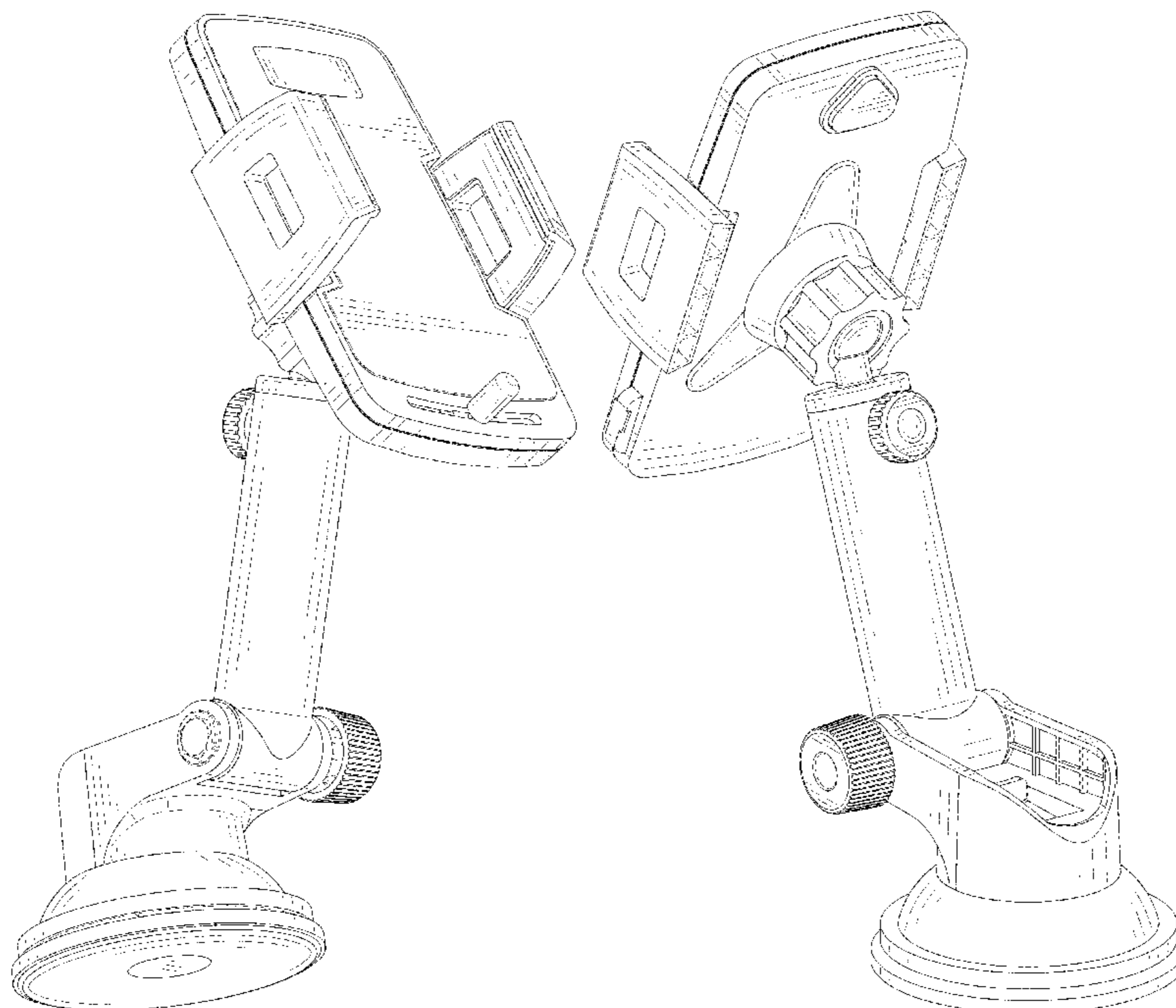
(57) **CLAIM**

The ornamental design for a mobile phone stand, as shown and described.

DESCRIPTION

FIG. 1 is a perspective view of a mobile phone stand showing my new design;
 FIG. 2 is another perspective view thereof;
 FIG. 3 is a front elevational view thereof;
 FIG. 4 is a rear elevational view thereof;
 FIG. 5 is a left side elevational view thereof;
 FIG. 6 is a right side elevational view thereof;
 FIG. 7 is a top plan view thereof;
 FIG. 8 is a bottom plan view thereof;
 FIG. 9 is a perspective view of the mobile phone stand where a component is separated from a main body; and,
 FIG. 10 is a perspective view of the mobile phone where the mobile phone stand is in a configuration of use.
 The broken lines in the drawings depict portions of the mobile phone stand that form no part of the claimed design.

1 Claim, 10 Drawing Sheets



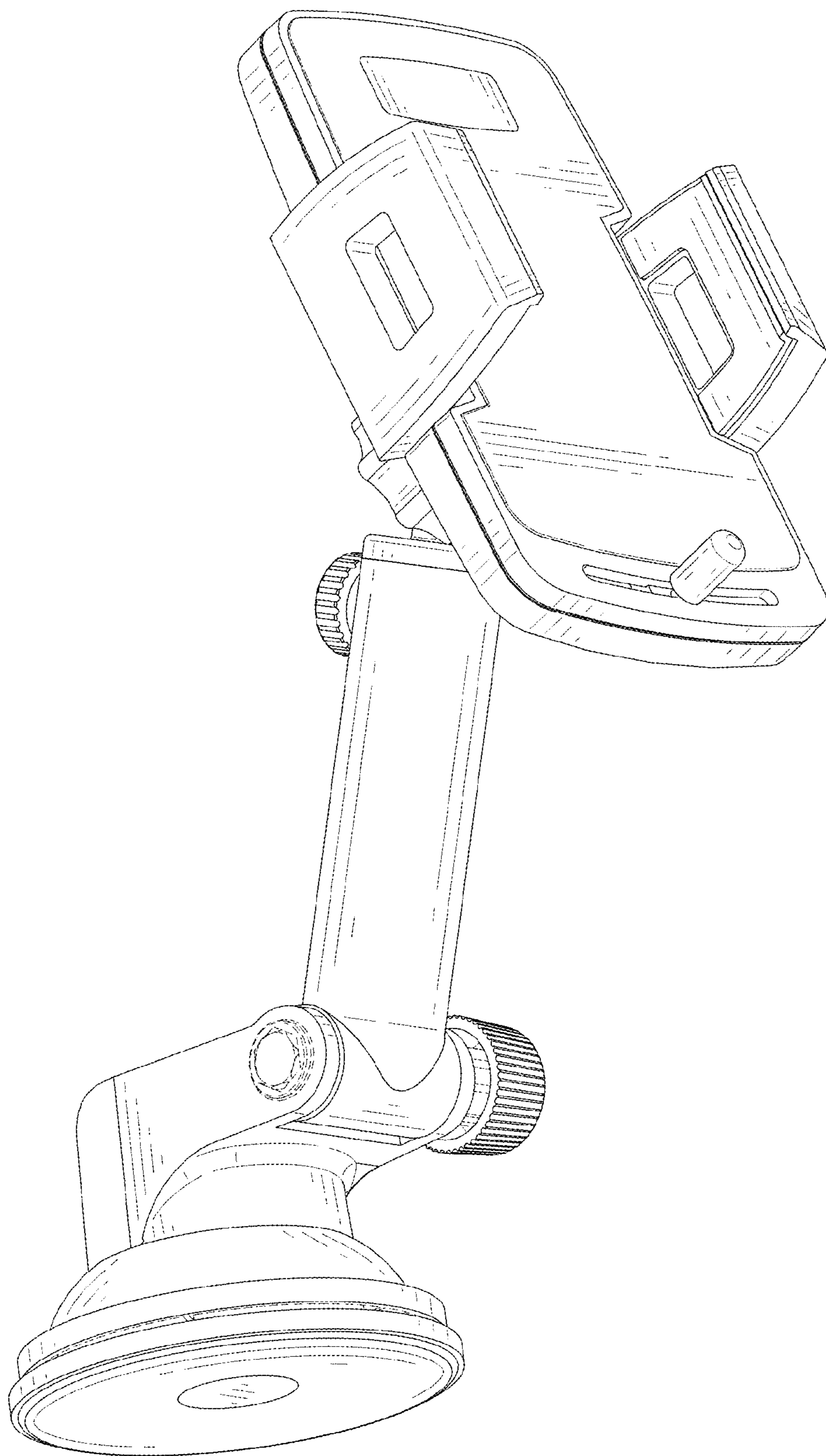


FIG. 1

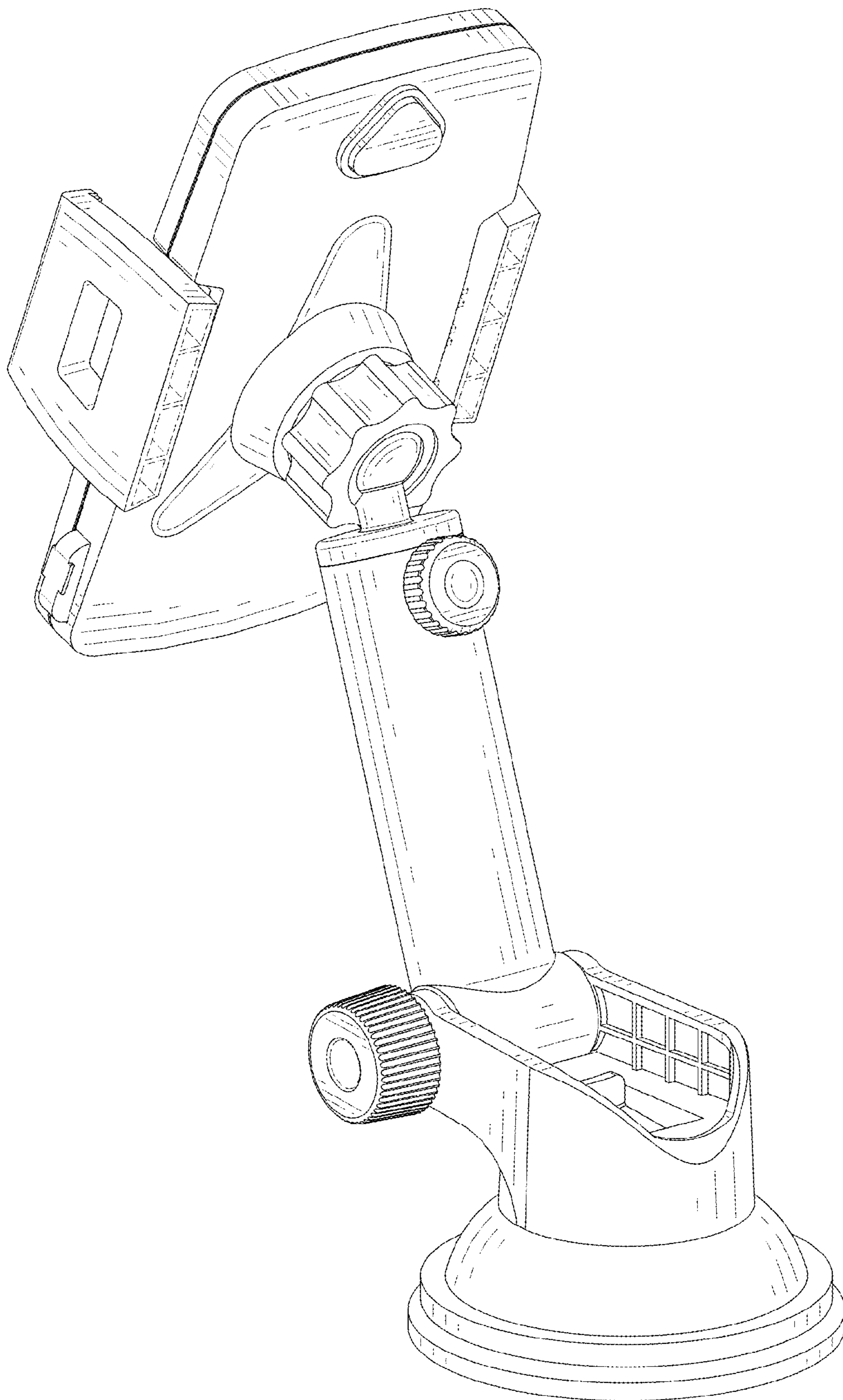


FIG. 2

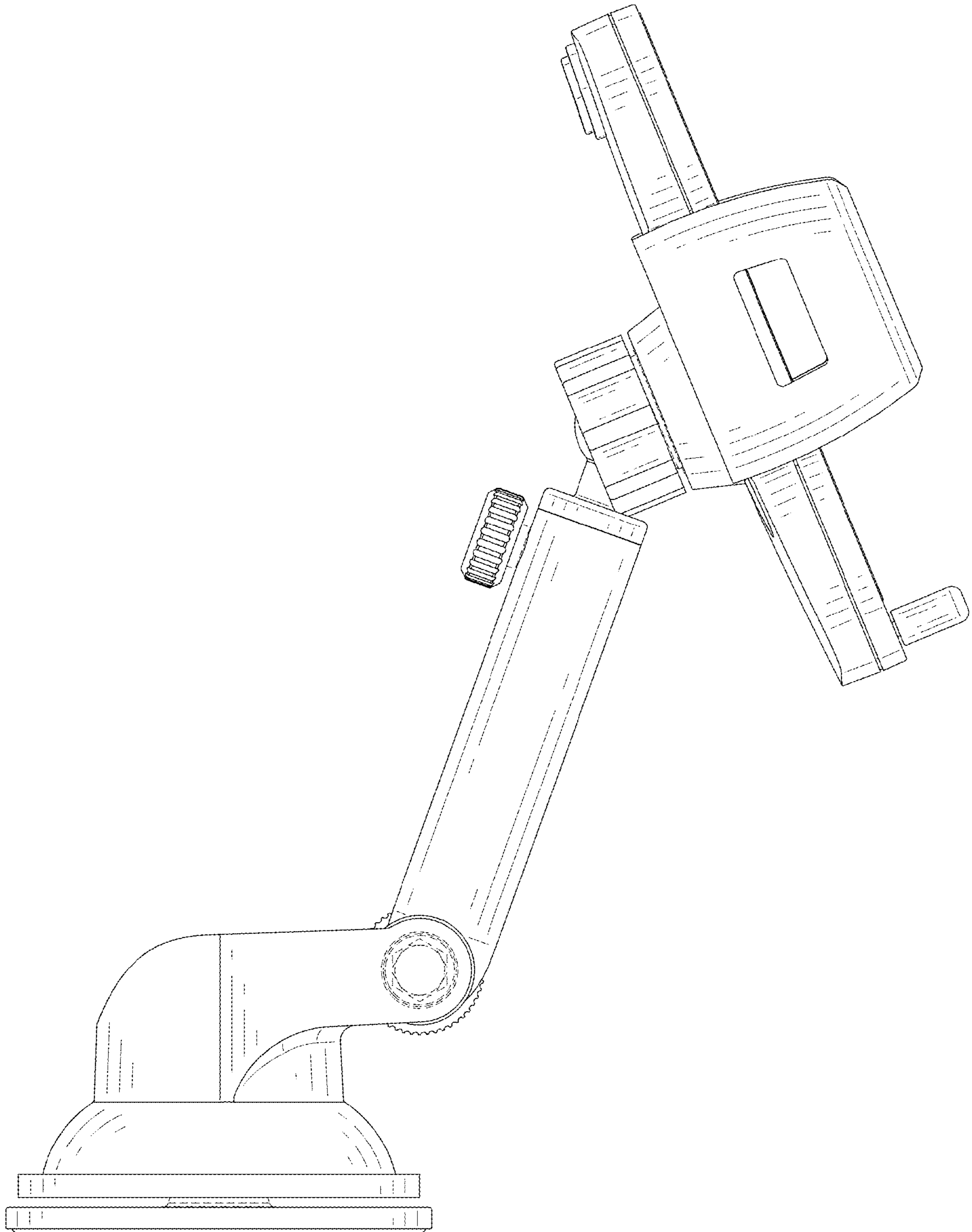


FIG. 3

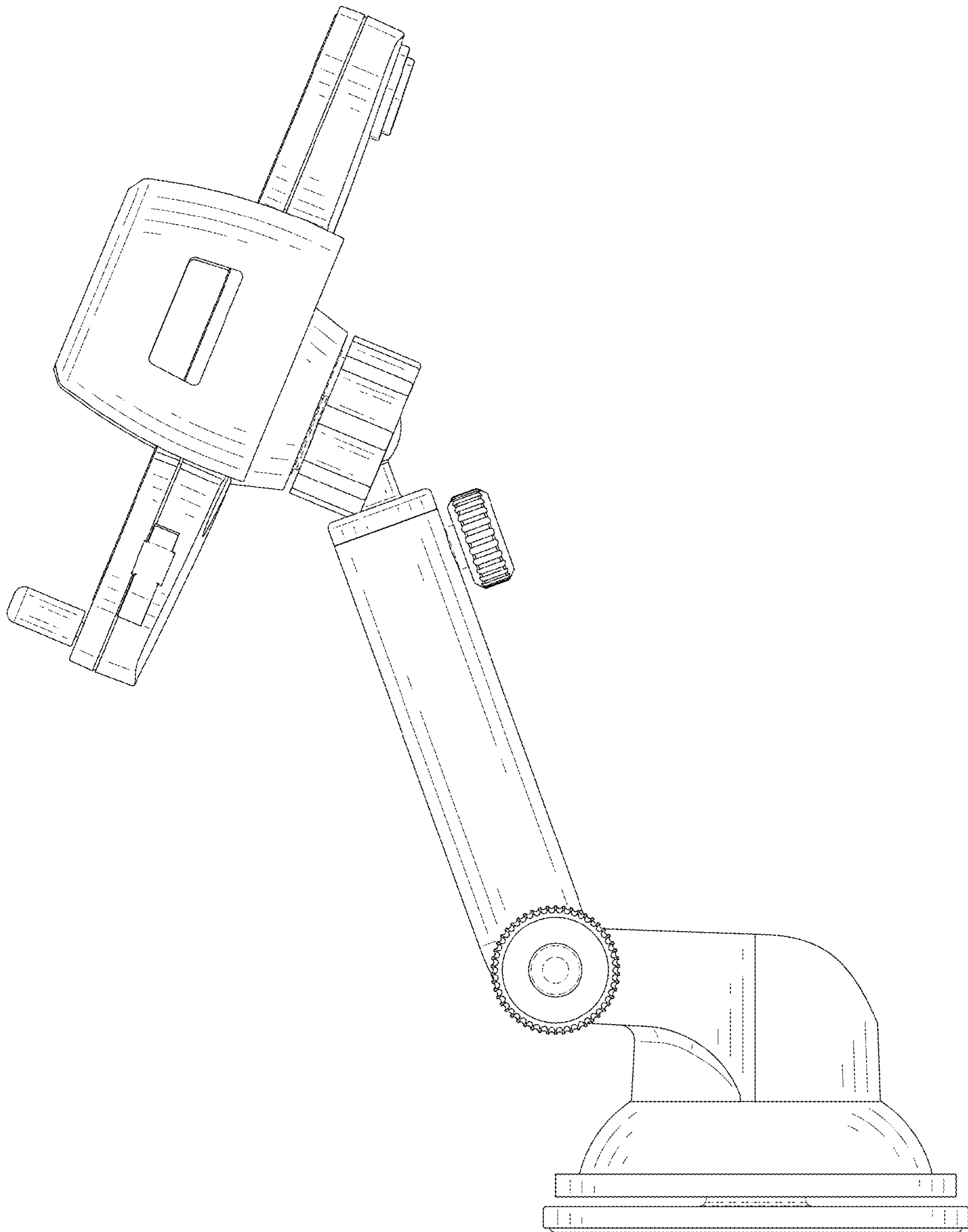


FIG. 4

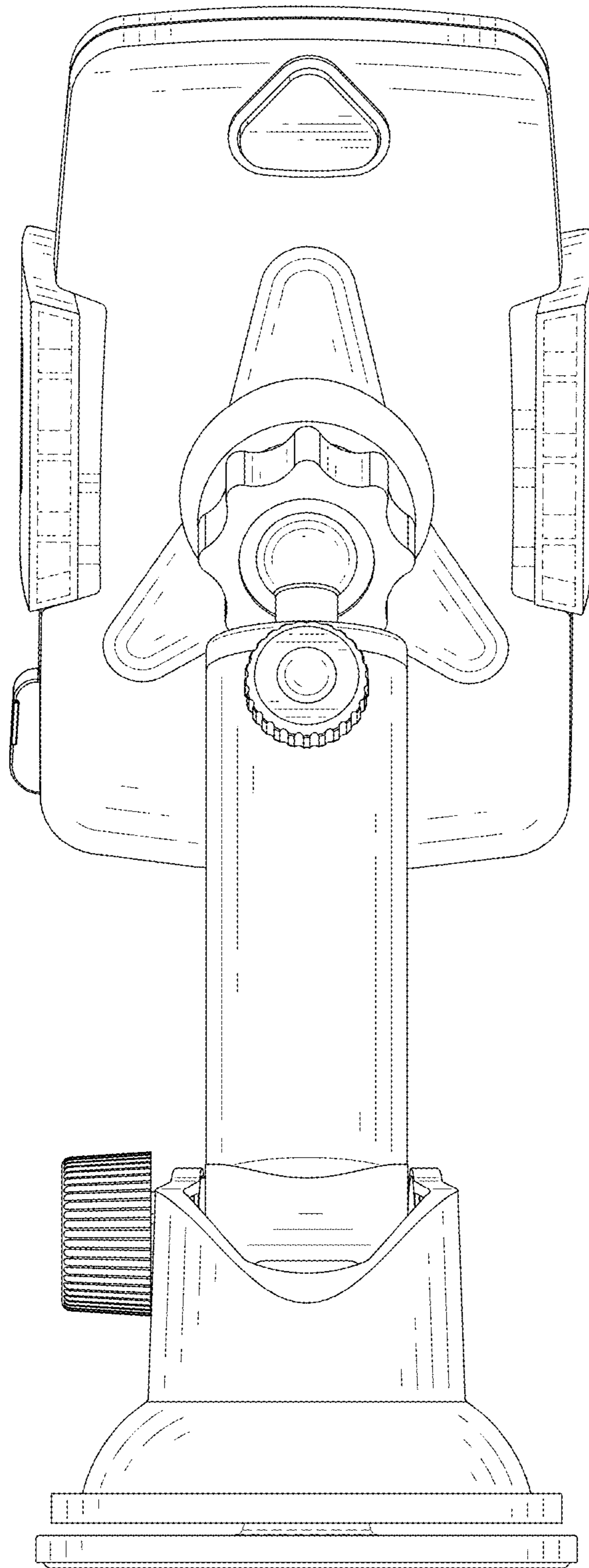


FIG. 5

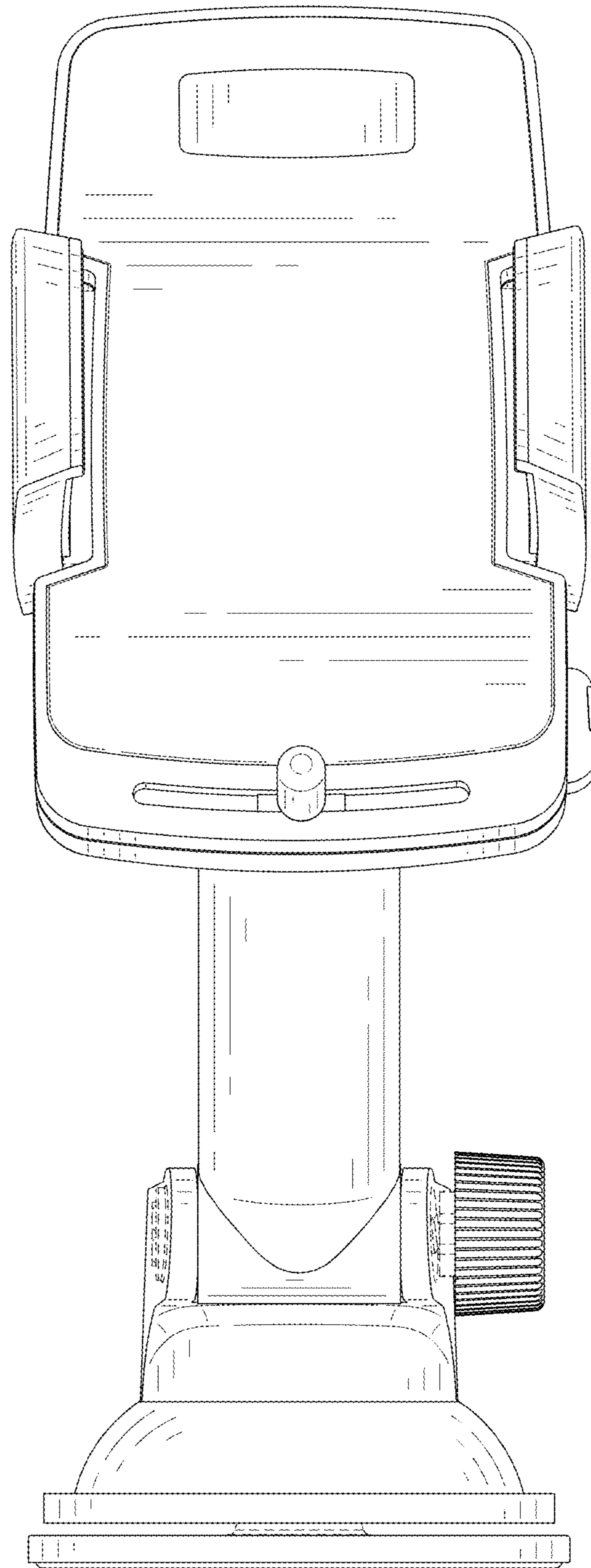


FIG. 6

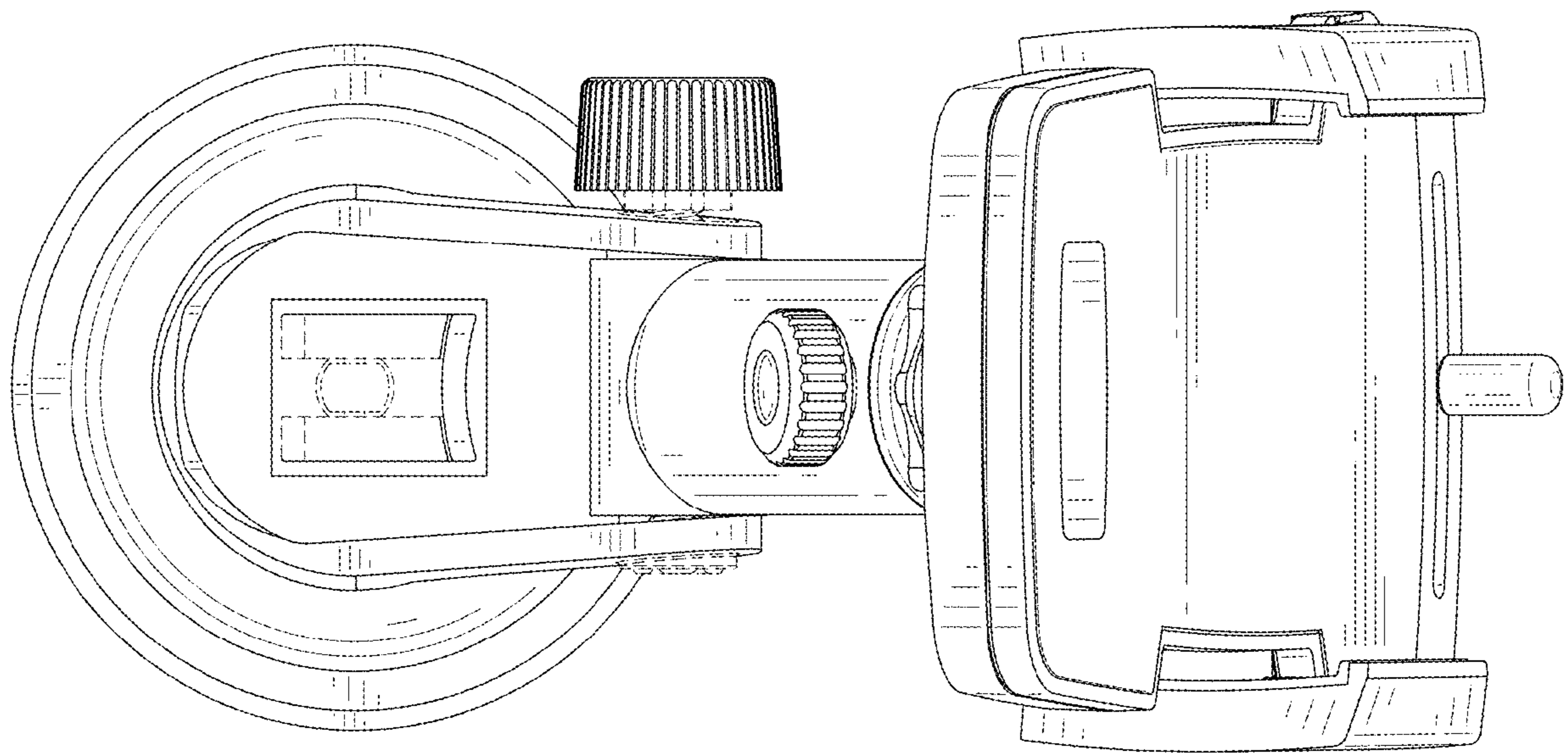


FIG. 7

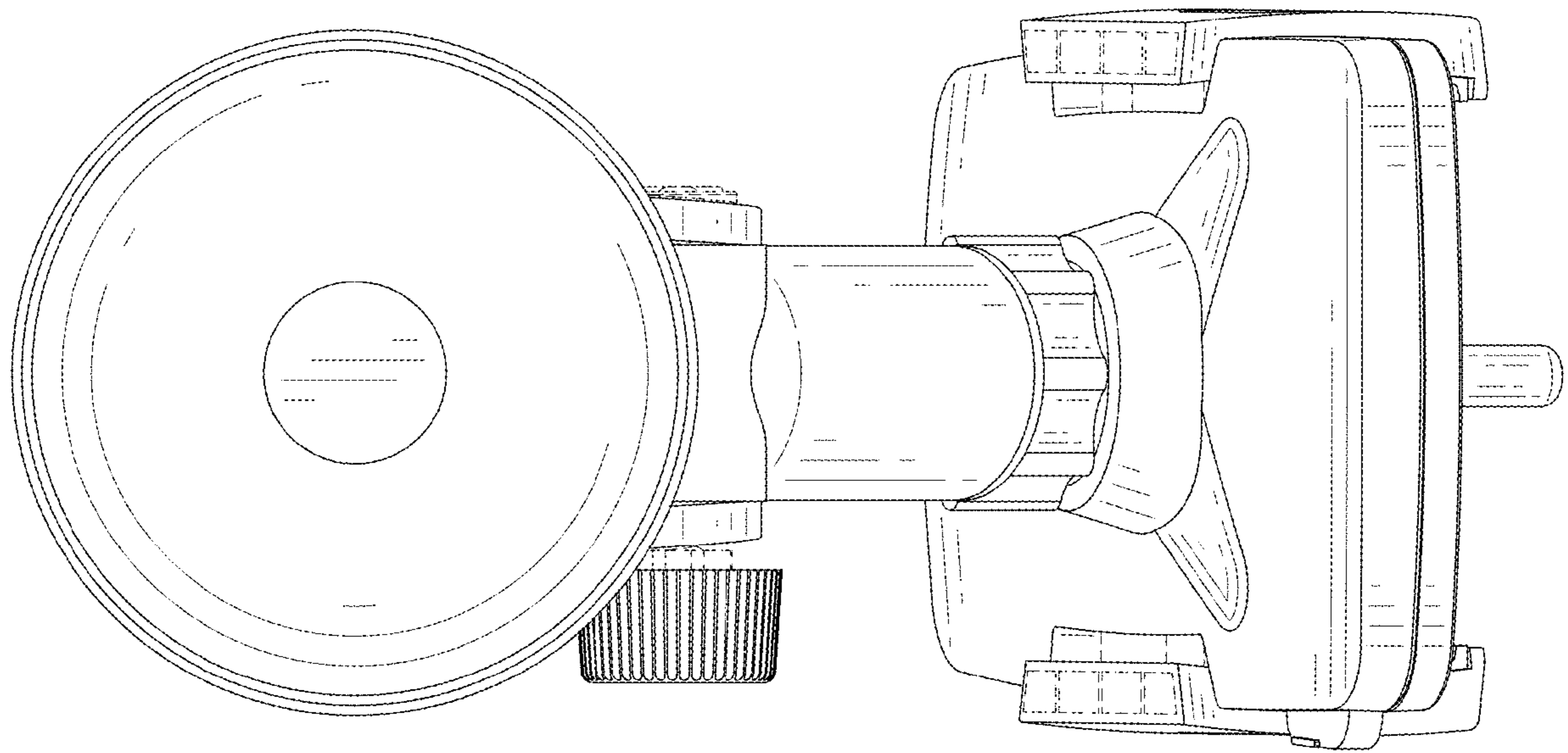


FIG. 8

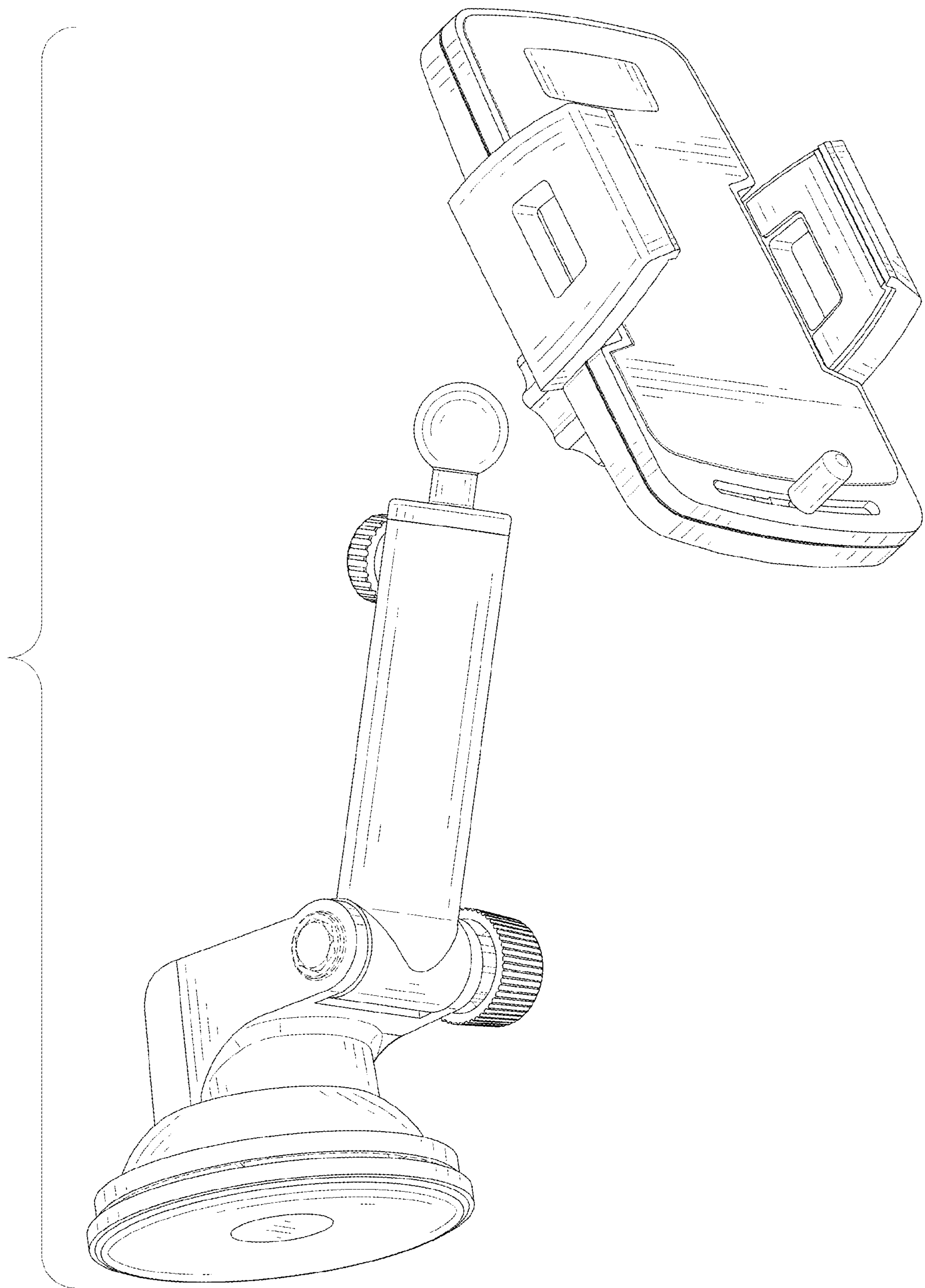


FIG. 9

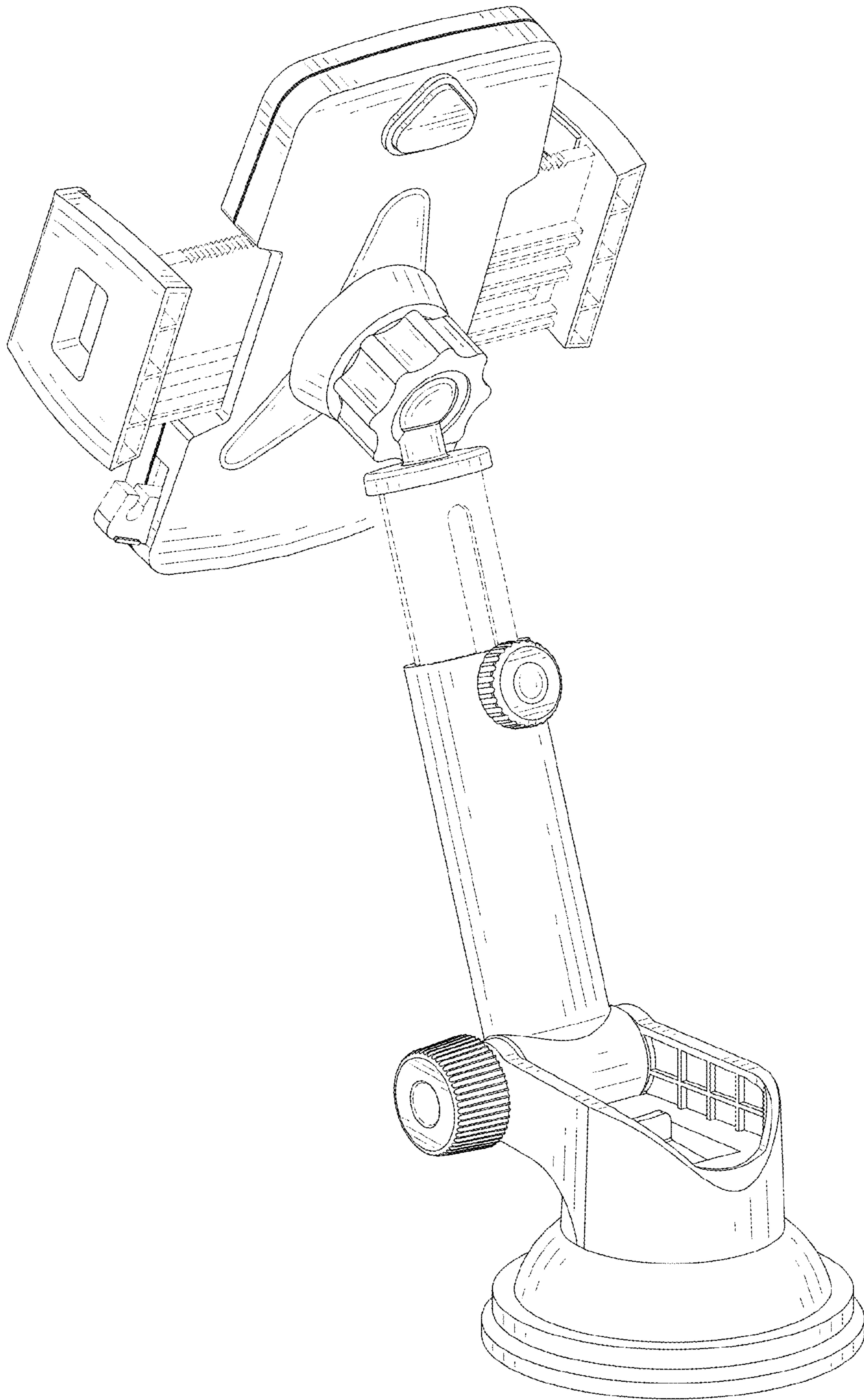


FIG. 10