



US00D879763S

(12) **United States Design Patent**
Park

(10) **Patent No.:** **US D879,763 S**
(45) **Date of Patent:** **** Mar. 31, 2020**

(54) **MOBILE DEVICE HOLDER WITH POCKET**

(71) Applicant: **ES Distribution, LLC**, Sudbury, MA (US)

(72) Inventor: **Joon Park**, Redondo Beach, CA (US)

(73) Assignee: **ES Distribution, LLC**, Sudbury, MA (US)

(**) Term: **15 Years**

(21) Appl. No.: **29/669,810**

(22) Filed: **Nov. 12, 2018**

(51) **LOC (12) Cl.** **14-03**

(52) **U.S. Cl.**
USPC **D14/250**; D3/218; D3/249

(58) **Field of Classification Search**
USPC D3/201, 218, 226, 227, 247, 249, 250, D3/269, 303; D13/103, 107, 108, 119; D14/137, 138 R, 138 AA, 138 C, 138 G, D14/172, 192, 203.3–203.7, 217, 238.1, D14/247, 248, 250–253, 434, 440, 447, D14/496

CPC H04B 1/3888; H04M 1/0283; H04M 1/0202; A45C 1/06; A45C 2011/002; A45C 11/00; A45F 2005/028; A45F 2200/0525

See application file for complete search history.

(56) **References Cited**

U.S. PATENT DOCUMENTS

D467,069 S	*	12/2002	TenHoeve	D3/218
D518,950 S	*	4/2006	Condifff	D3/218
D524,543 S	*	7/2006	Toler	D3/318
D660,305 S		5/2012	Ho		
D671,932 S		12/2012	Axoulay		
D679,693 S		4/2013	Rashid		
D691,991 S	*	10/2013	Mohan	D14/250
D693,580 S		11/2013	Baker		
D703,429 S	*	4/2014	Morrison	D3/218

8,714,422 B2 *	5/2014	Yu	A45F 5/00	224/197
D707,443 S	6/2014	Dailey			
8,752,740 B2	6/2014	Morgan et al.			
D713,849 S	9/2014	Kirwer			
D716,044 S	10/2014	Wilk			
D717,538 S	11/2014	Bransfield			
D723,795 S *	3/2015	Kalbach	D3/218	
9,004,330 B2	4/2015	White			
D739,137 S *	9/2015	Hamilton	D3/218	
D749,839 S *	2/2016	Fairbrother	D3/218	
9,259,077 B2	2/2016	Murphy et al.			
D751,284 S	3/2016	Kishimoto			
D753,912 S	4/2016	Spero			

(Continued)

OTHER PUBLICATIONS

Gear Beast Universal Cell Phone Lanyard, publication date Jun. 13, 2017, [online][site visited Dec. 13, 2019] URL: <https://www.amazon.com/dp/B072PVM7YB> (Year: 2017).*

(Continued)

Primary Examiner — Susan E Krakower
Assistant Examiner — L. A. Grabenstetter
(74) *Attorney, Agent, or Firm* — Cesari and McKenna, LLP

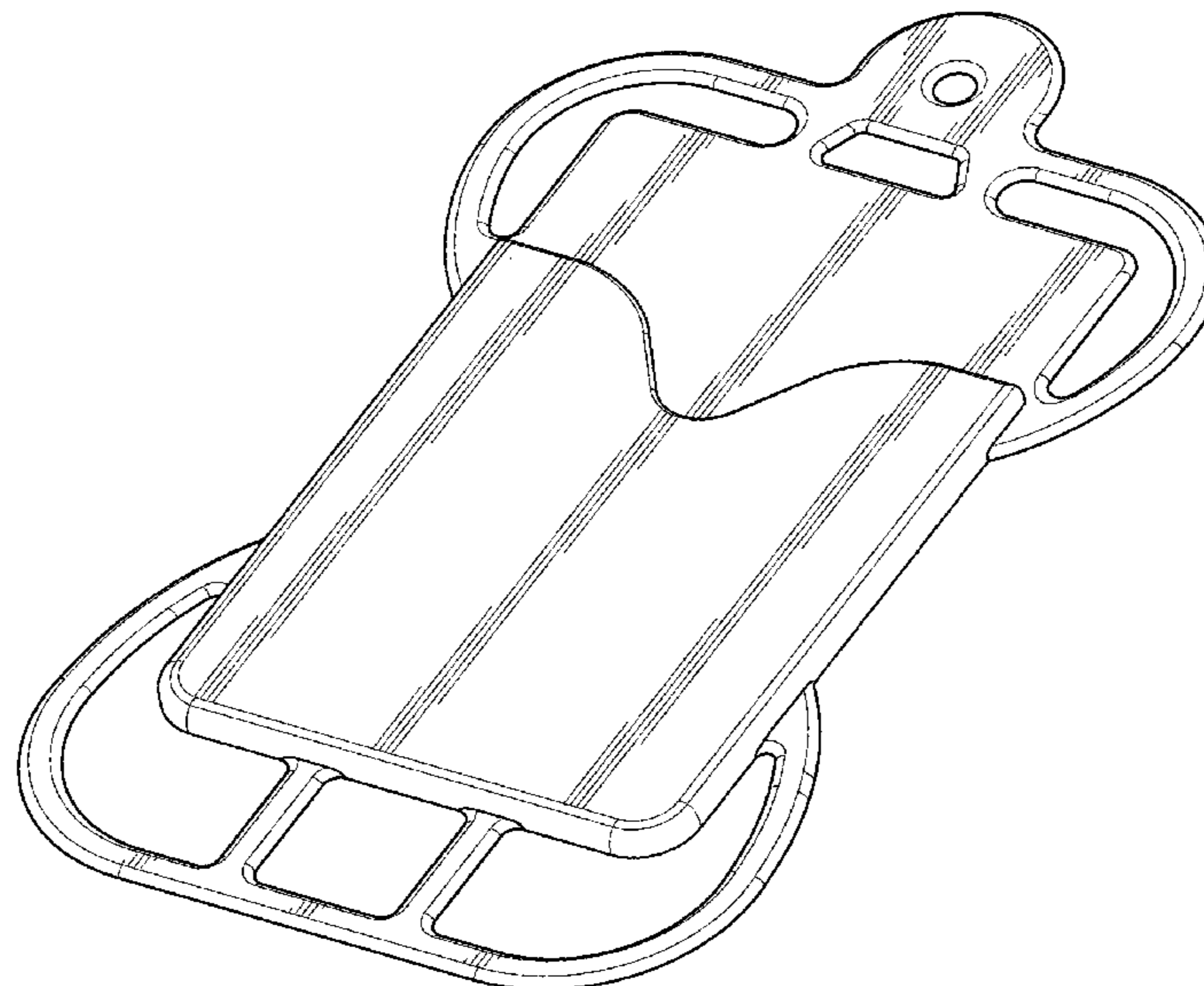
(57) **CLAIM**

The ornamental design for a mobile device holder with pocket, substantially as shown.

DESCRIPTION

FIG. 1 is an isometric view from the front of a mobile device holder with pocket incorporating the design; FIG. 2 is a front view thereof; FIG. 3 is a back view thereof; FIG. 4 is a left-side view thereof; FIG. 5 is a right-side view thereof; FIG. 6 is a top view thereof; and, FIG. 7 is a bottom view thereof.

1 Claim, 5 Drawing Sheets



(56)

References Cited

U.S. PATENT DOCUMENTS

9,314,078	B1	4/2016	Haymond et al.	
D763,568	S *	8/2016	Singhal	D3/218
9,421,920	B2	8/2016	Jang	
D768,120	S *	10/2016	Imme	D14/250
D769,854	S *	10/2016	Duval	D14/250
D773,803	S	12/2016	Larsen	
D775,618	S *	1/2017	Kim	D14/250
D782,185	S	3/2017	Lederer	
D782,488	S	3/2017	Kim	
D795,235	S	8/2017	Haymond	
D799,462	S *	10/2017	Wright	D14/250
D800,106	S *	10/2017	Godycki	D14/250
D800,107	S *	10/2017	Godycki	D14/250
9,891,504	B2	2/2018	Fromm	
D815,086	S	4/2018	Jeon	
D817,315	S *	5/2018	Dickie	D14/250
D829,722	S	10/2018	Kim	
D841,638	S *	2/2019	Jackson	D14/250
D842,290	S	3/2019	Robertson	
D843,108	S	3/2019	Munson	
D844,598	S	4/2019	Jang	
D856,321	S *	8/2019	Khalsa	D14/253
D861,334	S *	10/2019	Feng	D3/218
D864,184	S *	10/2019	Adjesson	D14/250
2013/0009032	A1	1/2013	Polletta	
2014/0259538	A1	9/2014	Bransfield	
2015/0001265	A1	1/2015	Hart	
2015/0249730	A1	9/2015	Larsen	
2015/0288406	A1	10/2015	Haymond	
2016/0020809	A1	1/2016	Joslin	
2016/0281919	A1	9/2016	Kofler	
2017/0120980	A1	5/2017	Karl	

OTHER PUBLICATIONS

Gear Beast Pocket Web Lanyard, publication date Nov. 9, 2018, [online][site visited Dec. 13, 2019] URL: <https://www.amazon.com/>

Gear-Beast-Universal-Compatible-Smartphones/dp/B07H136BZW (Year: 2018).*

Physical Sample—Rocontrip’s 2 in 1 Cell Phone Lanyard Rocontrip Strap Case Holder with Detachable Neckstrap Universal for Smartphone. Physical Sample—Remeel Phone Lanyard Strap with Universal Silicone Case Holder.

Physical Sample—Armra 2 in 1 Cell Phone Lanyard Neck Strap Case Universal Smartphone Necklace Shockproof Cover with ID Card Slot Holder.

Physical Sample—Toovren aa-83 Cell Phone Holder Lanyard Silicone Lanyard Smart Phone Case Cover with Detachable Necklace Wrist Strap.

Datasheet—Kanga BackStrap, retrieved from the internet <<https://handstandspromo.com/products/kanga-backstrap>>.

Datasheet—HandStands Elastix Case (Closeout), retrieved from the internet <<https://handstandspromo.com/products/elastix-case-closeout-1>>.

Datasheet—AccessoryHappy Universal Premium Quality 2 in 1 Lanyard & Card Holder, Cell Phone Tether Neck Strap Silicone Smartphone Case for iPhone 5 6 6S 7 8 8 Plus Galaxy S8 S9 Note 8 9 and Most Smartphones, retrieved from the internet <https://www.amazon.com/Universal-Lanyard-Holder-Tether-Silicone/dp/B07PVT1CR6?ref=bl_dp_s_web_15777100011&th=1>.

Datasheet—Universal Cell Phone Lanyard Holder, Silicone Neck Strap Smartphone Case for iPhone Xs Max XR X 8 7 6S Plus Samsung Galaxy S10 S9 S8 Note 9 Pixel 3 XL, Phone Tie Series (Black), retrieved from the internet <https://www.amazon.com/Universal-Lanyard-Silicone-Smartphone-Samsung/dp/B07KVYS8P6/ref=sr_1_2?keywords=Armra&qid=1556054780&s=wireless&sr=1-2>.

Datasheet—Gear Beast Universal Smartphone Web Lanyard with Thin Neck Strap, retrieved from the internet <<https://gearbeast.com/universal-smartphone-web-lanyard-with-thin-neck-strap/>>.

Datasheet—Gear Beast Universal Smartphone Web Lanyard with Nylon Neck Strap, retrieved from the internet <<https://gearbeast.com/universal-smartphone-web-lanyard-with-nylon-neck-strap/>>.

* cited by examiner

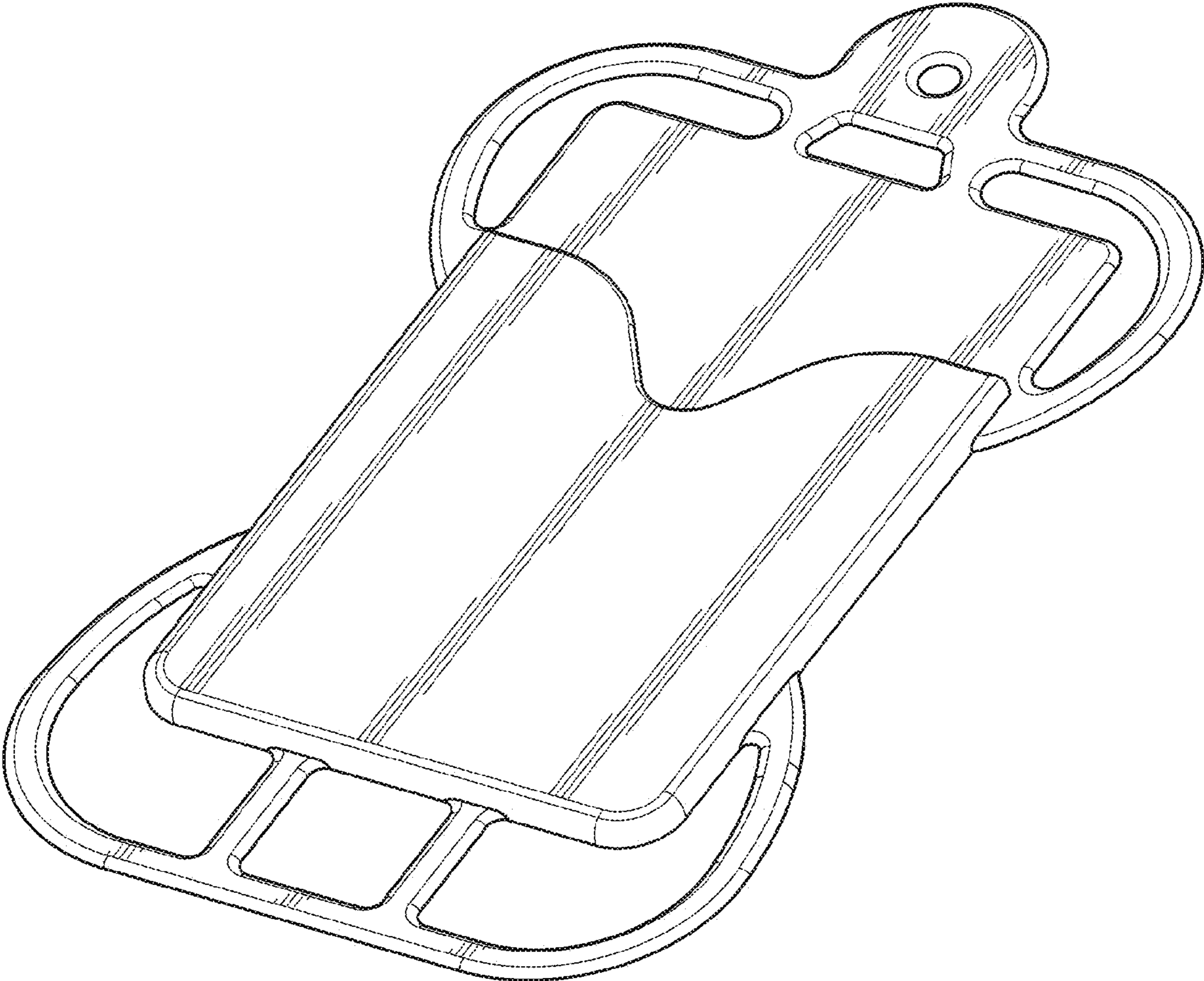


FIG. 1

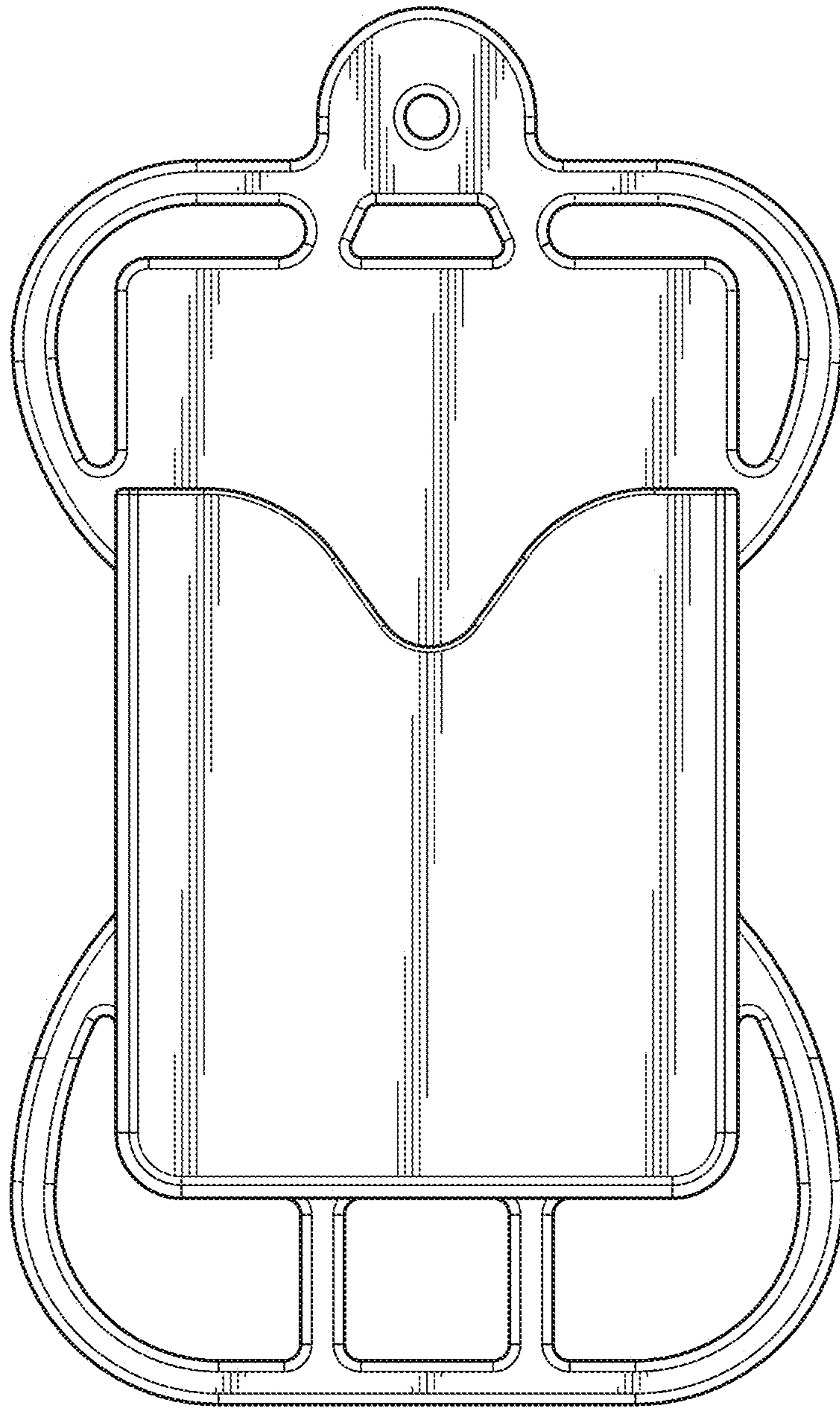


FIG. 2

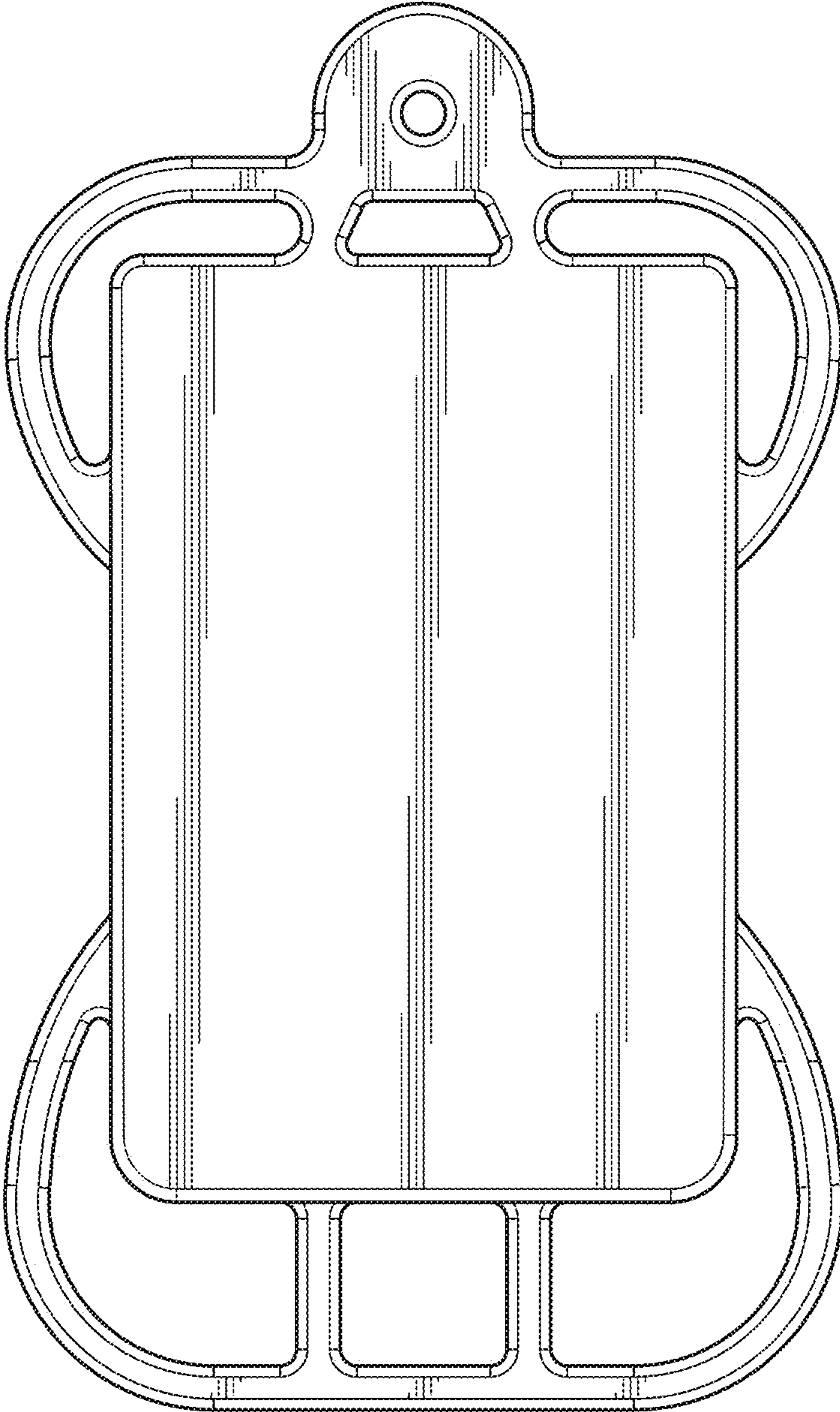


FIG. 3

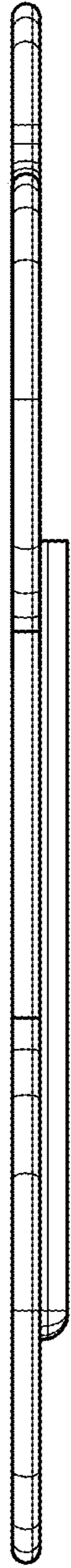


FIG. 4



FIG. 5

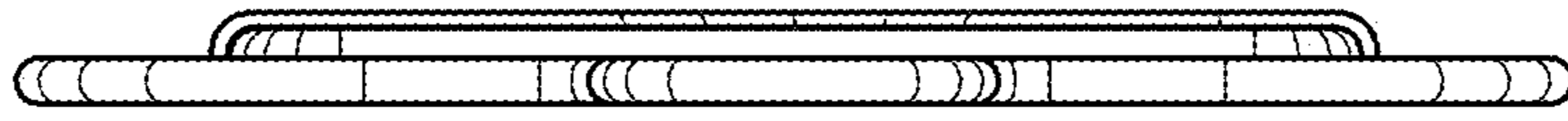


FIG. 6

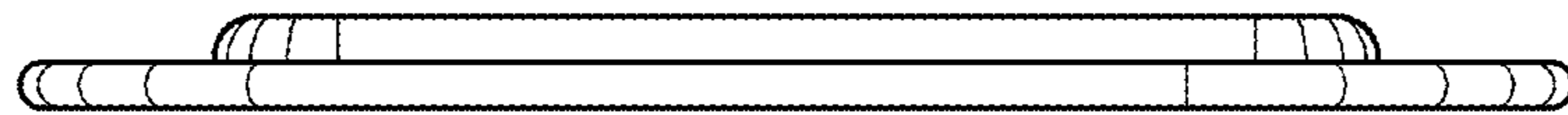


FIG. 7