

US00D879760S

(12) **United States Design Patent** (10) **Patent No.:** **US D879,760 S**  
**Altschul et al.** (45) **Date of Patent:** **\*\* Mar. 31, 2020**

(54) **CASE FOR A MOBILE COMMUNICATIONS DEVICE**

(71) Applicants: **Matthew Altschul**, Austin, TX (US);  
**Michael J. Martin**, Portland, OR (US);  
**Beejan Soheili**, Chula Vista, CA (US)

(72) Inventors: **Matthew Altschul**, Austin, TX (US);  
**Michael J. Martin**, Portland, OR (US);  
**Beejan Soheili**, Chula Vista, CA (US)

(73) Assignee: **CATALYST MEDIUM FOUR, INC.**,  
Austin, TX (US)

(\*\*) Term: **15 Years**

(21) Appl. No.: **29/636,484**

(22) Filed: **Feb. 8, 2018**

(51) **LOC (12) Cl.** ..... **14-03**

(52) **U.S. Cl.**  
USPC ..... **D14/250**

(58) **Field of Classification Search**  
USPC ..... D14/439, 203.3–203.7, 447, 238.1,  
D14/251–253, 217, 240, 250, 440, 248;  
D3/201, 218, 247, 269, 273, 301, 303;  
D13/107–108, 103, 119  
CPC ..... H04B 1/3888; H04M 1/0283; H04M  
1/0202; A45C 1/06; A45C 11/00; A45C  
13/02; A45C 2011/002; A45F 2005/026;  
A45F 2200/0525; A45F 2200/0516  
See application file for complete search history.

(56) **References Cited**

**U.S. PATENT DOCUMENTS**

D389,158 S \* 1/1998 Oross ..... D13/119  
D662,925 S \* 7/2012 Mayberry ..... D14/250  
D688,234 S \* 8/2013 Esses ..... D14/250  
8,509,865 B1 \* 8/2013 LaColla ..... H04M 1/04  
455/556.1

D689,851 S \* 9/2013 Chang ..... D14/250  
D693,350 S \* 11/2013 Mish ..... D14/440  
D694,742 S \* 12/2013 Pan ..... D14/250  
D699,716 S \* 2/2014 Pan ..... D14/250  
D705,769 S \* 5/2014 Esses ..... D14/250  
D709,063 S \* 7/2014 Chang ..... D14/250  
D716,280 S \* 10/2014 Macrina ..... D14/250  
D724,069 S \* 3/2015 Kyum ..... D14/250  
D731,494 S \* 6/2015 Barfoot ..... D14/440  
D746,801 S \* 1/2016 Pan ..... D14/250  
9,264,089 B2 \* 2/2016 Tages ..... H04B 1/3888  
D762,200 S \* 7/2016 Pan ..... D14/250  
D765,632 S \* 9/2016 Northrup ..... D14/250  
D776,105 S \* 1/2017 Han ..... D14/250  
D780,738 S \* 3/2017 Barfoot ..... D14/250  
D786,230 S \* 5/2017 Yang ..... D14/250  
D794,625 S \* 8/2017 Armstrong ..... D14/250

(Continued)

*Primary Examiner* — Carla J Wright

(74) *Attorney, Agent, or Firm* — Scheinberg &  
Associates, PC; John B. Kelly; Michael O. Scheinberg

(57) **CLAIM**

The ornamental design for a case for a mobile communica-  
tions device, as shown and described.

**DESCRIPTION**

FIG. 1 is a back, left-side, and bottom perspective view of  
a case for a mobile communications device.

FIG. 2 is a front, right-side, and top perspective view  
thereof.

FIG. 3 is a front elevation view thereof.

FIG. 4 is a back elevation view thereof.

FIG. 5 is a left-side elevation view thereof.

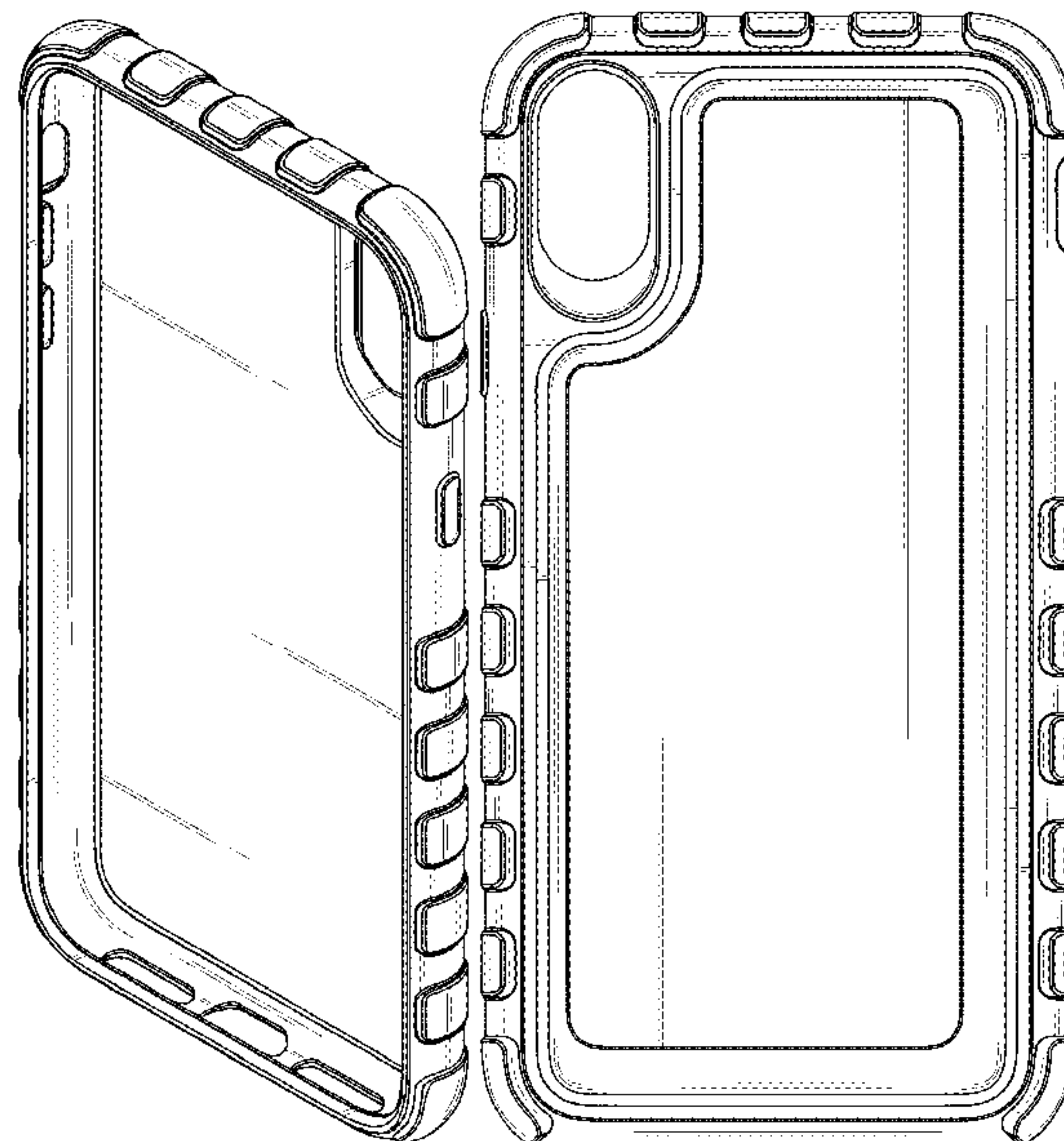
FIG. 6 is a right-side elevation view thereof.

FIG. 7 is a top plan view thereof; and,

FIG. 8 is bottom plan view thereof.

The broken lines in FIG. 1 depict an environmental mobile  
communications device within the case that forms no part of  
the claimed design.

**1 Claim, 3 Drawing Sheets**



(56)

**References Cited**

U.S. PATENT DOCUMENTS

D811,379 S \* 2/2018 Armstrong ..... D14/250  
D839,258 S \* 1/2019 Ahn ..... D14/250  
D844,597 S \* 4/2019 Ahn ..... D14/250  
2016/0021996 A1\* 1/2016 Tien ..... A45C 11/00  
224/191  
2016/0285497 A1\* 9/2016 Roberts ..... A45F 5/00

\* cited by examiner

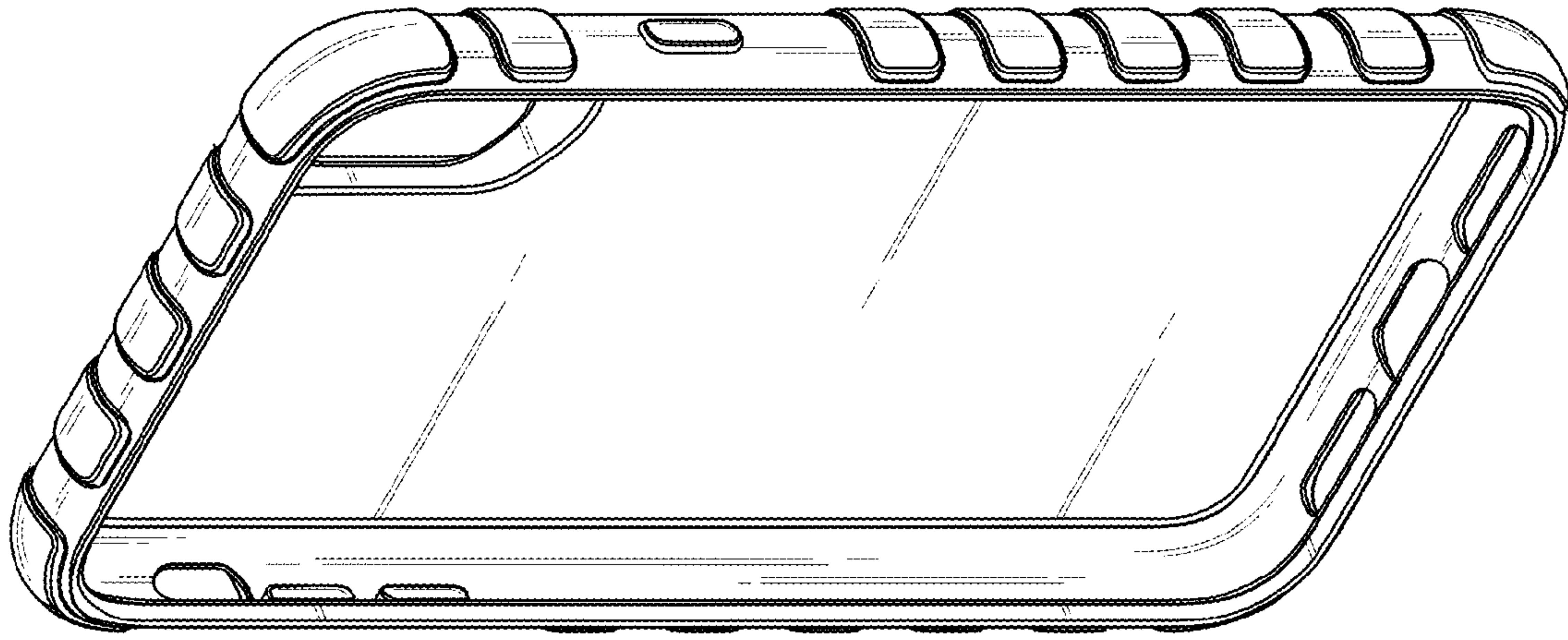


FIG. 2

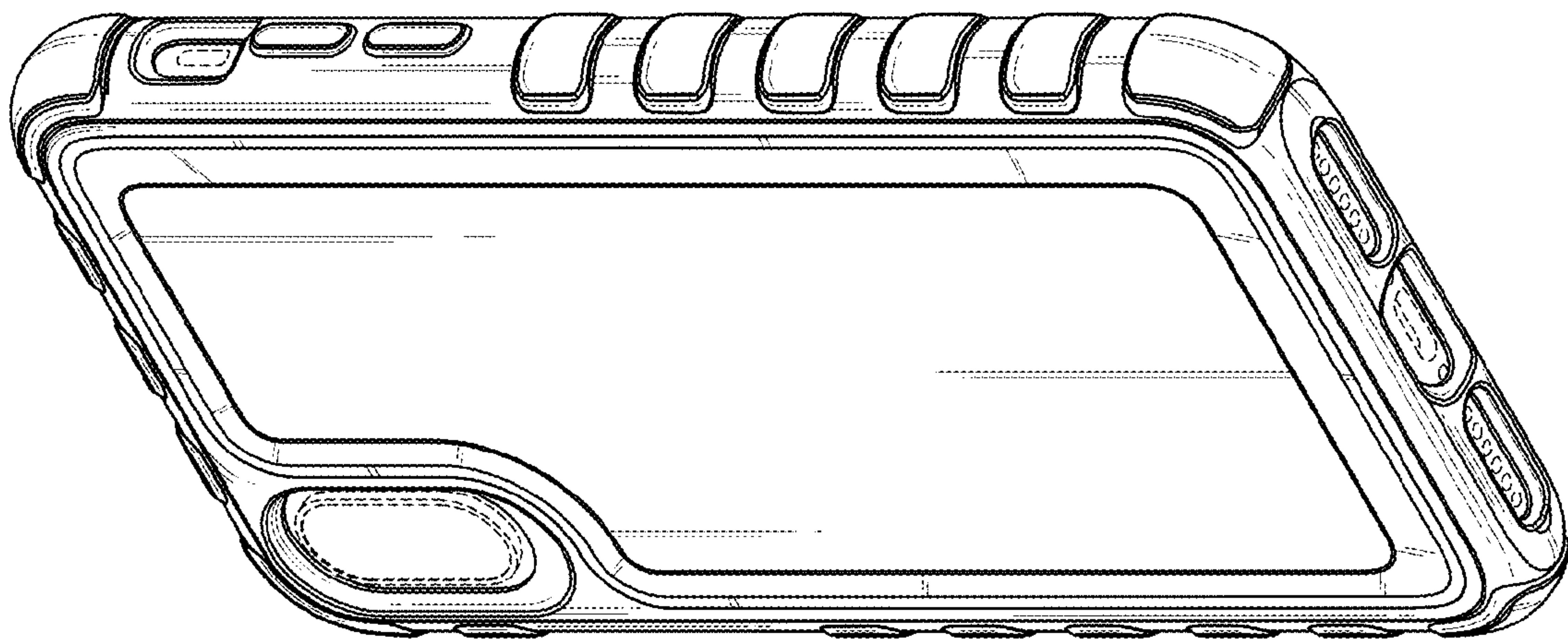


FIG. 1



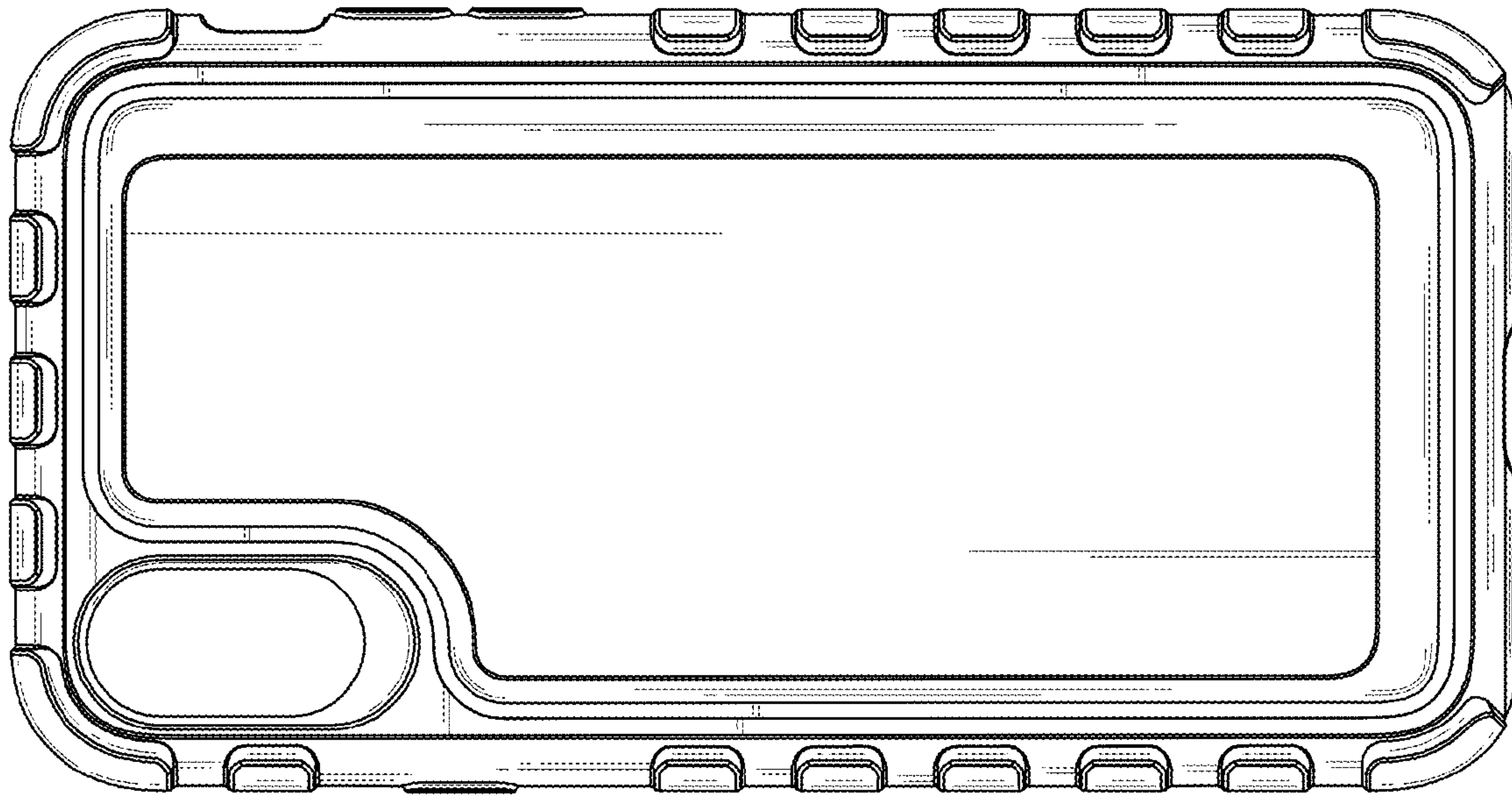


FIG. 4

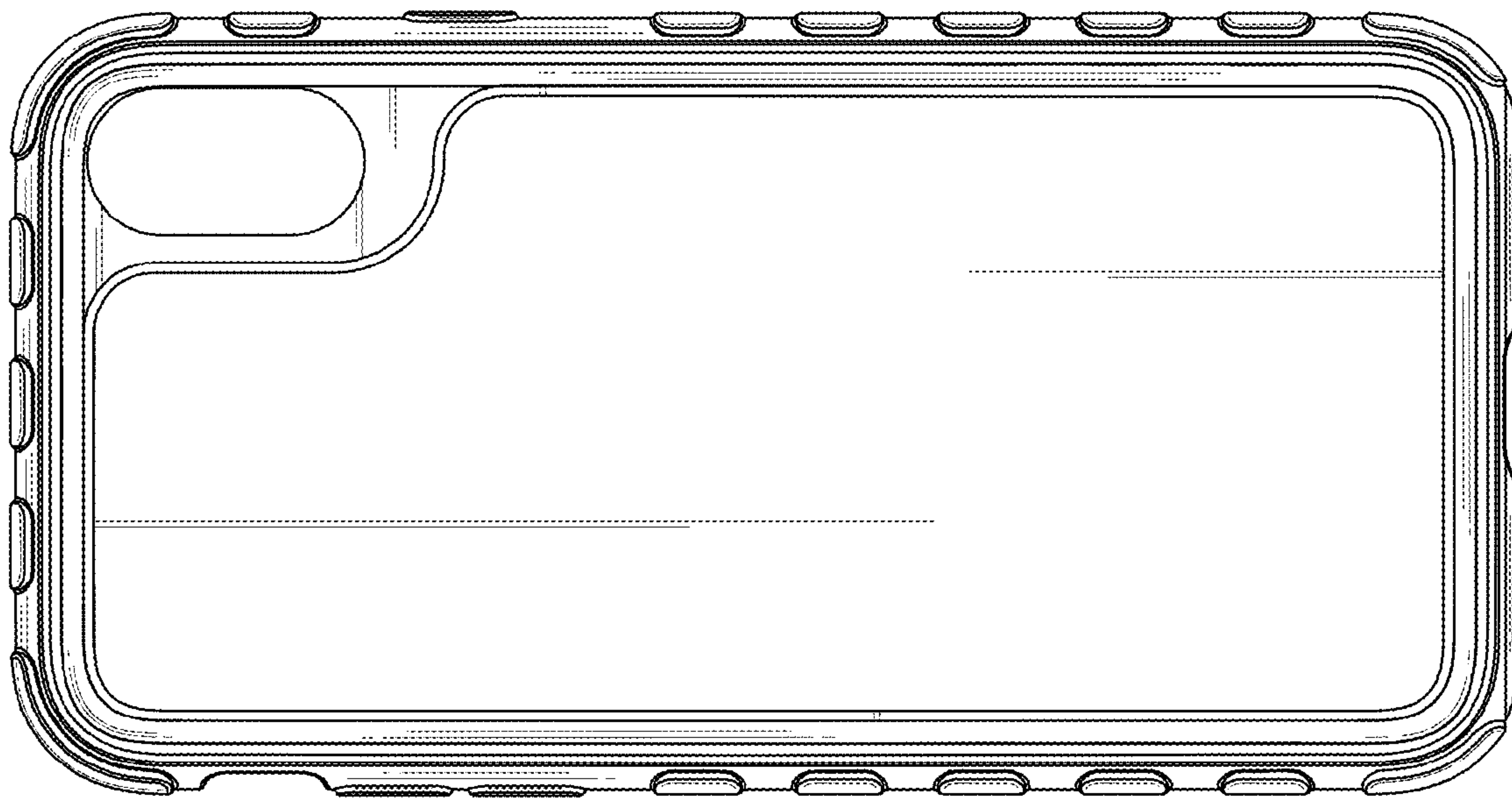


FIG. 3

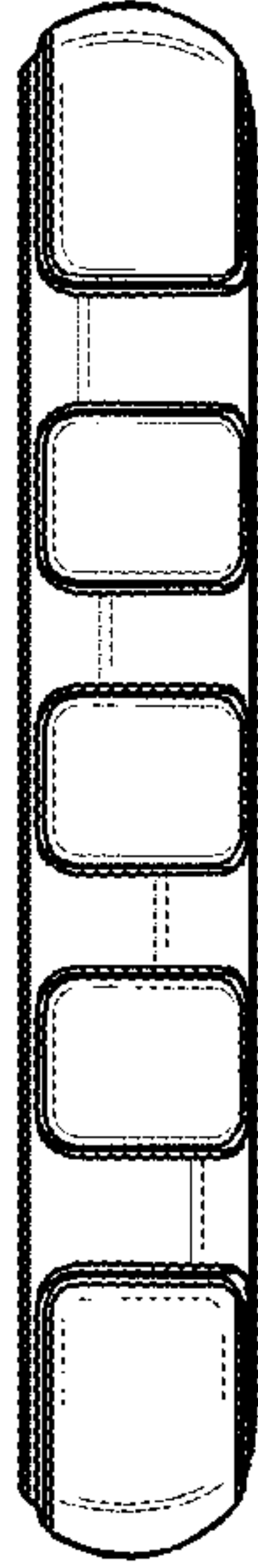


FIG. 7

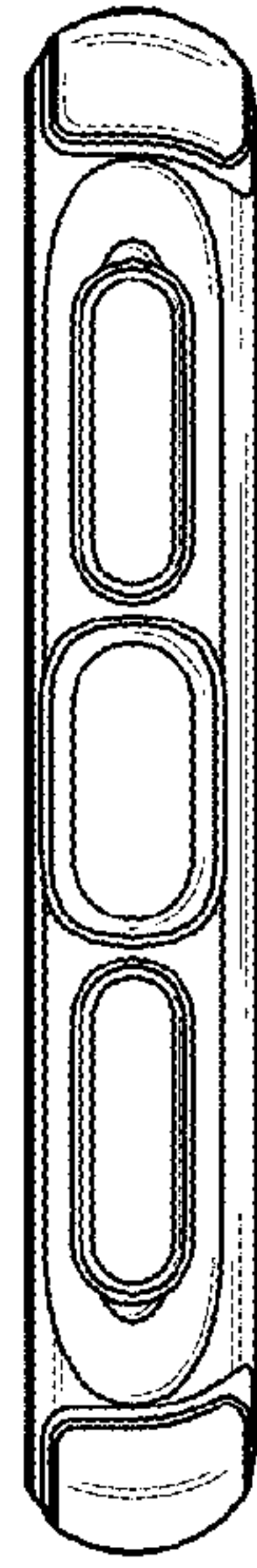


FIG. 8

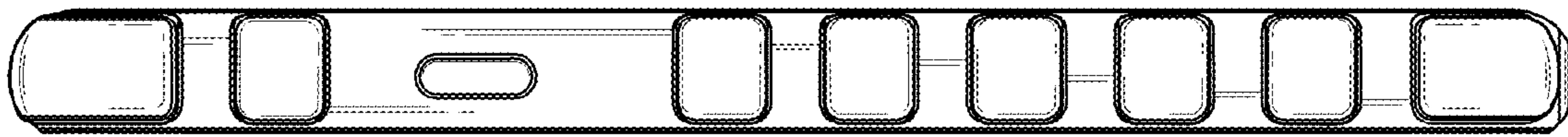


FIG. 6

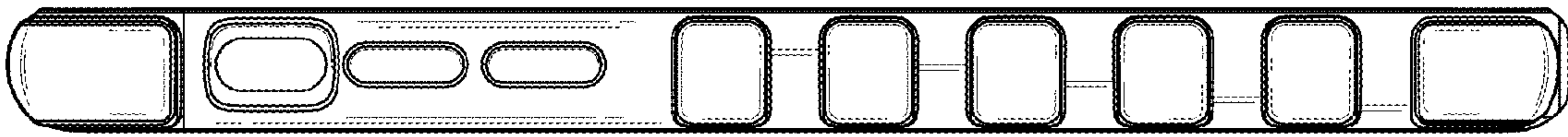


FIG. 5