



US00D879759S

(12) **United States Design Patent**  
**Oh et al.**

(10) **Patent No.:** **US D879,759 S**  
(45) **Date of Patent:** **\*\* Mar. 31, 2020**

(54) **CASE FOR ELECTRONIC DEVICE**

- (71) Applicant: **Samsung Electronics Co., Ltd.**, Suwon-si (KR)
- (72) Inventors: **Wonseok Oh**, Seoul (KR); **Kiseong Kim**, Gwangmyeong-si (KR); **Junghyun Kim**, Seoul (KR); **Jungtaek Lee**, Yongin-si (KR); **Dohyung Ha**, Gwangmyeong-si (KR)
- (73) Assignee: **SAMSUNG ELECTRONICS CO., LTD.**, Suwon-si (KR)

(\*\*) Term: **15 Years**

(21) Appl. No.: **29/632,624**

(22) Filed: **Jan. 9, 2018**

(30) **Foreign Application Priority Data**

Oct. 16, 2017 (KR) ..... 30-2017-0047932

(51) **LOC (12) Cl.** ..... **14-03**

(52) **U.S. Cl.**  
USPC ..... **D14/250**

(58) **Field of Classification Search**  
USPC ..... D3/201, 218, 226, 227, 247, 249, 250, D3/269, 303; D13/103, 107, 108, 119; D14/137, 138 R, 138 AA, 138 C, 138 G, D14/172, 192, 203.3–203.7, 217, 238.1, D14/247, 248, 250–253, 434, 440, 447, D14/496

(Continued)

(56) **References Cited**

**U.S. PATENT DOCUMENTS**

- D624,304 S \* 9/2010 Danze ..... D3/201
- D705,534 S \* 5/2014 Manjerico ..... D3/218

(Continued)

**OTHER PUBLICATIONS**

Samsung Galaxy Note 9 Official Case Overview, publication date Nov. 8, 2018, [online][site visited Dec. 16, 2019] URL: [https://www.phonearena.com/news/Samsung-Galaxy-Note-9-official-cases-overview-S-View-Leather-Wallet-Silicone-Cover-review\\_id110735](https://www.phonearena.com/news/Samsung-Galaxy-Note-9-official-cases-overview-S-View-Leather-Wallet-Silicone-Cover-review_id110735) (Year: 2018).\*

*Primary Examiner* — Susan E Krakower  
*Assistant Examiner* — L. A. Grabenstetter  
(74) *Attorney, Agent, or Firm* — McAndrews Held & Malloy, Ltd.

(57) **CLAIM**

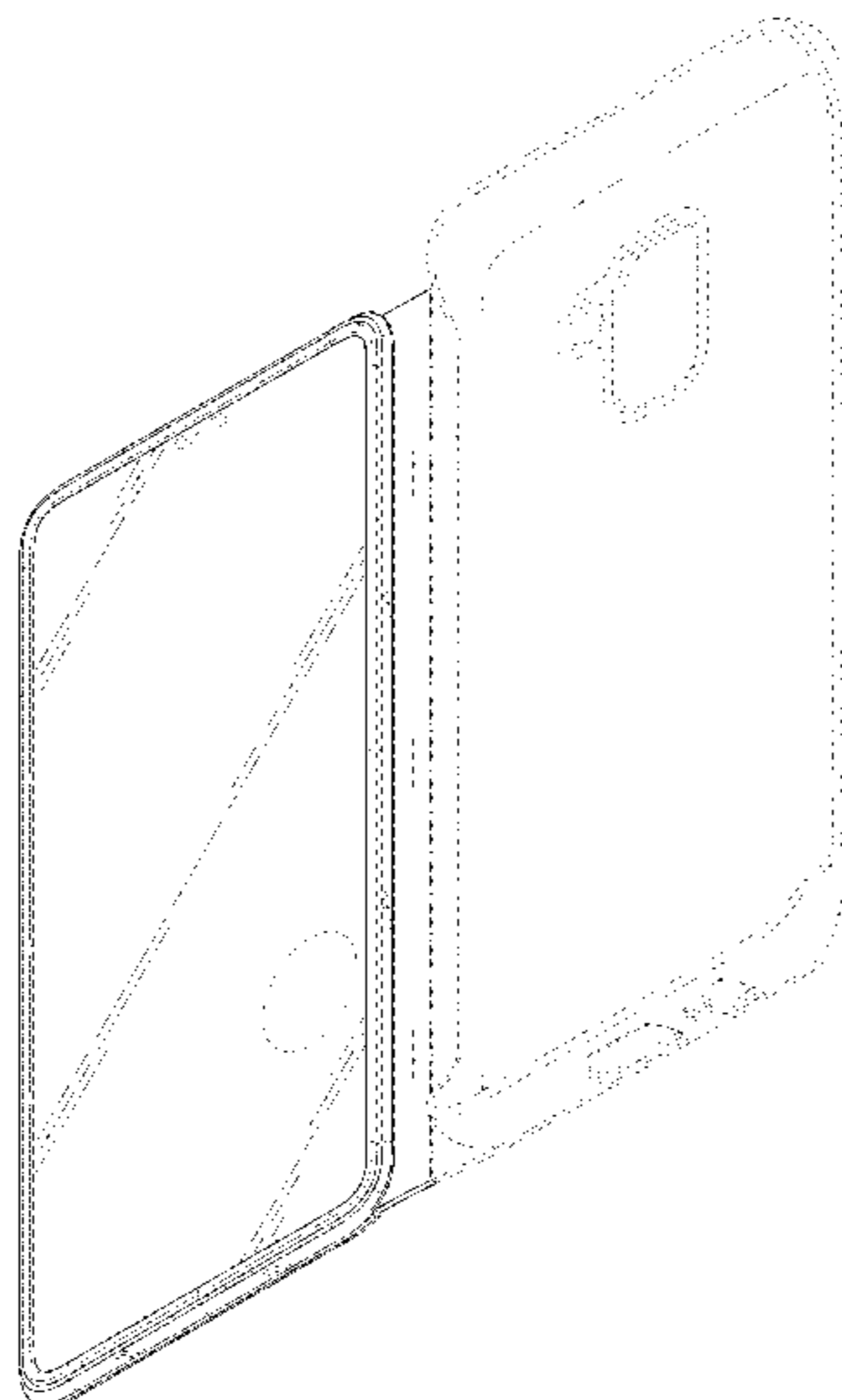
The ornamental design for a case for electronic device, as shown and described.

**DESCRIPTION**

FIG. 1 is a front perspective view of a case for electronic device showing our new design; FIG. 2 is a front elevation view thereof; FIG. 3 is a rear elevation view thereof; FIG. 4 is a left side elevation view thereof; FIG. 5 is a right side elevation view thereof; FIG. 6 is a top plan view thereof; FIG. 7 is a bottom plan view thereof; FIG. 8 is a rear perspective view thereof; FIG. 9 is an enlarged view of the portion 9 encircled in FIG. 4; FIG. 10 is an enlarged view of the portion 10 encircled in FIG. 5; and, FIG. 11 is an enlarged view of the portion 11 encircled in FIG. 6.

The dashed broken lines in the drawings illustrate portions of the case for electronic device that form no part of the claimed design. The uneven dot-dash broken lines in the drawings define the boundaries of the claimed design and form no part thereof. The dot-dot-dash broken lines in the drawings encircle portions of the claimed design that are illustrated in enlargements and form no part of the claimed design.

**1 Claim, 9 Drawing Sheets**



(58) **Field of Classification Search**

CPC ..... H04B 1/3888; H04M 1/0283; H04M  
 1/0202; A45C 1/06; A45C 2011/002;  
 A45C 11/00; A45F 2005/028; A45F  
 2200/0525

See application file for complete search history.

(56) **References Cited**

U.S. PATENT DOCUMENTS

D729,522	S	*	5/2015	Kim	.....	D3/218
D759,957	S	*	6/2016	Willows	.....	D3/218
D765,631	S	*	9/2016	Harata	.....	D14/250
D769,853	S	*	10/2016	Kim	.....	D14/250
D772,214	S	*	11/2016	Daniel	.....	D14/250
D773,446	S	*	12/2016	Kim	.....	D14/250
D774,496	S	*	12/2016	Kim	.....	D14/250
D774,497	S	*	12/2016	Kim	.....	D14/250
D775,616	S	*	1/2017	Kim	.....	D14/250
D777,158	S	*	1/2017	Lee	.....	D14/250
D777,159	S	*	1/2017	Lee	.....	D14/250
D777,161	S	*	1/2017	Lee	.....	D14/250
D781,278	S	*	3/2017	Kim	.....	D14/250
D788,093	S	*	5/2017	Lee	.....	D14/250
D789,342	S	*	6/2017	Sirichai	.....	D14/250
D791,114	S	*	7/2017	Lee	.....	D14/250
D791,756	S	*	7/2017	Kim	.....	D14/250
D791,758	S	*	7/2017	Lee	.....	D14/250
D800,714	S	*	10/2017	Lee	.....	D14/250
D805,064	S	*	12/2017	Lee	.....	D14/250
D806,378	S	*	1/2018	Lerenthal	.....	D3/201
D809,497	S	*	2/2018	Kim	.....	D14/250
2016/0113136	A1	*	4/2016	Shin	.....	G06F 1/1626 361/679.01
2016/0187922	A1	*	6/2016	Han	.....	G06F 1/203 361/679.55

\* cited by examiner

FIG. 1

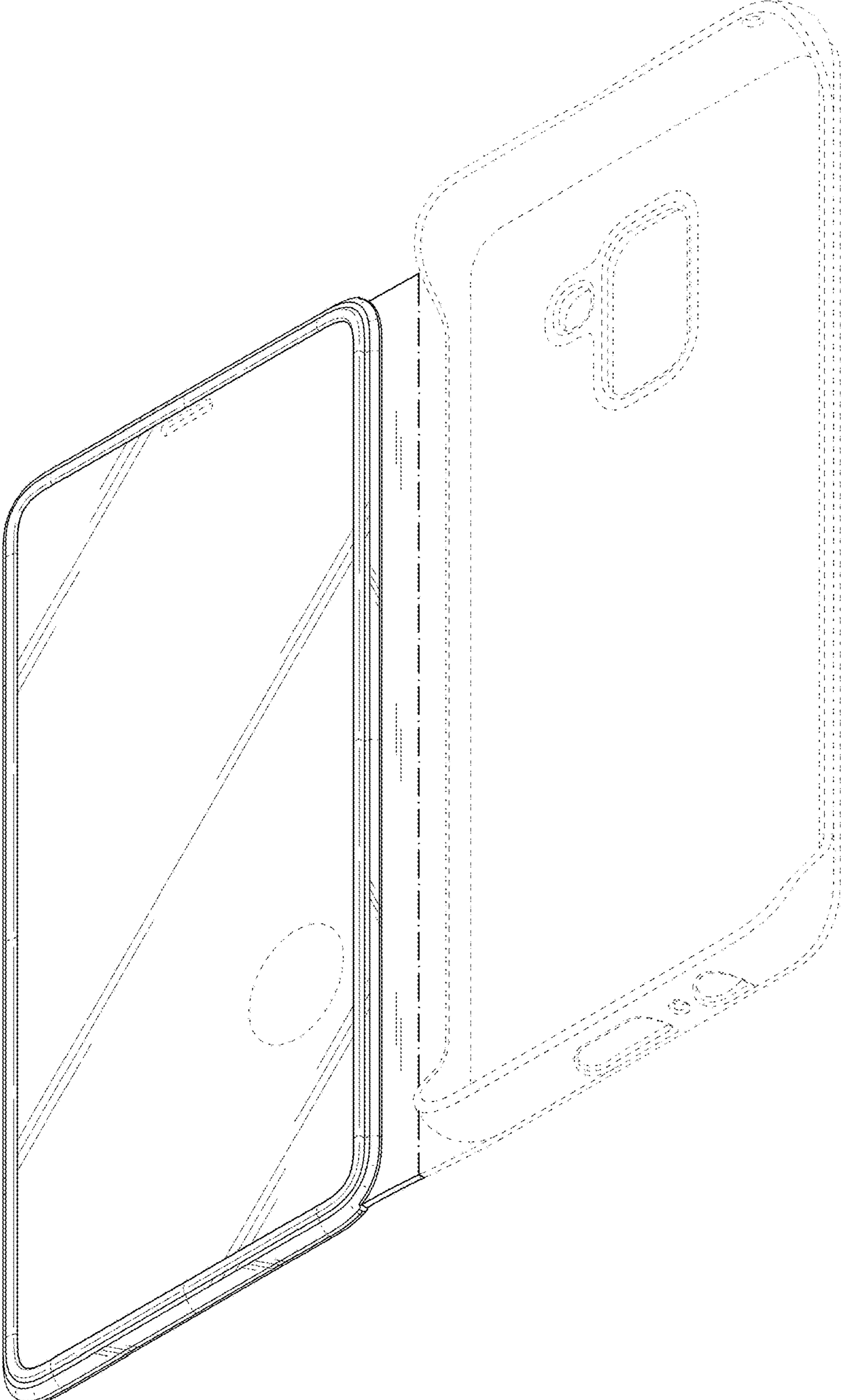


FIG.2

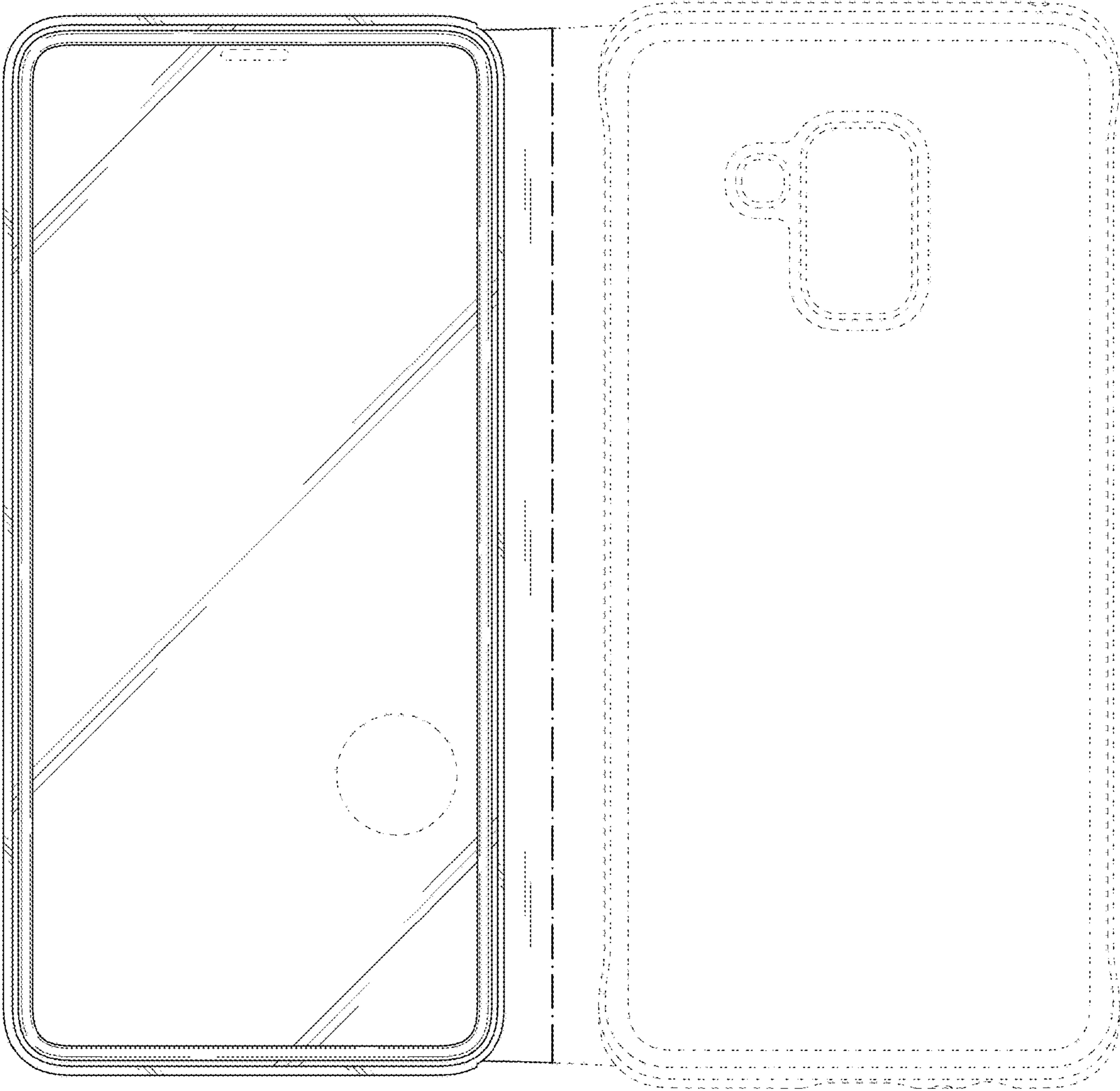


FIG.3

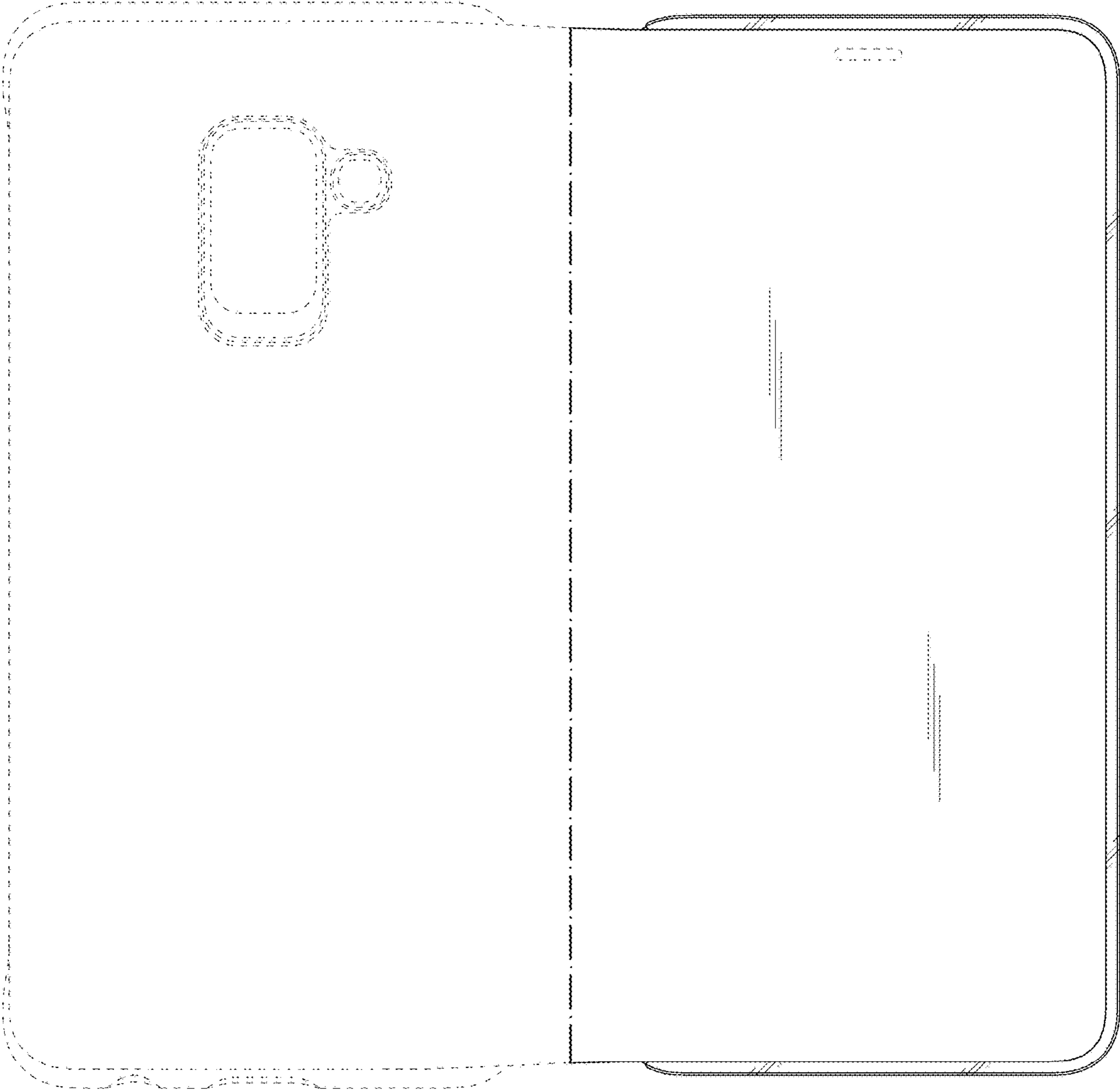


FIG.4

FIG.5

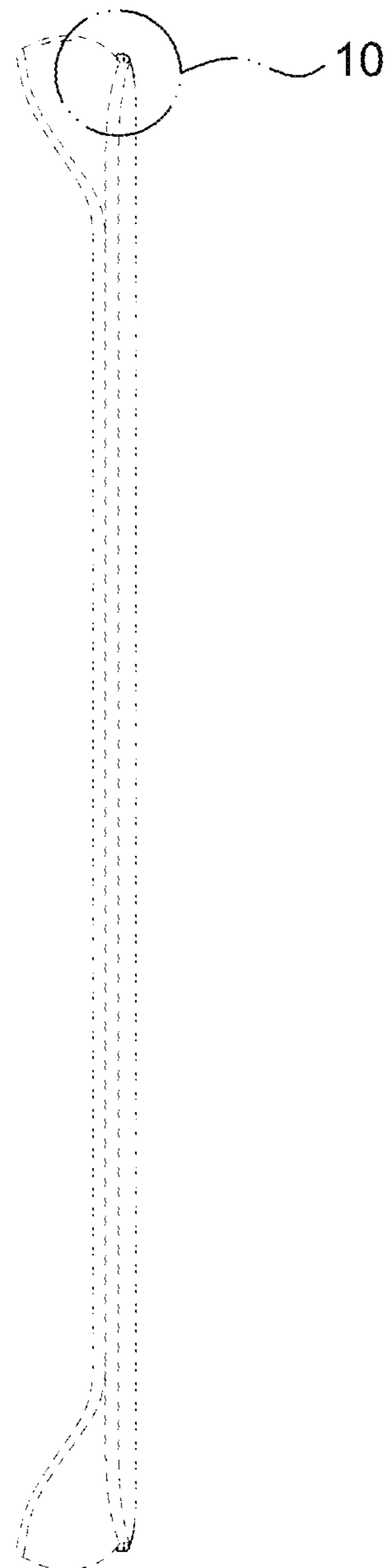
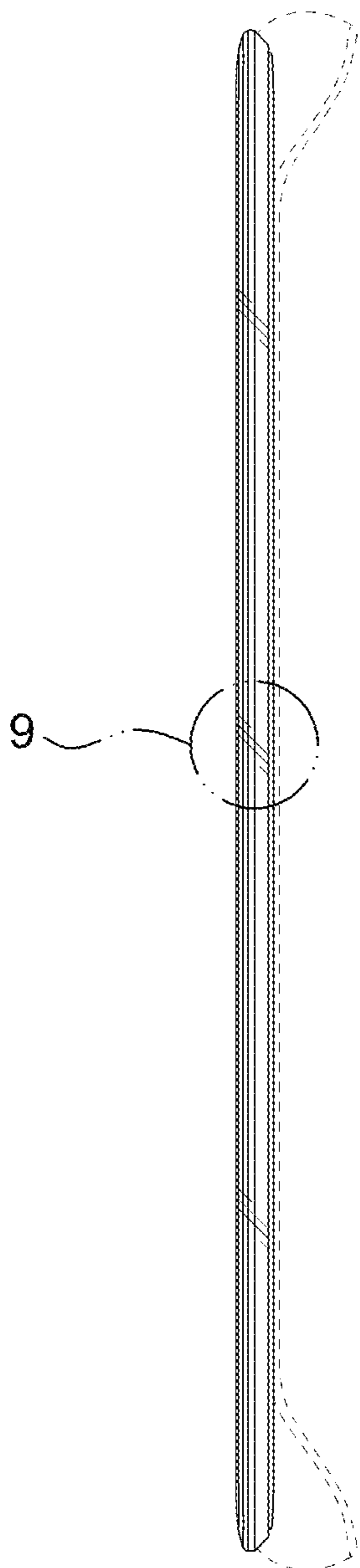


FIG.6

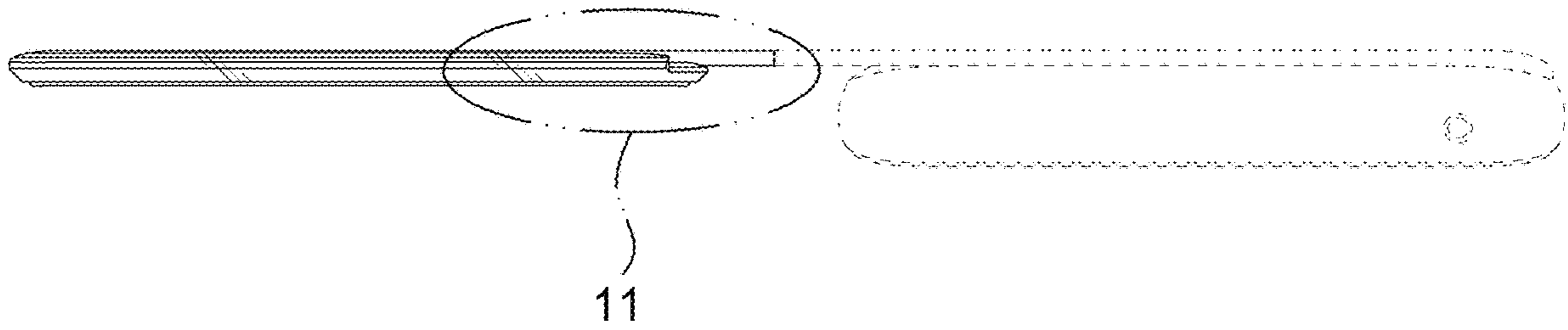


FIG.7

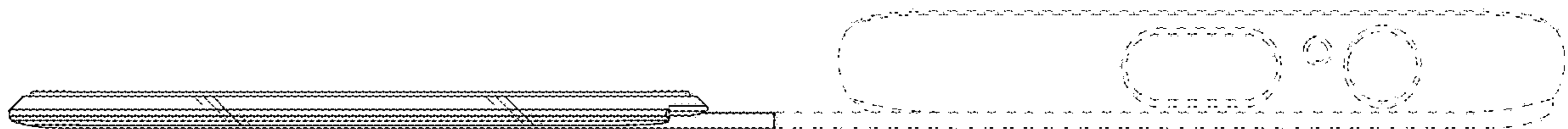


FIG.8

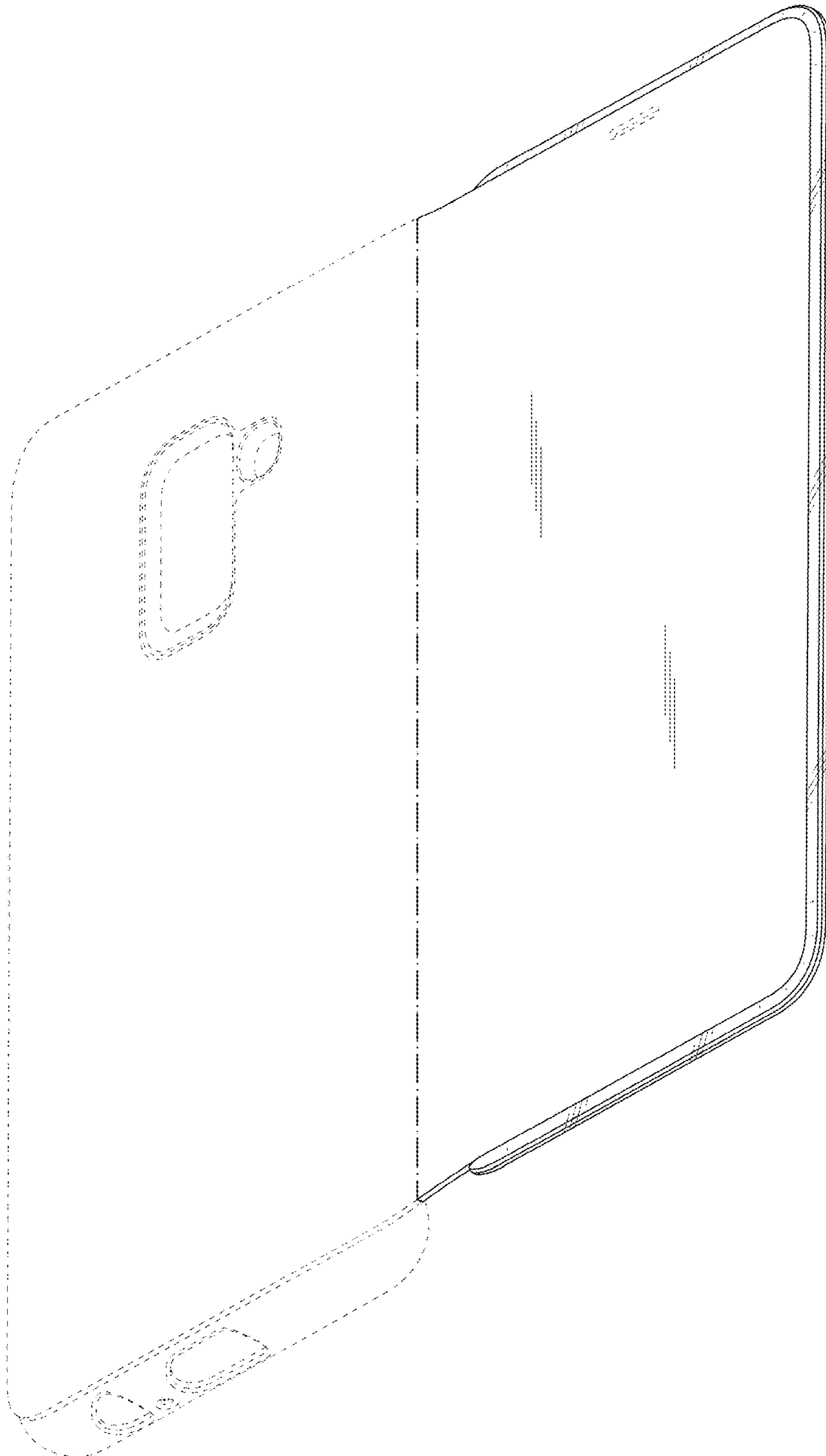




FIG.9

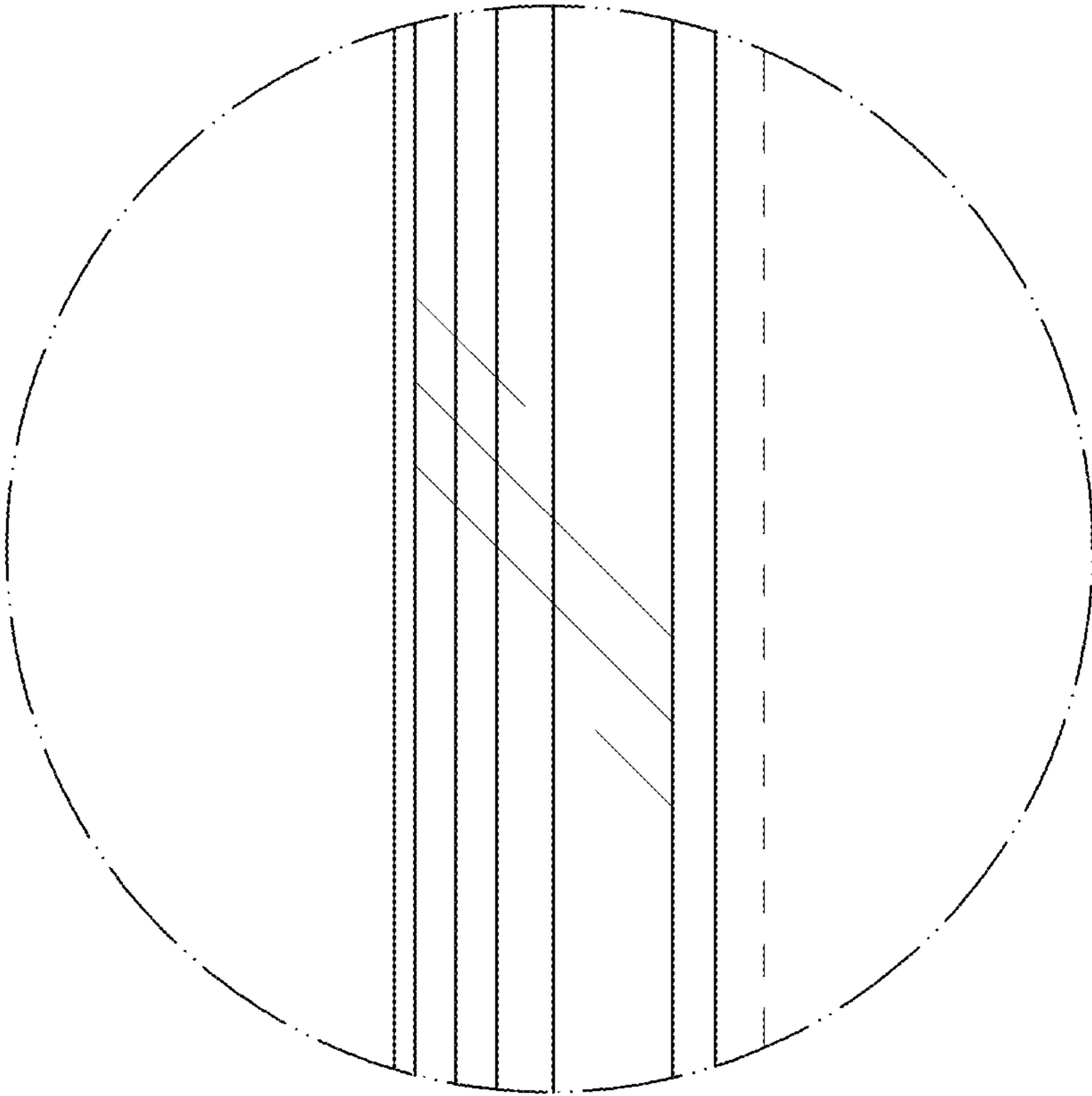


FIG. 10

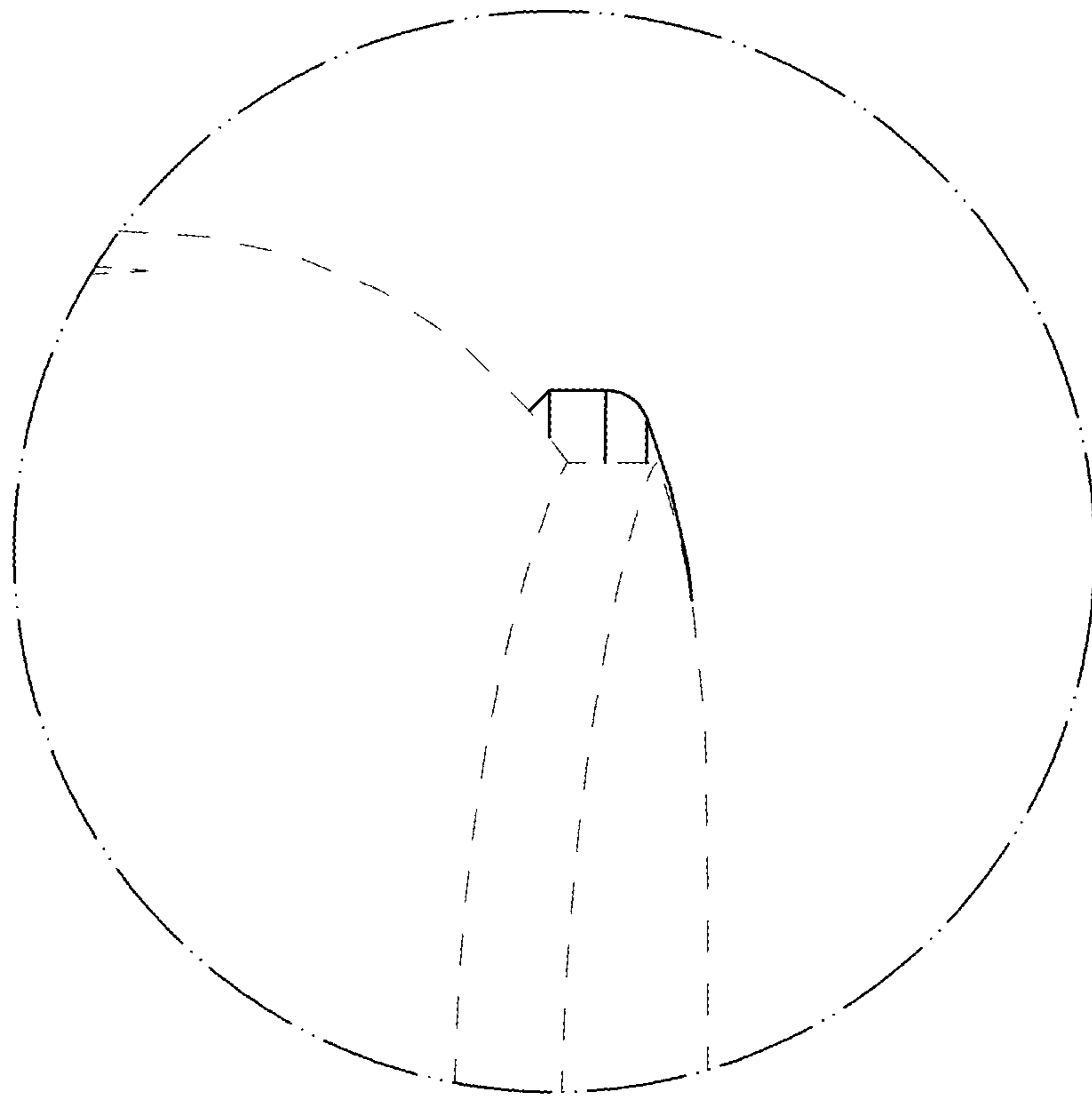


FIG.11

