



US00D879758S

(12) **United States Design Patent** (10) **Patent No.:** **US D879,758 S**
Altschul et al. (45) **Date of Patent:** **** *Mar. 31, 2020**

(54) **POCKET CASE FOR MOBILE COMMUNICATIONS DEVICE COMBINED WITH CARRYING COMPARTMENT FOR CREDIT CARD SIZED ITEMS**
(71) Applicants: **Matthew Altschul**, Austin, TX (US); **Michael J. Martin**, Portland, OR (US); **Beejan Soheili**, Chula Vista, CA (US)

(72) Inventors: **Matthew Altschul**, Austin, TX (US); **Michael J. Martin**, Portland, OR (US); **Beejan Soheili**, Chula Vista, CA (US)

(73) Assignee: **CATALYST MEDIUM FOUR, INC.**, Austin, TX (US)

(*) Notice: This patent is subject to a terminal disclaimer.

(**) Term: **15 Years**

(21) Appl. No.: **29/582,373**

(22) Filed: **Oct. 27, 2016**

(51) **LOC (12) Cl.** **14-03**

(52) **U.S. Cl.**
USPC **D14/250**

(58) **Field of Classification Search**
USPC D14/439, 203.3–203.7, 447, 238.1, D14/251–253, 217, 240, 250, 440, 248; D3/201, 218, 247, 269, 273, 301, 303; D13/107–108, 103, 119
CPC H04B 1/3888; H04M 1/0283; H04M 1/0202; A45C 1/06; A45C 11/00; A45C 13/02; A45C 2011/002; A45F 2005/026; A45F 2200/0525; A45F 2200/0516
See application file for complete search history.

(56) **References Cited**

U.S. PATENT DOCUMENTS

D615,078 S * 5/2010 Bradley D14/250
D624,064 S * 9/2010 Esposito D14/250

D653,656 S * 2/2012 Charnas D14/250
D678,871 S * 3/2013 Mishan D14/250
D679,684 S * 4/2013 Baker D14/250
D688,654 S * 8/2013 Stevinson D14/250
D688,655 S * 8/2013 Rey-Hipolito D14/250
D703,651 S * 4/2014 Ehrlich D14/250
D705,764 S * 5/2014 Thoni D14/250

(Continued)

Primary Examiner — Carla J Wright

(74) *Attorney, Agent, or Firm* — Scheinberg & Associates, PC; John B. Kelly; Michael O. Scheinberg

(57) **CLAIM**

The ornamental design for a pocket case for mobile communications device combined with carrying compartment for credit card sized items, as shown and described.

DESCRIPTION

FIG. 1 is a back elevation view of a pocket case for mobile communications device combined with carrying compartment for credit card sized items according to the present design.

FIG. 2 is a front elevation view thereof.

FIG. 3 is a back, left-side, and bottom perspective view thereof.

FIG. 4 is a back, right-side, and bottom perspective view thereof.

FIG. 5 is a back, right-side, and top perspective view thereof.

FIG. 6 is a back, left-side, and top perspective view thereof.

FIG. 7 is a left-side elevation view thereof.

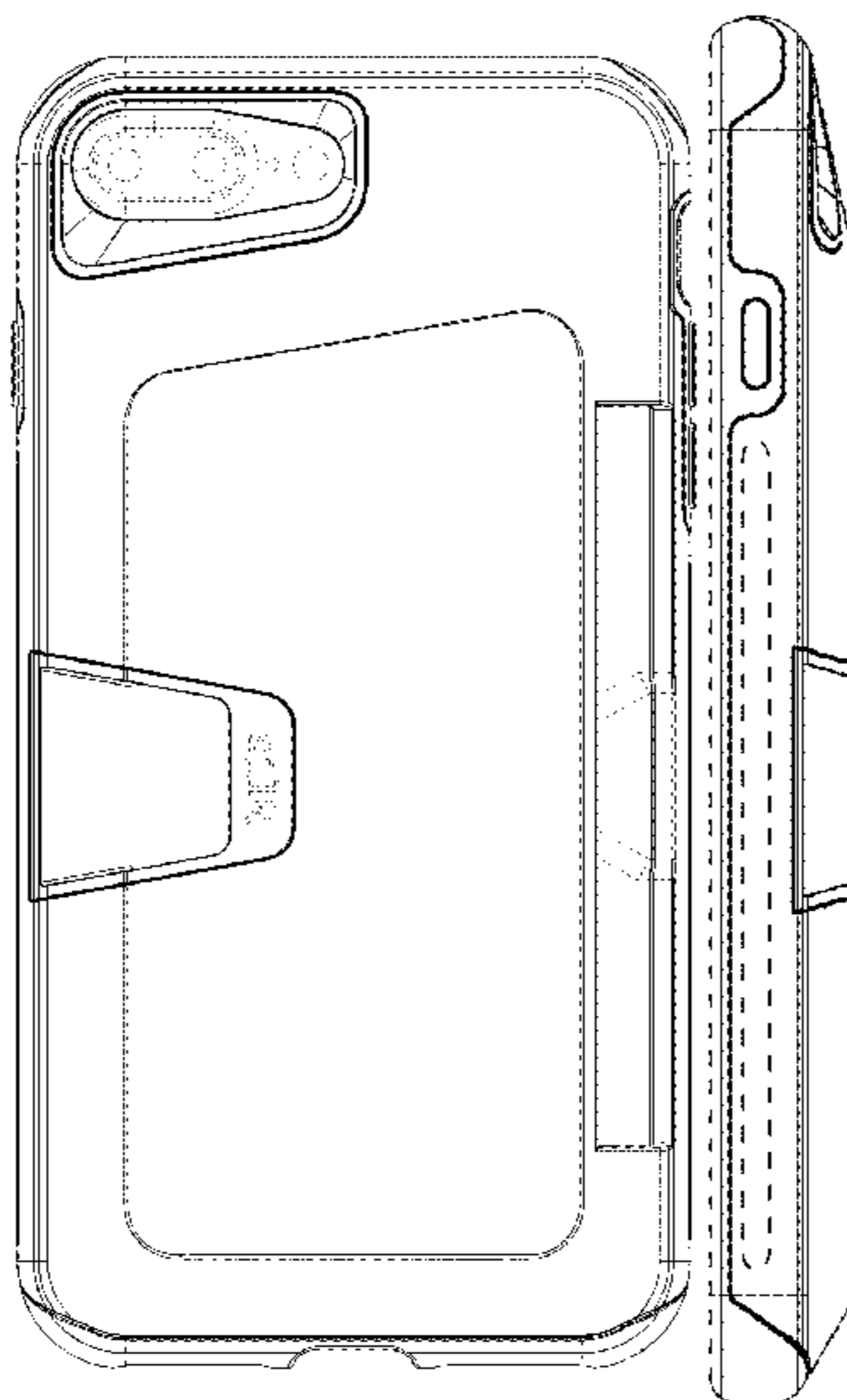
FIG. 8 is a right-side elevation view thereof.

FIG. 9 is a bottom plan view thereof; and,

FIG. 10 is a top plan view thereof.

The broken lines throughout the drawing figures depict an environmental mobile communications device within the pocket case and portions of the pocket case that form no part of the claimed design.

1 Claim, 8 Drawing Sheets



(56)

References Cited

U.S. PATENT DOCUMENTS

D712,890	S *	9/2014	McCormac	D14/250
D719,143	S *	12/2014	Vidovic	D14/250
D721,689	S *	1/2015	Altschul	H04B 1/3888 D14/250
D759,966	S *	6/2016	Pignotti	D3/247
D765,069	S *	8/2016	Jeffrey	D14/250
D772,212	S *	11/2016	Daniel	D14/250
D776,101	S *	1/2017	Poon	D14/250
D776,646	S *	1/2017	Deng	D14/250
D816,653	S *	5/2018	Yu	D14/250
D824,892	S *	8/2018	Altschul	D14/250
D830,352	S *	10/2018	Chung	D14/250
D831,630	S *	10/2018	Altschul	D14/250
D836,096	S *	12/2018	Altschul	D14/250
D836,620	S *	12/2018	Ehrlich	D14/250
2013/0095898	A1 *	4/2013	Altschul	H04M 1/0283 455/575.8
2015/0027802	A1 *	1/2015	Altschul	A45C 11/00 181/177

* cited by examiner

FIG. 1

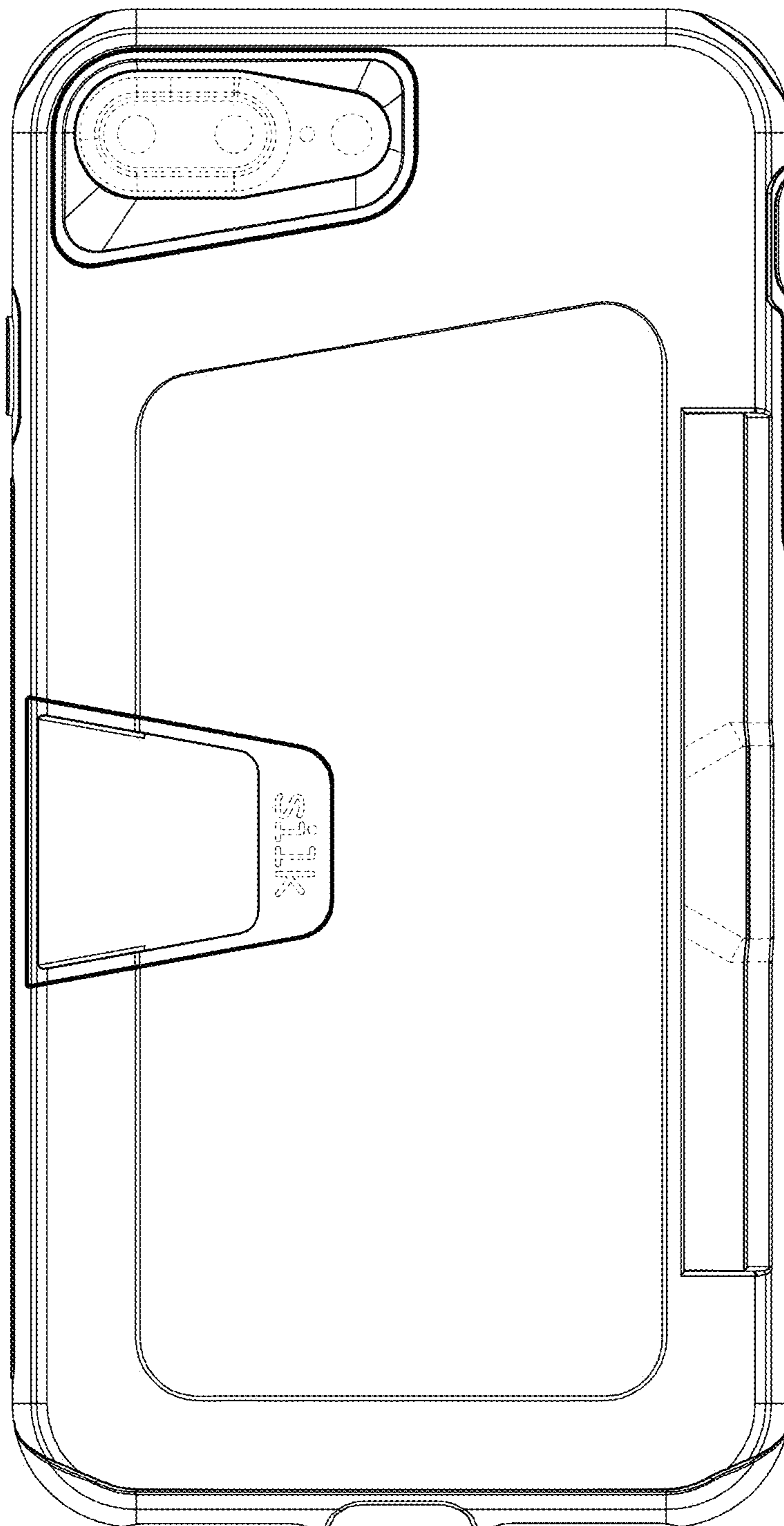


FIG. 2

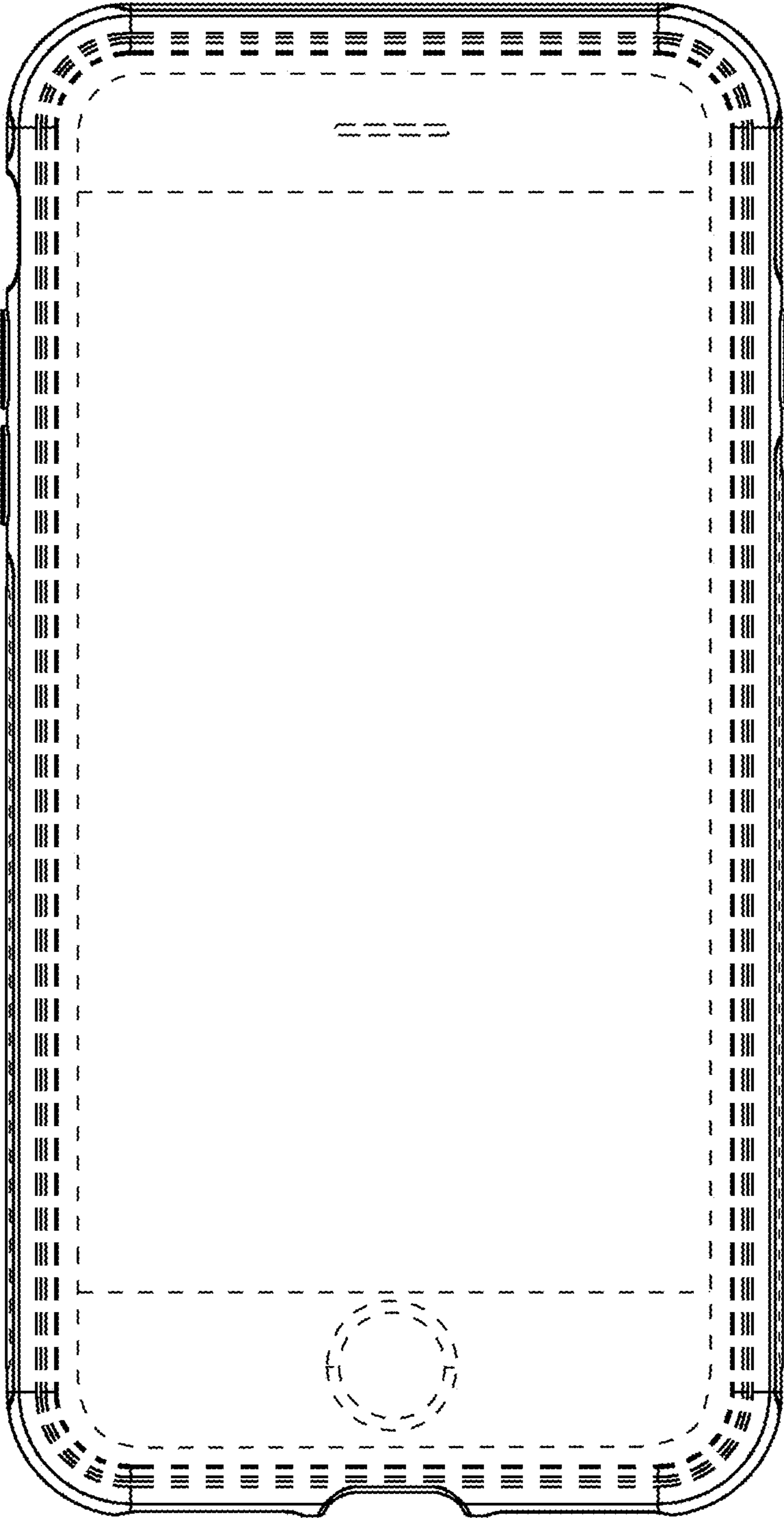


FIG. 3

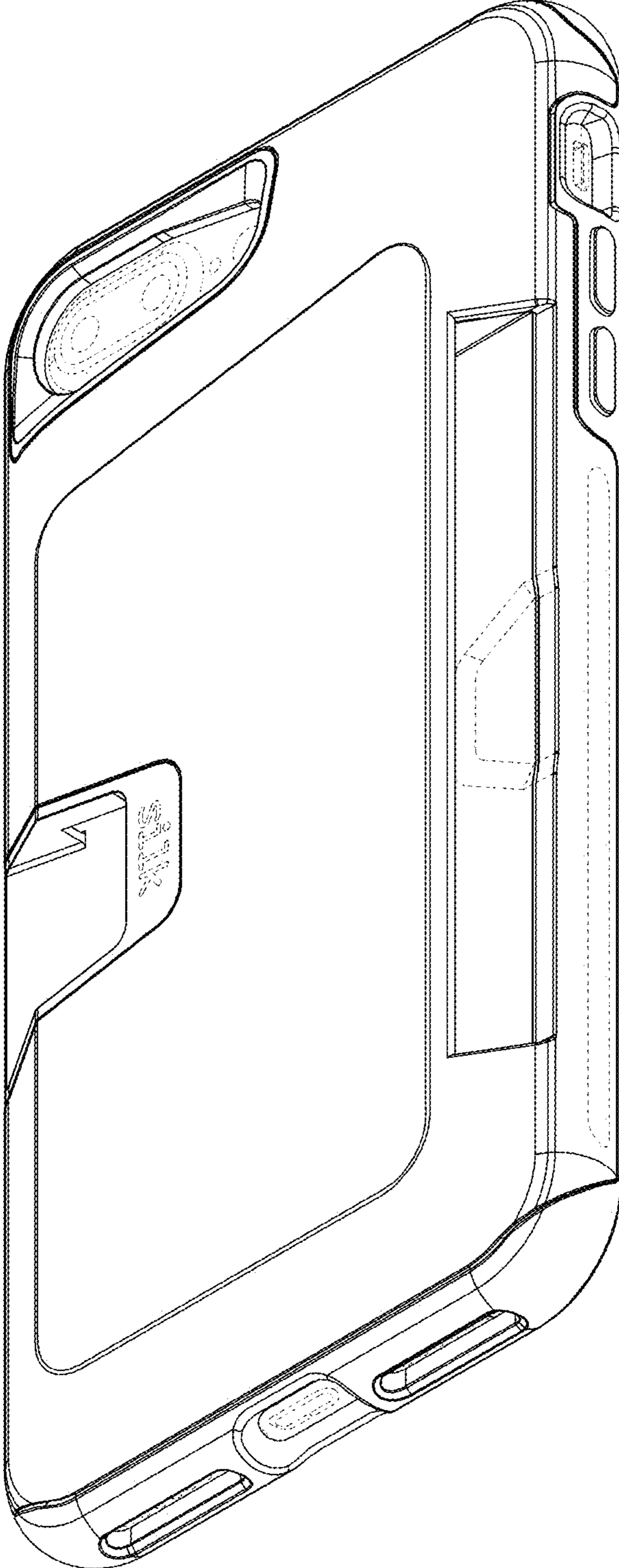


FIG. 4

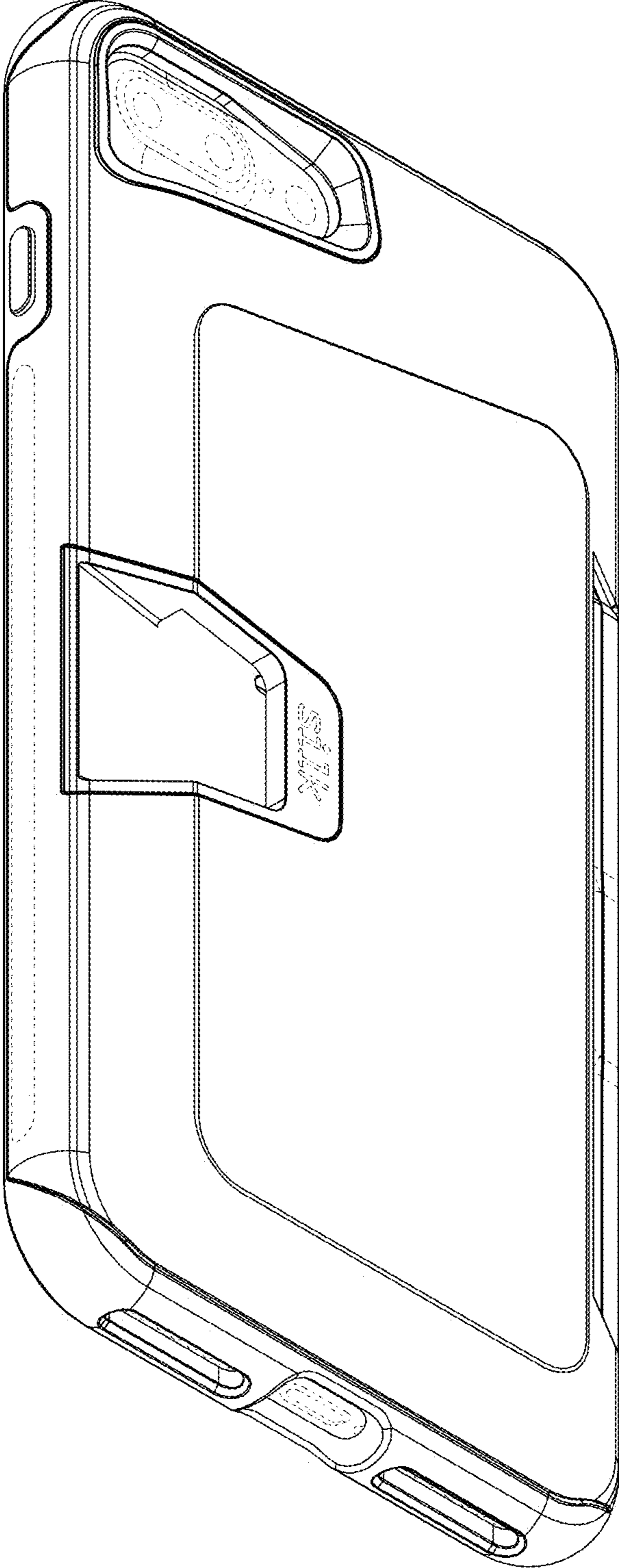


FIG. 5

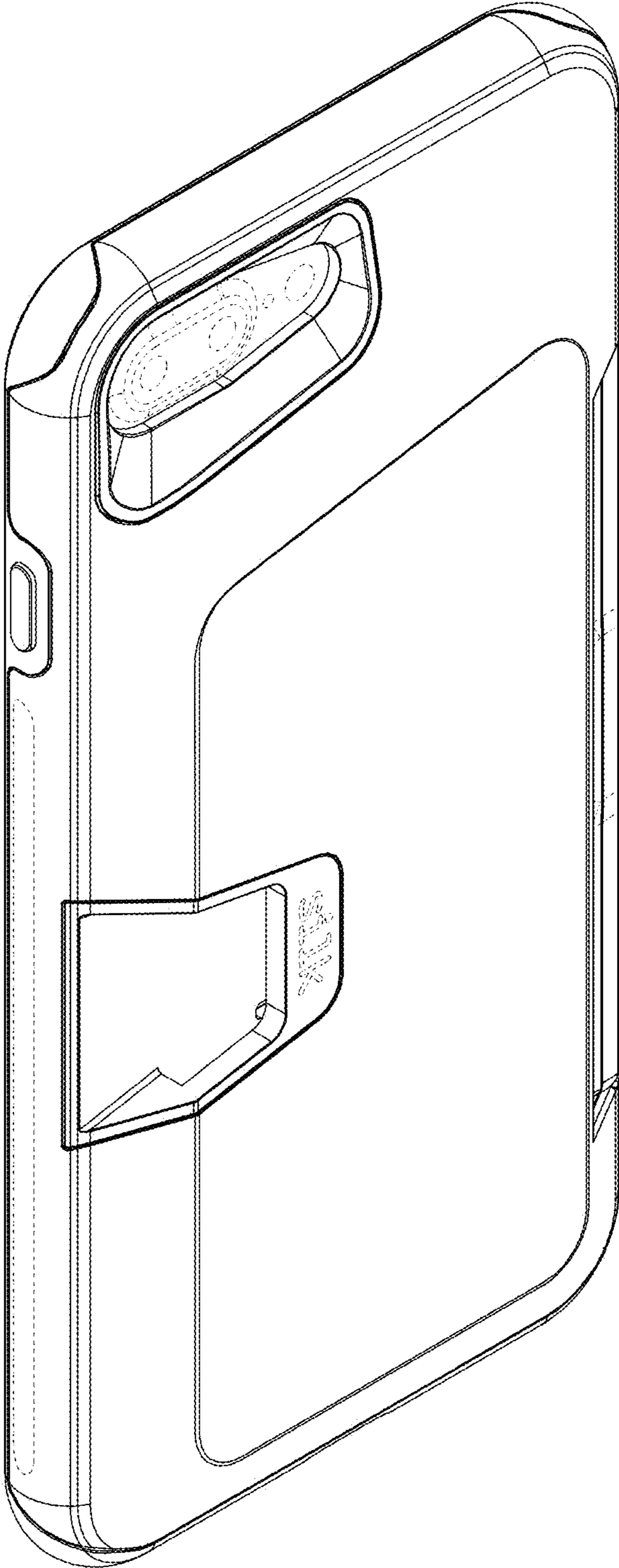


FIG. 6

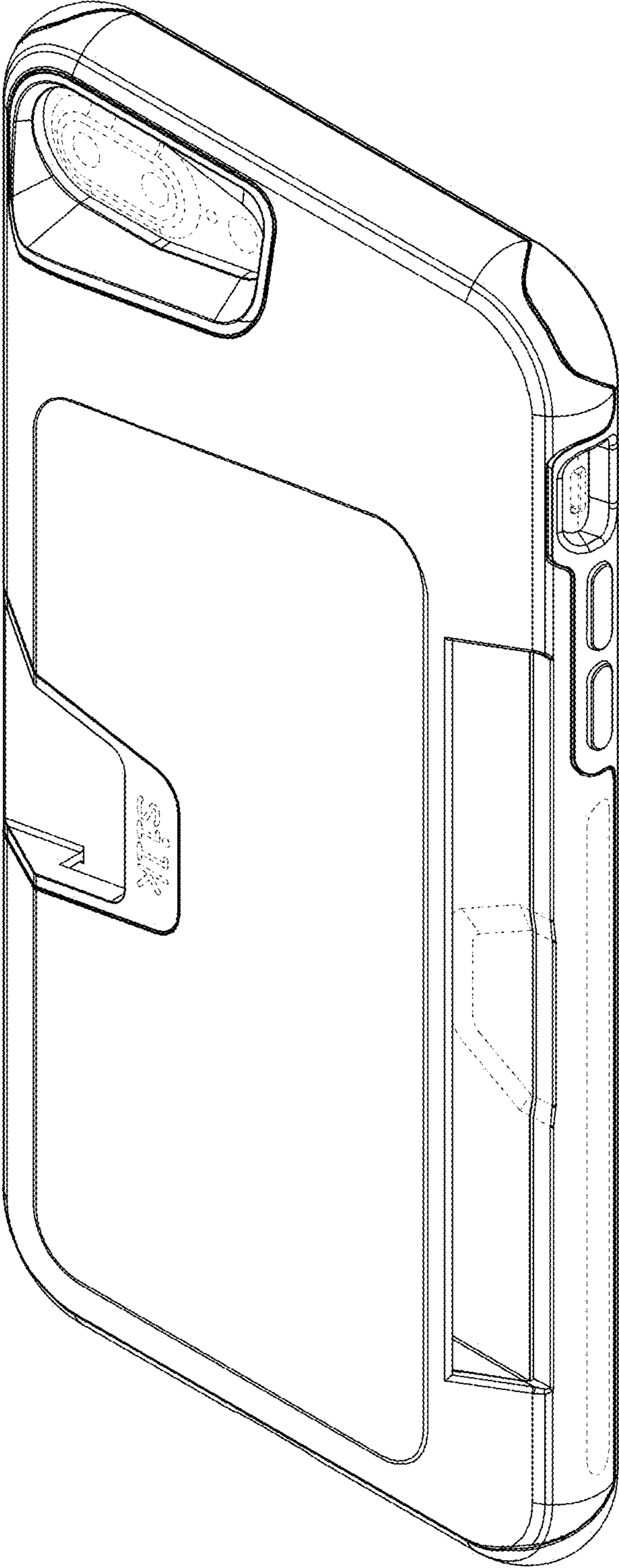


FIG. 7

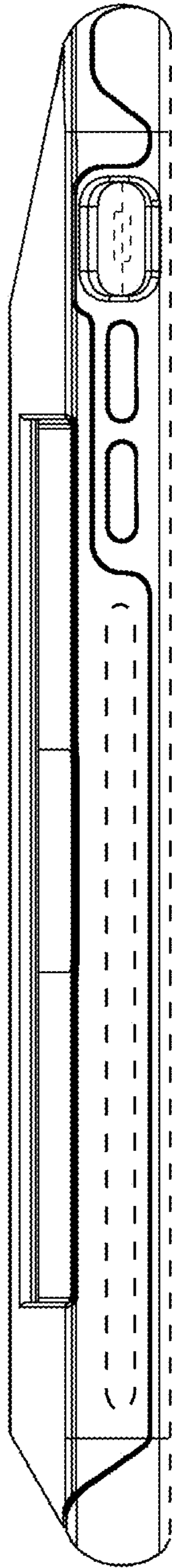


FIG. 8

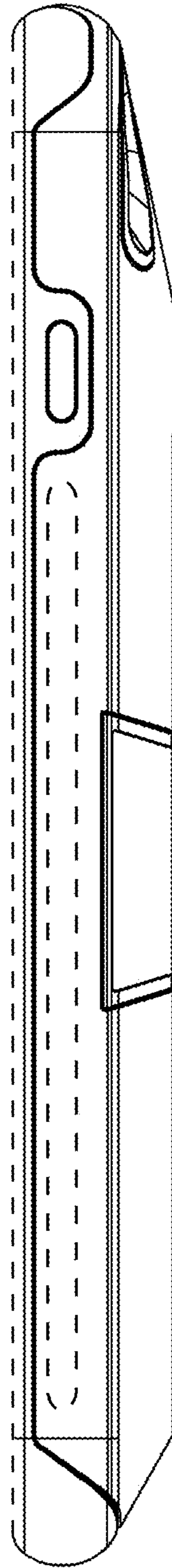


FIG. 9

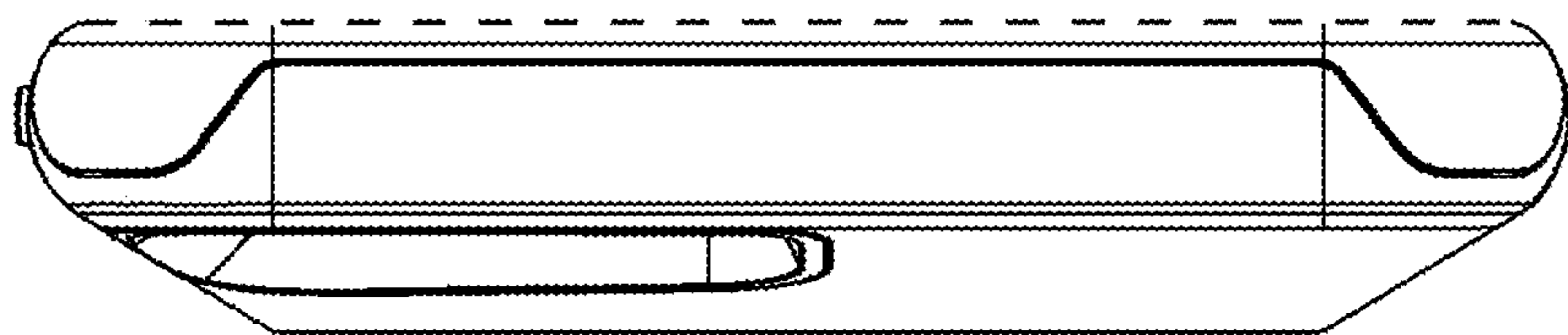
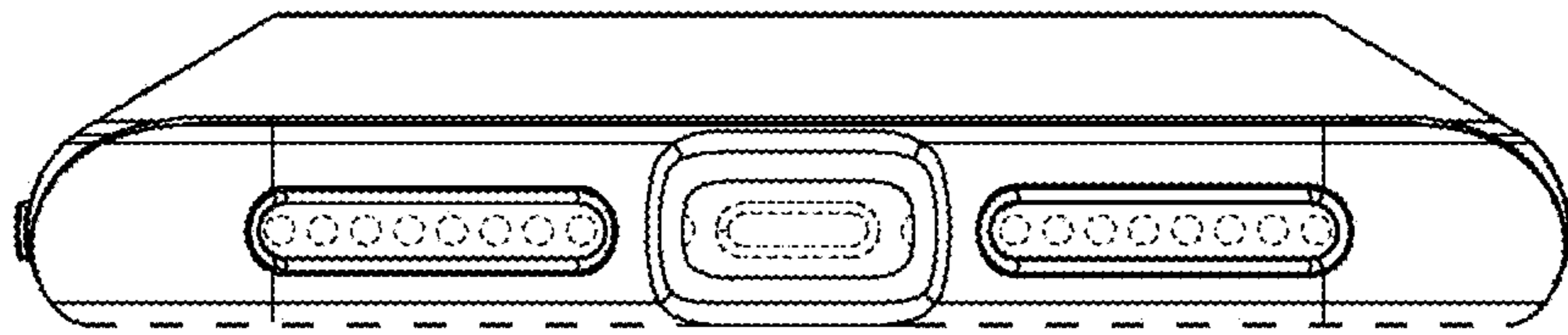


FIG. 10