



US00D879757S

(12) **United States Design Patent**  
**Altschul et al.**

(10) **Patent No.:** **US D879,757 S**  
(45) **Date of Patent:** **\*\* \*Mar. 31, 2020**

(54) **POCKET CASE FOR MOBILE COMMUNICATIONS DEVICE COMBINED WITH CARRYING COMPARTMENT FOR CREDIT CARD SIZED ITEMS**

(71) Applicants: **Matthew Altschul**, Austin, TX (US);  
**Michael J. Martin**, Portland, OR (US);  
**Beejan Soheili**, Chula Vista, CA (US)

(72) Inventors: **Matthew Altschul**, Austin, TX (US);  
**Michael J. Martin**, Portland, OR (US);  
**Beejan Soheili**, Chula Vista, CA (US)

(73) Assignee: **CATALYST MEDIUM FOUR, INC.**,  
Austin, TX (US)

(\*) Notice: This patent is subject to a terminal disclaimer.

(\*\*) Term: **15 Years**

(21) Appl. No.: **29/574,844**

(22) Filed: **Aug. 18, 2016**

(51) **LOC (12) Cl.** ..... **14-03**

(52) **U.S. Cl.**  
USPC ..... **D14/250**

(58) **Field of Classification Search**  
USPC ..... D14/439, 203.3-203.7, 447, 238.1,  
D14/251-253, 217, 240, 250, 440, 248;  
D3/201, 218, 247, 269, 273, 301, 303;  
D13/107-108, 103, 119  
CPC ..... H04B 1/3888; H04M 1/0283; H04M  
1/0202; A45C 1/06; A45C 11/00; A45C  
(Continued)

(56) **References Cited**

**U.S. PATENT DOCUMENTS**

D615,078 S \* 5/2010 Bradley ..... D14/250  
D624,064 S \* 9/2010 Esposito ..... D14/250  
D653,656 S \* 2/2012 Charnas ..... D14/250  
(Continued)

**OTHER PUBLICATIONS**

Mac Sources Silk Wallet Slayer vol. 2 Card Case for iPhone 7 Review by Robyn, published on Mar. 9, 2018, URL:, retrieved from internet on Sep. 28, 2018.\*

*Primary Examiner* — Carla J Wright

(74) *Attorney, Agent, or Firm* — Scheinberg & Associates, PC; Jonh B. Kelly; Michael O. Scheinberg

(57) **CLAIM**

The ornamental design for a pocket case for mobile communications device combined with carrying compartment for credit card sized items, as shown and described.

**DESCRIPTION**

FIG. 1 is a back elevation view of a pocket case for mobile communications device combined with carrying compartment for credit card sized items according to the present design.

FIG. 2 is a front elevation view thereof.

FIG. 3 is a back, left-side, and bottom perspective view thereof.

FIG. 4 is a back, right-side, and bottom perspective view thereof.

FIG. 5 is a back, right-side, and top perspective view thereof.

FIG. 6 is a back, left-side, and top perspective view thereof.

FIG. 7 is a left-side elevation view thereof.

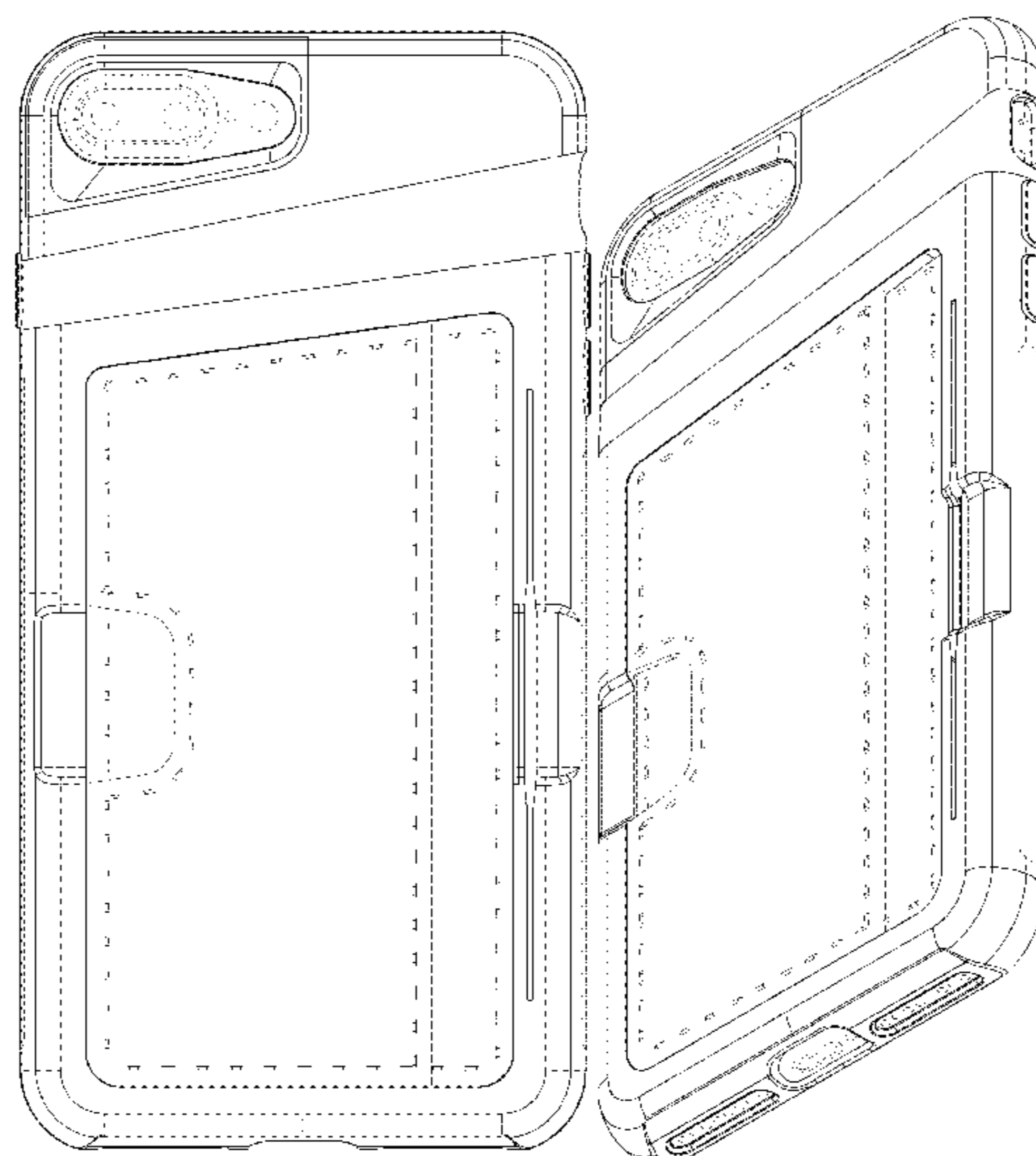
FIG. 8 is a right-side elevation view thereof.

FIG. 9 is a bottom plan view thereof; and,

FIG. 10 is a top plan view thereof.

The double broken lines shown on the rear compartment in FIGS. 1 and 3-6 depict stitching, which is part of the claimed design. All other broken lines throughout the drawing figures depict an environmental mobile communications device within the pocket case and portions of the pocket case that form no part of the claimed design.

**1 Claim, 8 Drawing Sheets**



(58) **Field of Classification Search**

CPC ..... 13/02; A45C 2011/002; A45F 2005/026;  
A45F 2200/0525; A45F 2200/0516

See application file for complete search history.

(56) **References Cited**

U.S. PATENT DOCUMENTS

D678,871 S \* 3/2013 Mishan ..... D14/250  
D679,684 S \* 4/2013 Baker ..... D14/250  
D688,654 S \* 8/2013 Stevinson ..... D14/250  
D688,655 S \* 8/2013 Rey-Hipolito ..... D14/250  
D703,651 S \* 4/2014 Ehrlich ..... D14/250  
D705,764 S \* 5/2014 Thoni ..... D14/250  
D712,890 S \* 9/2014 McCormac ..... D14/250  
D719,143 S \* 12/2014 Vidovic ..... D14/250  
D721,689 S \* 1/2015 Altschul ..... H04B 1/3888  
D14/250  
D759,966 S \* 6/2016 Pignotti ..... D3/247  
D765,069 S \* 8/2016 Jeffrey ..... D14/250  
D772,212 S \* 11/2016 Daniel ..... D14/250  
D776,101 S \* 1/2017 Poon ..... D14/250  
D776,646 S \* 1/2017 Deng ..... D14/250  
D816,653 S \* 5/2018 Yu ..... D14/250  
D824,892 S \* 8/2018 Altschul ..... D14/250  
D830,352 S \* 10/2018 Chung ..... D14/250  
D831,630 S \* 10/2018 Altschul ..... D14/250  
D836,096 S \* 12/2018 Altschul ..... D14/250  
D836,620 S \* 12/2018 Ehrlich ..... D14/250  
2013/0095898 A1 \* 4/2013 Altschul ..... H04M 1/0283  
455/575.8  
2015/0027802 A1 \* 1/2015 Altschul ..... A45C 11/00  
181/177

\* cited by examiner

FIG. 1

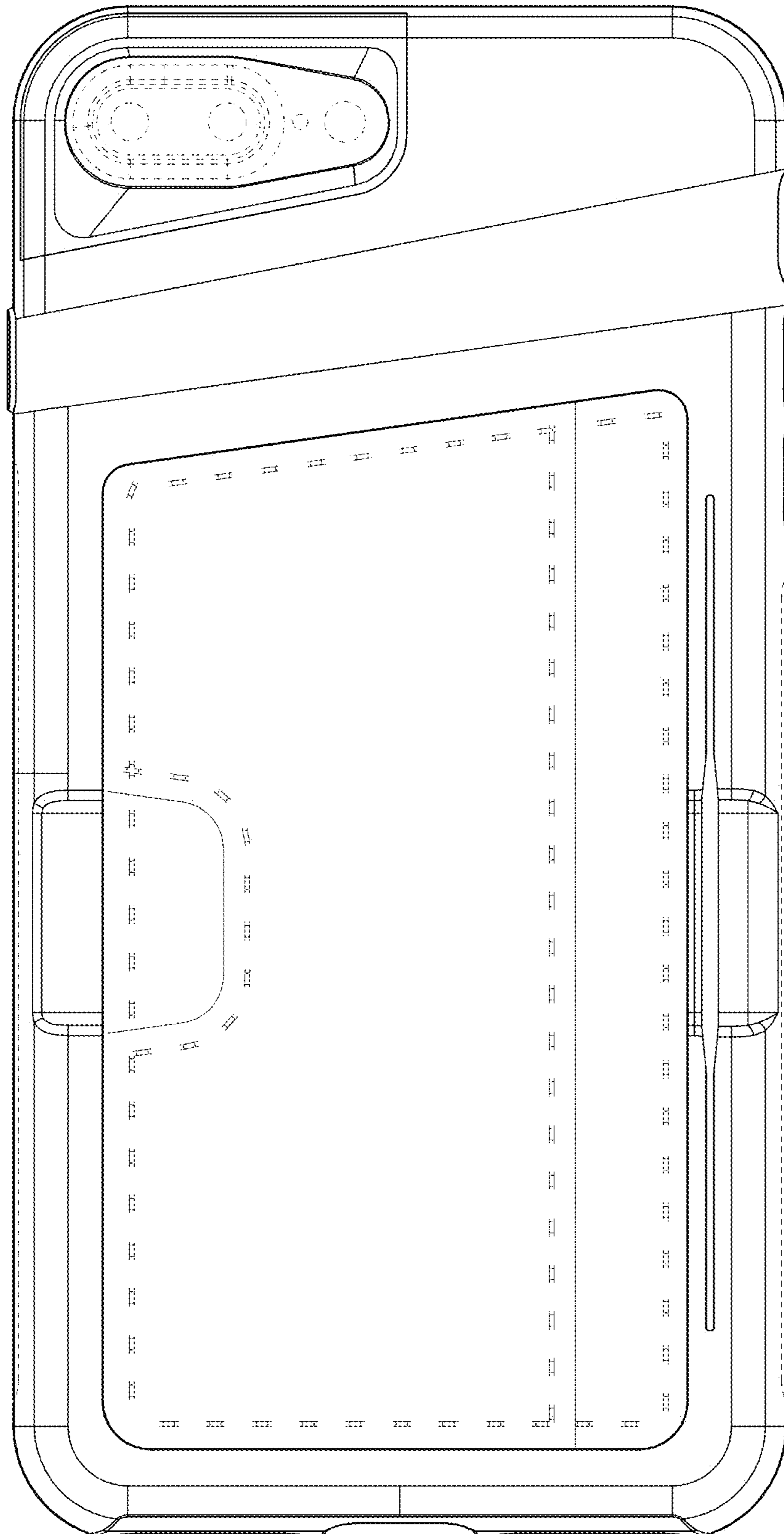


FIG. 2

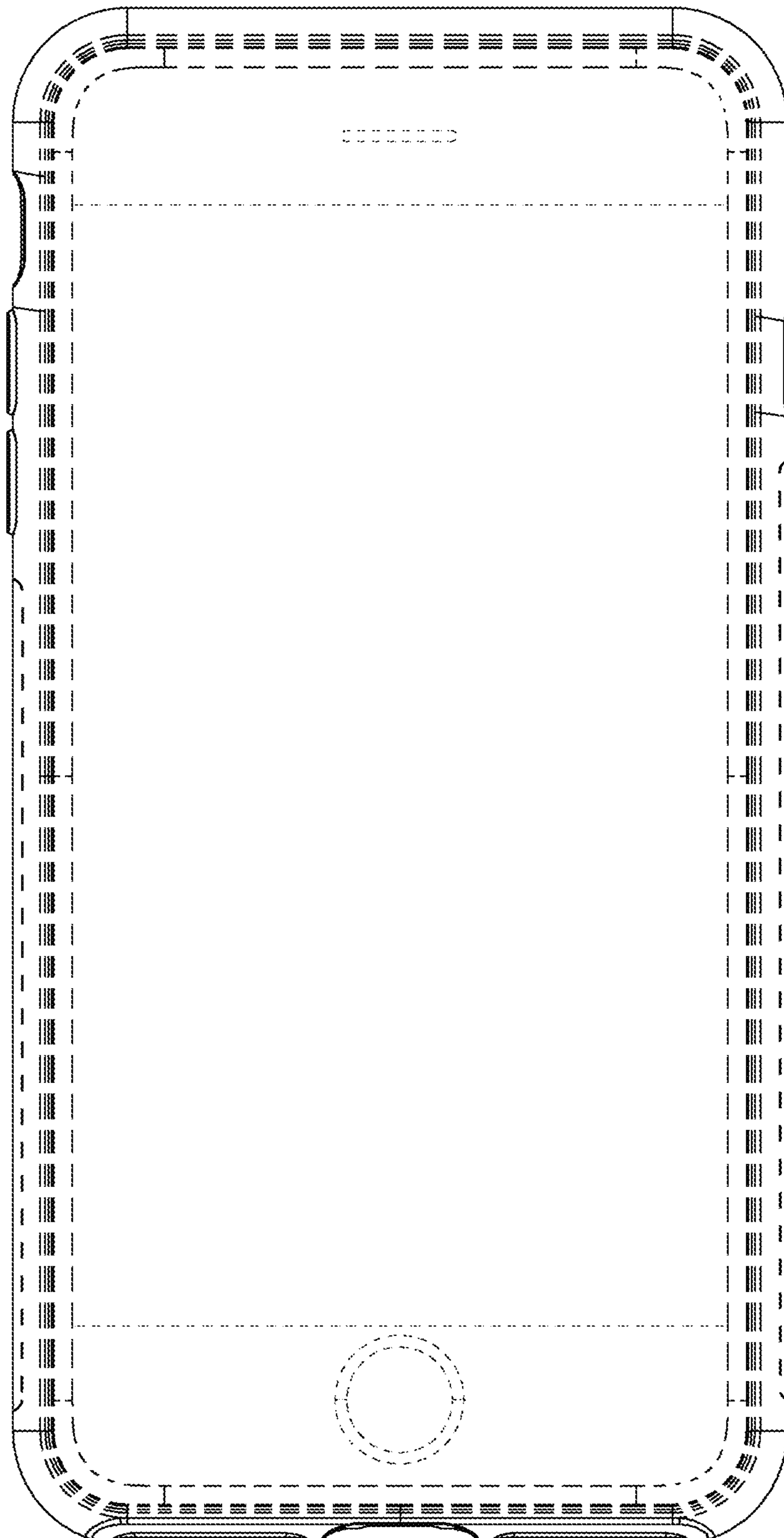


FIG. 3

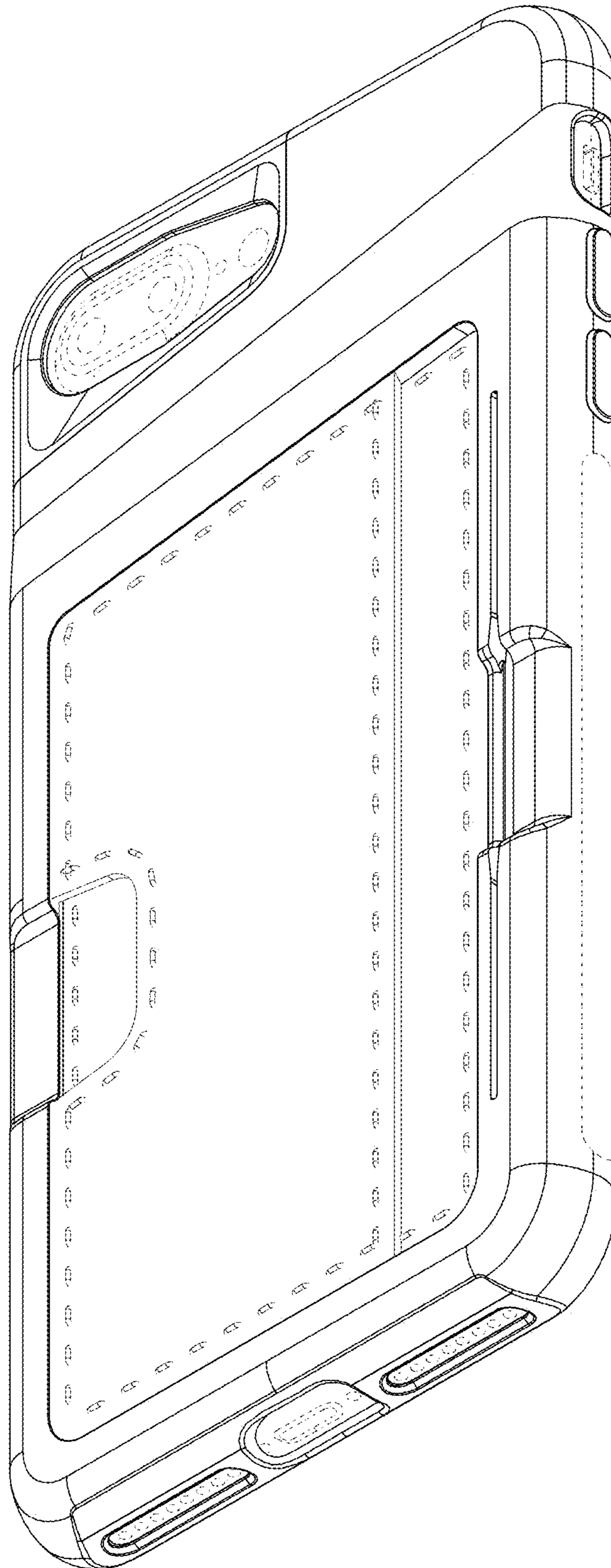


FIG. 4

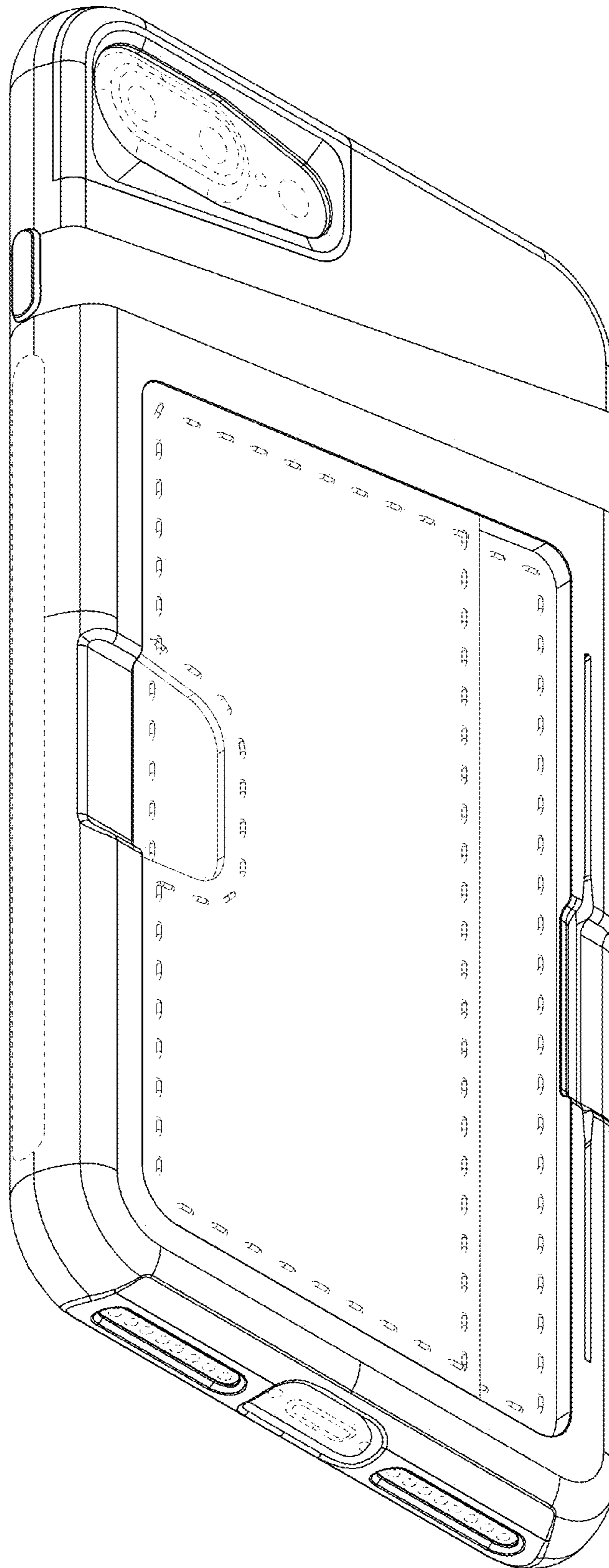


FIG. 5

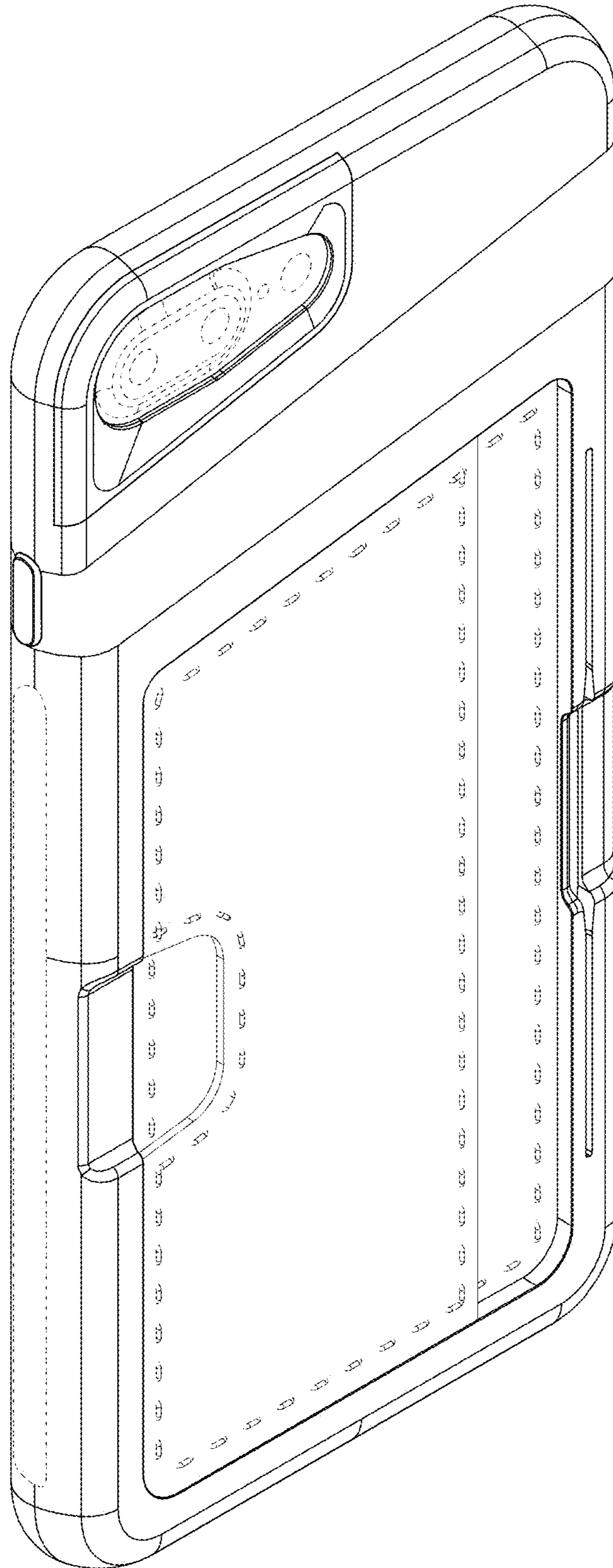
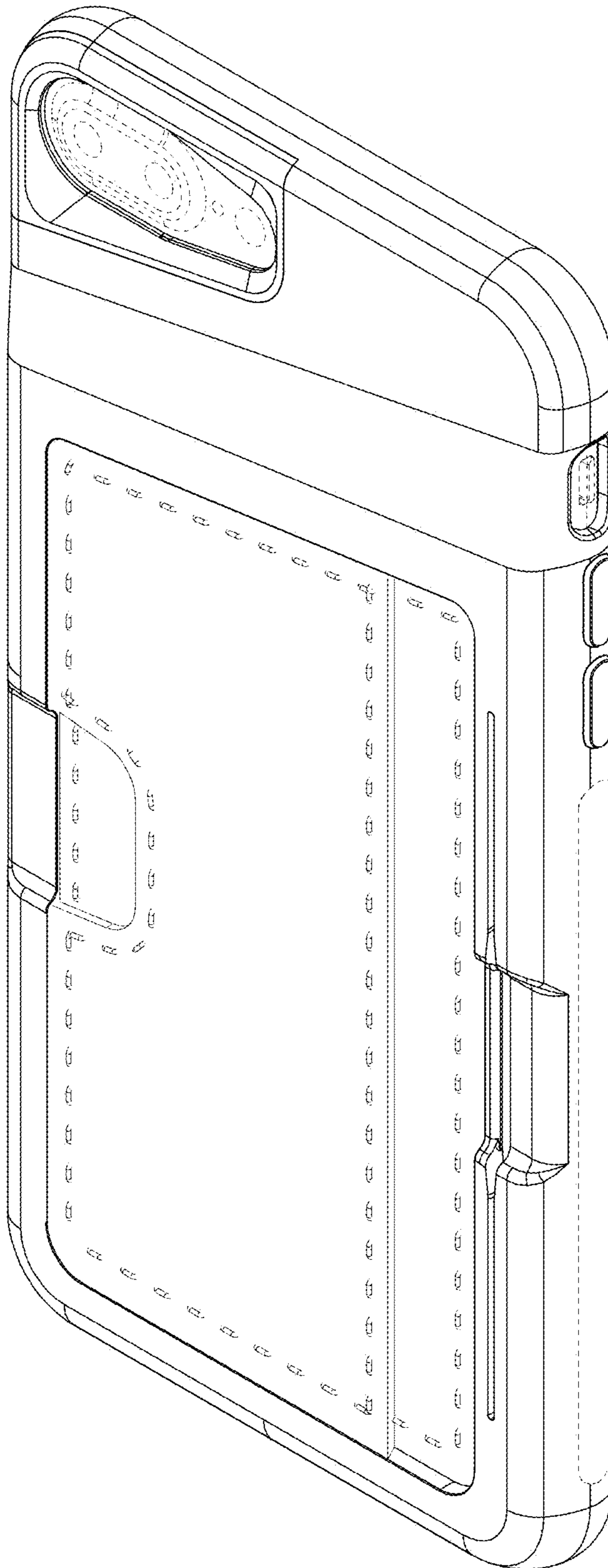


FIG. 6





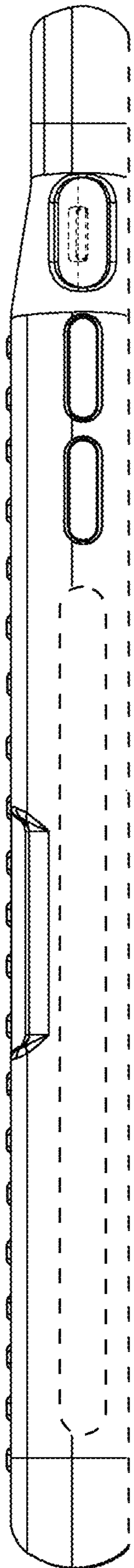


FIG. 7

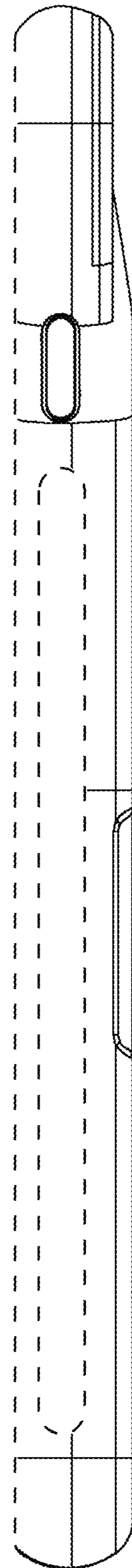


FIG. 8

FIG. 9

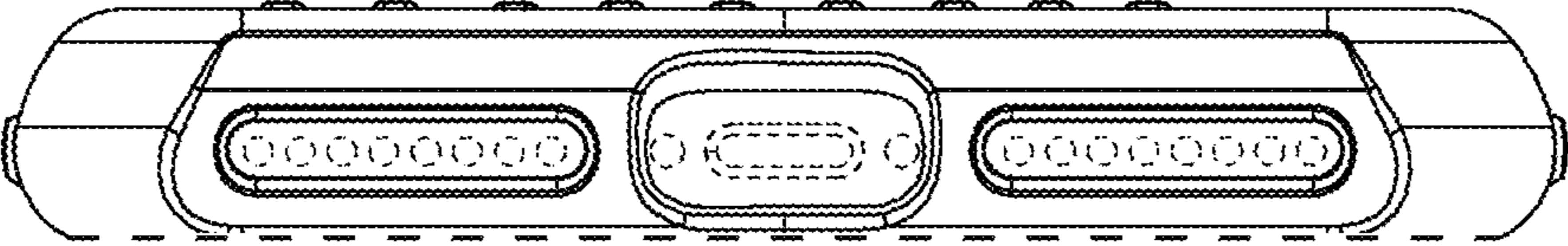


FIG. 10

