



US00D879753S

(12) **United States Design Patent**
Boggs et al.

(10) **Patent No.:** **US D879,753 S**
(45) **Date of Patent:** **** Mar. 31, 2020**

(54) **MOBILE DEVICE SIGNAL BOOSTER**

(71) Applicant: **Wilson Electronics, LLC**, St. George, UT (US)

(72) Inventors: **Joshua Boggs**, Aledo, TX (US); **Scot Herbst**, Santa Cruz, CA (US)

(73) Assignee: **Wilson Electronics, LLC**, St. George, UT (US)

(**) Term: **15 Years**

(21) Appl. No.: **29/625,654**

(22) Filed: **Nov. 10, 2017**

(51) **LOC (12) Cl.** **14-03**

(52) **U.S. Cl.**

USPC **D14/240**; D14/253; D14/230; D13/108

(58) **Field of Classification Search**

USPC D14/230–238, 138, 172, 188, 203.1, D14/203.3, 203.6, 204, 216, 221, 238.1, D14/240, 242, 299, 314, 343, 356, 358, D14/496, 509, 250–254; D13/107, 108; D12/42, 43, 415

CPC H01Q 1/007; H01Q 1/084; H01Q 1/12; H01Q 1/22; H01Q 1/38; H01Q 1/42; H01Q 7/00; H01Q 9/40; H01Q 9/285; H01Q 9/065; H01Q 9/44; H01Q 9/265; H01Q 19/10; H01Q 19/106; H01Q 19/12; H01Q 19/13; H01Q 19/15; H01Q 19/30; H01Q 21/28; H01Q 21/06; H01Q 21/062; H01Q 21/293; H01Q 23/00; H01Q 1/32; H01Q 1/3275; G05D 1/02; G05D 1/0234

See application file for complete search history.

(56) **References Cited**

U.S. PATENT DOCUMENTS

D390,849 S * 2/1998 Richter D14/253
D411,542 S * 6/1999 Richter D14/253
D417,224 S * 11/1999 Kfoury D14/253

D431,250 S * 9/2000 Richter D14/447
D456,024 S * 4/2002 Richter D14/434
D529,905 S * 10/2006 Richter D14/253
D606,065 S * 12/2009 Rihu D14/253
D626,953 S * 11/2010 Wilson D14/252
D667,003 S * 9/2012 Richter D14/253
D676,371 S * 2/2013 Son D12/415
D685,379 S * 7/2013 Richter D14/253

(Continued)

OTHER PUBLICATIONS

“weBoost Drive Sleek 4G: Everything You Need to Know,” weBoost Drive Sleek 4G Cell Phone Booster Cradle pictured therein, YouTube online, post date Sep. 27, 2017, URL: <https://www.youtube.com/watch?v=iUplk-DmlbE>, retrieved Jun. 19, 2018.*

Primary Examiner — Jeffrey D Asch

Assistant Examiner — Rebekah A Caruso

(74) *Attorney, Agent, or Firm* — Jones Waldo Holbrook & McDonough, PC; Brent T. Winder

(57) **CLAIM**

The ornamental design for a mobile device signal booster, as shown and described.

DESCRIPTION

FIG. 1 is a front perspective view of the presently claimed design.

FIG. 2 is a front view of the presently claimed design.

FIG. 3 is a rear view of the presently claimed design.

FIG. 4 is a side view of the presently claimed design.

FIG. 5 is an opposite side view of the presently claimed design.

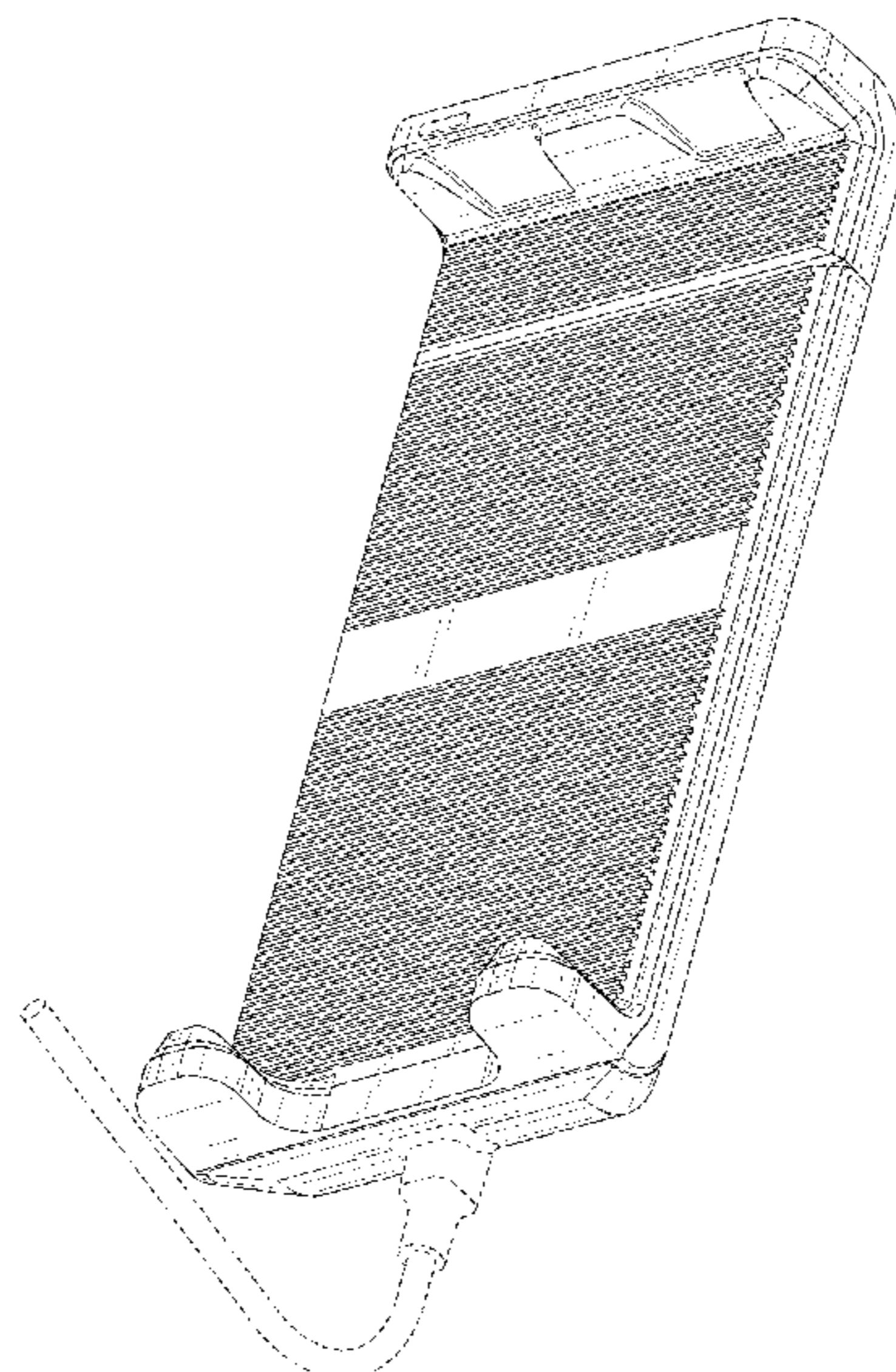
FIG. 6 is a top view of the presently claimed design.

FIG. 7 is a bottom view of the presently claimed design; and,

FIG. 8 is a rear perspective view of the presently claimed design.

The broken lines depict portions of the article that form no part of the claimed design.

1 Claim, 8 Drawing Sheets



(56)

References Cited

U.S. PATENT DOCUMENTS

D750,060 S	*	2/2016	Brassard	D14/253
D770,171 S	*	11/2016	Lai	D14/253
D772,218 S	*	11/2016	Alesi	D14/253
D784,923 S	*	4/2017	Song	D13/108
D832,248 S	*	10/2018	Sukphist	D14/253
D833,369 S	*	11/2018	Lan	D12/415
D840,994 S	*	2/2019	Balmer	D14/253

* cited by examiner

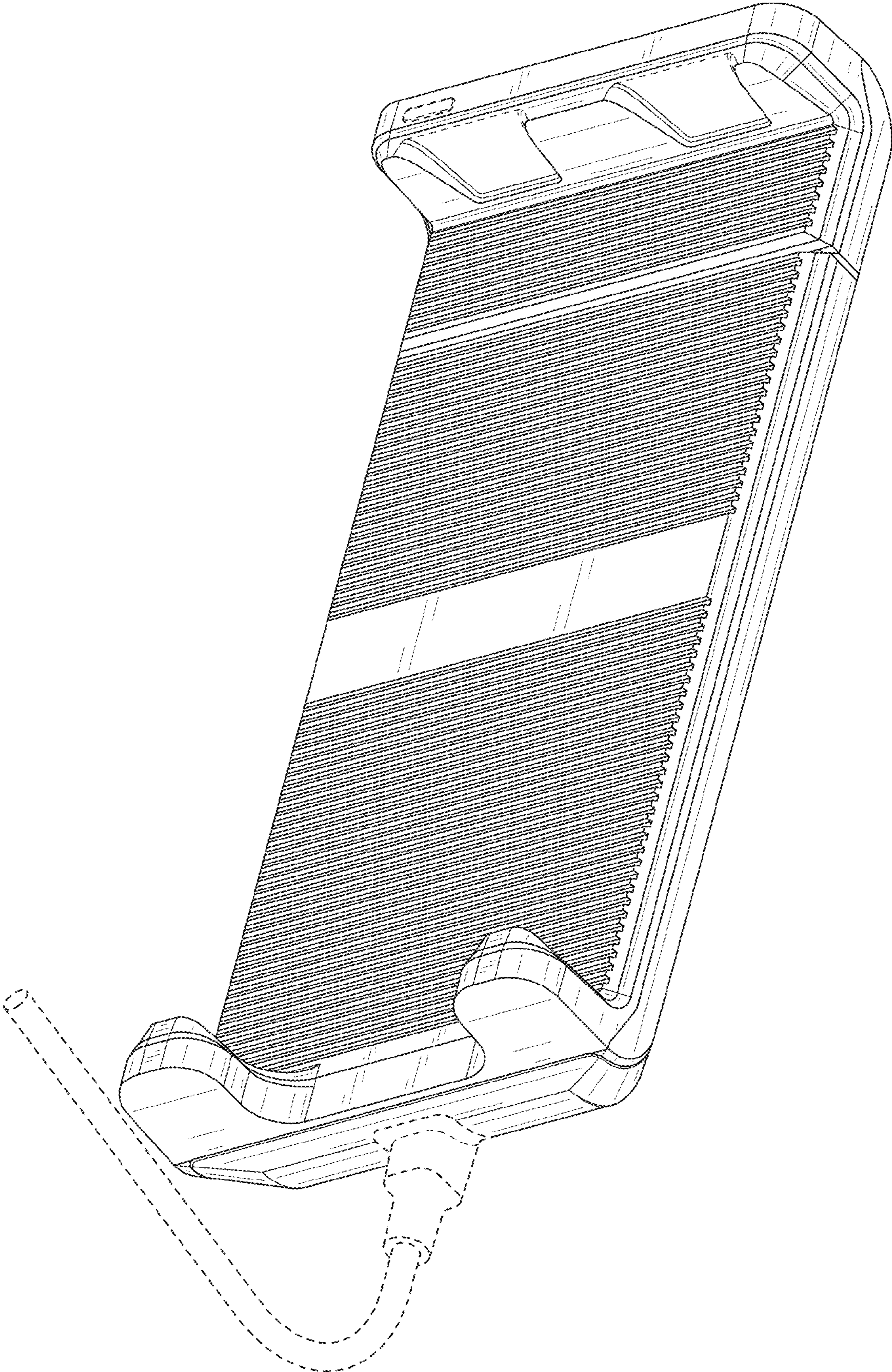


FIG. 1

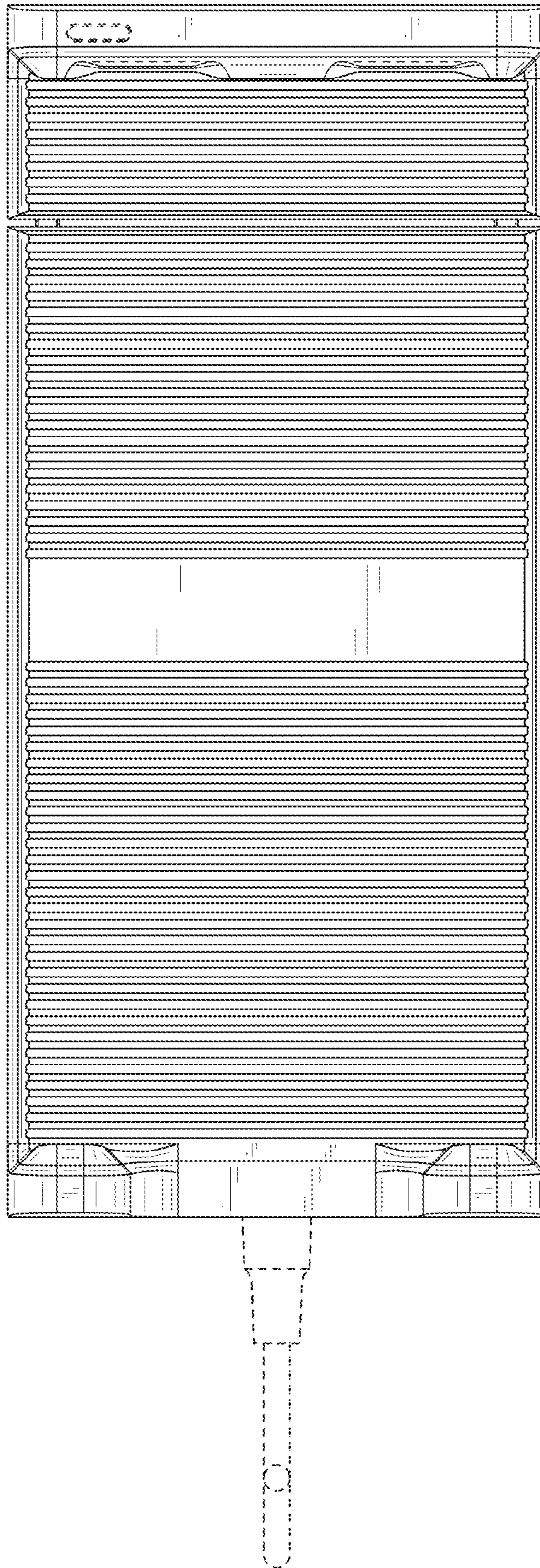


FIG. 2

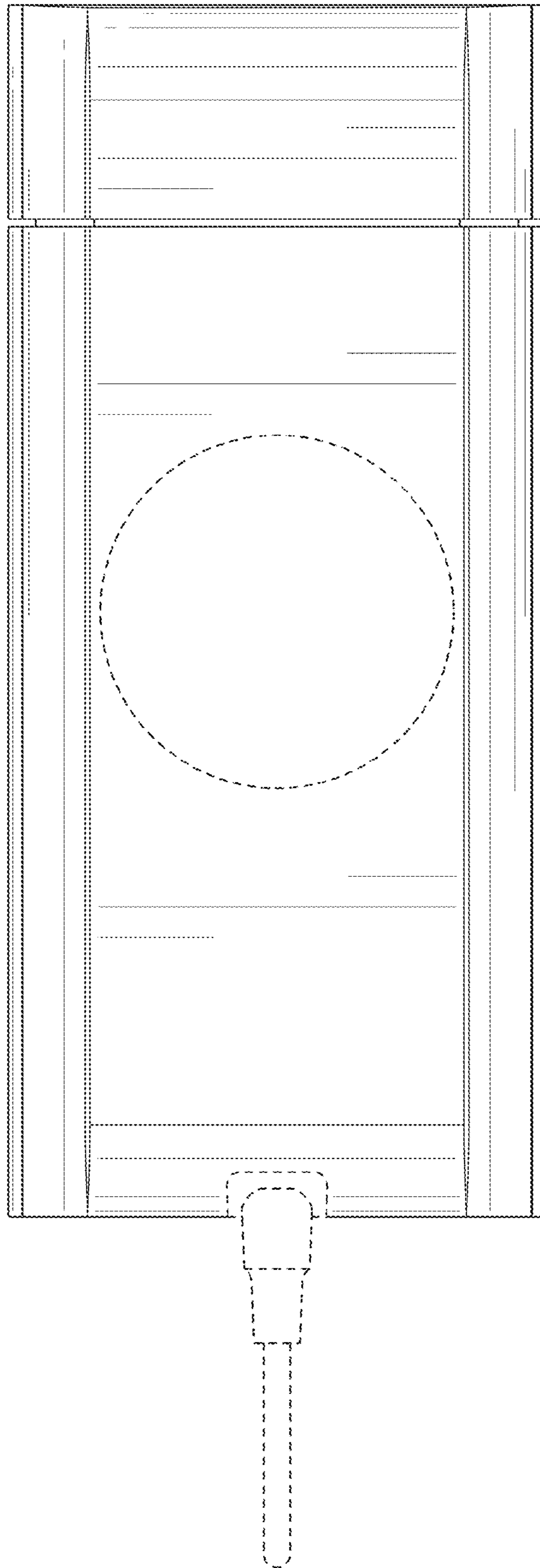


FIG. 3

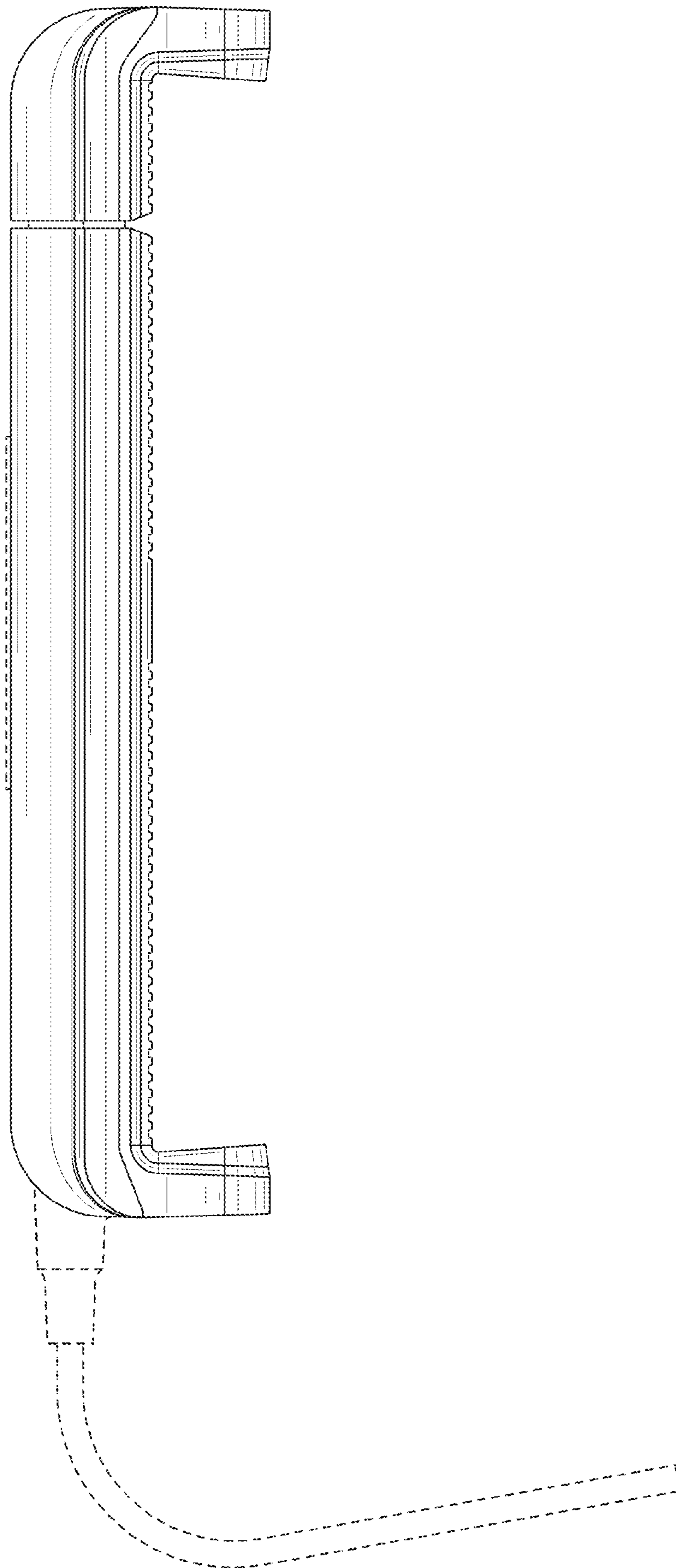


FIG. 4

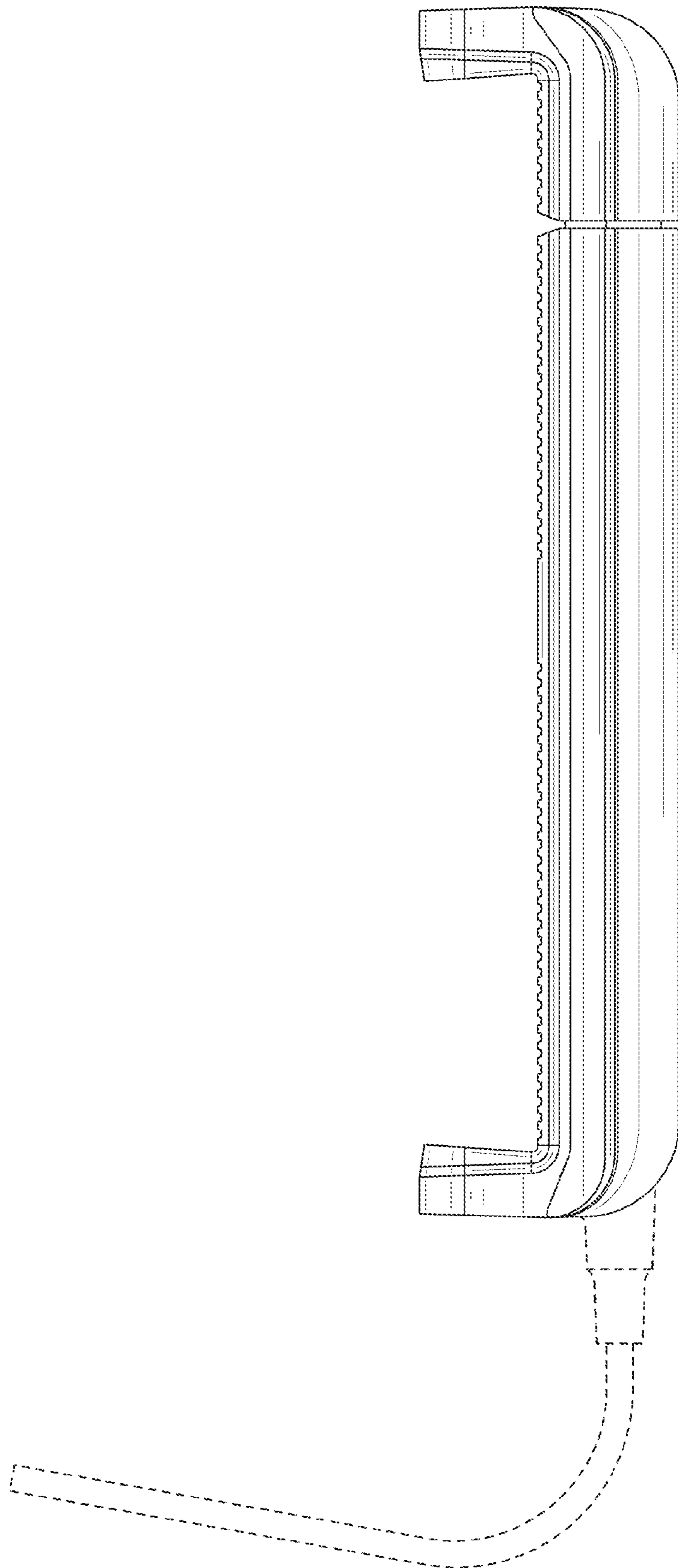


FIG. 5

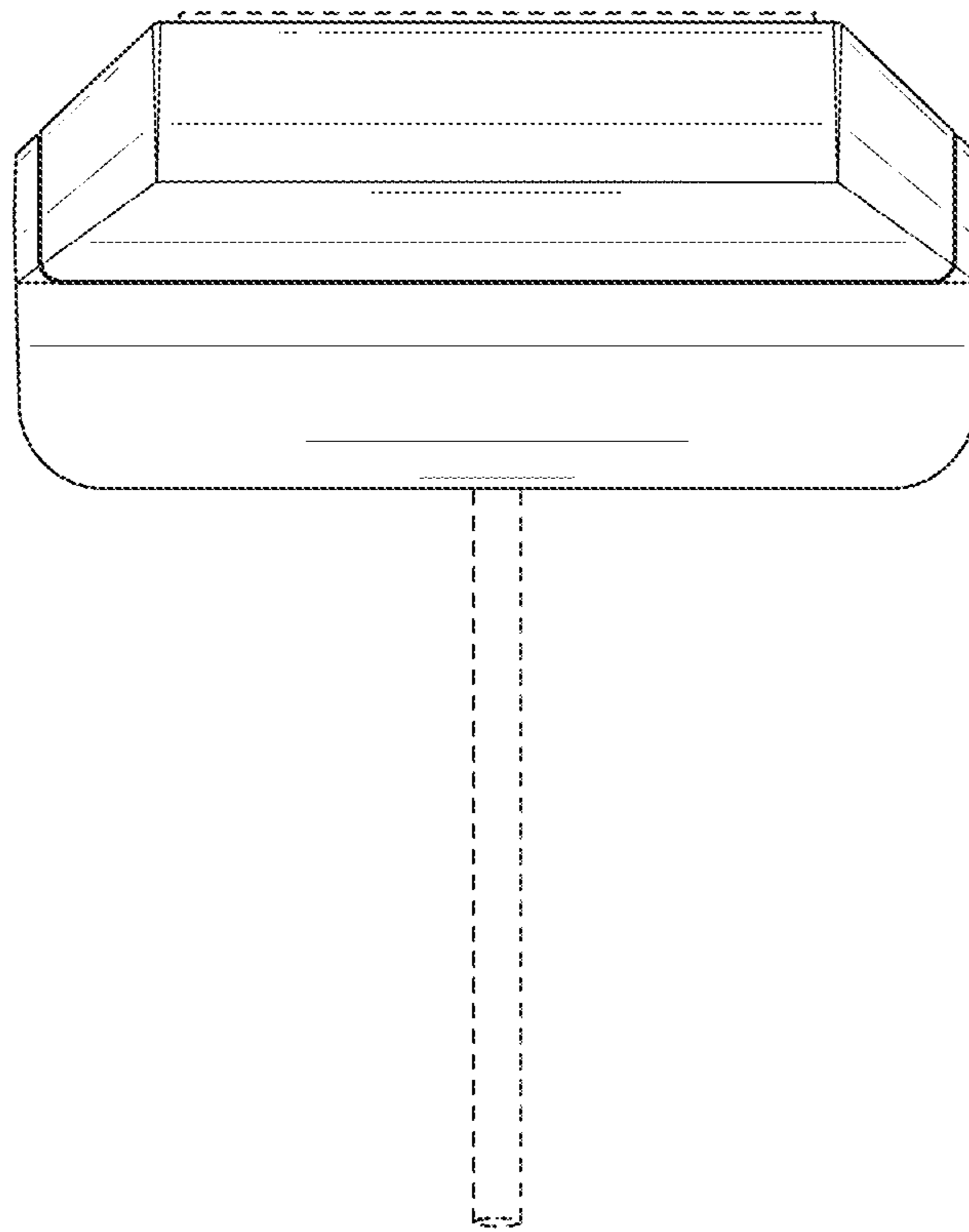


FIG. 6

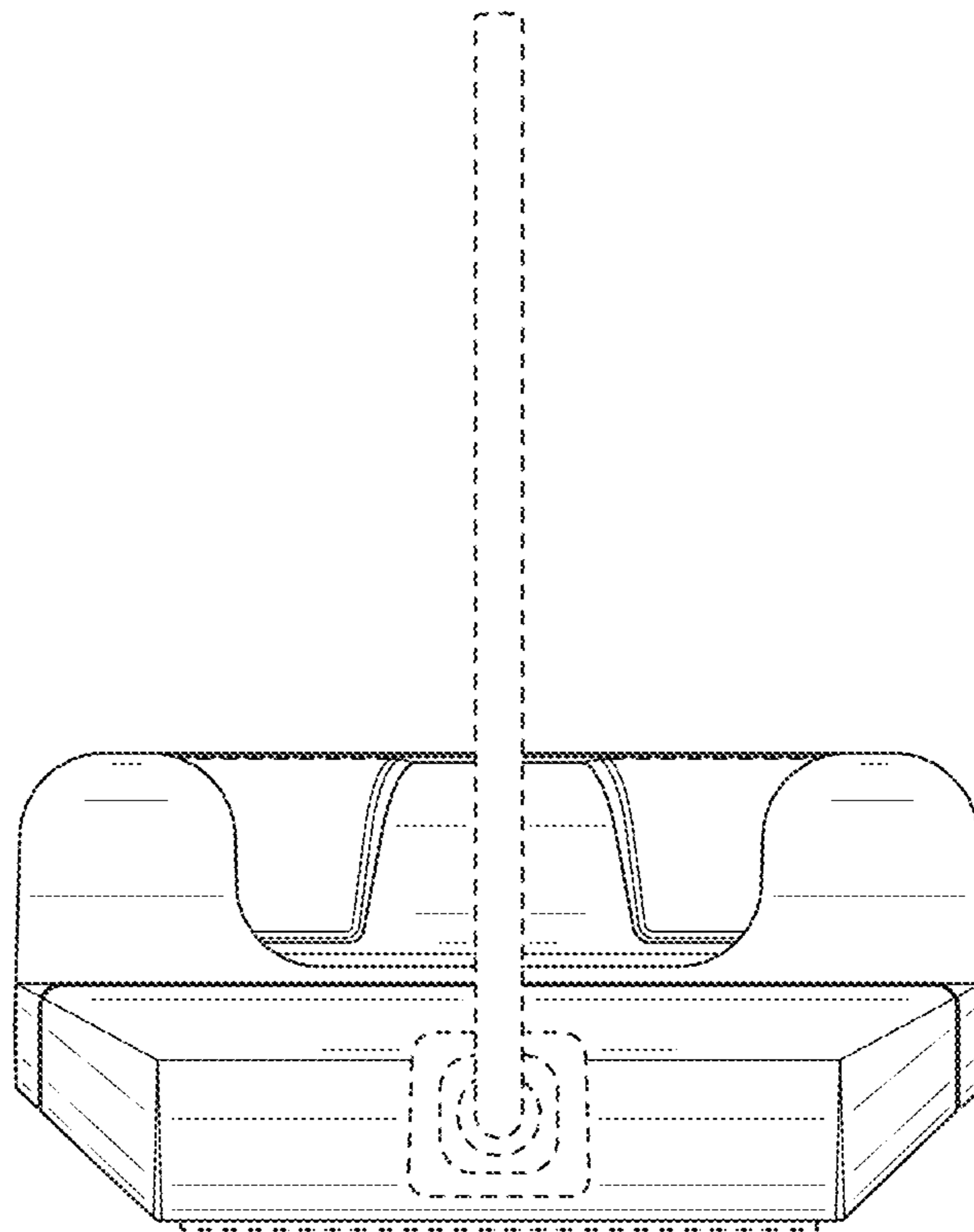


FIG. 7

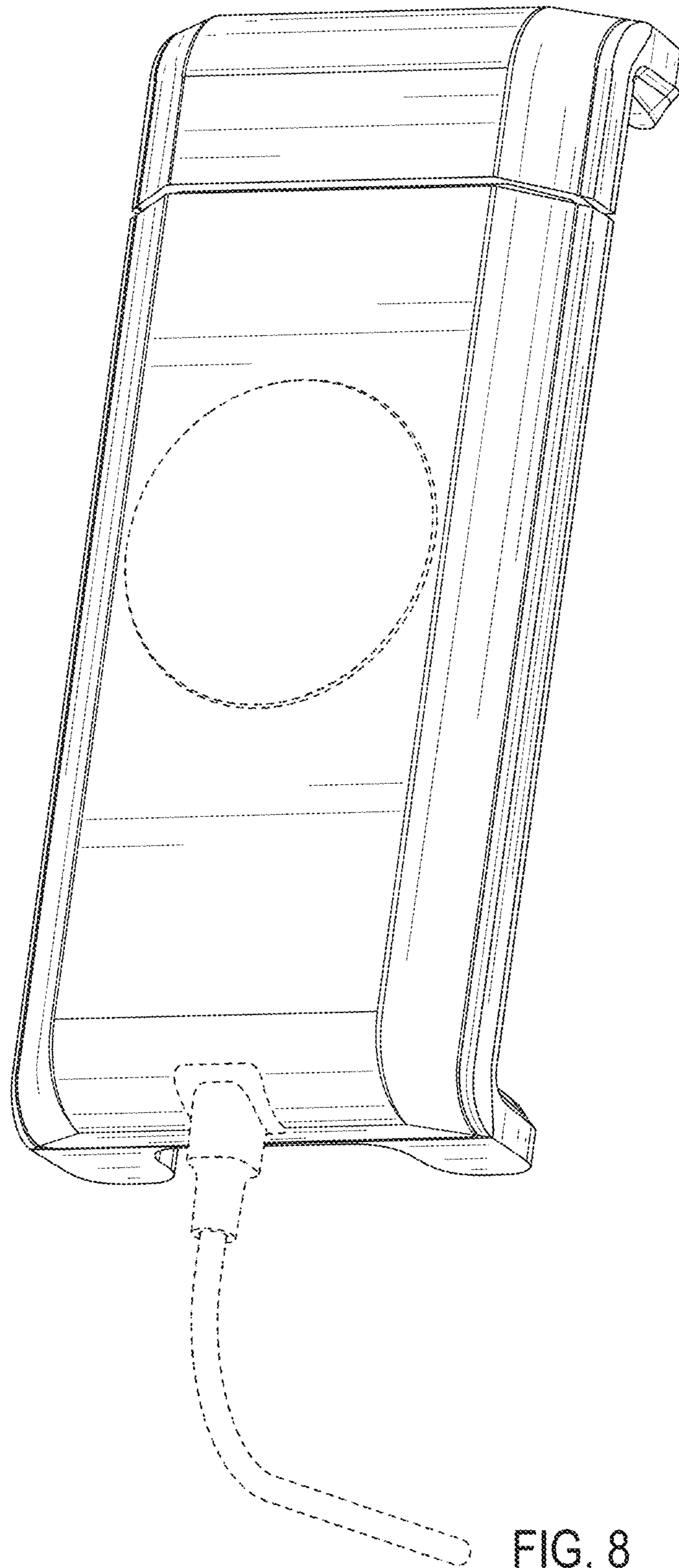


FIG. 8