



US00D879749S

(12) **United States Design Patent**
Qi

(10) **Patent No.:** **US D879,749 S**
(45) **Date of Patent:** **** Mar. 31, 2020**

- (54) **HOME SPEAKER MOUNT**
- (71) Applicant: **Haibo Qi**, Guangdong (CN)
- (72) Inventor: **Haibo Qi**, Guangdong (CN)
- (73) Assignee: **Shenzhen ZhiYuan TongTai Technology Co., Ltd.**, Shenzhen, Guangdong (CN)
- (**) Term: **15 Years**
- (21) Appl. No.: **29/668,799**
- (22) Filed: **Nov. 1, 2018**
- (51) **LOC (12) Cl.** **14-03**
- (52) **U.S. Cl.**
USPC **D14/224**
- (58) **Field of Classification Search**
USPC D14/224, 224.1, 209.1, 216, 432, 447,
D14/253, 251, 265; D13/155; D6/682.3;
248/174, 460; 181/129, 130, 135;
381/380, 381, 412, 370, 386, 395, 344;
455/90.3, 575.1, 569.1
CPC .. H01M 2/10; H05K 5/00; H05K 7/04; H04R
25/00
See application file for complete search history.

- 4,091,962 A * 5/1978 van Buren, Jr. B62D 25/24
220/323
 - D256,915 S * 9/1980 Needleman D14/224
 - 4,302,695 A * 11/1981 Boyles H04R 17/00
310/322
 - 4,429,247 A * 1/1984 Feldman H04R 17/00
310/322
 - 4,534,088 A * 8/1985 Ricke F16B 5/0664
220/787
 - D281,495 S * 11/1985 Ponticelli D14/224
 - 5,014,892 A * 5/1991 Copeland A45F 5/02
224/242
 - 5,133,428 A * 7/1992 Perrson B60R 11/0217
181/153
 - 5,139,427 A * 8/1992 Boyd H01R 12/52
439/247
 - D372,192 S * 7/1996 Pigott D8/499
- (Continued)

FOREIGN PATENT DOCUMENTS

- EM 004742195-0001 * 3/2018
- EM 004759546-0001 * 3/2018
- EM 006000501-0001 * 1/2019

Primary Examiner — Paula Allen Greene

(57) **CLAIM**

I claim the ornamental design for a home speaker mount, as shown and described.

DESCRIPTION

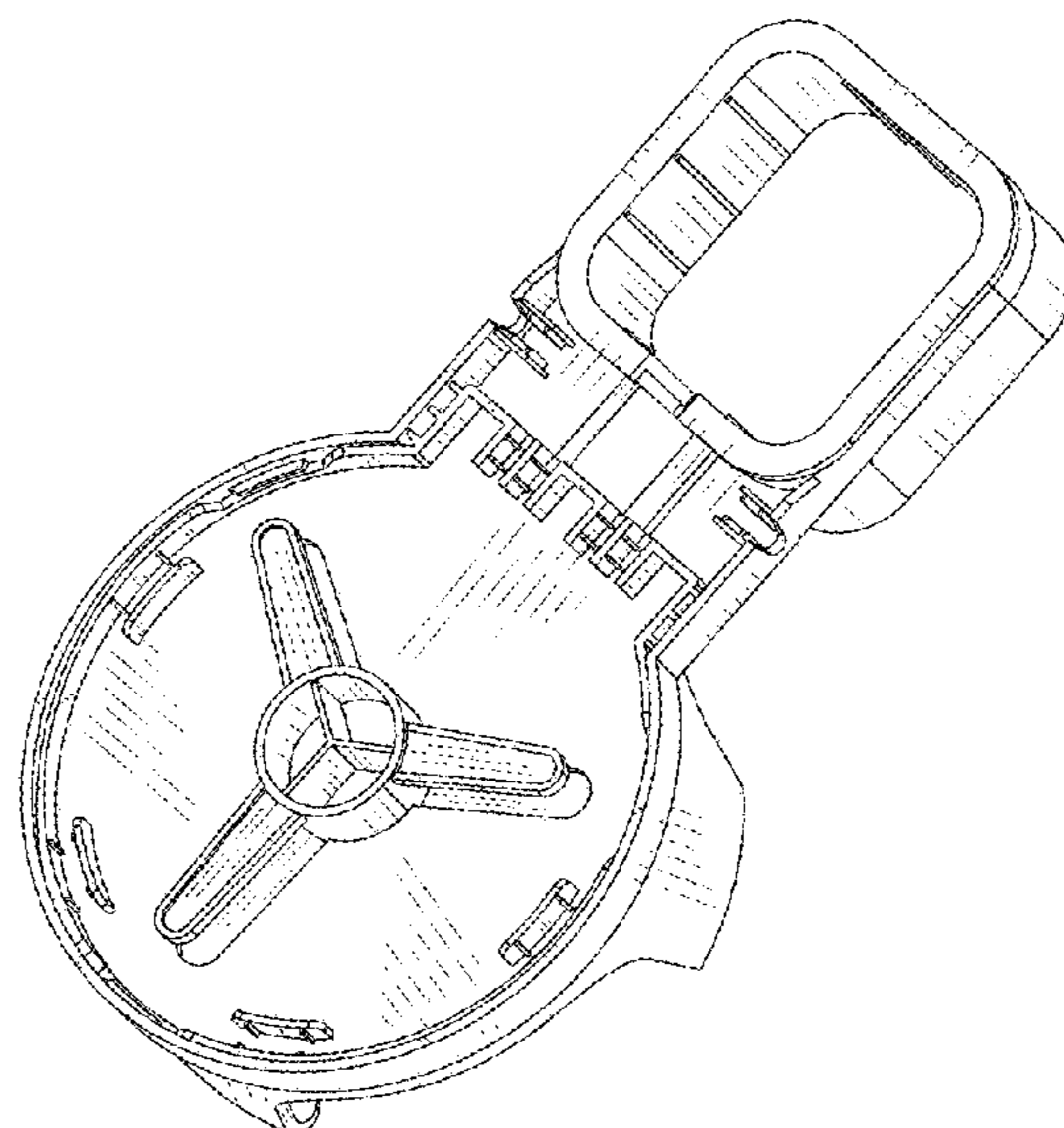
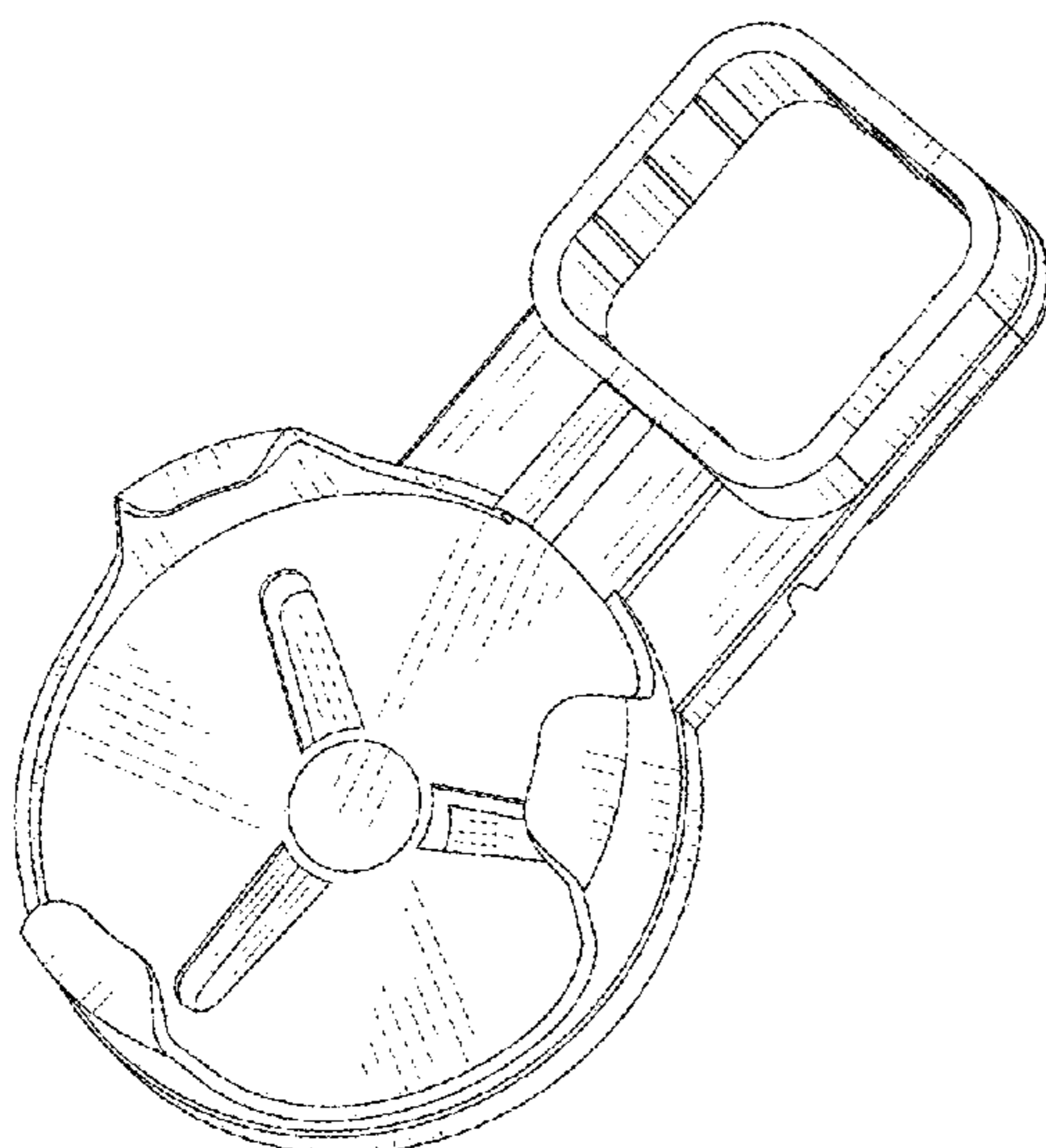
FIG. 1 is a perspective view of a home speaker mount showing my new design;
FIG. 2 is a front elevational view thereof;
FIG. 3 is a rear elevational view thereof;
FIG. 4 is a left side elevational view thereof;
FIG. 5 is a right side elevational view thereof;
FIG. 6 is a top plan view thereof;
FIG. 7 is a bottom plan view thereof; and,
FIG. 8 is another perspective view thereof.

1 Claim, 8 Drawing Sheets

(56) **References Cited**

U.S. PATENT DOCUMENTS

- 2,577,288 A * 12/1951 Terlinde H04R 1/46
84/723
- D196,051 S * 8/1963 Reed D8/373
- 3,192,894 A * 7/1965 Staver A47K 5/05
401/6
- 3,294,298 A * 12/1966 Danielson A45F 5/00
224/666
- 3,331,970 A * 7/1967 Dundon H04R 17/00
310/324
- D217,540 S * 5/1970 Weise D8/397
- 4,032,725 A * 6/1977 McGee H04R 1/025
381/395



(56)

References Cited

U.S. PATENT DOCUMENTS

5,540,367 A * 7/1996 Kauker A45F 5/02
 224/180
 D380,959 S * 7/1997 Mitchell D15/143
 5,684,883 A * 11/1997 Chen H02G 11/02
 381/370
 D394,660 S * 5/1998 Hrach, Jr. D14/224
 6,072,887 A * 6/2000 Wei H04R 11/00
 379/433.02
 6,099,334 A * 8/2000 Togashi H01R 13/703
 439/188
 D443,262 S * 6/2001 Caren D14/224
 D468,729 S * 1/2003 Takayama D14/224
 D487,733 S * 3/2004 Lucaci D14/137
 6,751,317 B2 * 6/2004 Shima H01R 13/7033
 379/438
 D493,386 S * 7/2004 Pontaoe D11/218
 D512,905 S * 12/2005 Byers D8/382
 D530,713 S * 10/2006 Richter D14/253
 D533,163 S * 12/2006 Takase D14/215
 D542,279 S * 5/2007 Chan D14/216
 D565,551 S * 4/2008 Yoshinaga D14/216
 D582,399 S * 12/2008 Venier H04R 1/025
 D14/224
 D595,650 S * 7/2009 Di Stefano D13/133
 D598,910 S * 8/2009 Bradford D14/217
 D609,636 S * 2/2010 Jensen D13/108
 D615,068 S * 5/2010 Yuasa D14/216
 D618,671 S * 6/2010 Hou D14/217
 D633,872 S * 3/2011 Shen D13/155
 D638,398 S * 5/2011 Morison D14/205
 D655,293 S * 3/2012 Gioscia D14/434
 D660,890 S * 5/2012 Ito D15/143

D662,087 S * 6/2012 Peller D14/205
 D663,292 S * 7/2012 Hoggarth D14/224
 D690,707 S * 10/2013 Minn B60R 11/0241
 D14/447
 D692,784 S * 11/2013 Anderssen D10/106.92
 D694,228 S * 11/2013 Richter D14/253
 D696,259 S * 12/2013 Howarth D14/447
 D704,199 S * 5/2014 Byun D14/447
 D709,066 S * 7/2014 Byun D14/253
 8,794,374 B2 * 8/2014 Kim H04R 7/16
 181/164
 D713,398 S * 9/2014 Alesi D14/253
 D719,961 S * 12/2014 Xiang D14/447
 D739,223 S * 9/2015 Paik D8/396
 D751,558 S * 3/2016 Lee D10/103
 D777,167 S * 1/2017 Wengreen D14/447
 D795,844 S * 8/2017 Harper D14/223
 D797,860 S * 9/2017 Ewing D14/224
 D799,492 S * 10/2017 Seiss D14/447
 D804,487 S * 12/2017 Theis D14/447
 D807,339 S * 1/2018 Lan D14/253
 D810,050 S * 2/2018 Uemoto D14/216
 D814,267 S * 4/2018 Verbowski D8/354
 D817,333 S * 5/2018 Boshernitzan D14/434
 D826,906 S * 8/2018 Lasnier De Lavalette .. D14/224
 D832,274 S * 10/2018 Wengreen D14/447
 D845,275 S * 4/2019 Adachi D14/216
 D847,114 S * 4/2019 Miyata D14/204
 D847,119 S * 4/2019 Theisen D14/209.1
 D855,590 S * 8/2019 Qi D14/224
 D858,490 S * 9/2019 Qi D14/224
 2005/0241876 A1 * 11/2005 Sperle H04R 1/025
 181/150
 2013/0322797 A1 * 12/2013 Barth F16C 17/04
 384/420

* cited by examiner

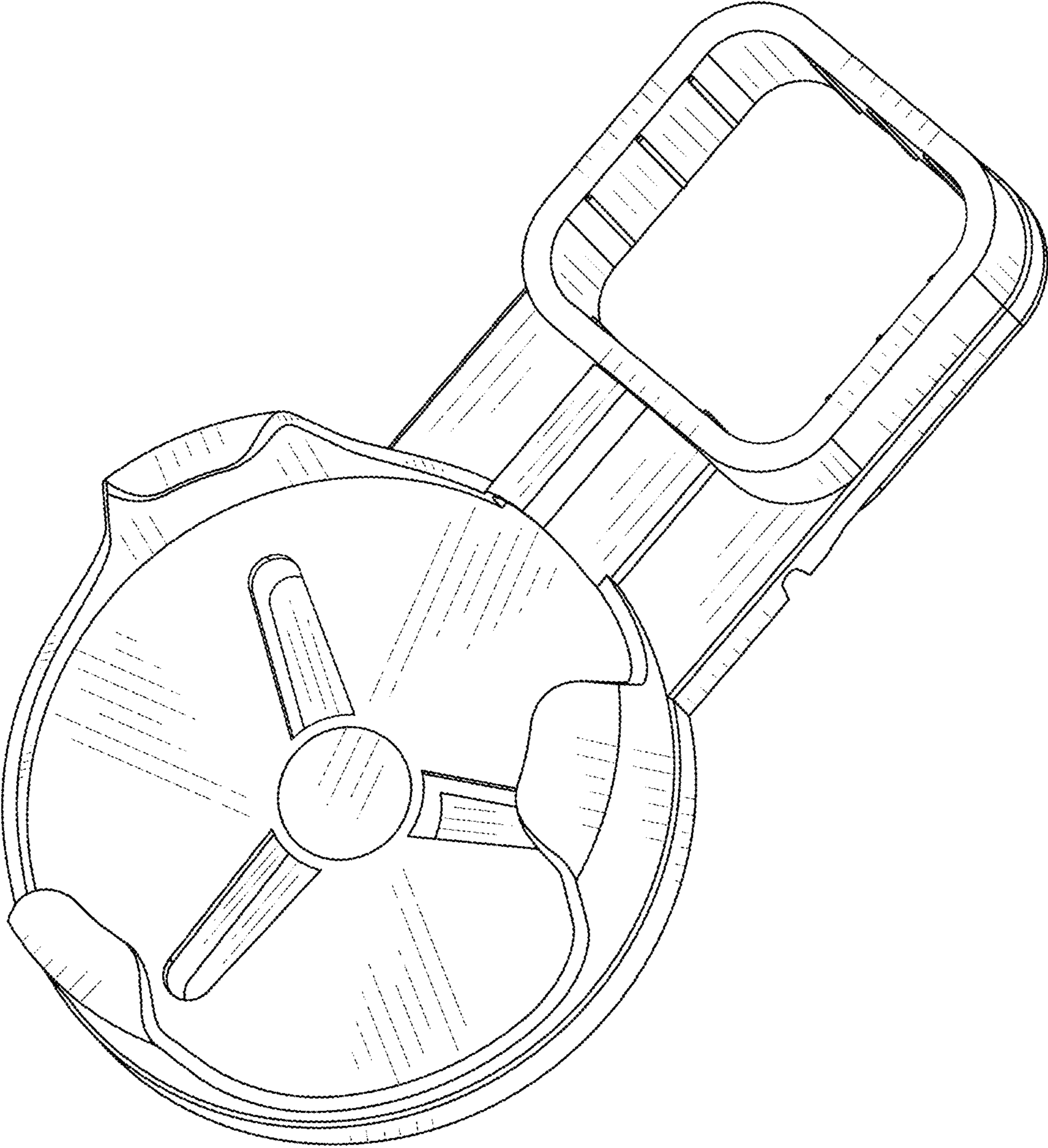


FIG.1

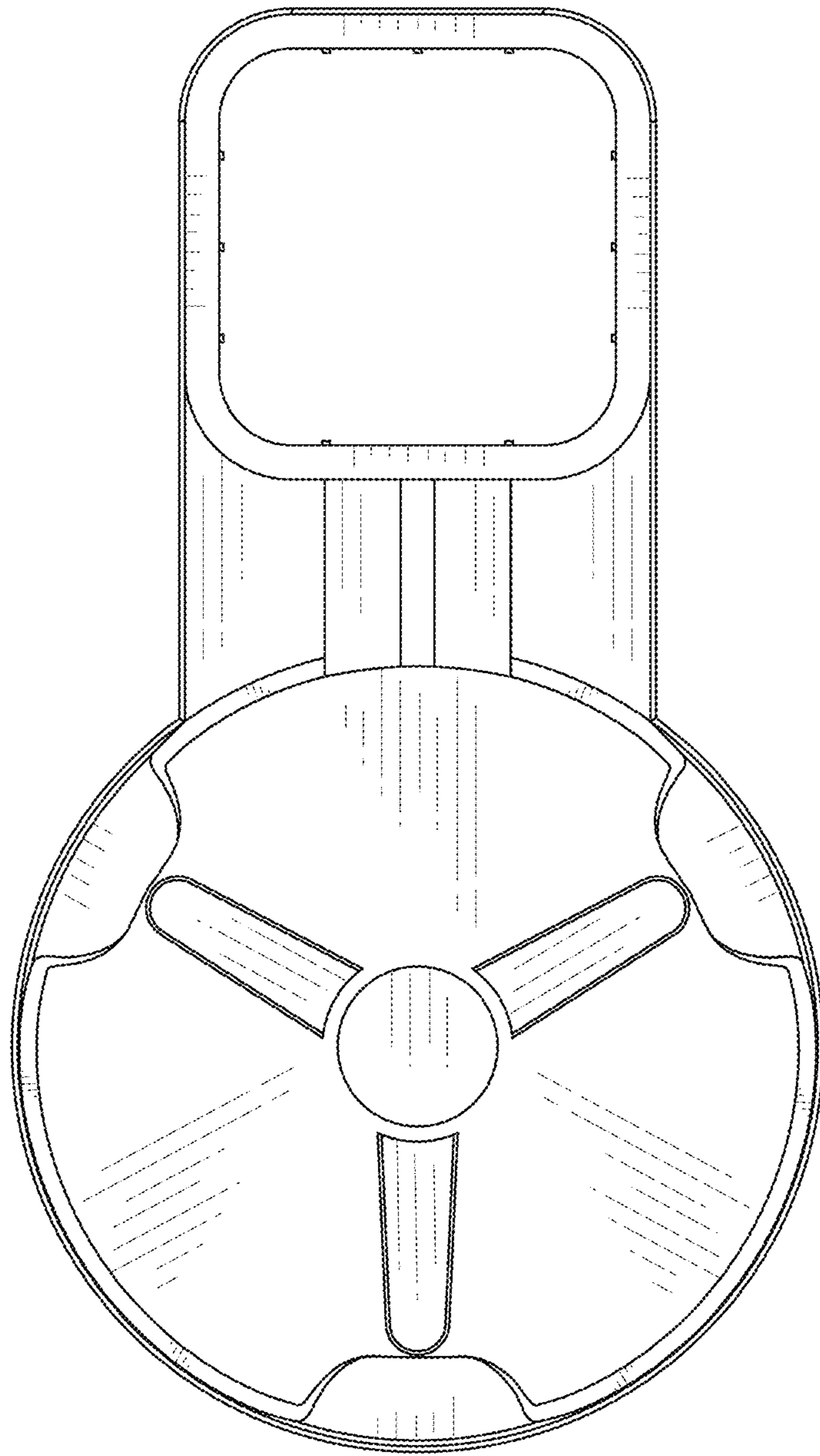


FIG.2

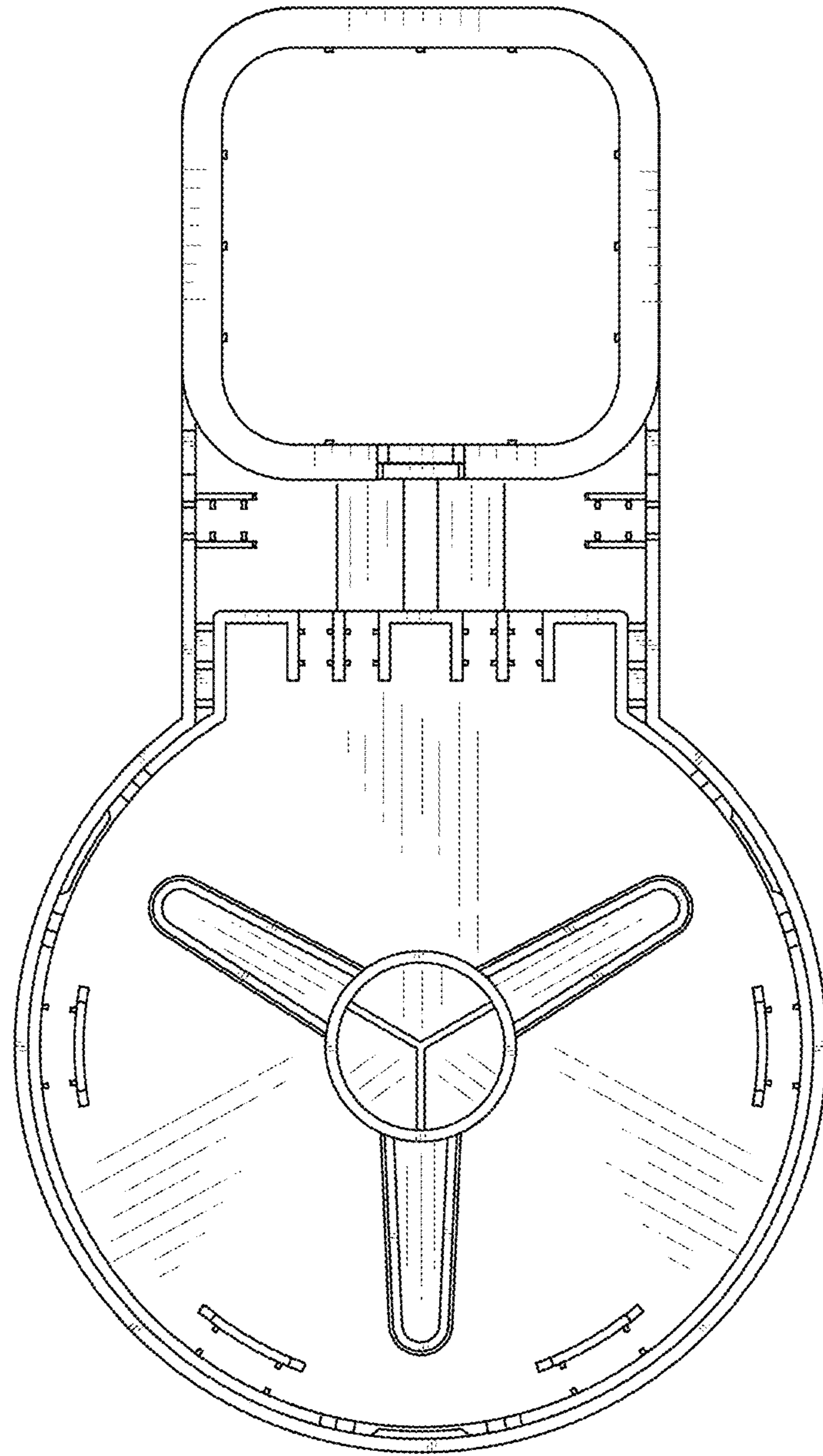


FIG.3

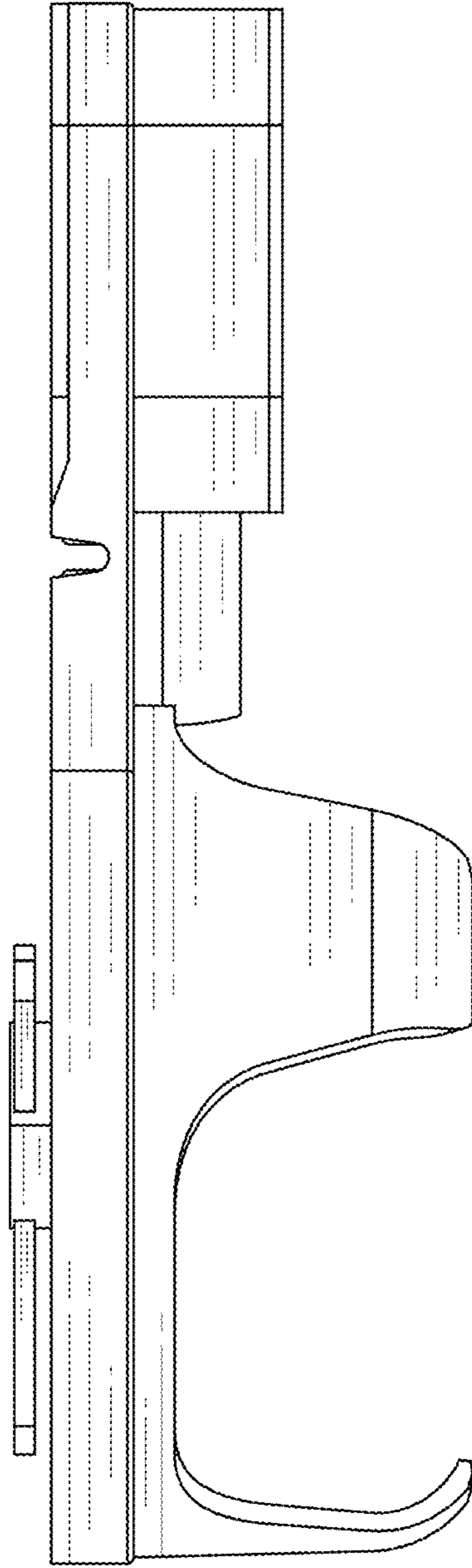


FIG.4

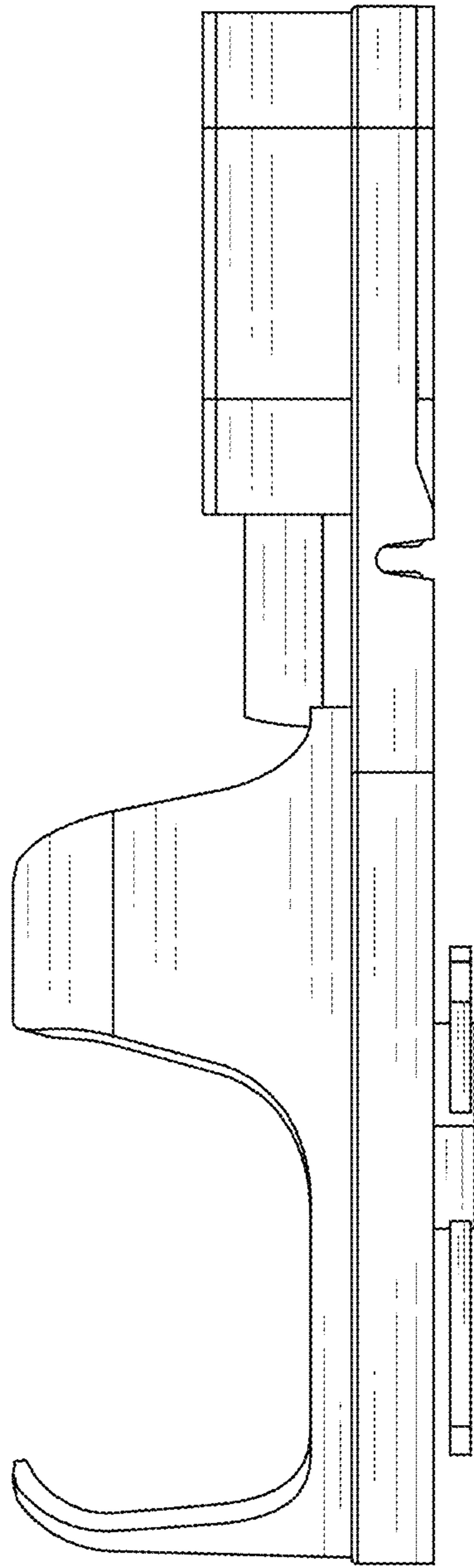


FIG.5

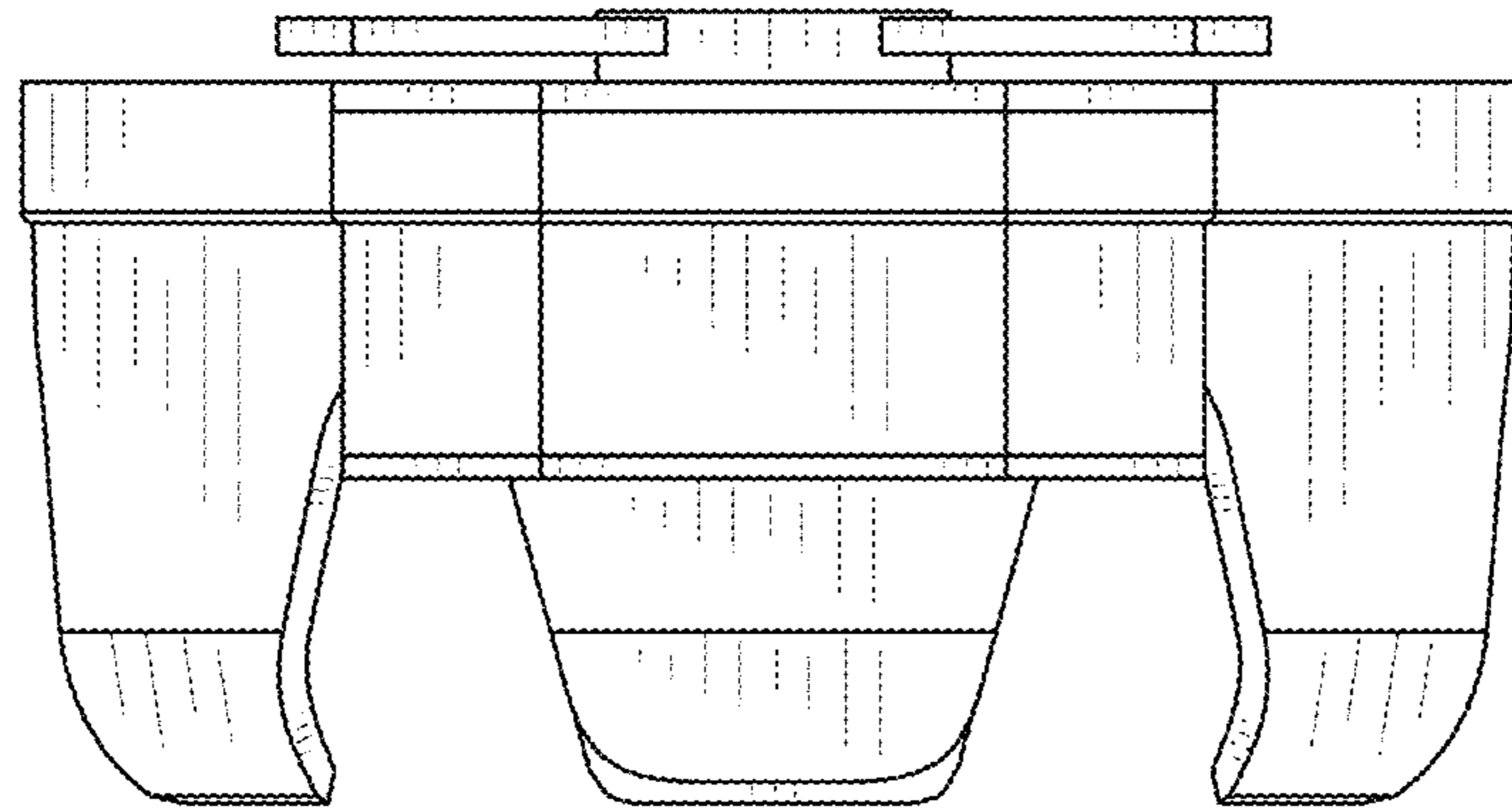


FIG.6

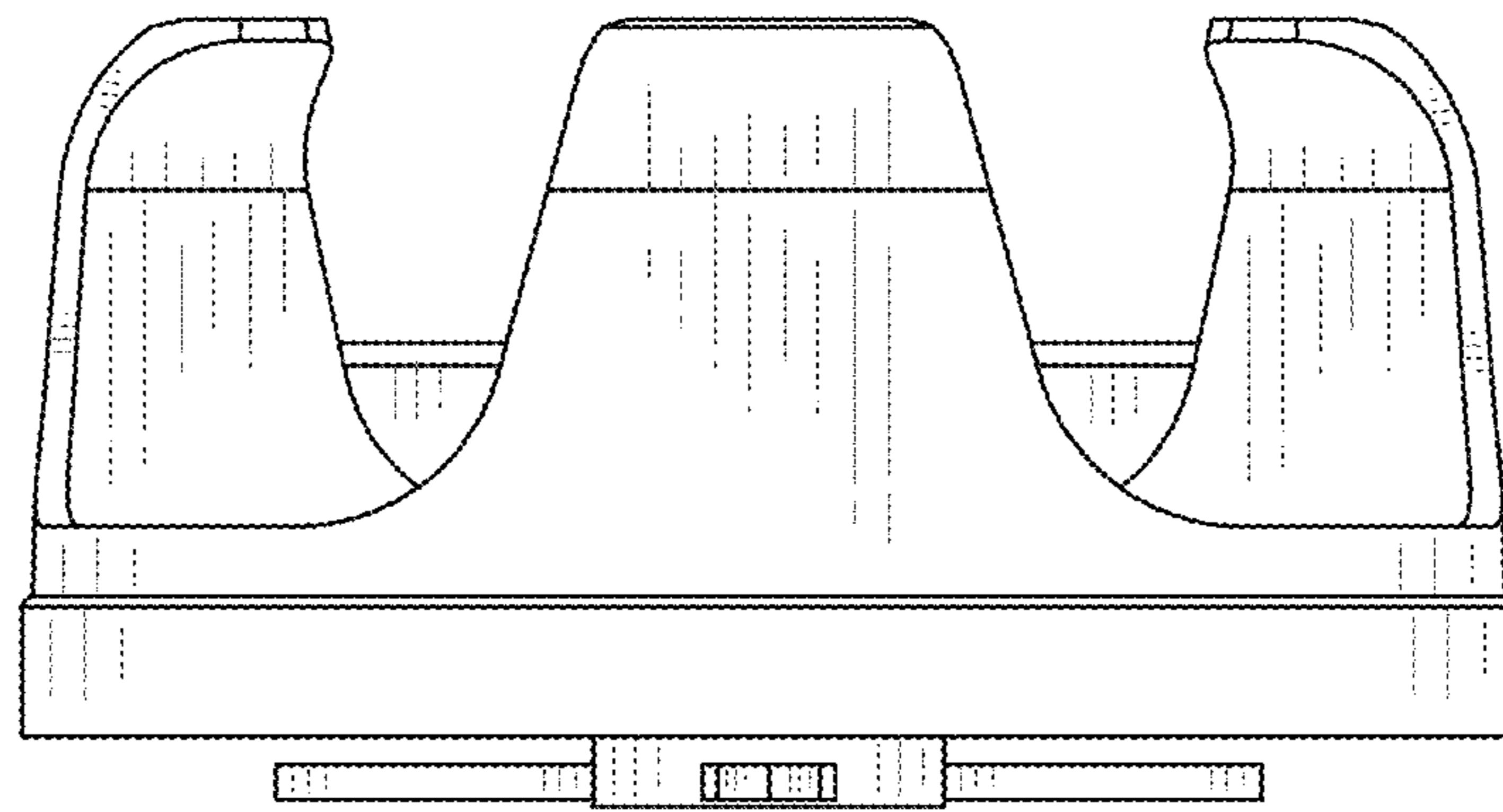


FIG.7

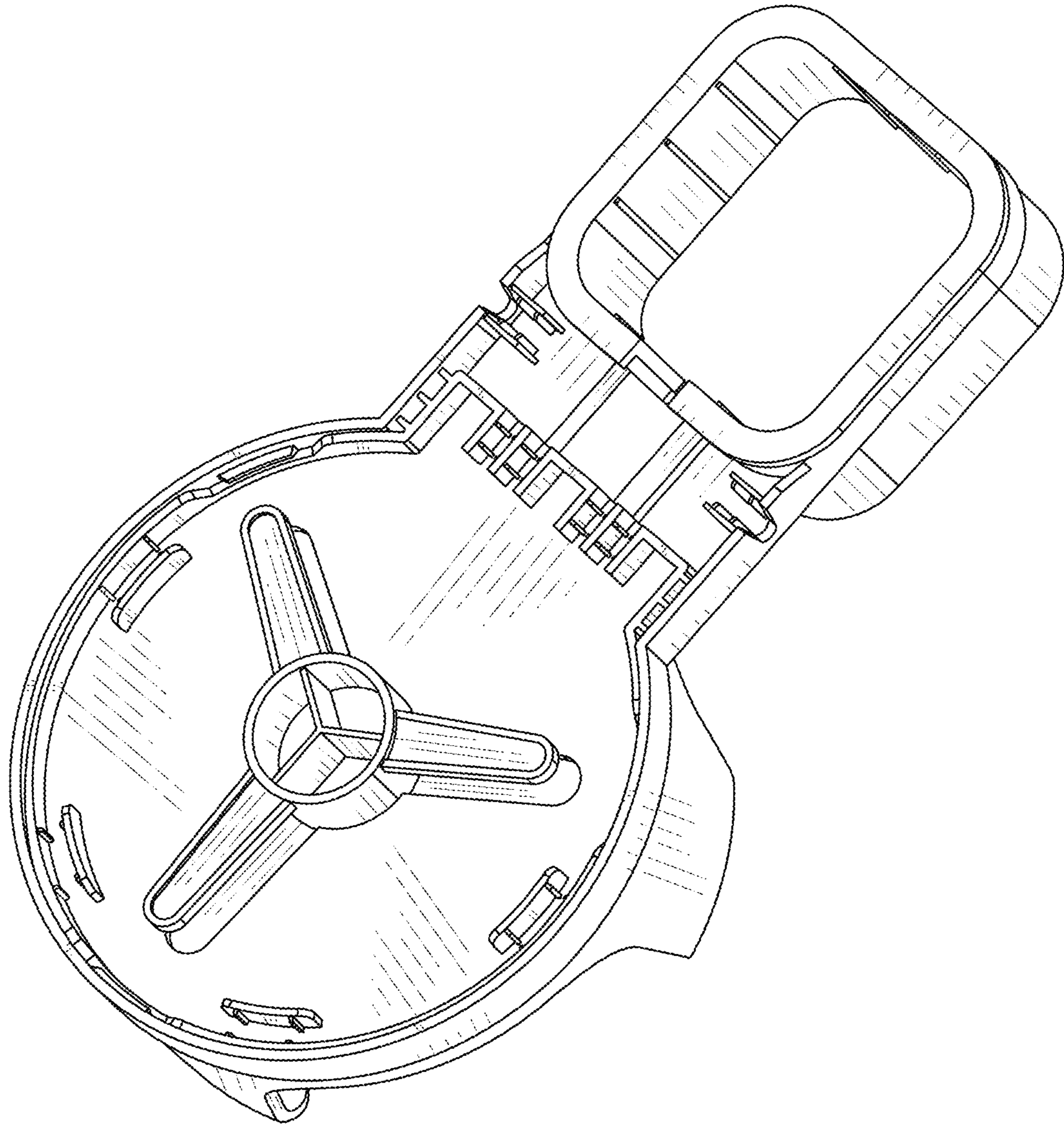


FIG.8