



US00D879746S

(12) **United States Design Patent**
Cho et al.

(10) **Patent No.:** **US D879,746 S**
(45) **Date of Patent:** **** Mar. 31, 2020**

(54) **SPEAKER**

(71) Applicant: **Samsung Electronics Co., Ltd.**,
Suwon-si (KR)
(72) Inventors: **Chul-Yong Cho**, Seoul (KR); **Min-Sun Kang**, Seoul (KR); **Se-Jin Yoon**, Seoul (KR); **Ji-Hye Lim**, Seoul (KR)
(73) Assignee: **SAMSUNG ELECTRONICS CO., LTD.**, Suwon-si (KR)
(**) Term: **15 Years**

(21) Appl. No.: **29/656,760**

(22) Filed: **Jul. 16, 2018**

(30) **Foreign Application Priority Data**

Jan. 22, 2018 (KR) 30-2018-0003656

(51) **LOC (12) Cl.** **14-01**

(52) **U.S. Cl.**
USPC **D14/217**

(58) **Field of Classification Search**
USPC D14/217, 209.1, 211, 224, 224.1, 227, D14/229, 375, 374, 451, 238, 251, 253,
(Continued)

(56) **References Cited**

U.S. PATENT DOCUMENTS

D203,199 S * 12/1965 Beckman D6/708
3,257,120 A * 6/1966 Browning A45C 5/14
280/47.17

(Continued)

FOREIGN PATENT DOCUMENTS

EM 002607515-0001 1/2015
KR 300672767 12/2012

(Continued)

OTHER PUBLICATIONS

Sheth, Sarang, "The One-Man Audio Army" published Jun. 13, 2016 at yankodesign.com: <http://www.yankodesign.com/2016/06/13/the-one-man-audio-army/> (Last accessed Jul. 9, 2018).

Primary Examiner — Paula Allen Greene
(74) *Attorney, Agent, or Firm* — McAndrews, Held & Malloy, Ltd.

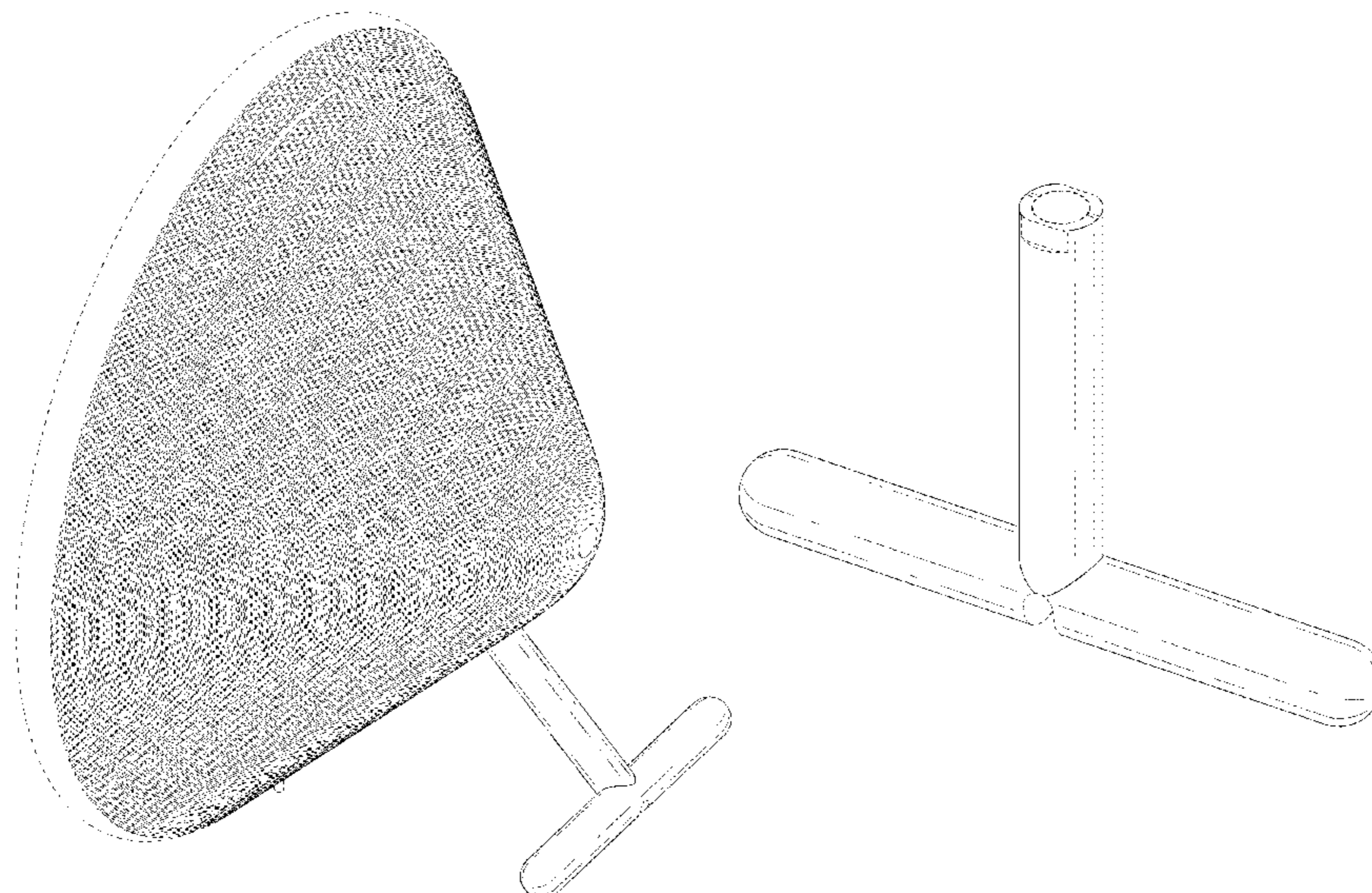
(57) **CLAIM**

The ornamental design for a speaker, as shown and described.

DESCRIPTION

FIG. 1 is a front perspective view of a speaker showing our new design;
FIG. 2 is a front elevation view thereof;
FIG. 3 is a rear elevation view thereof;
FIG. 4 is a left side elevation view thereof;
FIG. 5 is a right side elevation view thereof;
FIG. 6 is a top plan view thereof;
FIG. 7 is a bottom plan view thereof;
FIG. 8 is a rear perspective view thereof;
FIG. 9 is an enlarged view of the encircled portion 9 in FIG. 3;
FIG. 10 is a front perspective view of the stand portion of the speaker shown separately for clarity of illustration;
FIG. 11 is a front elevation view thereof;
FIG. 12 is a rear elevation view thereof;
FIG. 13 is a left side elevation view thereof;
FIG. 14 is a right side elevation view thereof;
FIG. 15 is a top plan view thereof; and
FIG. 16 is a bottom plan view thereof.
The evenly dashed broken lines in the drawings illustrate example environment and portions of the speaker that form no part of the claimed design. The dot dashed broken lines encircling portions of the claimed design that are illustrated in enlargements form no part of the claimed design.

1 Claim, 16 Drawing Sheets



(58) **Field of Classification Search**

USPC D14/447, 239; D8/337, 302, 336, 33, 40,
 D8/42; D3/218; D6/708, 656.17, 691.5,
 D6/682.3; D12/415; 248/323, 278.1,
 248/286.1; 190/18 A
 CPC G06F 1/16; A45C 5/14; H05K 5/024
 See application file for complete search history.

5,564,538 A * 10/1996 Sadow A45C 5/14
 190/115
 D439,067 S * 3/2001 Vertongen D6/370
 D465,212 S * 11/2002 Lytel D14/211
 D656,913 S * 4/2012 Ann D14/126
 D670,257 S * 11/2012 Yang D14/126
 D671,923 S * 12/2012 Seong D14/239
 D680,089 S * 4/2013 Cho D14/126
 D680,106 S * 4/2013 Hwangbo D14/239
 D682,799 S * 5/2013 Hwang Bo D14/126
 D683,735 S * 6/2013 Chang D14/451
 D700,170 S * 2/2014 Choi D14/239
 D710,320 S * 8/2014 Kim D14/126
 D735,694 S * 8/2015 Allen D14/211
 D745,864 S * 12/2015 Jung D14/239
 D755,150 S * 5/2016 Kim D14/138 G
 D755,190 S * 5/2016 Kim D14/451
 2005/0017149 A1 * 1/2005 Wu A47B 23/044
 248/441.1

(56) **References Cited**

U.S. PATENT DOCUMENTS

D236,058 S * 7/1975 Kramer D6/656.17
 4,706,478 A * 11/1987 Swan E05B 5/00
 292/336.3
 D303,625 S * 9/1989 Ryser D8/336
 D323,776 S * 2/1992 Hansen D8/306
 5,269,044 A * 12/1993 Marion B25G 3/38
 114/362
 5,394,965 A * 3/1995 Kho A45C 13/262
 16/113.1
 5,464,080 A * 11/1995 Liang A45C 13/262
 190/115

FOREIGN PATENT DOCUMENTS

KR 300862049 7/2016
 KR 300885635 12/2016

* cited by examiner

FIG. 1

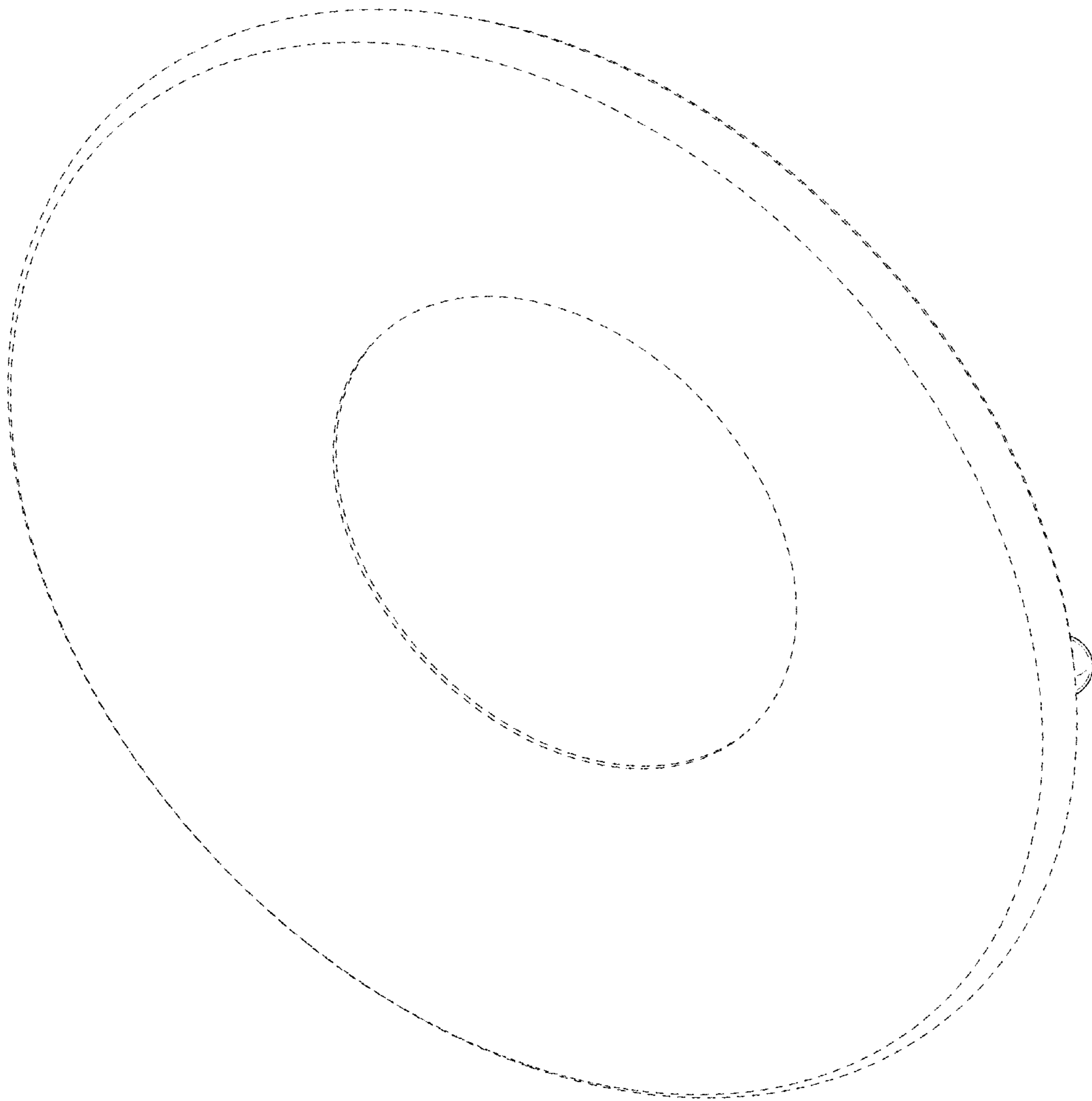


FIG. 2

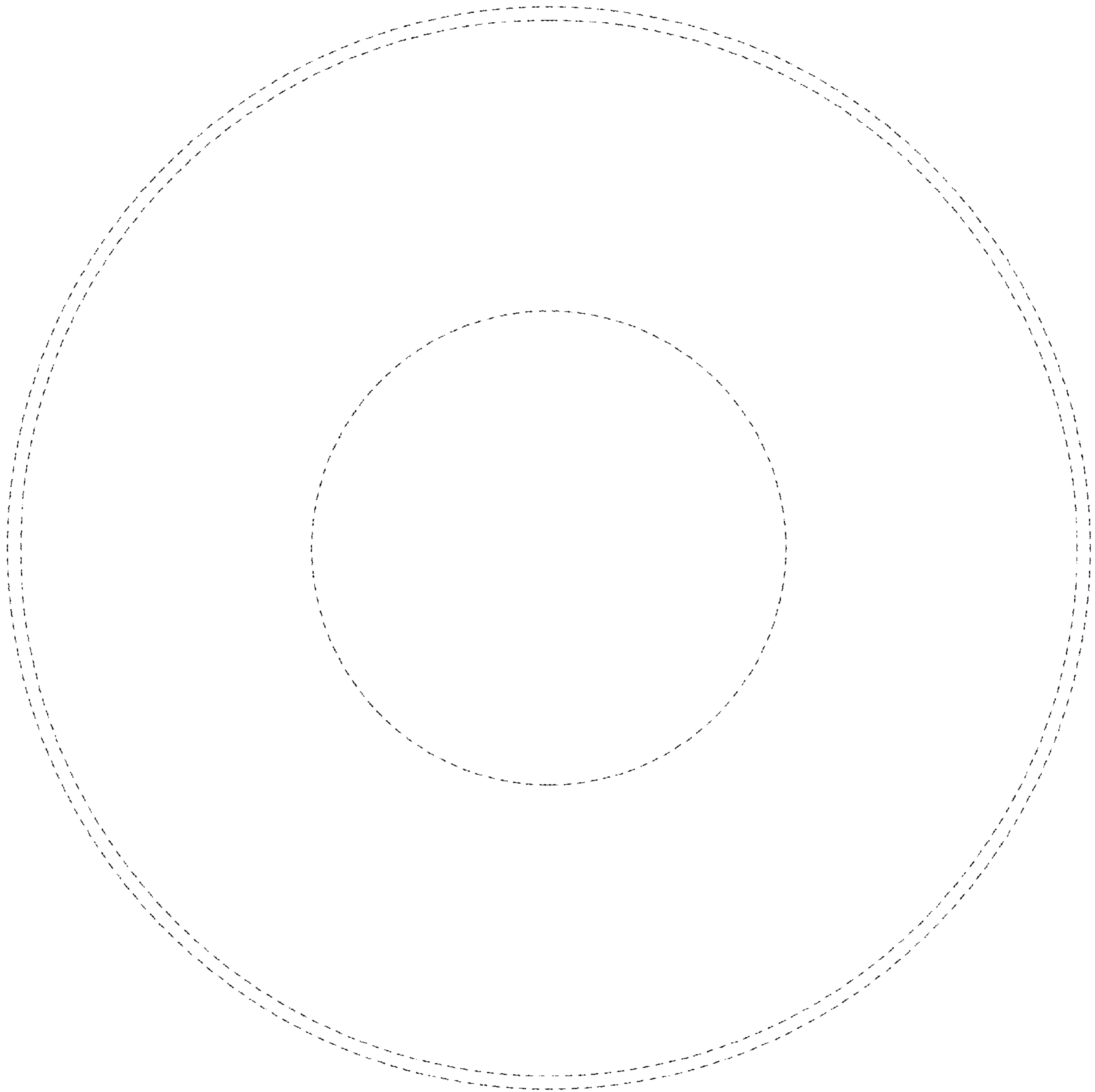


FIG. 3

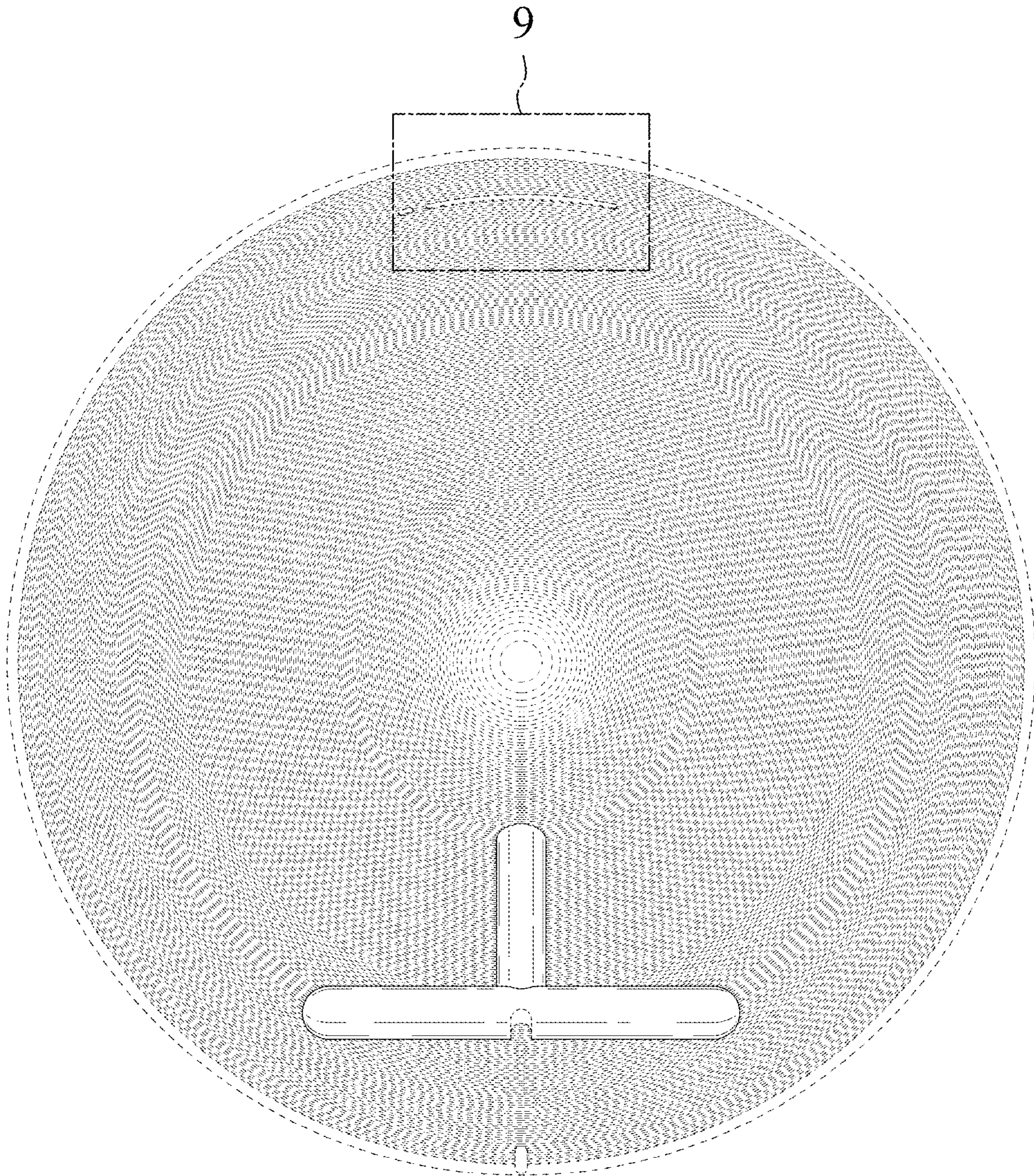


FIG. 4

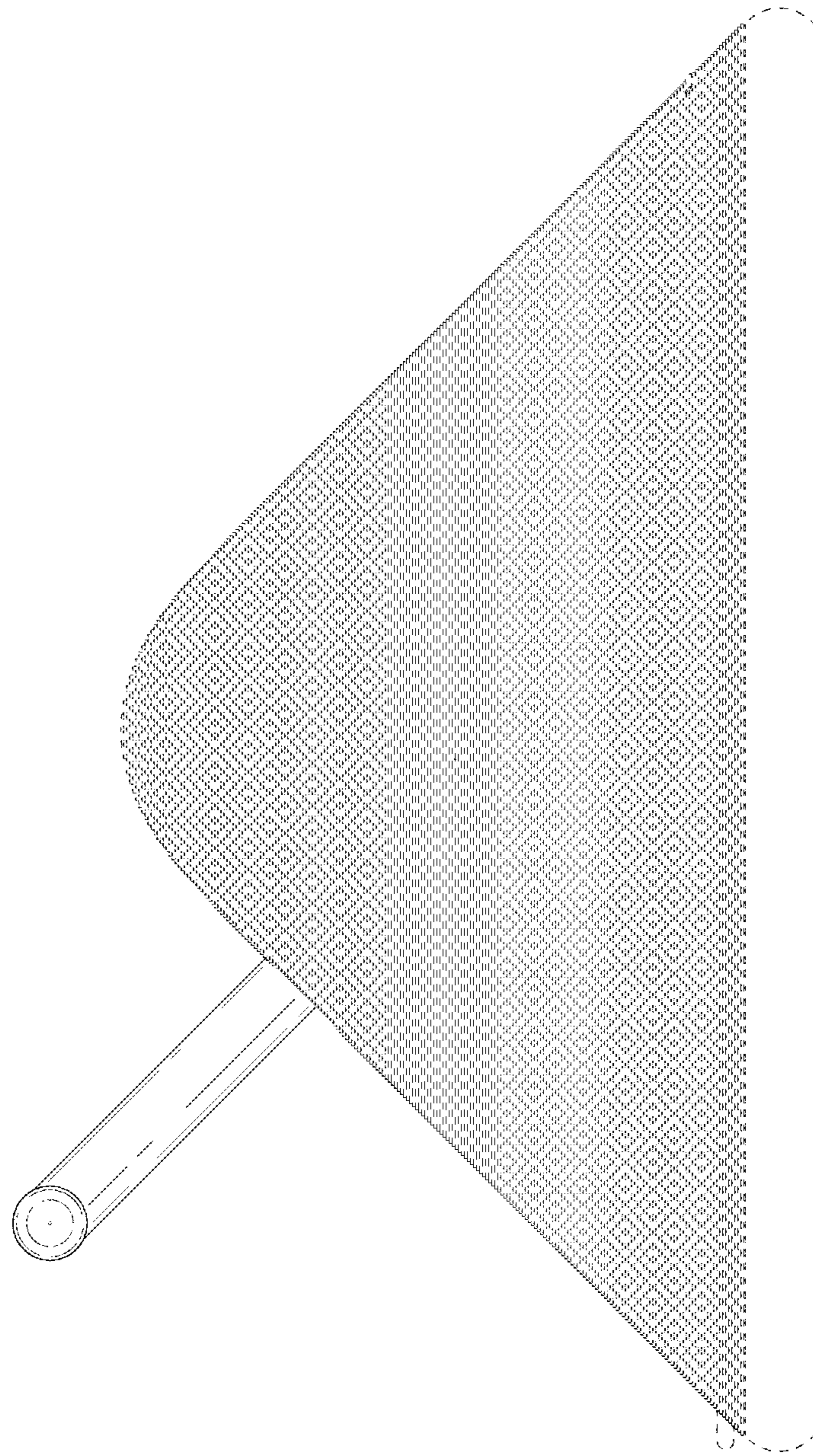


FIG. 5

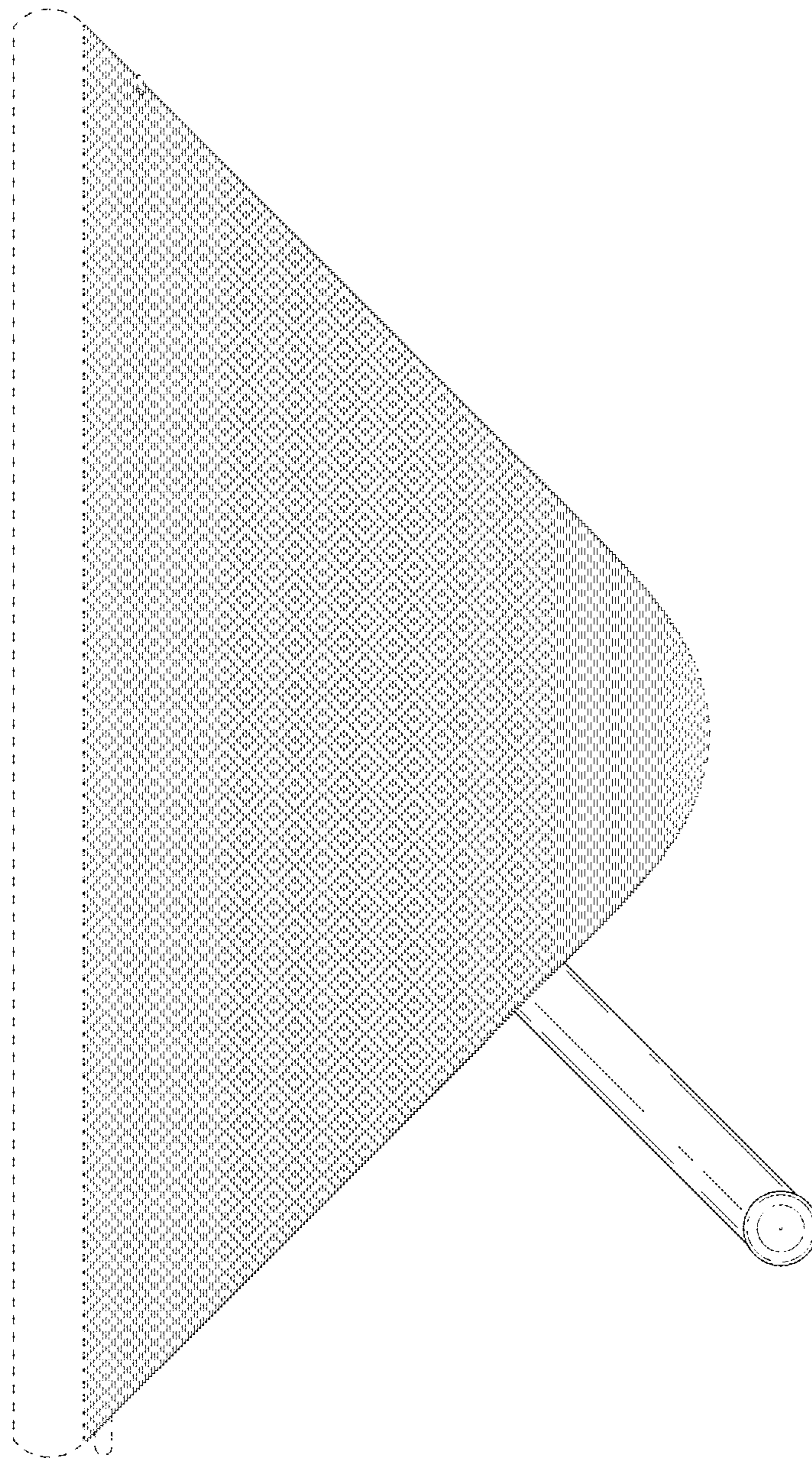


FIG. 6

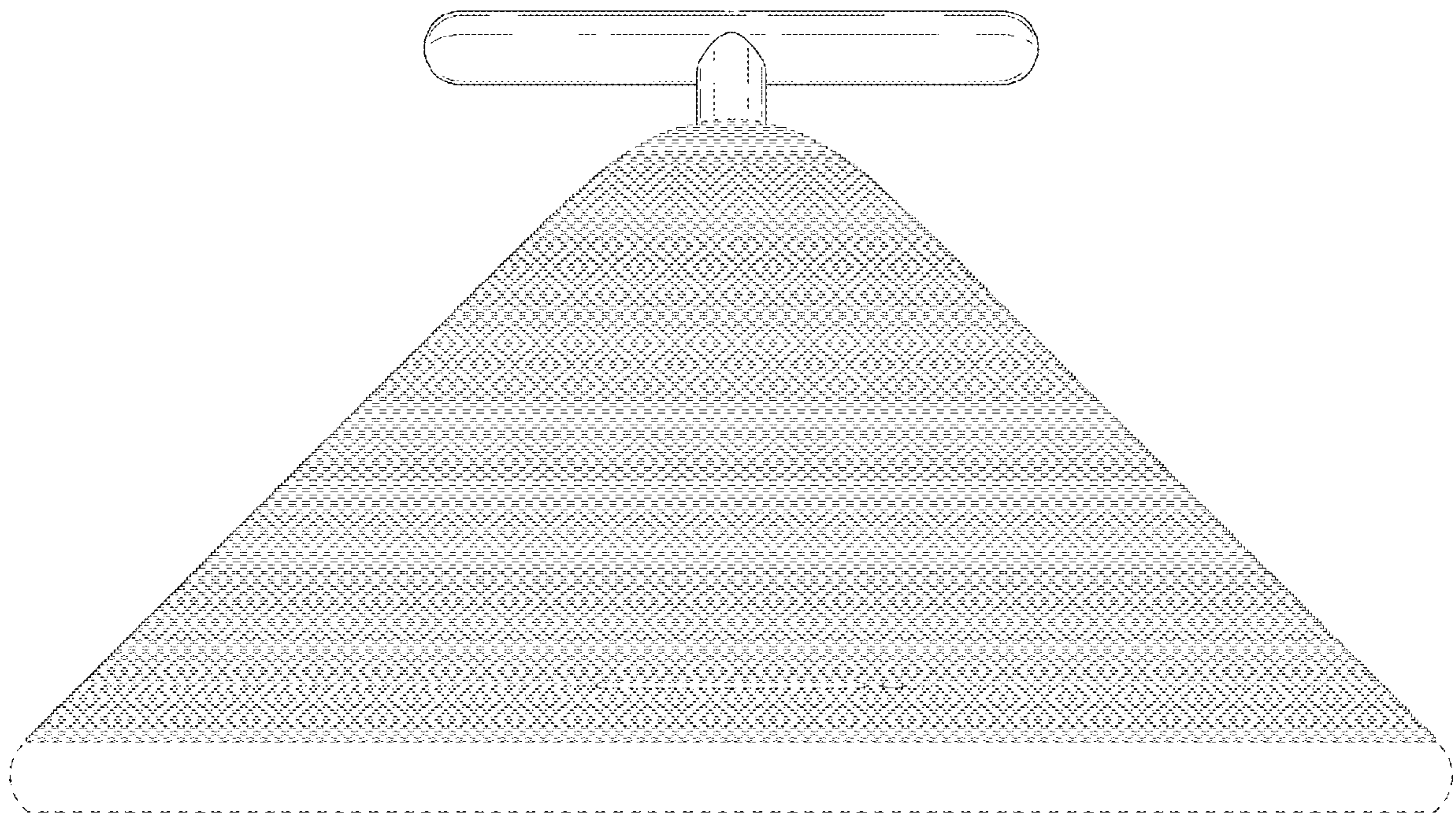


FIG. 7

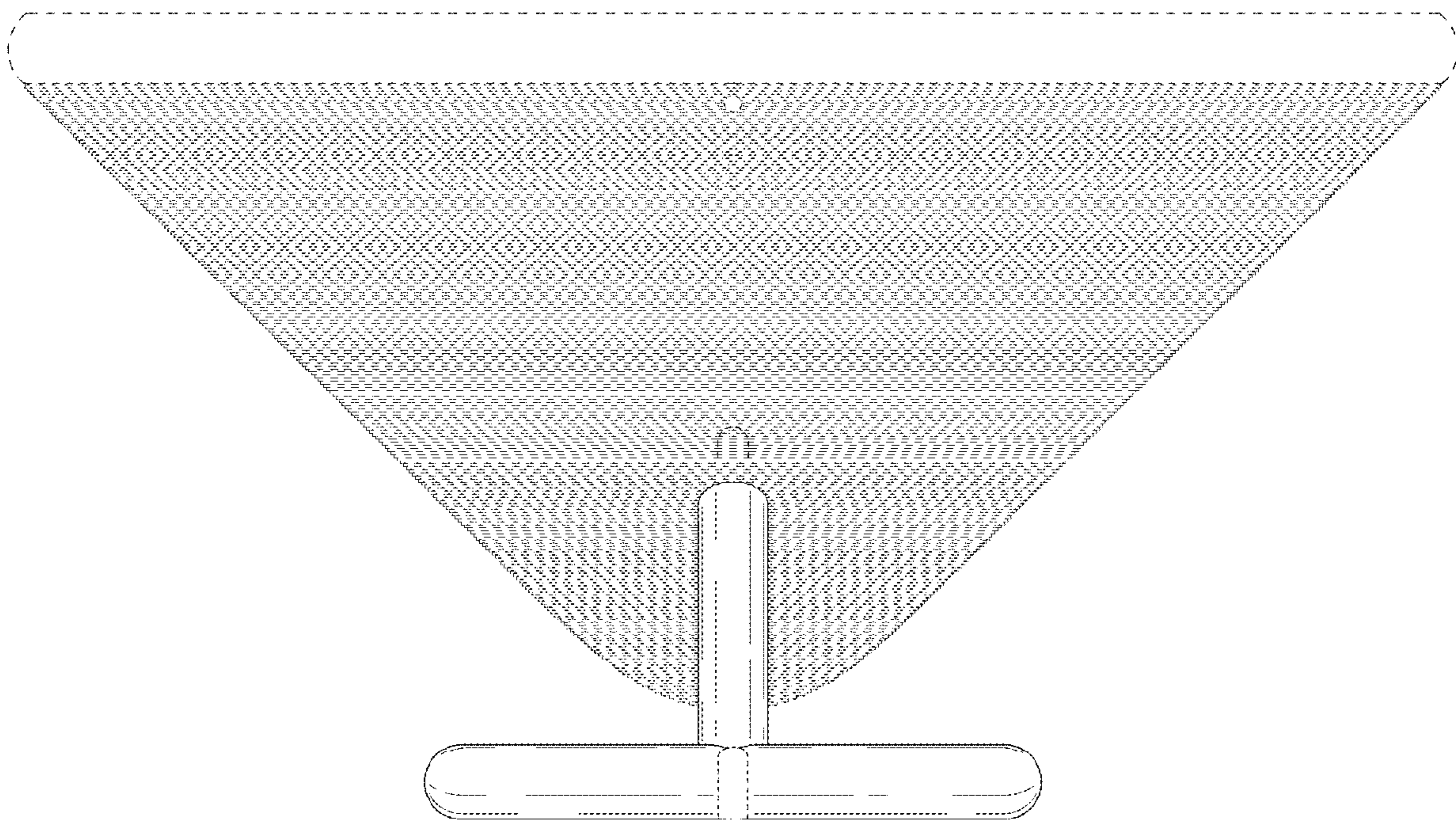


FIG. 8

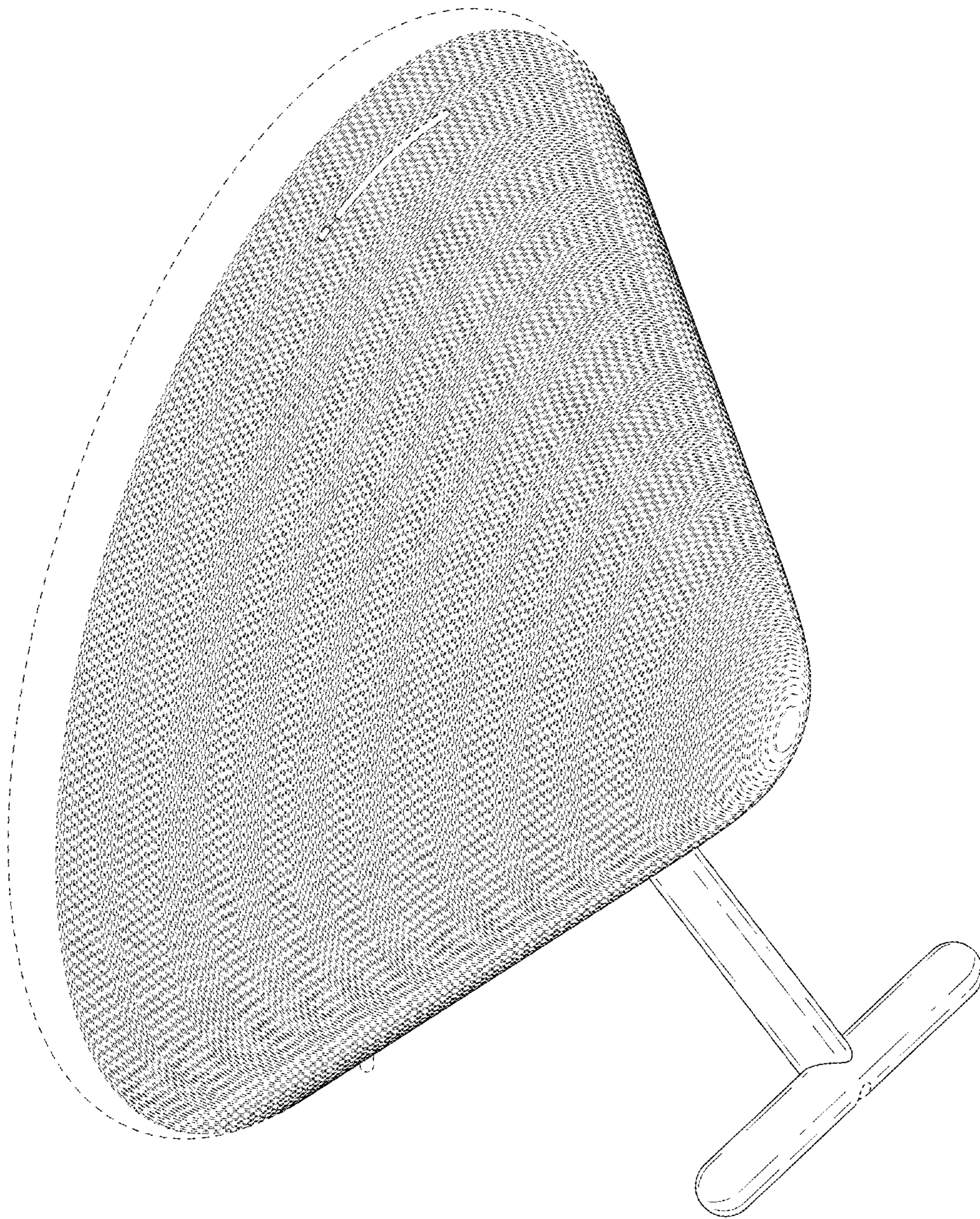


FIG. 9

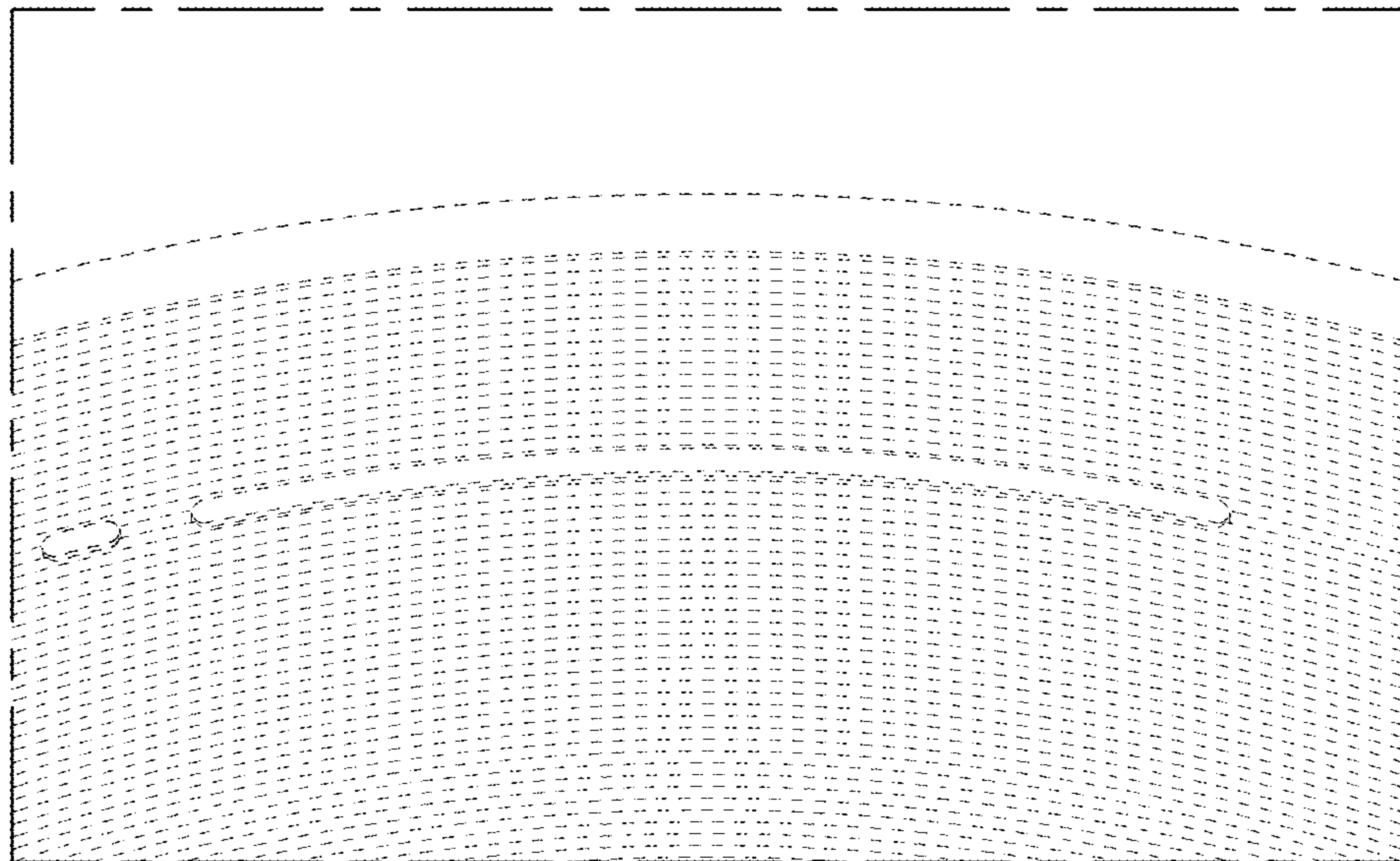


FIG. 10

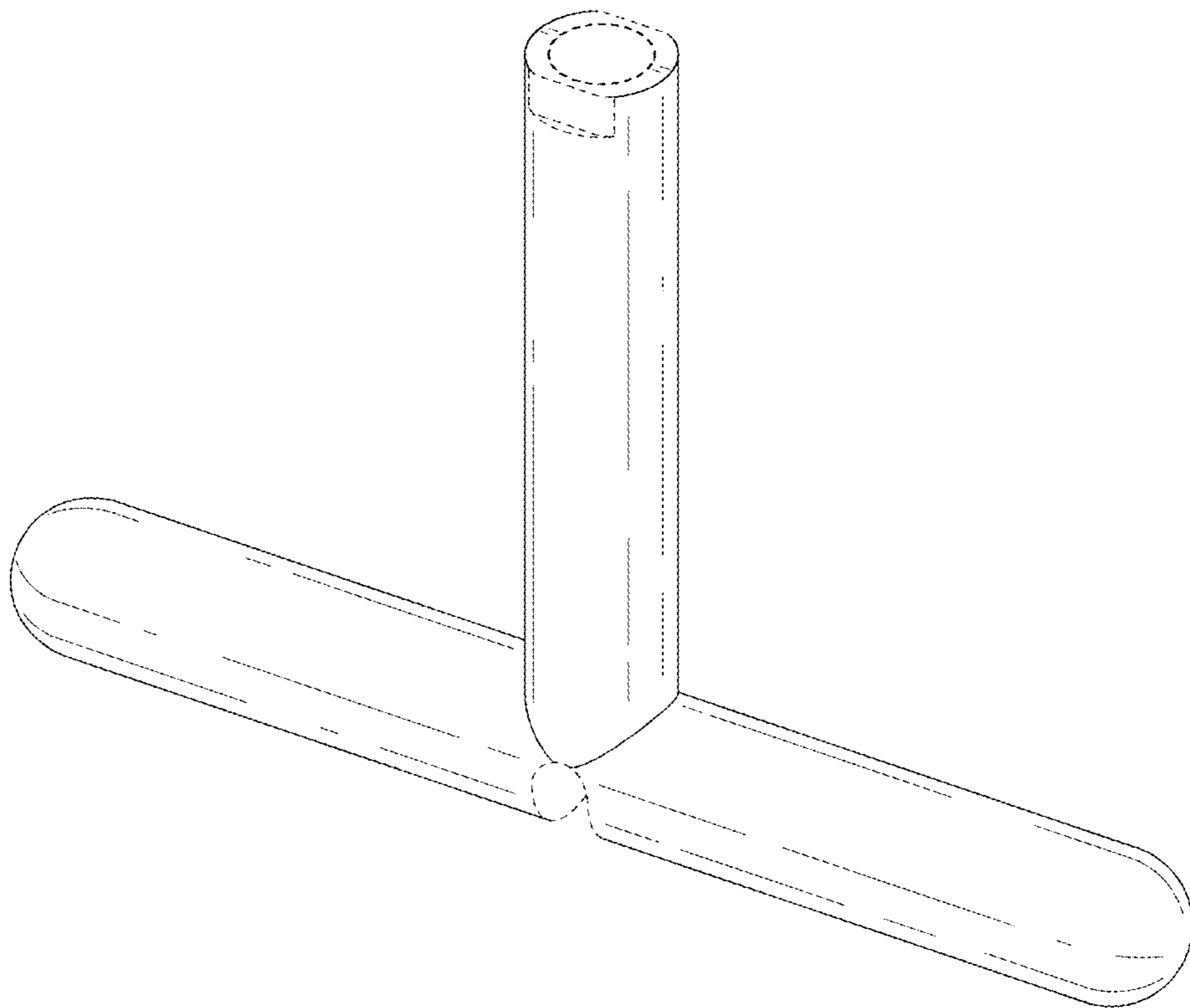


FIG. 11

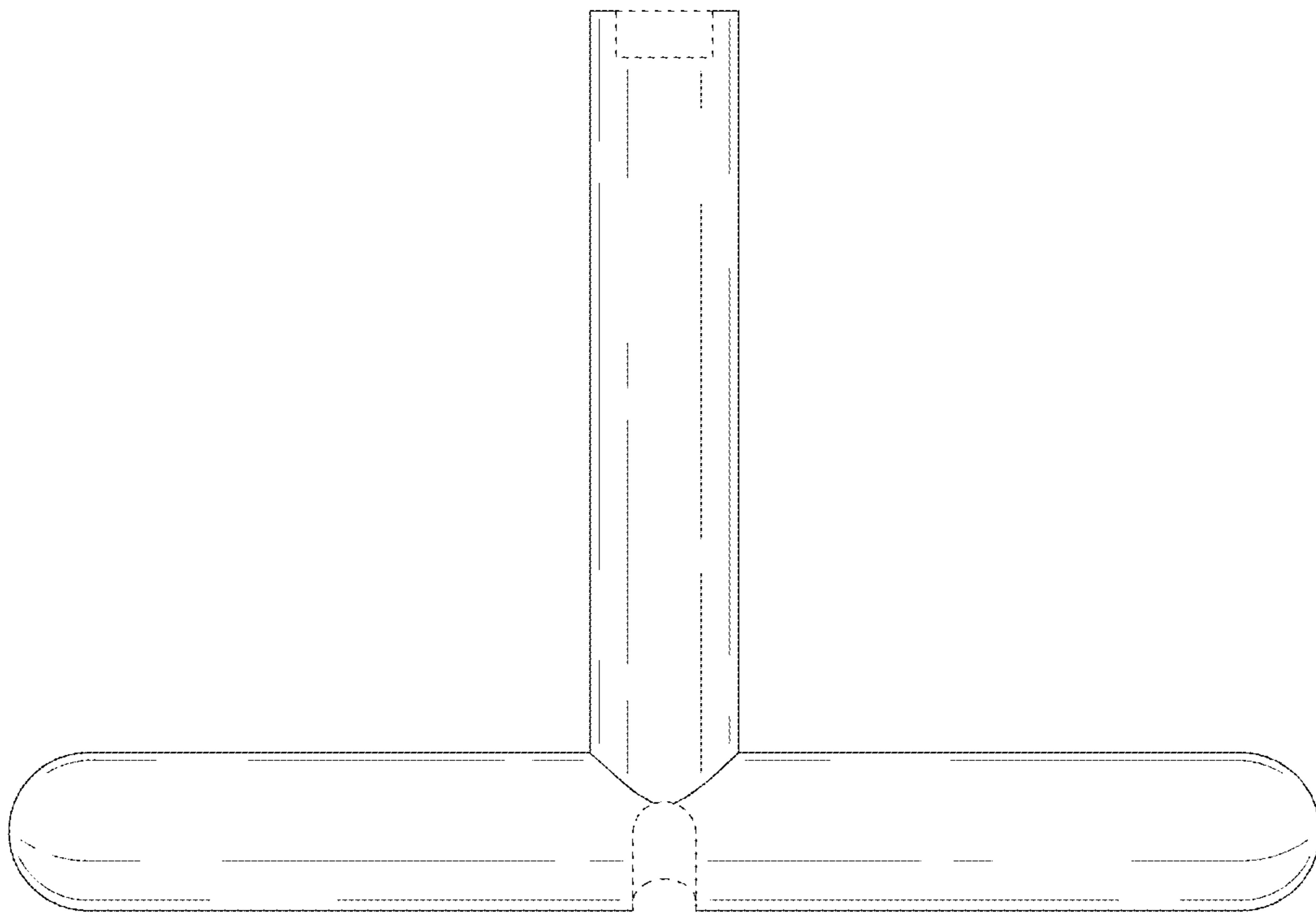


FIG. 12

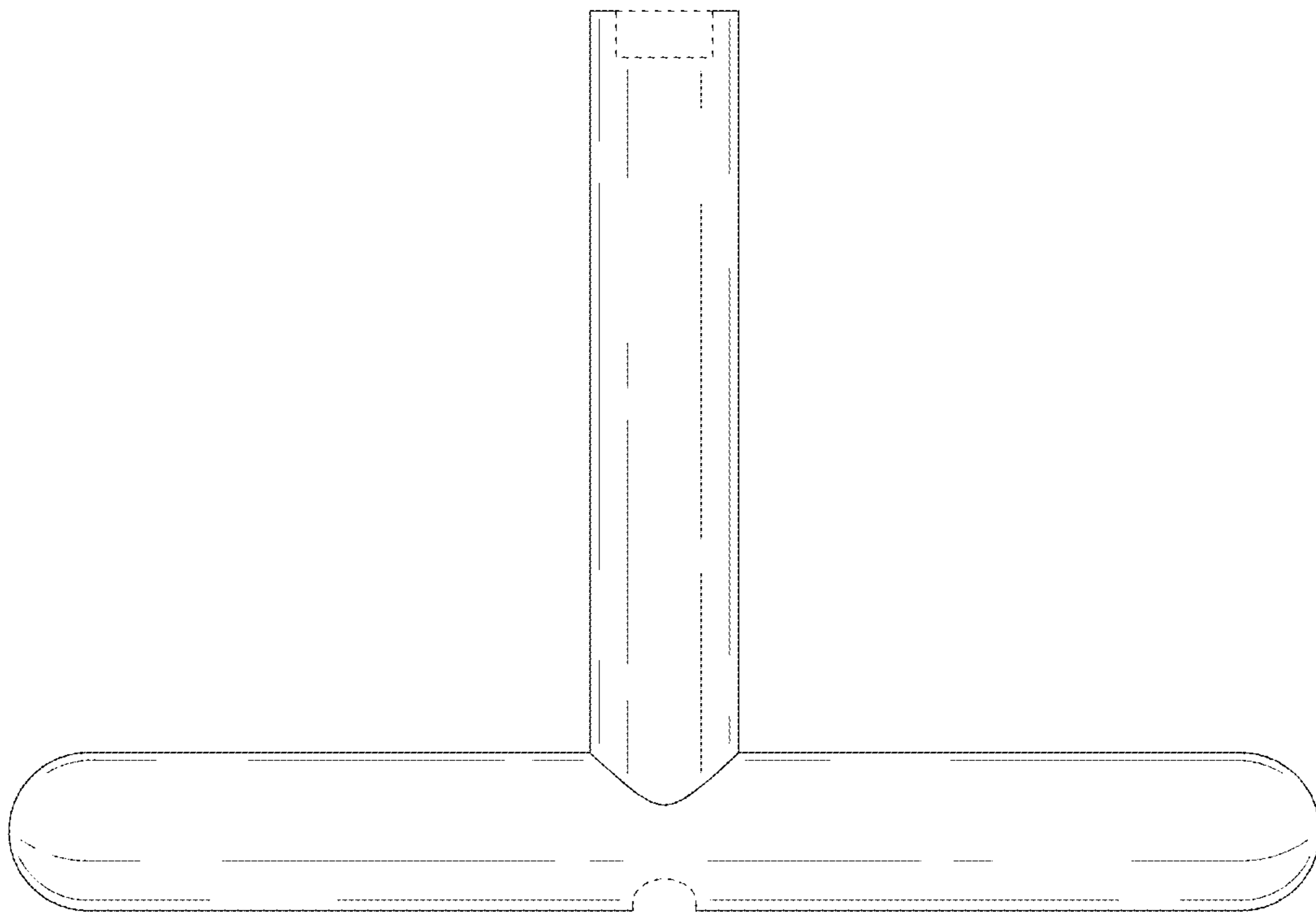


FIG. 13

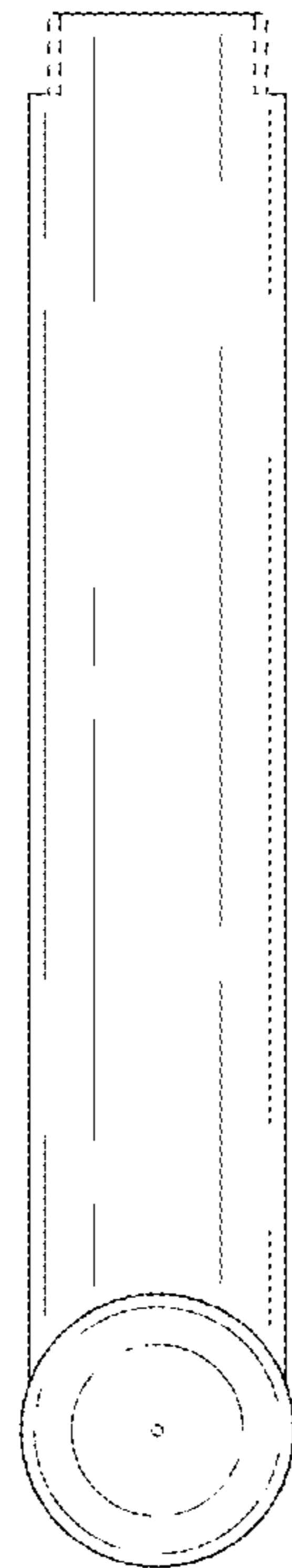


FIG. 14

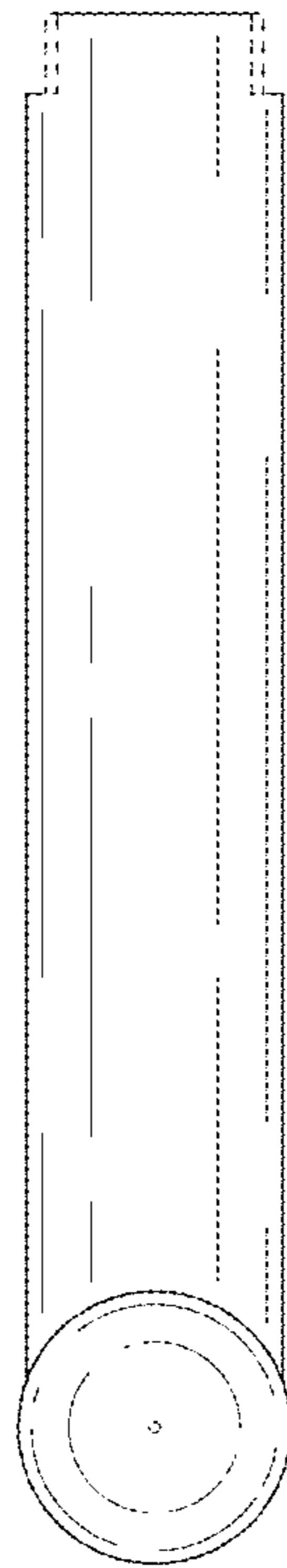


FIG. 15

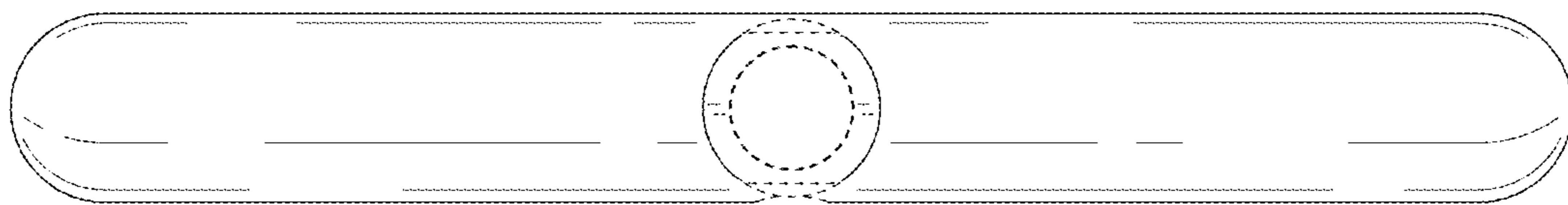


FIG. 16

