



US00D879745S

(12) **United States Design Patent**  
**Lyu et al.**

(10) **Patent No.:** **US D879,745 S**  
(45) **Date of Patent:** **\*\* Mar. 31, 2020**

(54) **SMART SPEAKER**

(71) Applicant: **Baidu Online Network Technology (Beijing) Co., Ltd.**, Beijing (CN)

(72) Inventors: **Cheng Lyu**, Beijing (CN); **Xiyu Mao**, Beijing (CN)

(73) Assignee: **Baidu Online Network Technology (Beijing) Co., Ltd.**, Beijing (CN)

(\*\*) Term: **15 Years**

(21) Appl. No.: **29/631,040**

(22) Filed: **Dec. 27, 2017**

(30) **Foreign Application Priority Data**

Oct. 12, 2017 (CN) ..... 2017 3 0484785

(51) **LOC (12) Cl.** ..... **14-01**

(52) **U.S. Cl.**  
USPC ..... **D14/214**

(58) **Field of Classification Search**

USPC ..... D14/167, 168, 170–172, 188, 194–196,  
D14/204, 209.1, 210–216, 219, 221, 222,  
D14/224, 239, 496

CPC ..... B60R 11/0217; G06F 1/1688; G10K 9/22;  
G10K 11/004; H03F 1/327; H04M 1/03;  
H04M 1/035; H04N 5/642; H04N  
21/4852; H04R 1/02; H04R 1/06; H04R  
1/021; H04R 1/025; H04R 1/026; H04R  
1/028; H04R 1/105; H04R 1/323; H04R  
1/403; H04R 1/2803; H04R 1/2834;  
H04R 5/02; H04R 7/20; H04R 9/06;  
H04R 9/025; H04R 2201/021; H04R  
2400/00; H04R 2400/07; H04R 2499/11;  
H04R 2499/13; H04R 2499/15; H04S  
3/00; H04S 7/30

See application file for complete search history.

(56) **References Cited**

U.S. PATENT DOCUMENTS

D98,477 S *	2/1936	Jensen .....	D14/198
D122,480 S *	9/1940	Dardess .....	D14/197
D227,120 S *	6/1973	Schneider .....	D14/212
D234,604 S *	3/1975	Shimizu .....	D14/212
D311,539 S *	10/1990	Franzini .....	D14/216
D330,029 S *	10/1992	Kawaguchi .....	D14/212
D368,092 S *	3/1996	Nottingham .....	D14/188
D460,957 S *	7/2002	Curina .....	D14/211
D650,866 S *	12/2011	Clahsen .....	D21/484

(Continued)

OTHER PUBLICATIONS

Mashable.com; “China’s biggest search engine unveils a smart speaker, the first of its AI products to come”; ‘https://mashable.com/2017/11/16/baidu-smart-speaker-raven-h/’; [online] dated Nov. 16, 2017; accessed Oct. 1, 2019; 3p. (Year: 2017).\*

*Primary Examiner* — Keli L Hill

(74) *Attorney, Agent, or Firm* — Dinsmore & Shohl, LLP

(57) **CLAIM**

The ornamental design for a smart speaker, as shown and described herein.

**DESCRIPTION**

FIG. 1 is a front elevation view of a smart speaker showing the design;  
FIG. 2 is a rear elevation view of the design;  
FIG. 3 is a left-side elevation view of the design;  
FIG. 4 is a right-side elevation view of the design;  
FIG. 5 is a top plan view of the design;  
FIG. 6 is a bottom plan view of the design;  
FIG. 7 is a rear, right perspective view of the design;  
FIG. 8 is a first reference view showing the smart speaker in a working state of the design; and,

(Continued)

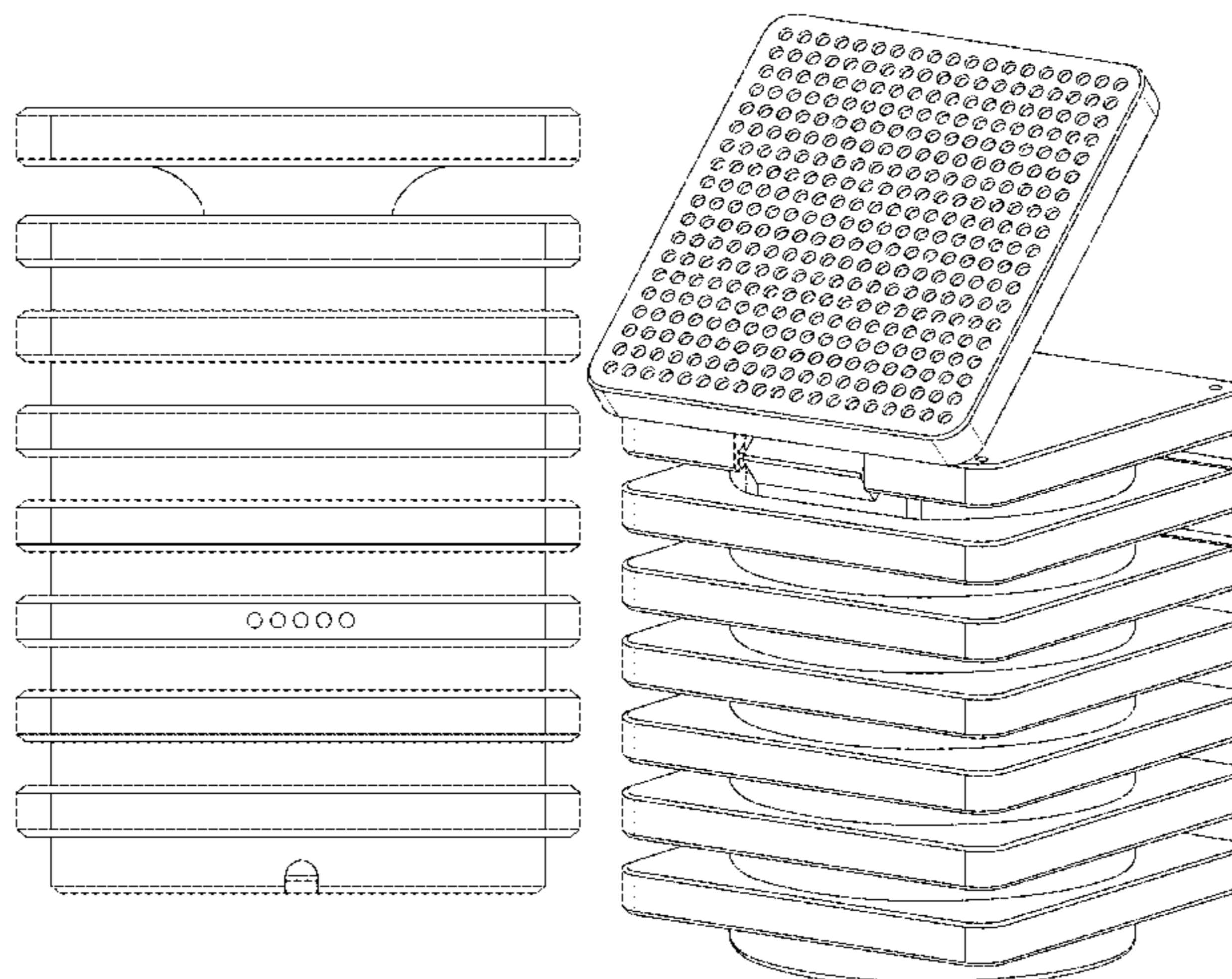


FIG. 9 is a second reference view showing the smart speaker in another working state of the design.

The broken lines in the drawings depict portions of the smart speaker that form no part of the claimed design.

**1 Claim, 9 Drawing Sheets**

(56)

**References Cited**

U.S. PATENT DOCUMENTS

D733,684 S *	7/2015	Wong .....	D14/216
D767,533 S *	9/2016	Mchatet .....	D14/214
D848,043 S *	5/2019	Zhuo .....	D26/41

\* cited by examiner

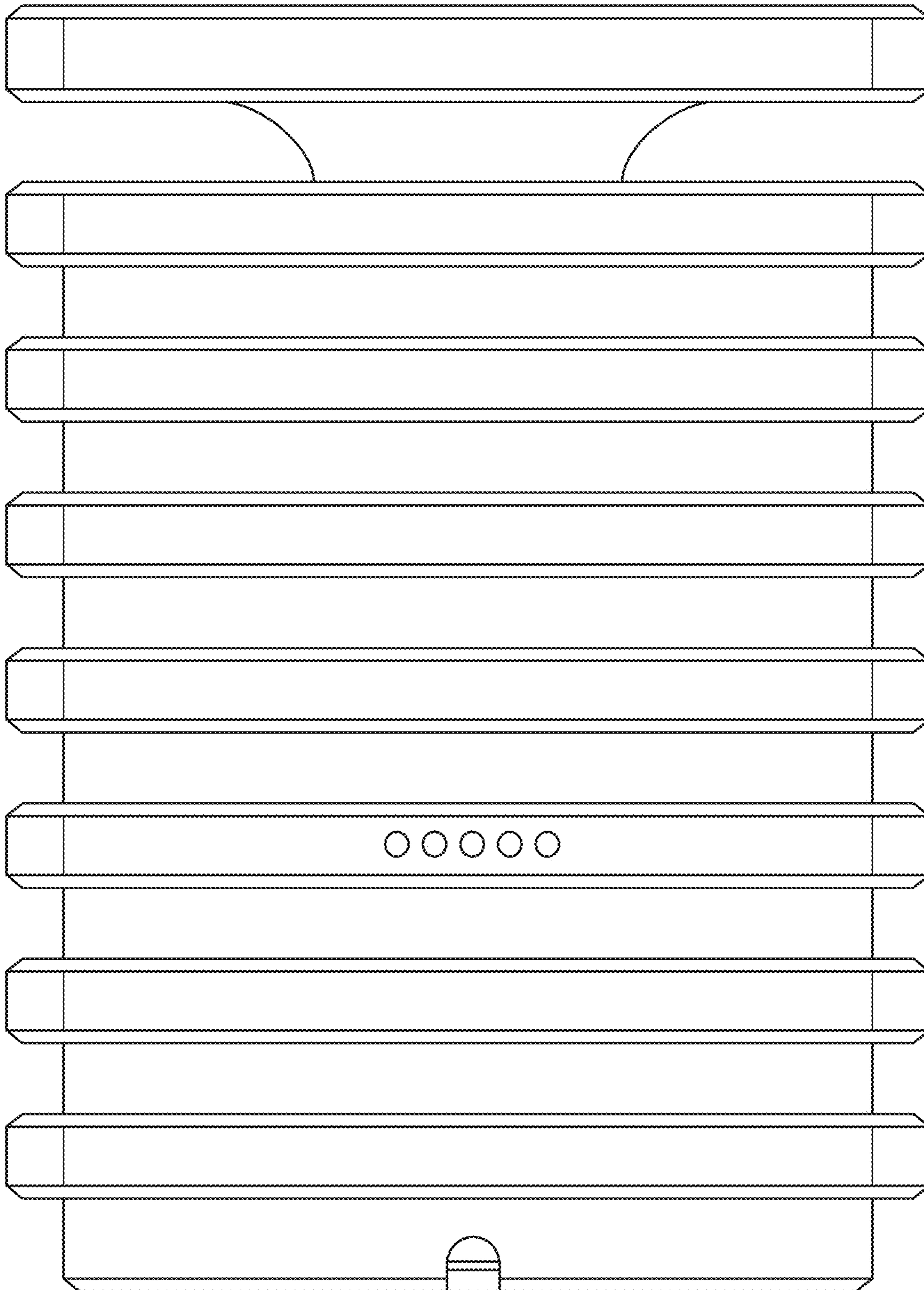


Fig. 1

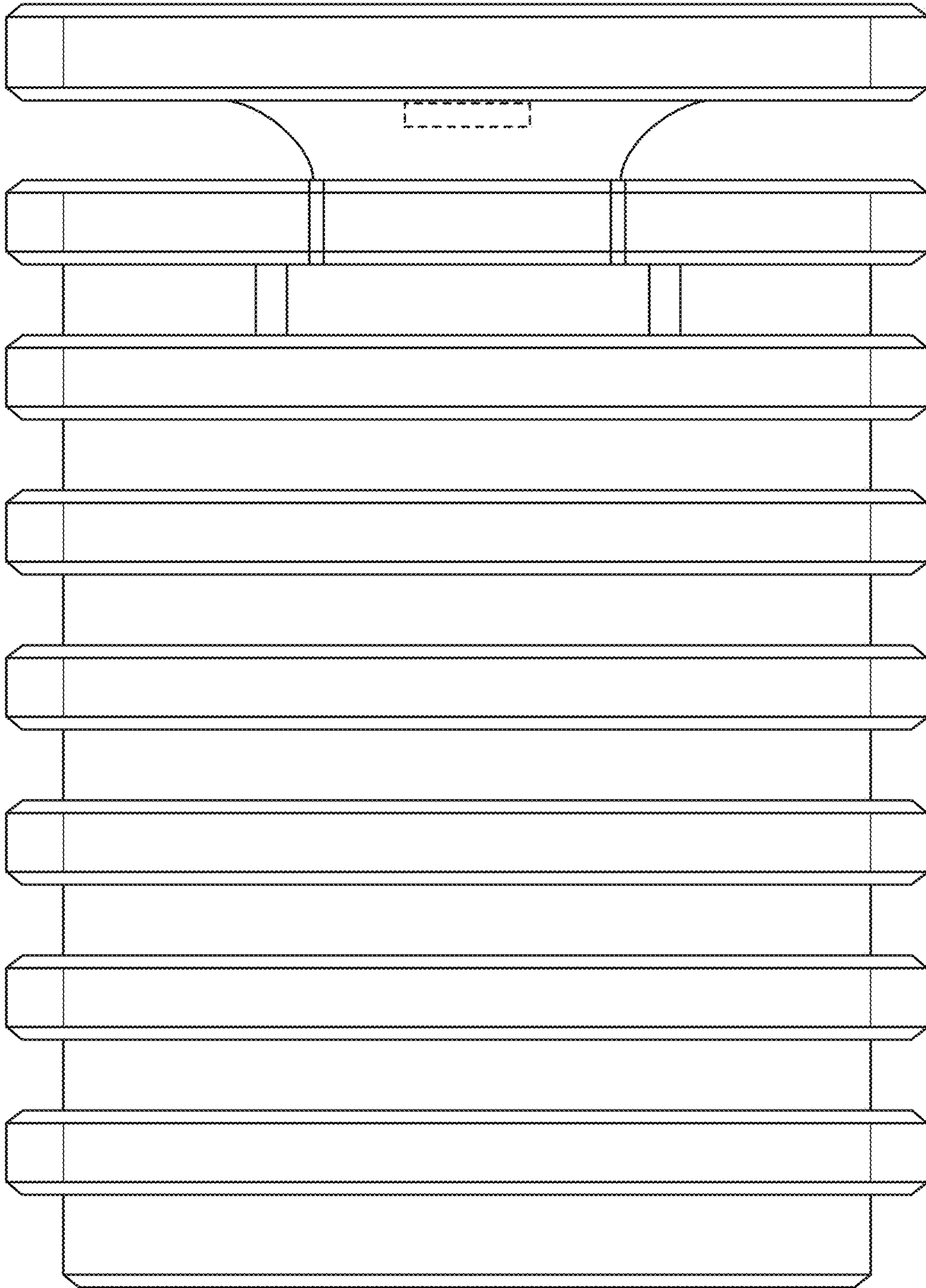


Fig. 2

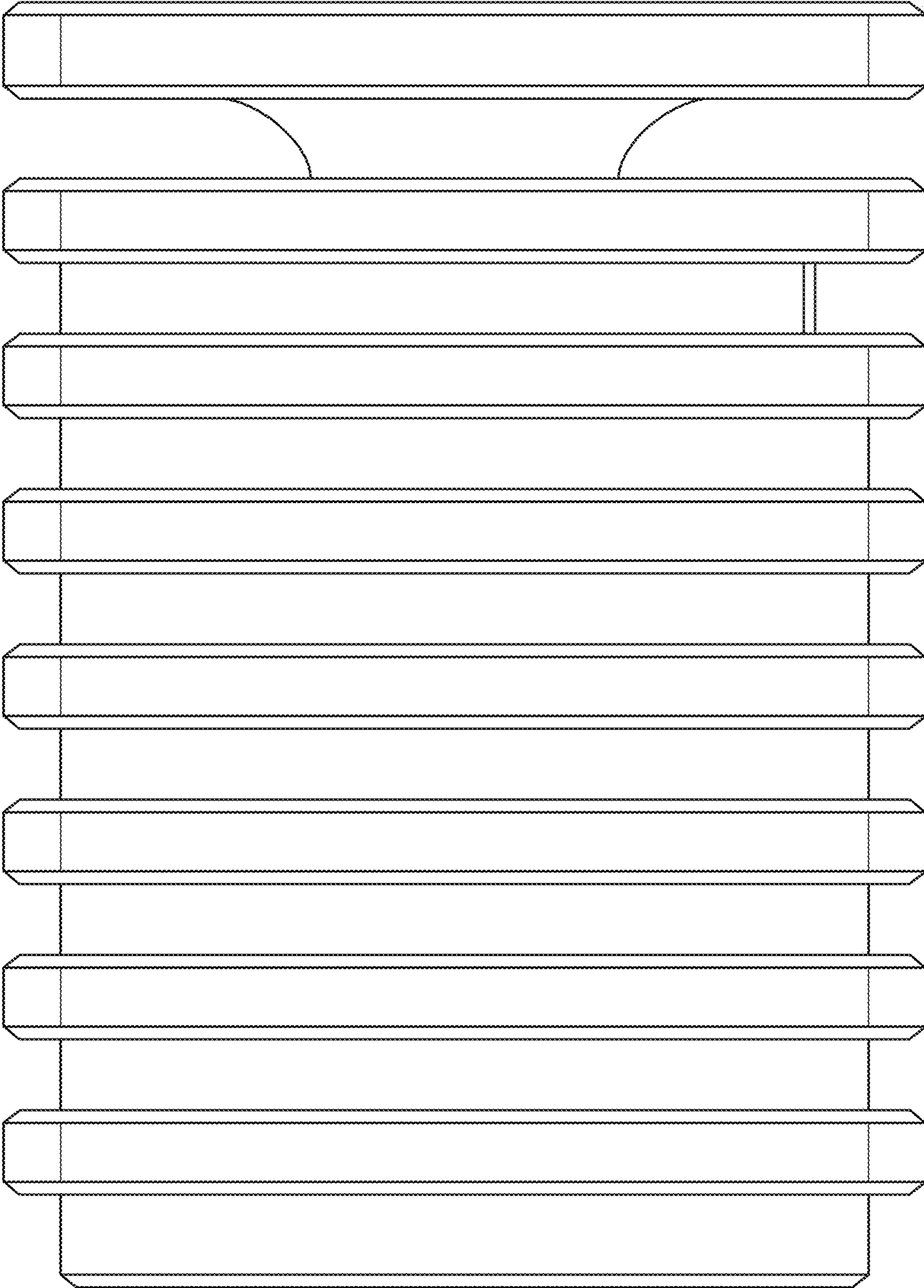


Fig. 3



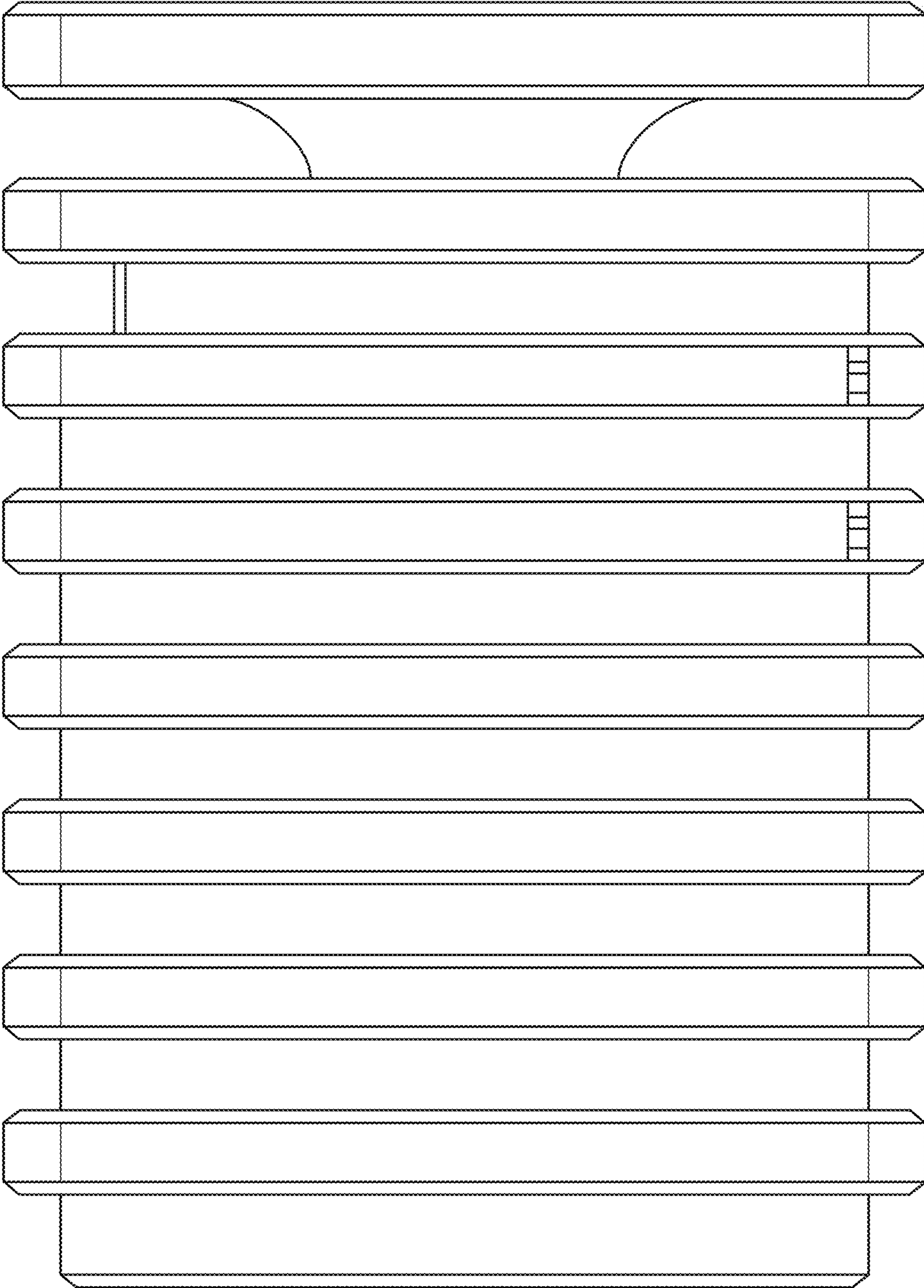


Fig. 4

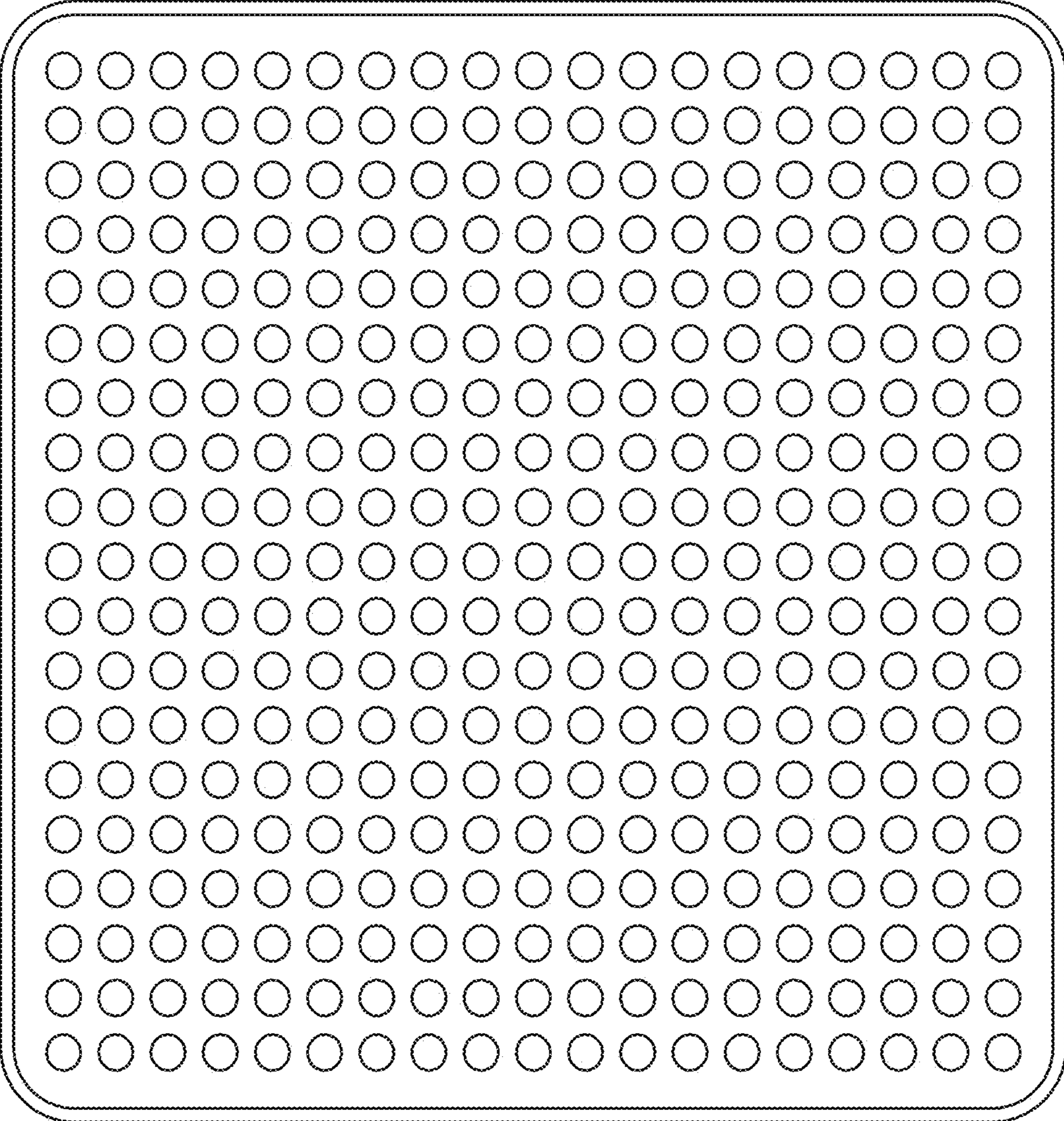


Fig. 5

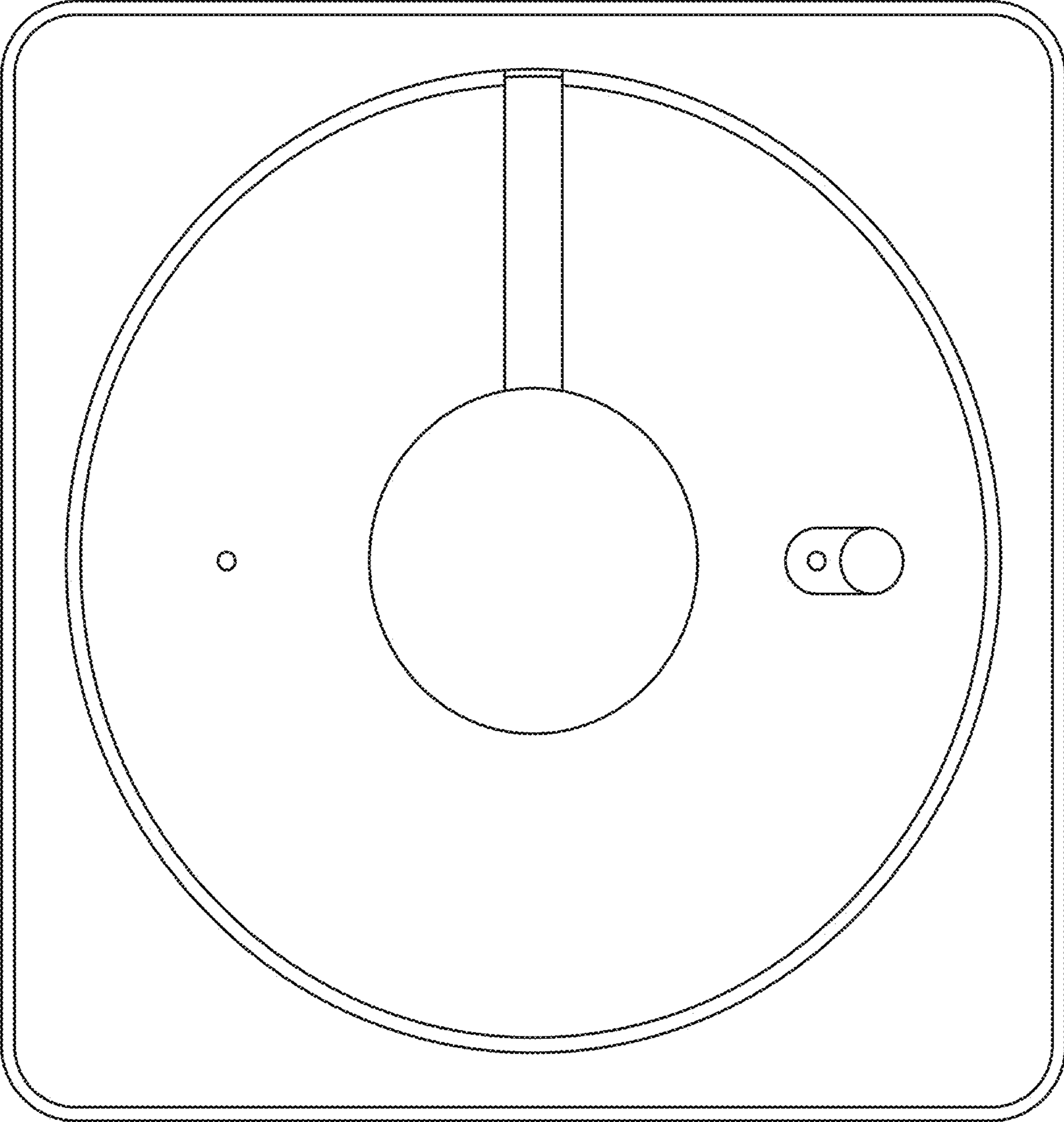


Fig. 6



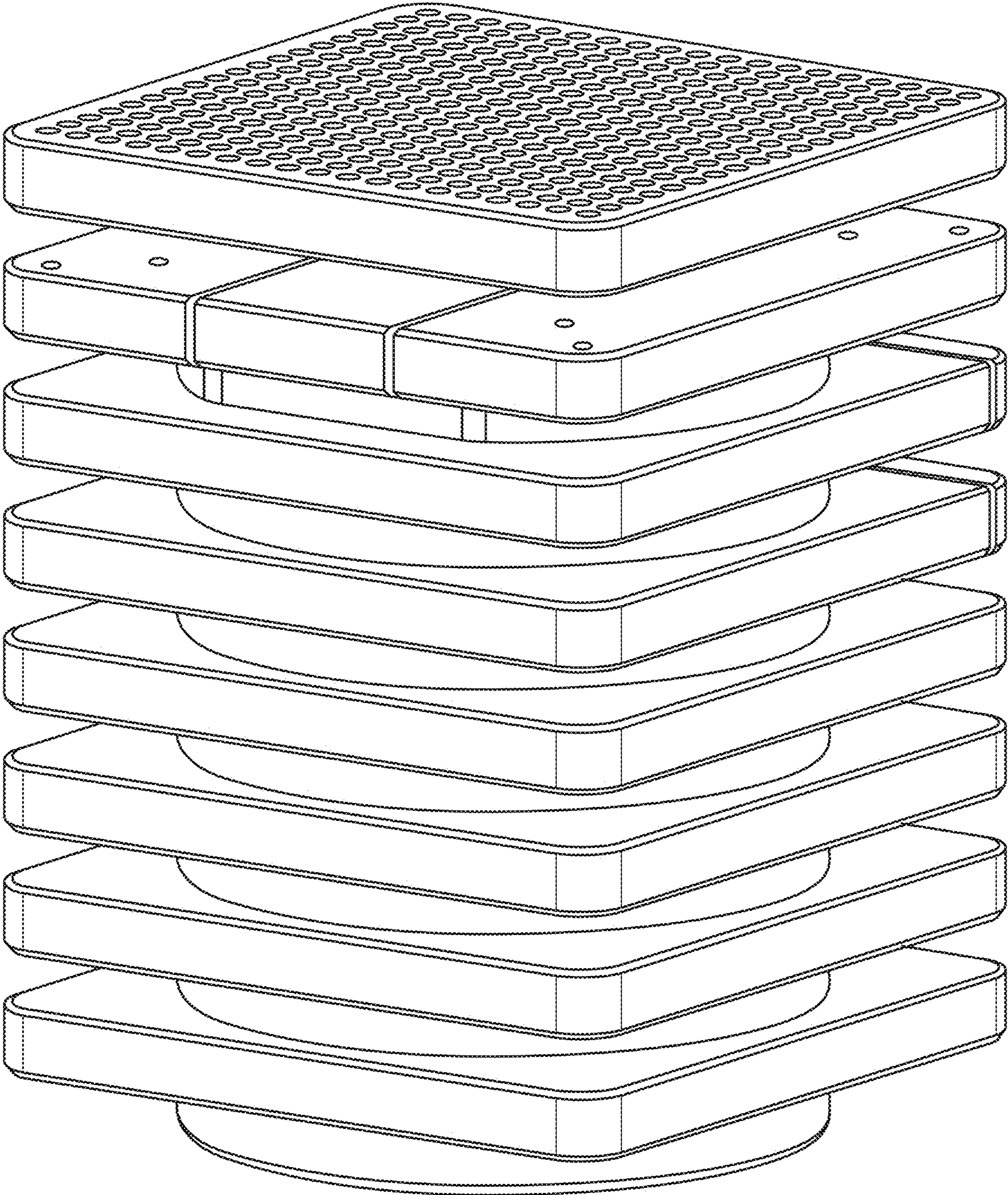


Fig. 7



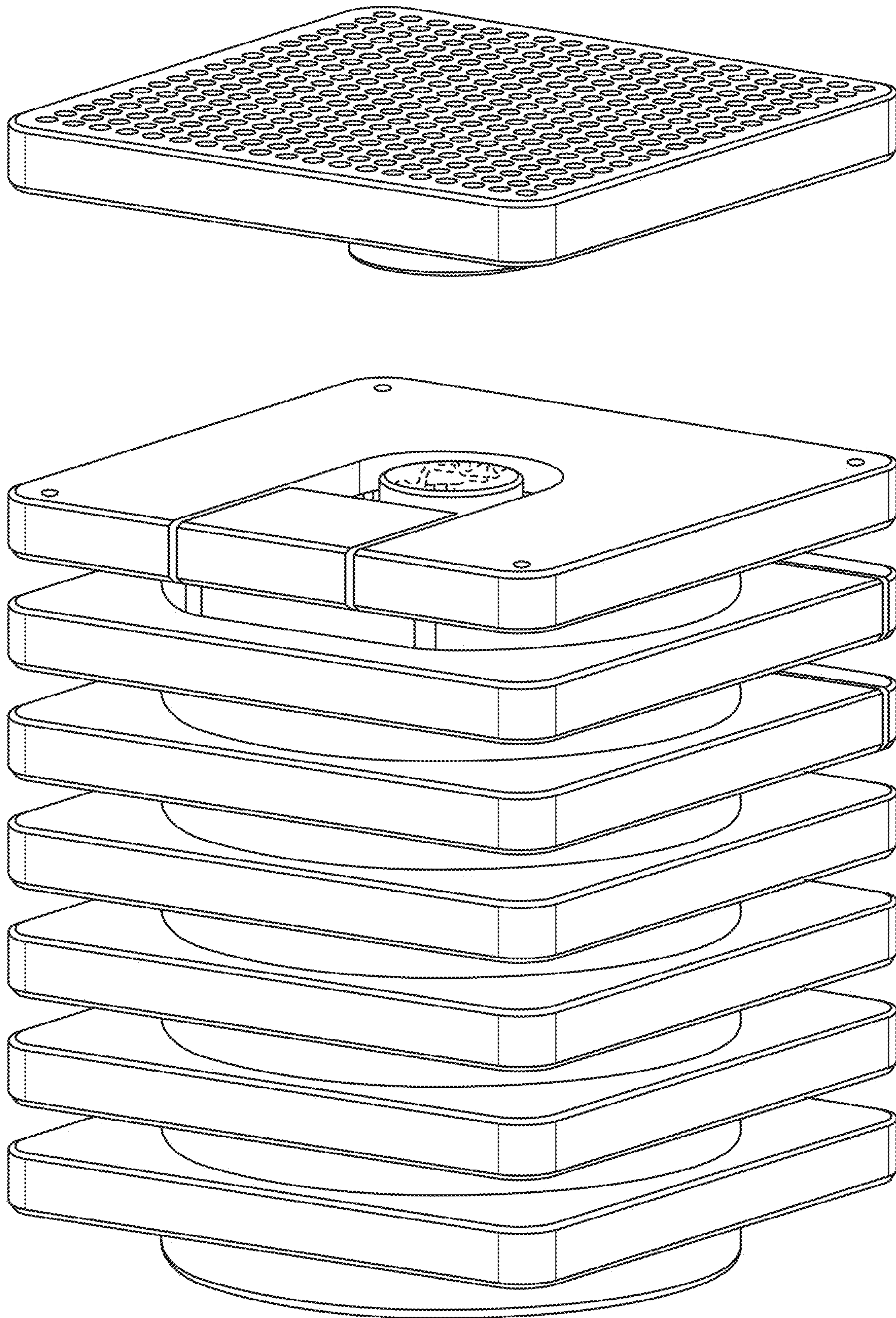


Fig. 8



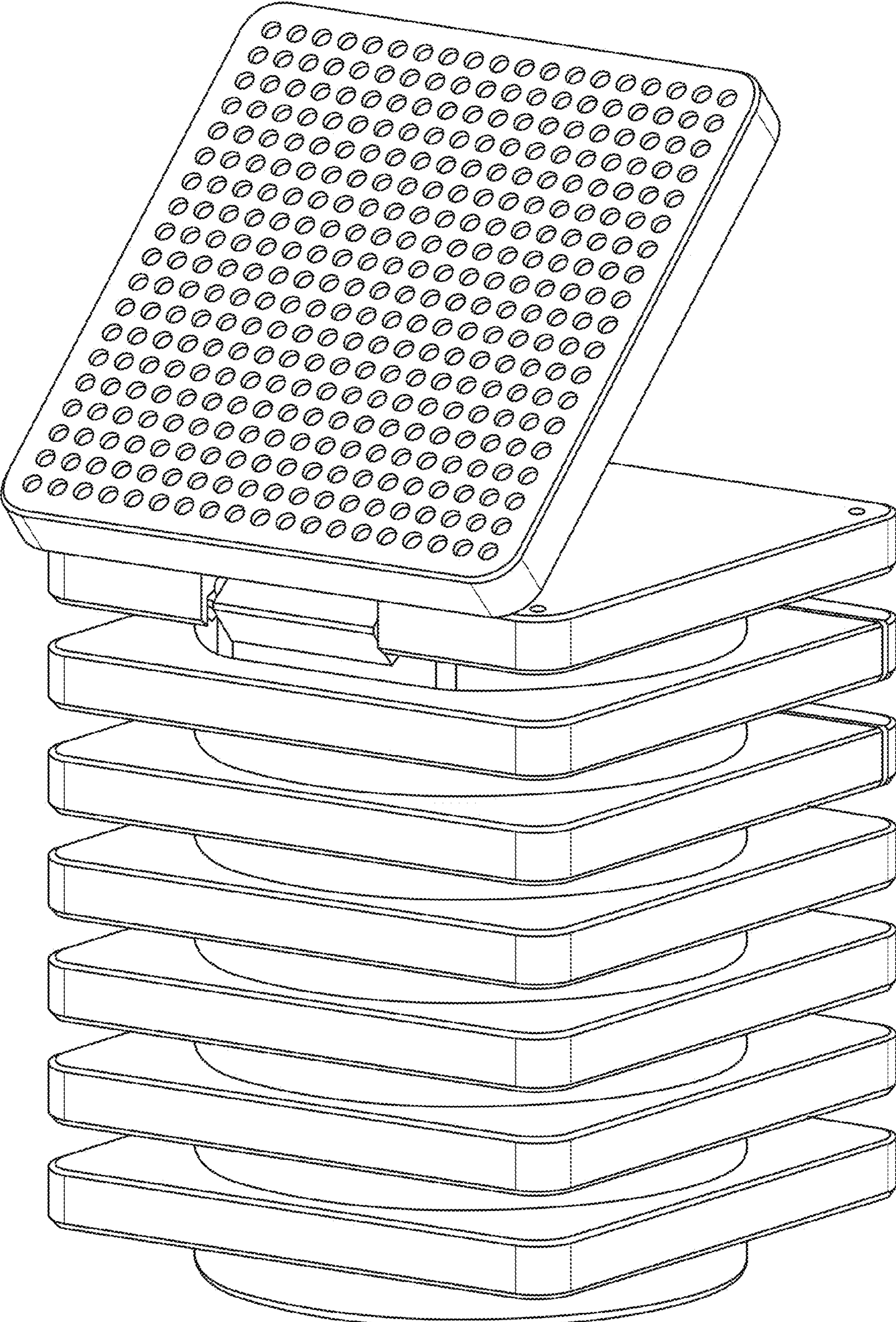


Fig. 9