



US00D879740S

(12) **United States Design Patent**
Wu

(10) **Patent No.:** **US D879,740 S**

(45) **Date of Patent:** **** *Mar. 31, 2020**

(54) **TURNTABLE**

(71) Applicant: **Xingquan Wu**, Guangdong (CN)

(72) Inventor: **Xingquan Wu**, Guangdong (CN)

(*) Notice: This patent is subject to a terminal disclaimer.

(**) Term: **15 Years**

(21) Appl. No.: **29/598,087**

(22) Filed: **Mar. 23, 2017**

(51) **LOC (12) Cl.** **14-01**

(52) **U.S. Cl.**
USPC **D14/203**

(58) **Field of Classification Search**
USPC D14/199-203, 261; 369/264-265
CPC B60R 11/02; B60K 37/04; B60K 37/06;
H04B 1/08; H04B 1/082; G11B 23/00;
G11B 19/16; G11B 19/2009; G11B 17/16
See application file for complete search history.

(56) **References Cited**

U.S. PATENT DOCUMENTS

D220,368 S * 3/1971 Lavow D14/203
D231,681 S * 5/1974 Takahashi et al. D14/203
D231,751 S * 6/1974 Takahashi D14/203
D231,752 S * 6/1974 Takahashi D14/203

D231,798 S * 6/1974 Takahashi D14/203
D247,488 S * 3/1978 Ohtomo D14/202
D249,143 S * 8/1978 Ohtomo D14/203
D252,393 S * 7/1979 Kashidaira D14/203
D253,648 S * 12/1979 Ohtomo D14/203
D265,196 S * 6/1982 Matsumura D14/202
D433,011 S * 10/2000 O'Donnell D14/202
D491,915 S * 6/2004 Warden D14/203
D519,102 S * 4/2006 Liu D14/203
8,707,338 B2 * 4/2014 Ward G11B 23/44
362/35

* cited by examiner

Primary Examiner — Sandra L Morris

(74) *Attorney, Agent, or Firm* — Justin Lampel

(57) **CLAIM**

The ornamental design for a turntable, as shown and described.

DESCRIPTION

FIG. 1 is a perspective view of a turntable showing my new design;

FIG. 2 is a front elevational view thereof;

FIG. 3 is a rear elevational view thereof;

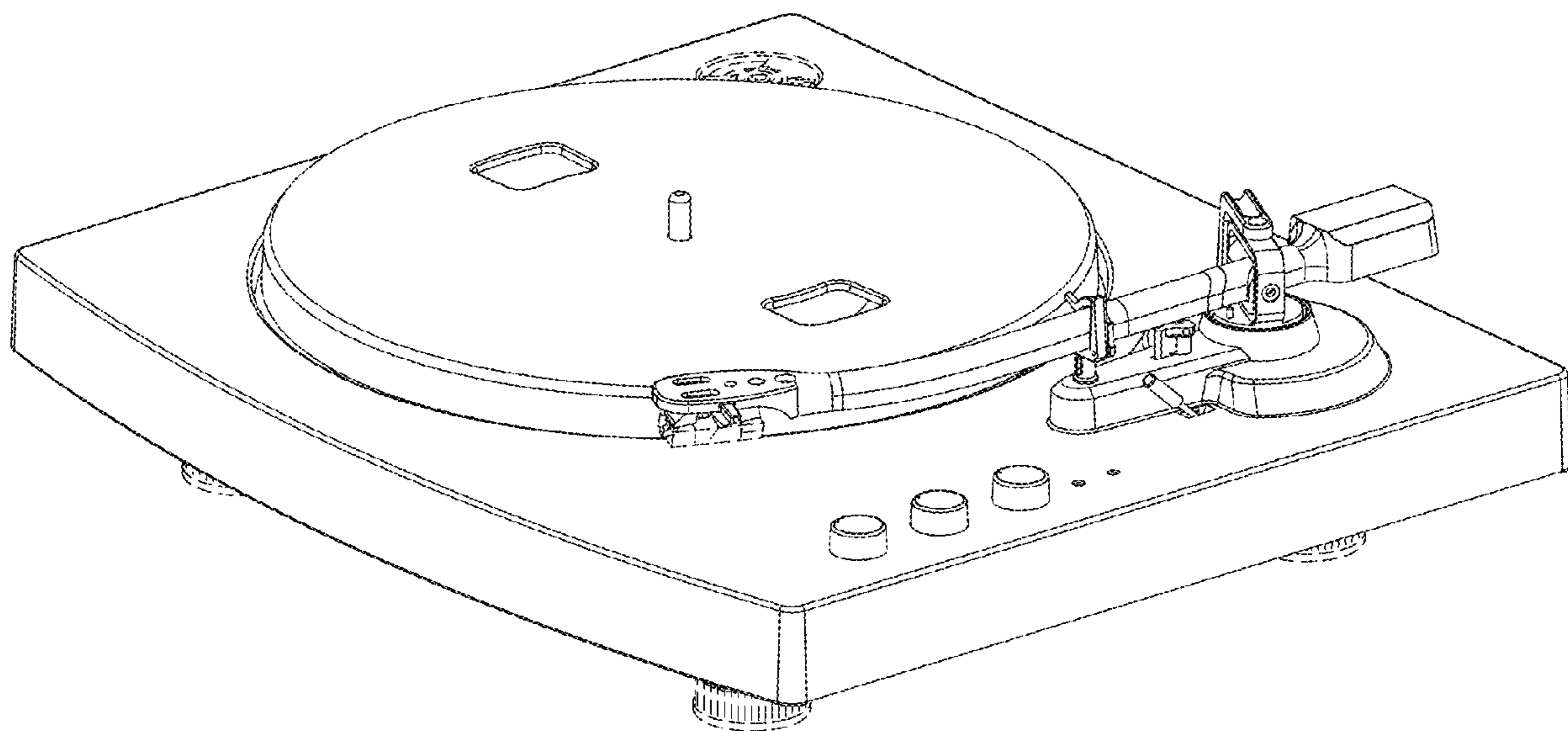
FIG. 4 is a right side view thereof;

FIG. 5 is a left side view thereof; and,

FIG. 6 is a top plan view thereof.

The broken lines are for illustrative purposes only, and forms no part of the claimed design.

1 Claim, 4 Drawing Sheets



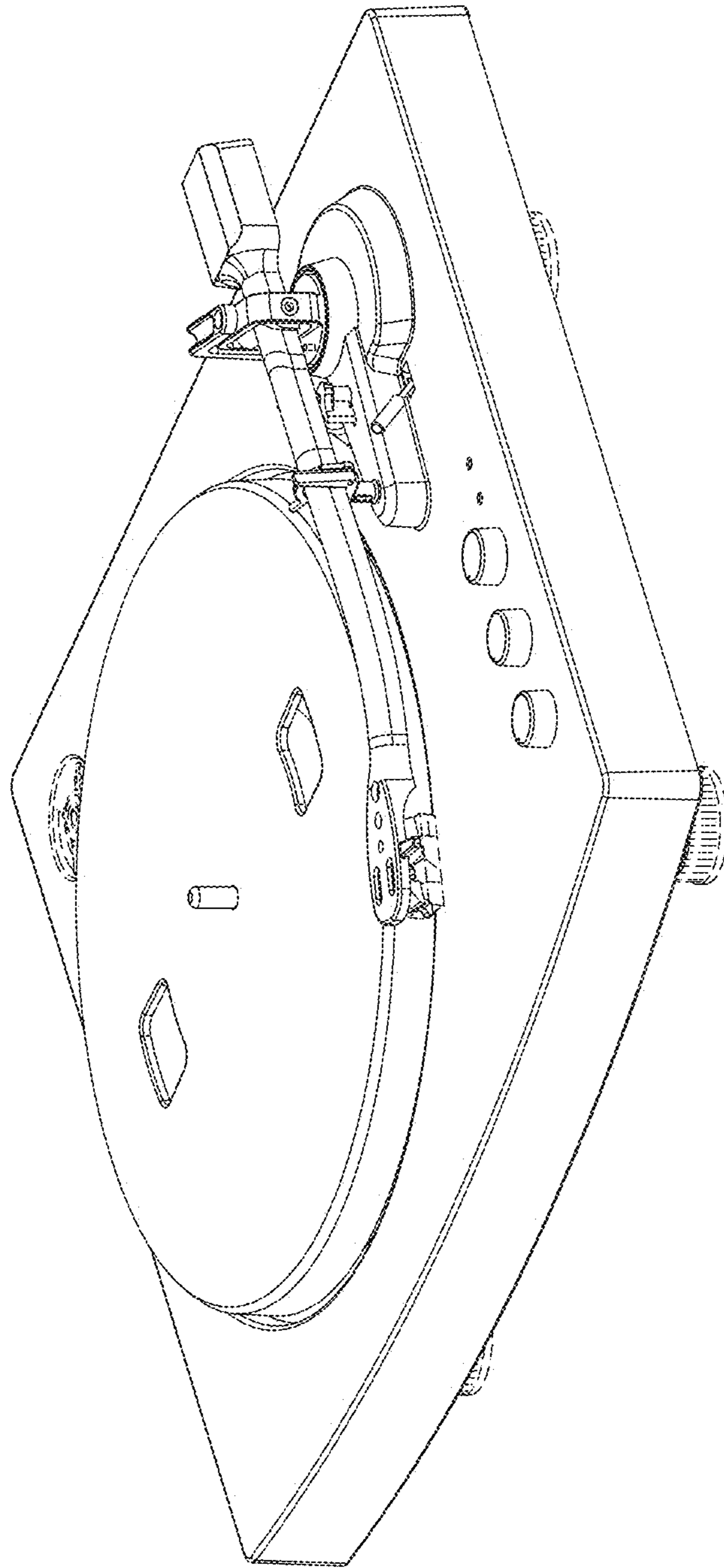


FIG. 1

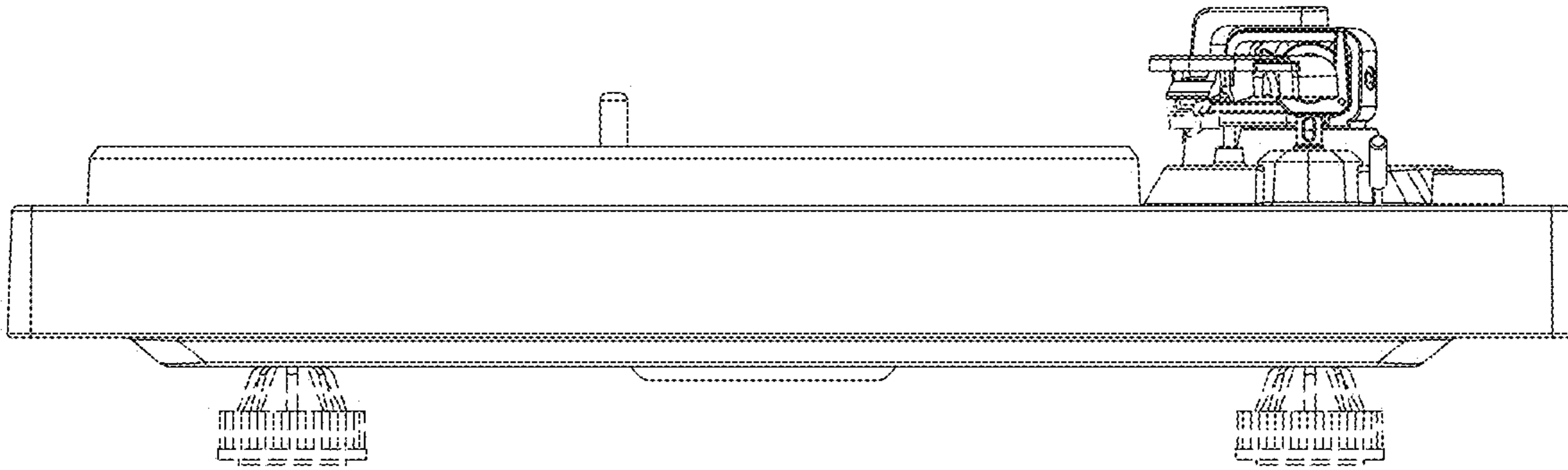


FIG. 2

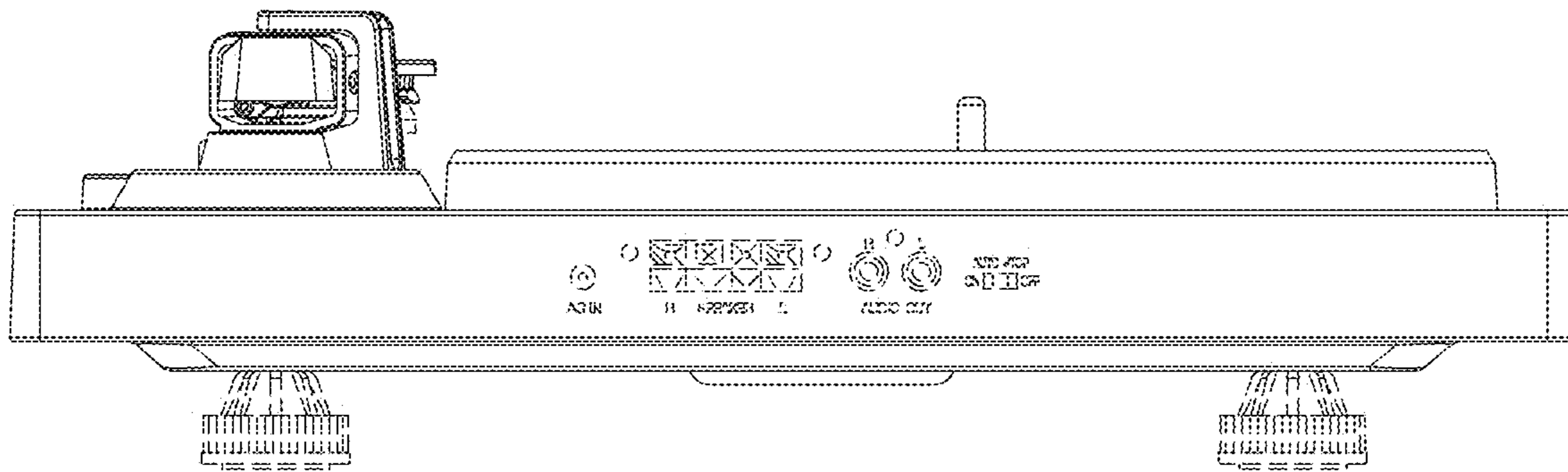


FIG. 3

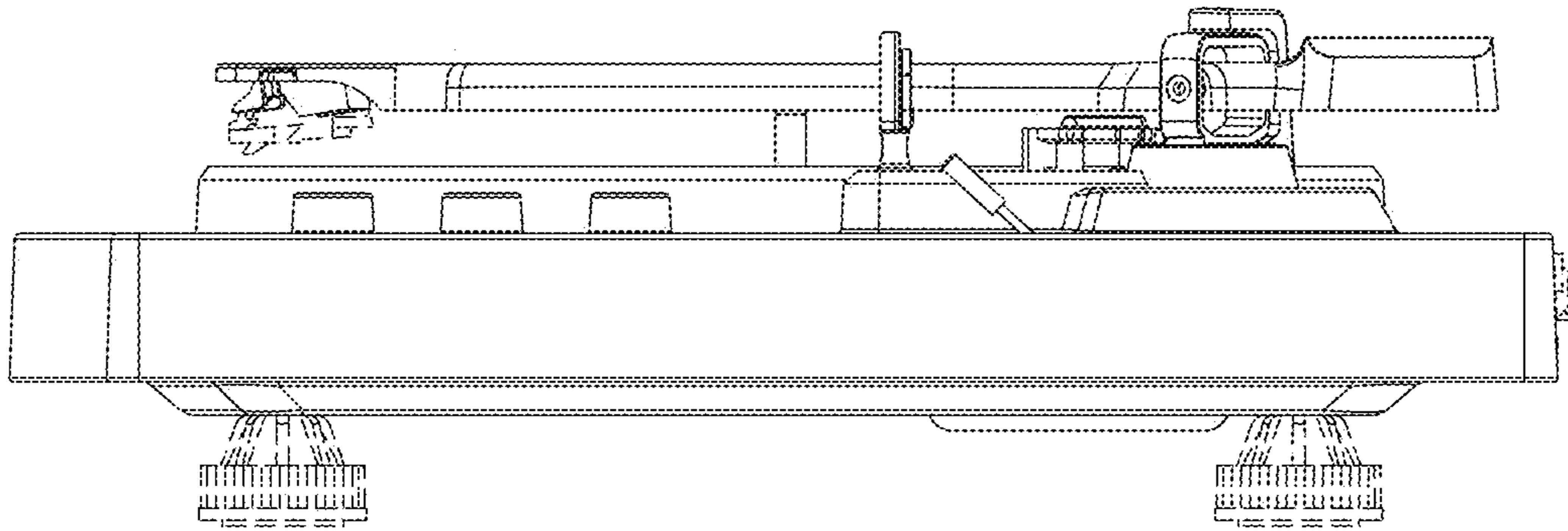


FIG. 4

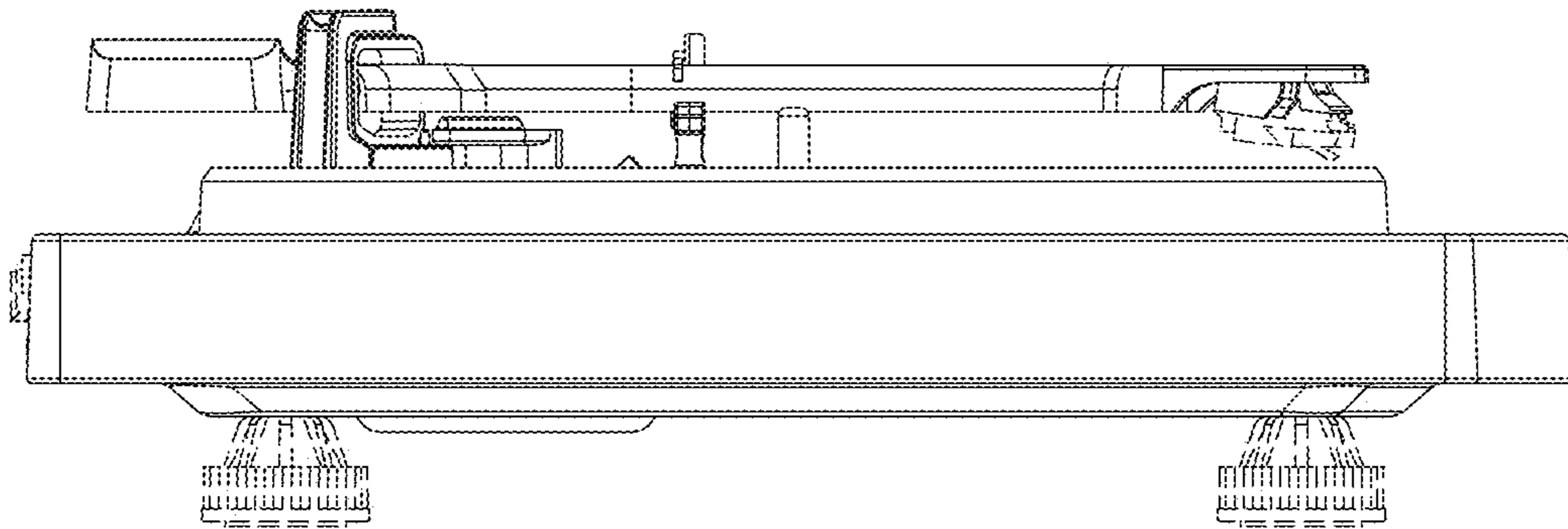


FIG. 5

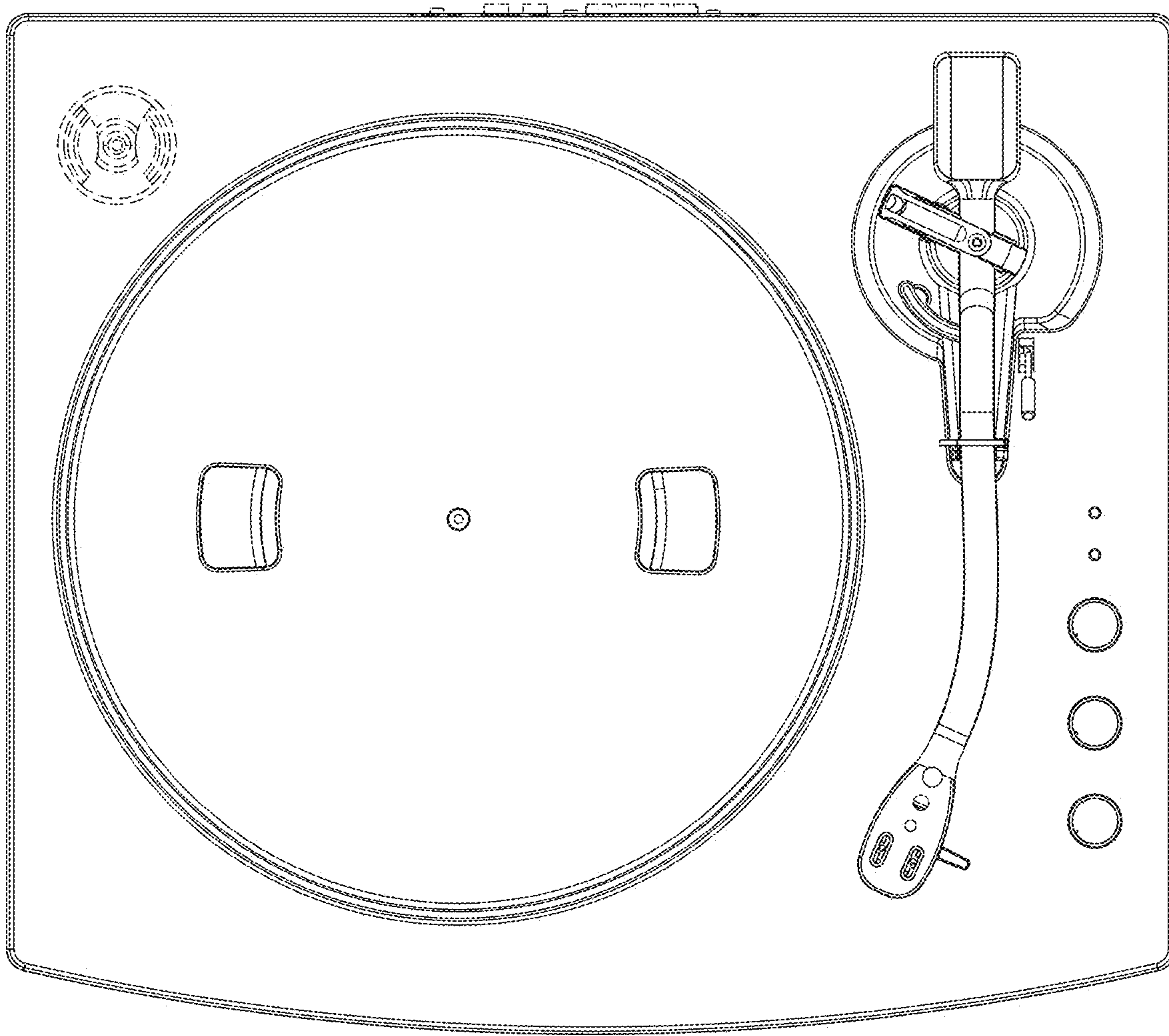


FIG. 6