



US00D879738S

(12) **United States Design Patent**
Guo

(10) **Patent No.:** **US D879,738 S**

(45) **Date of Patent:** **** Mar. 31, 2020**

(54) **AUDIO DEVICE**

2400/00; H04R 2400/07; H04R 2499/11;
H04R 2499/13; H04R 2499/15; H04S
3/00; H04S 7/30

(71) Applicant: **BLACK & DECKER INC.**, New
Britain, CT (US)

See application file for complete search history.

(72) Inventor: **Ron Guo**, ShuCheng (CN)

(56) **References Cited**

(73) Assignee: **BLACK & DECKER INC.**, New
Britain, CT (US)

U.S. PATENT DOCUMENTS

(**) Term: **15 Years**

D479,223 S *	9/2003	Furusho	D14/196
D655,272 S *	3/2012	Kawase	D14/194
D711,354 S *	8/2014	Florczak	D14/215
9,883,265 B2 *	1/2018	Cheney	H04R 1/02
D822,634 S *	7/2018	Zaihui	D14/204

(21) Appl. No.: **29/624,940**

* cited by examiner

(22) Filed: **Nov. 6, 2017**

Primary Examiner — Keli L Hill

(51) **LOC (12) Cl.** **14-03**

(74) *Attorney, Agent, or Firm* — Adan Ayala

(52) **U.S. Cl.**
USPC **D14/188; D14/204**

(57) **CLAIM**

(58) **Field of Classification Search**

The ornamental design for an audio device, as shown and described.

USPC D14/167, 168, 170–172, 188, 194–196,
D14/204, 209.1, 210–216, 219, 221, 222,
D14/224, 239, 496, 162, 169, 175, 179,
D14/197, 198, 217, 257, 265, 299

DESCRIPTION

CPC B60R 11/0217; G06F 1/1688; G10K 9/22;
G10K 11/004; H03F 1/327; H04M 1/03;
H04M 1/035; H04N 5/642; H04N
21/4852; H04R 1/02; H04R 1/06; H04R
1/021; H04R 1/025; H04R 1/026; H04R
1/028; H04R 1/105; H04R 1/323; H04R
1/403; H04R 1/2803; H04R 1/2834;
H04R 5/02; H04R 7/20; H04R 9/06;
H04R 9/025; H04R 2201/021; H04R

FIG. 1 is a front perspective view of an audio device according to the invention.

FIG. 2 is a front view of the audio device of FIG. 1.

FIG. 3 is a rear view of the audio device of FIG. 1.

FIG. 4 is a left side view of the audio device of FIG. 1.

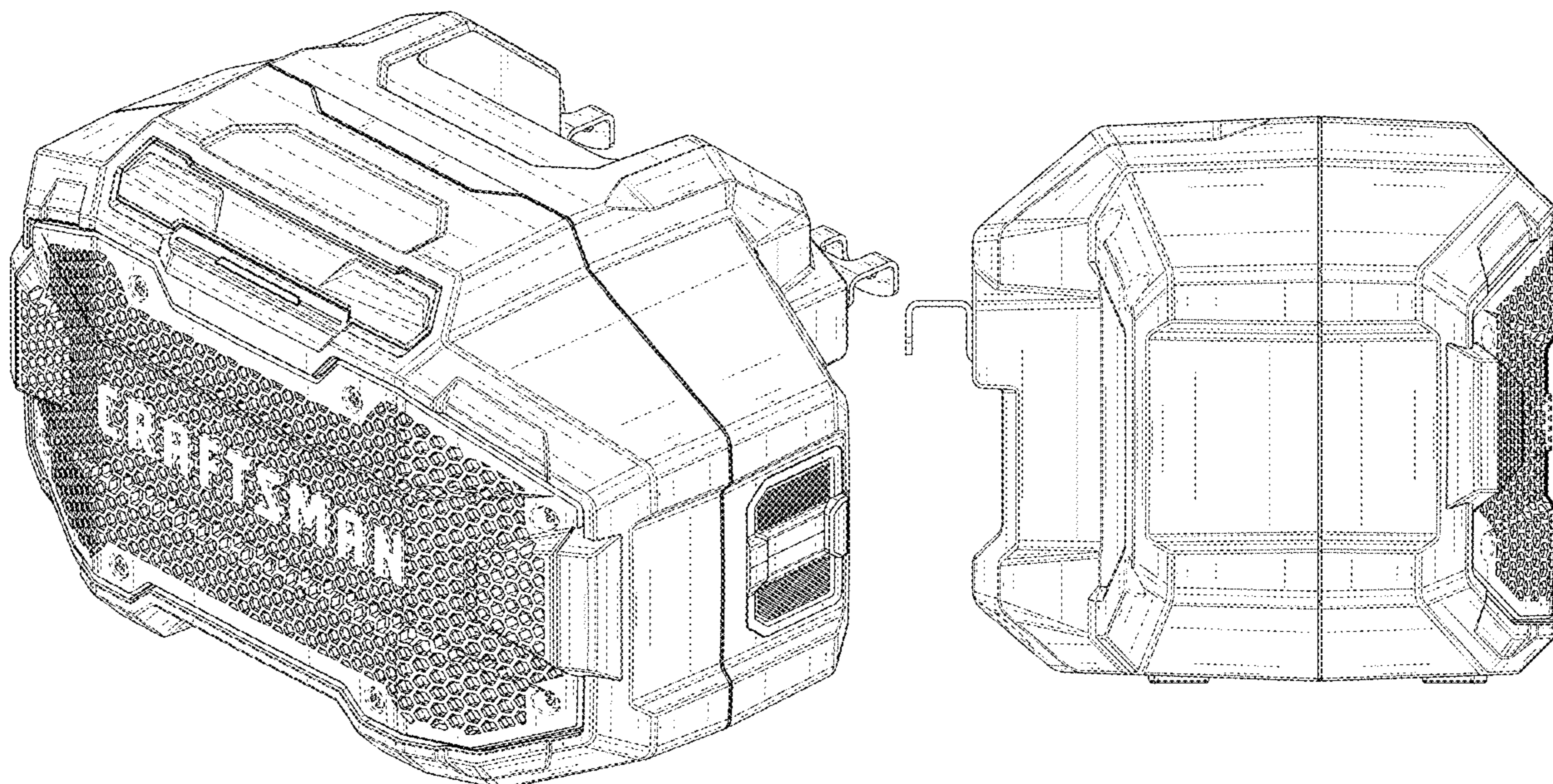
FIG. 5 is a right side view of the audio device of FIG. 1.

FIG. 6 is a top plan view of the audio device of FIG. 1; and,

FIG. 7 is a bottom plan view of the audio device of FIG. 1.

The portions shown in broken line do not form part of the claimed design.

1 Claim, 7 Drawing Sheets



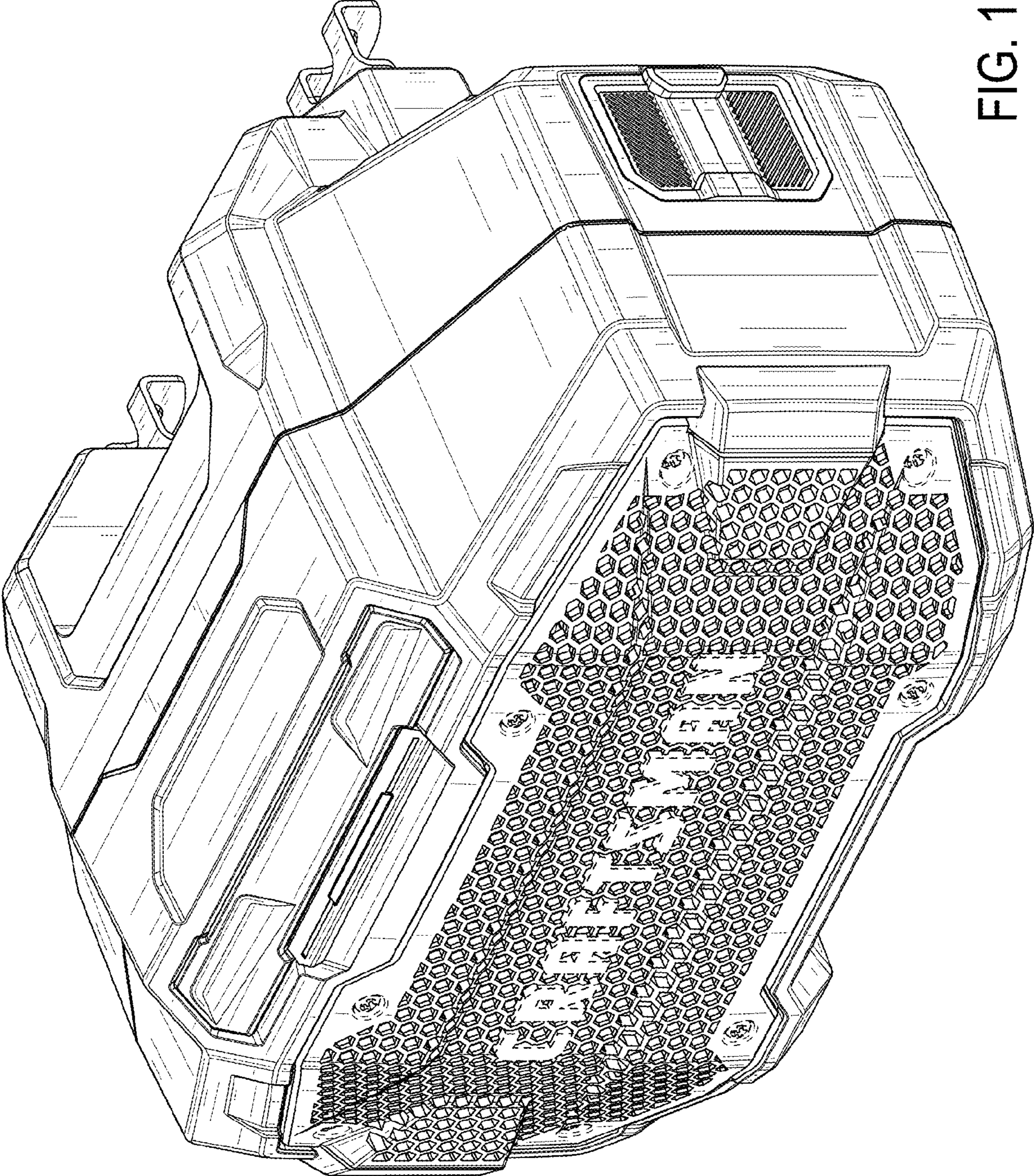


FIG. 1

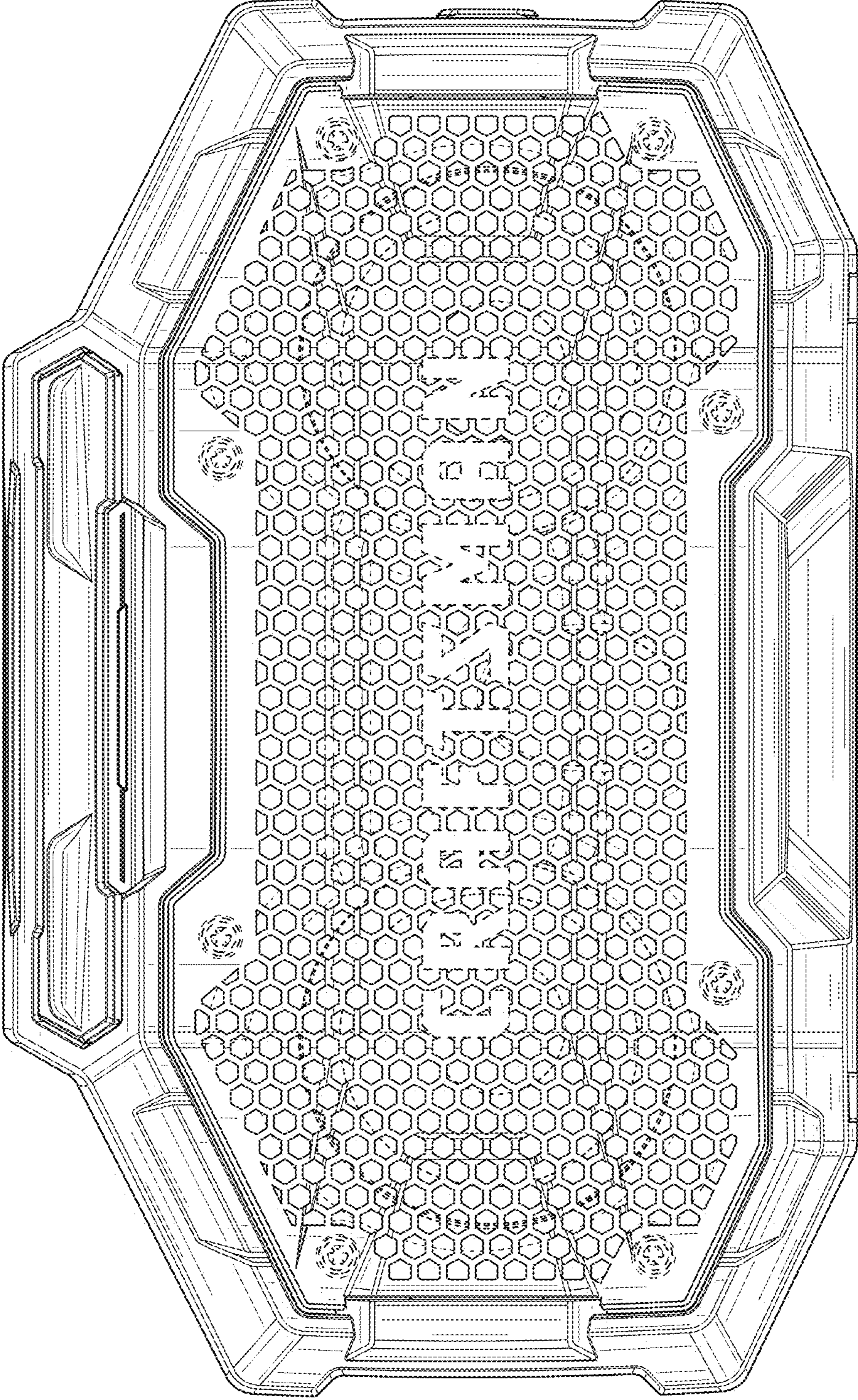


FIG. 2

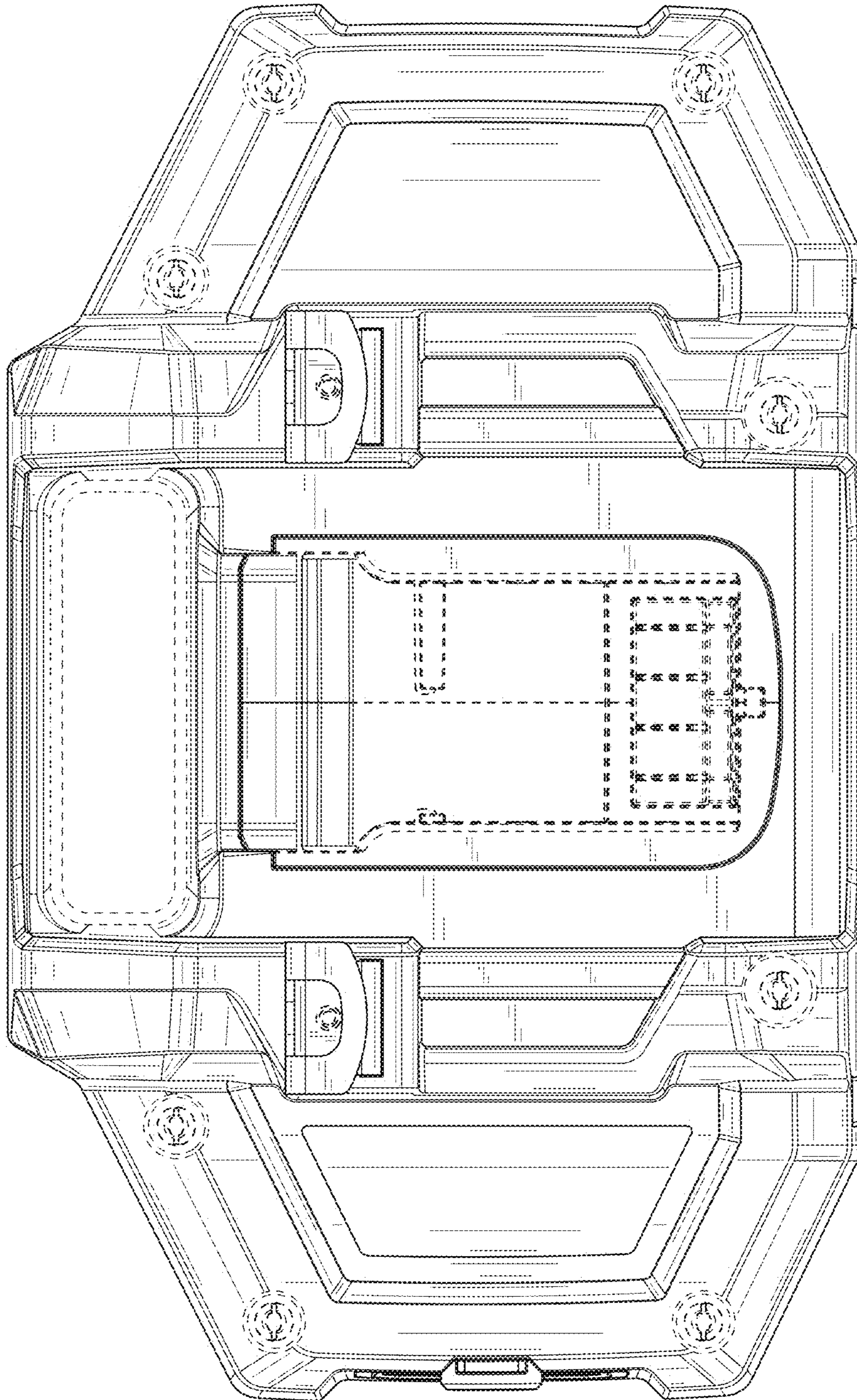


FIG. 3

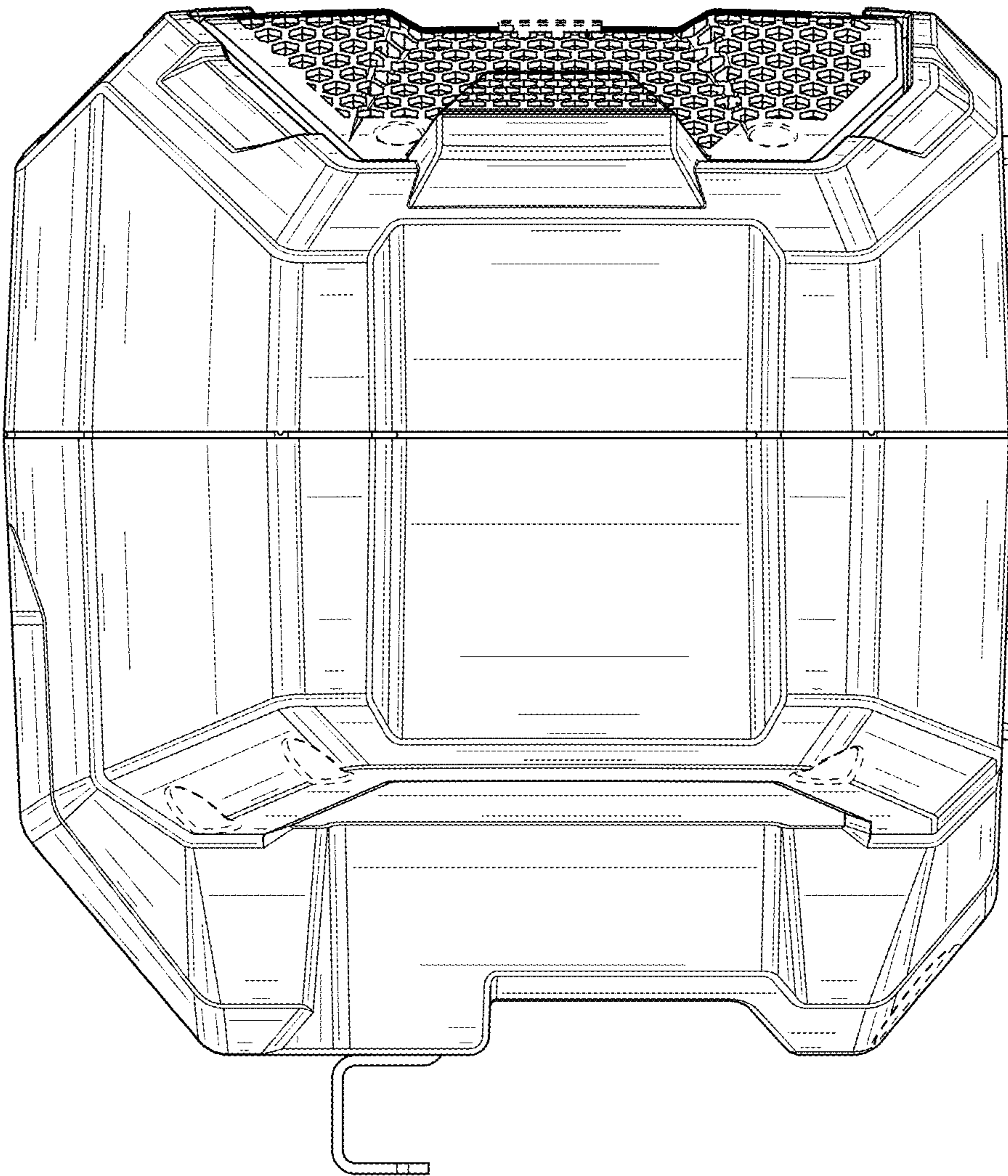


FIG. 4

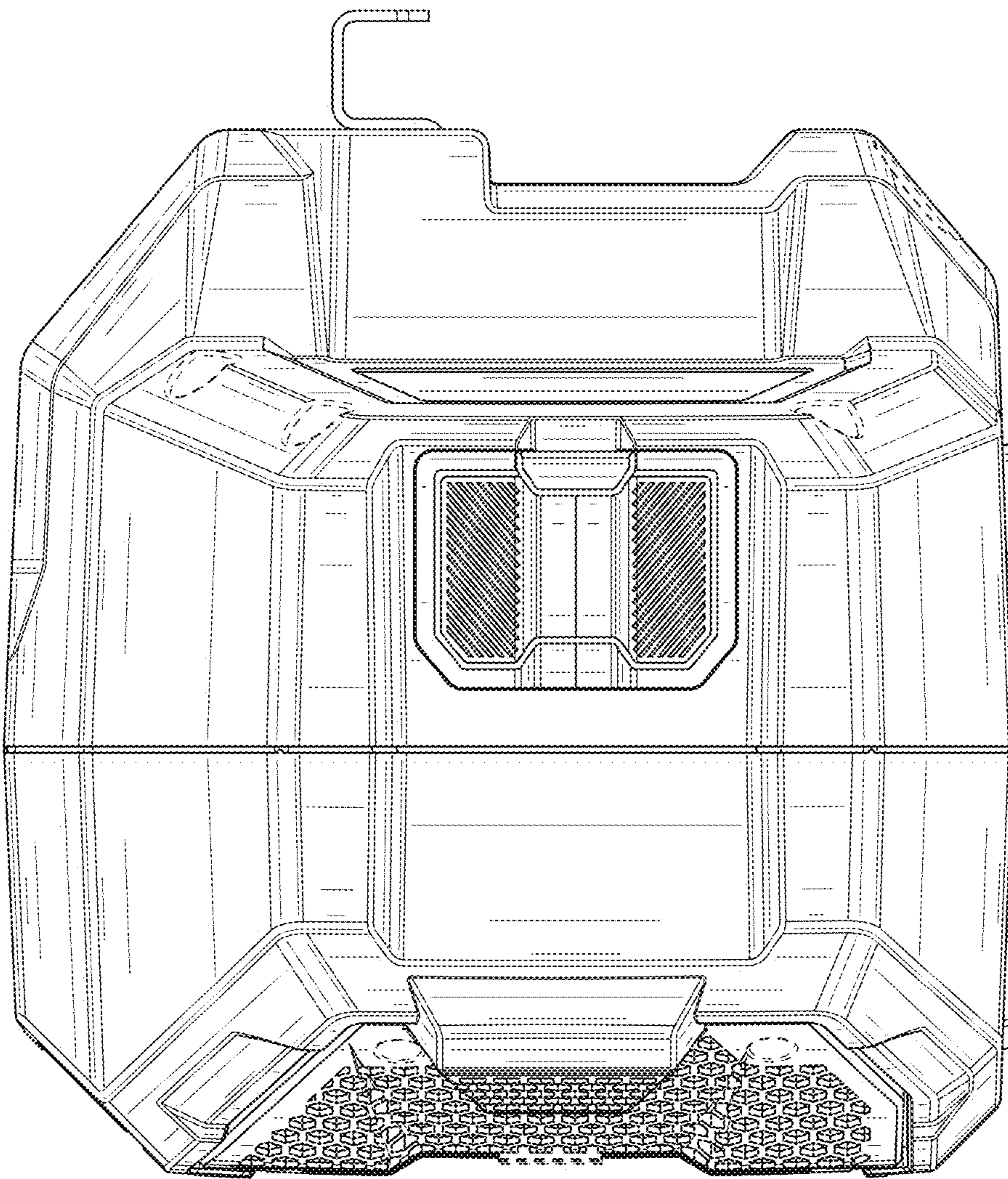


FIG. 5

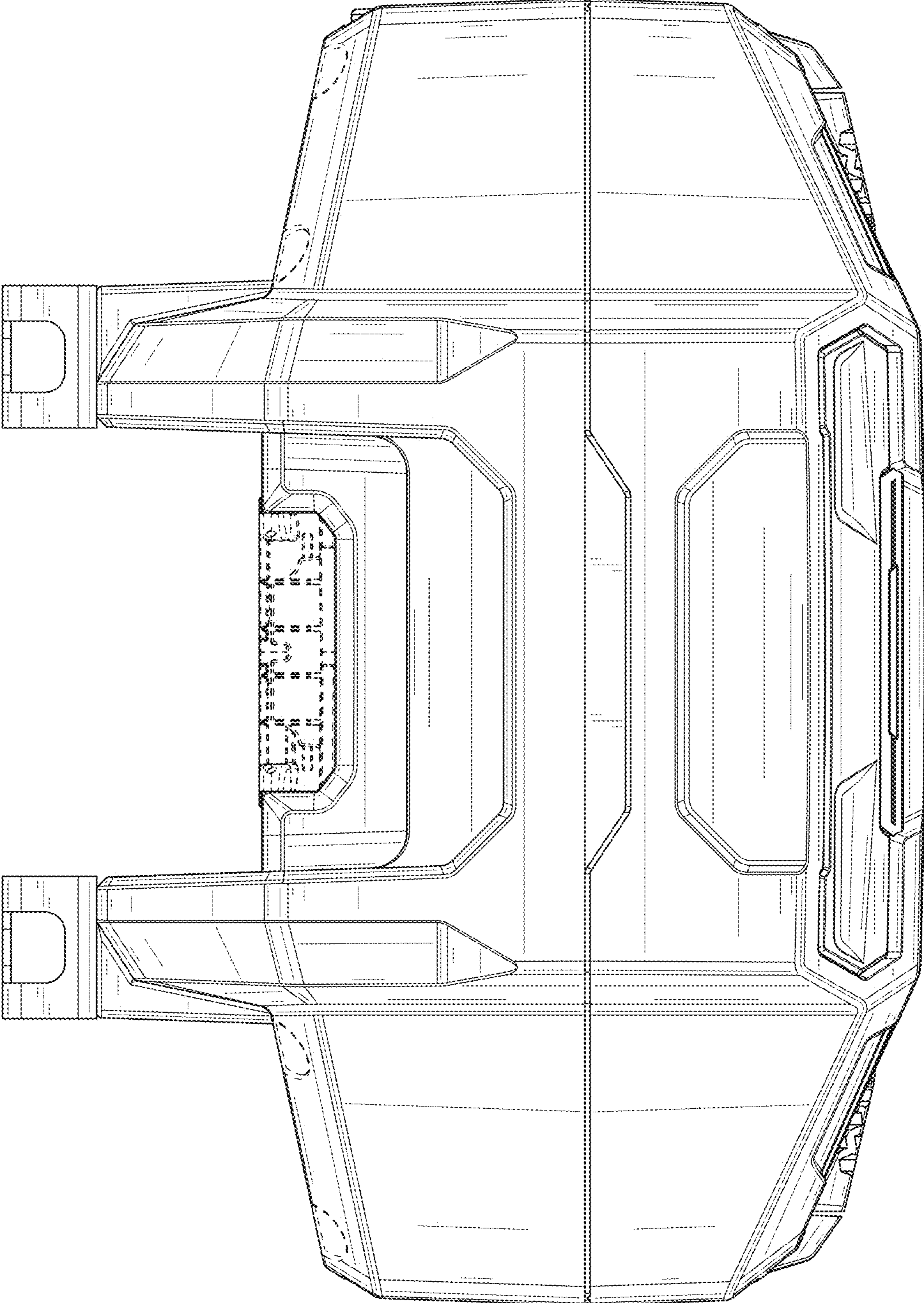


FIG. 6

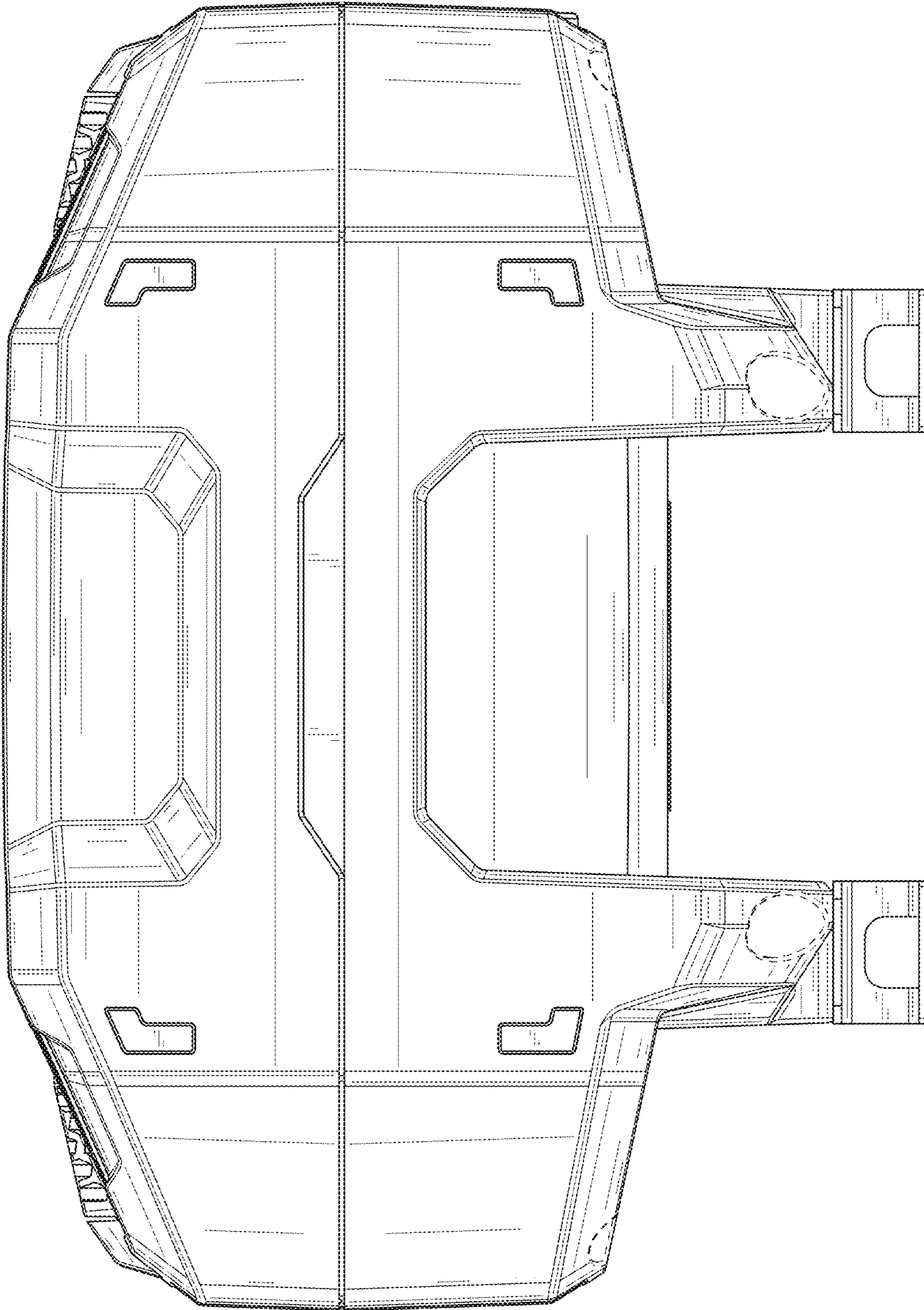


FIG. 7