



(12) **United States Design Patent** (10) **Patent No.:** **US D879,737 S**
Suzuki (45) **Date of Patent:** **** Mar. 31, 2020**

- (54) **SPEAKERPHONE**
- (71) Applicant: **Yamaha Corporation**, Shizuoka (JP)
- (72) Inventor: **Toshihide Suzuki**, Shizuoka (JP)
- (73) Assignee: **YAMAHA CORPORATION**, Shizuoka (JP)
- (**) Term: **15 Years**
- (21) Appl. No.: **29/704,776**
- (22) Filed: **Sep. 6, 2019**

Related U.S. Application Data

- (62) Division of application No. 29/630,278, filed on Dec. 20, 2017, now Pat. No. Des. 863,247.

(30) **Foreign Application Priority Data**

- Jul. 6, 2017 (JP) 2017-014628
 Jul. 6, 2017 (JP) 2017-014629
- (51) **LOC (12) Cl.** **14-03**
- (52) **U.S. Cl.**
 USPC **D14/149**; D14/216
- (58) **Field of Classification Search**
 USPC D14/140, 140.1, 141.1, 142, 144, 147, D14/149, 150, 155, 168, 172, 204, 206, D14/209.1, 212, 213, 215, 216, 248, 249, D14/299, 496, 226, 356, 358, 432, 454, D14/192, 221, 127-130, 211; D10/104.1, D10/106.1, 106.3, 106.5
 CPC H04M 1/00; H04M 1/026; H04M 1/04; H04M 1/6033; H04M 1/60041; H04M 3/02; H04M 3/005; H04M 3/56; H04M 3/564; H04M 3/568; H04M 9/02; H04M 9/022; H04M 9/08; H04R 1/00; H04R 1/02; H04R 1/403; H04R 1/406; H04R 27/00

See application file for complete search history.

(56) **References Cited**

U.S. PATENT DOCUMENTS

- D230,159 S 1/1974 Genaro
 D264,211 S 5/1982 Hillmer
 D274,048 S 5/1984 Wong
 D280,987 S 10/1985 Todeschini
 D292,283 S 10/1987 Matsuda
 4,875,234 A 10/1989 Tragatschnig
 D315,562 S 3/1991 Brown
 D317,768 S 6/1991 Davidson
 D323,327 S 1/1992 Davidson
 D346,598 S 5/1994 McCay
 D352,944 S 11/1994 Lee
 D353,138 S 12/1994 Huang

(Continued)

OTHER PUBLICATIONS

(Design—© Questel) orbit.com.[online PDF] 29 pgs. Print Dates Range Feb. 3, 2017through May 16, 2018 [Retrieved Jan. 31, 2019] <https://sobjprd.questel.fr/export/QPTUJ214/pdf2/f6abca0b-6455-4851-afe0-ee2d88b3707b-205901.pdf>.

(Continued)

Primary Examiner — Marie D. Fast Horse

(74) *Attorney, Agent, or Firm* — Nixon & Vanderhye PC

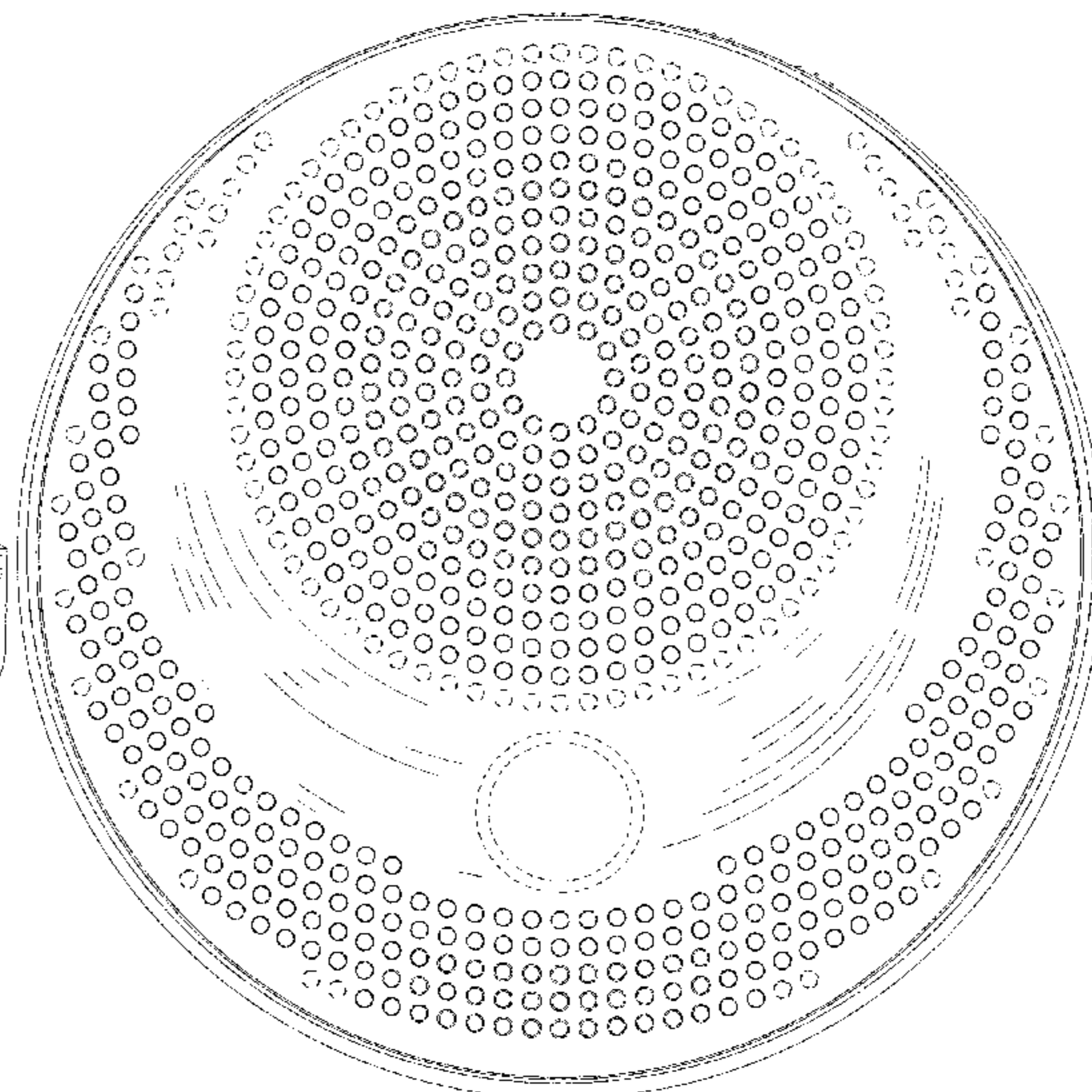
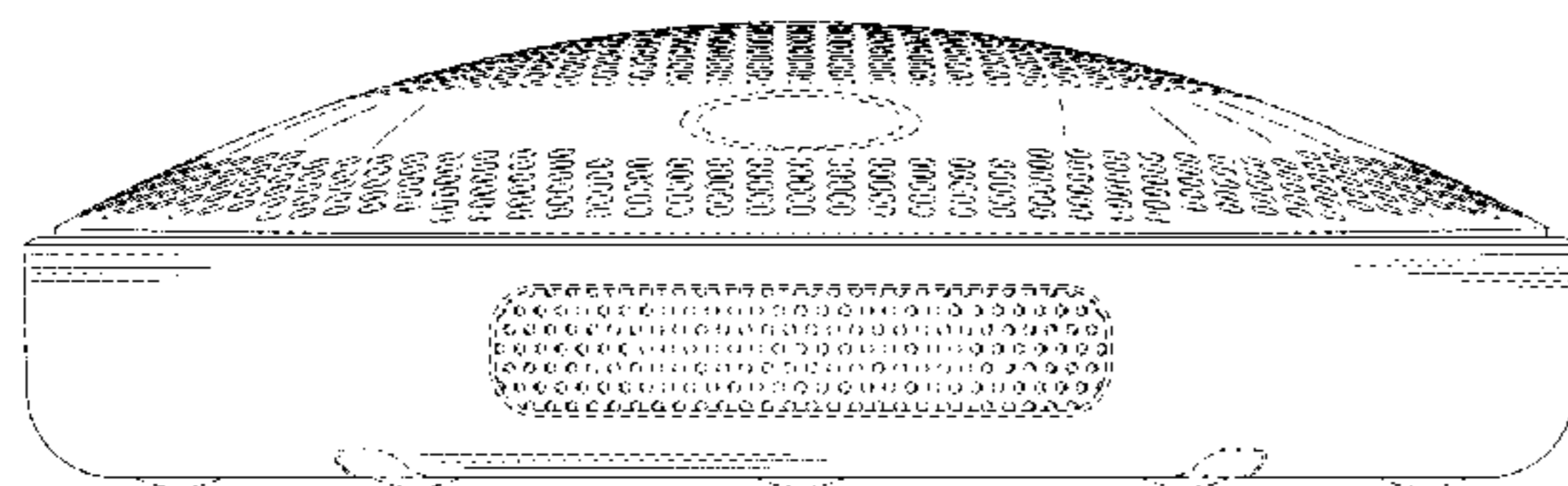
(57) **CLAIM**

The ornamental design for a speakerphone, as shown and described.

DESCRIPTION

FIG. 1 is a front view of a speakerphone showing my new design;
 FIG. 2 is a back view thereof;
 FIG. 3 is a top view thereof;
 FIG. 4 is a bottom view thereof;
 FIG. 5 is a right view thereof; and,
 FIG. 6 is a left view thereof.
 The broken lines shown in the figures depict portions of the speakerphone that form no part of the claimed design.

1 Claim, 6 Drawing Sheets



(56)

References Cited

U.S. PATENT DOCUMENTS

D355,416 S 2/1995 McCay
 D367,274 S 2/1996 Gobindram
 D371,126 S 6/1996 Bro
 D382,265 S 8/1997 Bradley
 D396,716 S 8/1998 Matsuda
 D412,676 S * 8/1999 Layes D10/106.6
 D417,215 S * 11/1999 Kokkinis D14/171
 6,016,346 A 1/2000 Rittmueller
 D422,522 S 4/2000 Lin
 D426,533 S 6/2000 Hughes
 D430,549 S 9/2000 Du
 D434,747 S 12/2000 Bird
 D444,777 S 7/2001 Bird
 D457,150 S 5/2002 Chen
 D461,179 S 8/2002 Christianson
 D474,169 S 5/2003 Fletcher
 D475,942 S 6/2003 Job
 D481,370 S 10/2003 Popowski
 D495,676 S 9/2004 Slevin
 D498,224 S 11/2004 Breton
 D499,392 S 12/2004 Bathurst
 D510,571 S 10/2005 Cutler
 D521,512 S 5/2006 Kunzi
 D525,231 S 7/2006 McMillen
 D536,327 S 2/2007 Lukic
 D537,072 S 2/2007 Kim
 D542,273 S 5/2007 Park
 D545,295 S 6/2007 Peterson
 D545,805 S 7/2007 Peterson
 D545,806 S 7/2007 Peterson
 D545,807 S 7/2007 Peterson
 D545,808 S 7/2007 Peterson
 D557,248 S 12/2007 Wada
 D560,209 S 1/2008 Kim
 D566,095 S 4/2008 Davis
 D566,680 S 4/2008 Freed
 D566,682 S 4/2008 Marash
 D568,304 S 5/2008 Park
 D577,009 S 9/2008 Wilson
 D584,295 S 1/2009 Kellar
 7,480,502 B2 1/2009 Biddulph
 D585,892 S 2/2009 Urban
 D591,269 S 4/2009 Kim
 D596,159 S 7/2009 Yamaji
 D596,622 S 7/2009 Lee
 D598,003 S 8/2009 Park
 D606,517 S 12/2009 Nousiainen
 D612,832 S 3/2010 Li
 7,912,211 B1 3/2011 Lambert
 D644,211 S * 8/2011 Hao D14/225
 D645,818 S 9/2011 Guccione
 8,019,076 B1 9/2011 Lambert
 D651,192 S 12/2011 Timmer
 8,077,857 B1 12/2011 Lambert
 D656,130 S 3/2012 Bailey
 D666,575 S 9/2012 Marsh
 D677,646 S 3/2013 Kellar
 D682,805 S 5/2013 Rath
 D685,773 S 7/2013 Katarow
 D692,847 S 11/2013 Barley
 D697,051 S 1/2014 Adams
 8,761,413 B2 6/2014 Ishibashi

D711,345 S 8/2014 Liu
 D716,772 S 11/2014 Cavero
 D723,461 S 3/2015 Chen
 D728,507 S 5/2015 Brandis
 D731,996 S 6/2015 Border
 D743,383 S 11/2015 Hinokio
 D746,269 S 12/2015 Chen
 D752,014 S 3/2016 Bolmstrand
 D752,531 S 3/2016 Xu
 D756,955 S 5/2016 Wagner
 D756,957 S 5/2016 Nylen
 D770,417 S 11/2016 Chen
 D771,512 S 11/2016 Kalyan
 D771,600 S 11/2016 Hinokio
 D773,332 S 12/2016 Kalyan
 D775,537 S 1/2017 Kikstra
 D780,150 S 2/2017 Border
 D784,963 S 4/2017 Saule
 D790,510 S 6/2017 Xiao
 D794,598 S 8/2017 Clerc
 D794,599 S 8/2017 Reed
 D797,704 S 9/2017 Fischer
 D801,305 S 10/2017 Vaclavik
 D801,308 S 10/2017 Ahn
 D801,309 S 10/2017 Ahn
 9,793,869 B1 10/2017 Snyder
 D803,191 S 11/2017 Luo
 D807,327 S 1/2018 Xiong
 D811,361 S 2/2018 Peng
 D814,436 S 4/2018 Wen
 D816,052 S 4/2018 Pallakoff
 D819,600 S 6/2018 Jeon
 D822,004 S 7/2018 Tan
 D822,717 S 7/2018 Lim
 D825,529 S 8/2018 Huang
 D828,330 S 9/2018 Nylen
 D828,331 S 9/2018 Li
 D828,333 S 9/2018 Hu
 D829,242 S 9/2018 Laine
 D829,690 S 10/2018 Chen
 D832,306 S 10/2018 Liao
 D832,821 S 11/2018 Jeon
 D832,995 S * 11/2018 Mason D24/109
 D834,567 S 11/2018 Snyder
 D834,771 S 11/2018 Theno
 D840,966 S * 2/2019 Cheney D14/204
 D845,924 S * 4/2019 Pedersen D14/149
 D856,298 S * 8/2019 Border D14/150
 D856,961 S * 8/2019 Suzuki D14/149
 D859,350 S * 9/2019 Pedersen D14/149
 D863,247 S * 10/2019 Suzuki D14/149
 2009/0002476 A1 1/2009 Cutler
 2012/0224714 A1 9/2012 Couse
 2013/0028457 A1 1/2013 Yeh
 2014/0112494 A1 4/2014 Lee
 2015/0334480 A1 11/2015 Yang
 2015/0339896 A1 11/2015 Stagg
 2017/0195763 A1 7/2017 Cheney
 2018/0176670 A1 6/2018 Nakatsukasa

OTHER PUBLICATIONS

Design U.S. Appl. No. 29/630,278, filed Dec. 20, 2017, Suzuki.

* cited by examiner

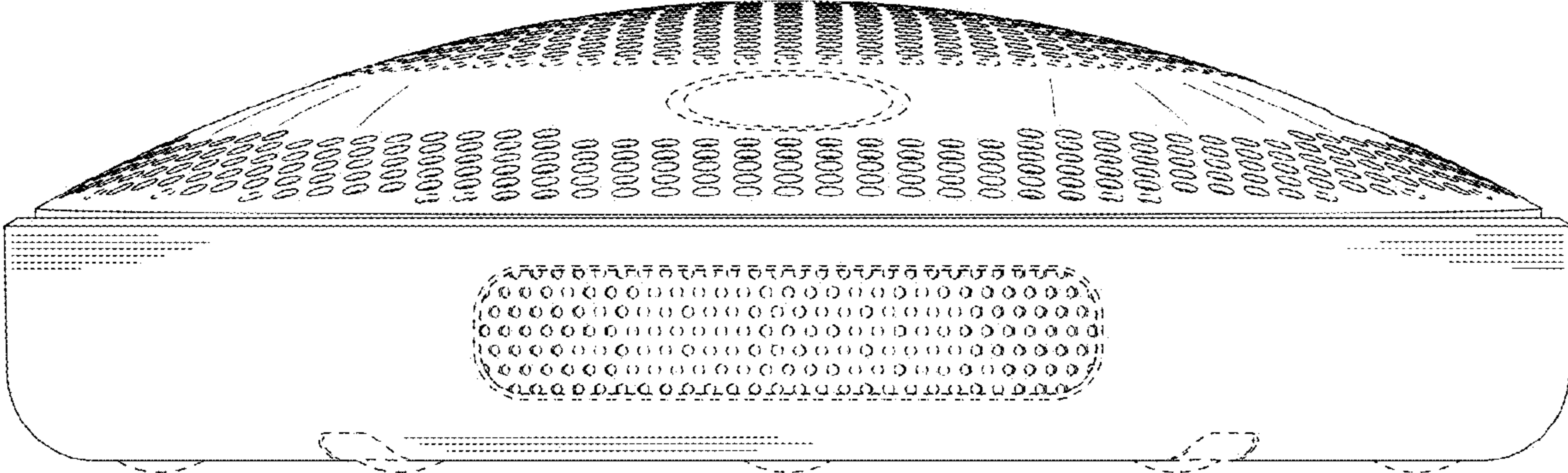


FIG. 1

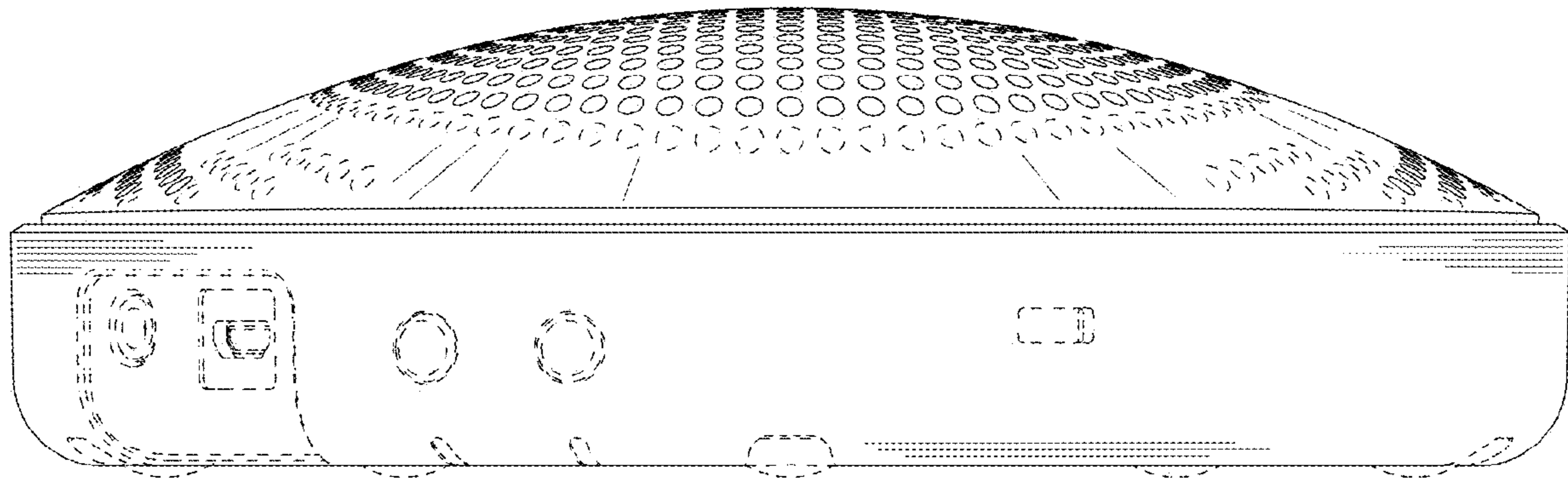


FIG. 2

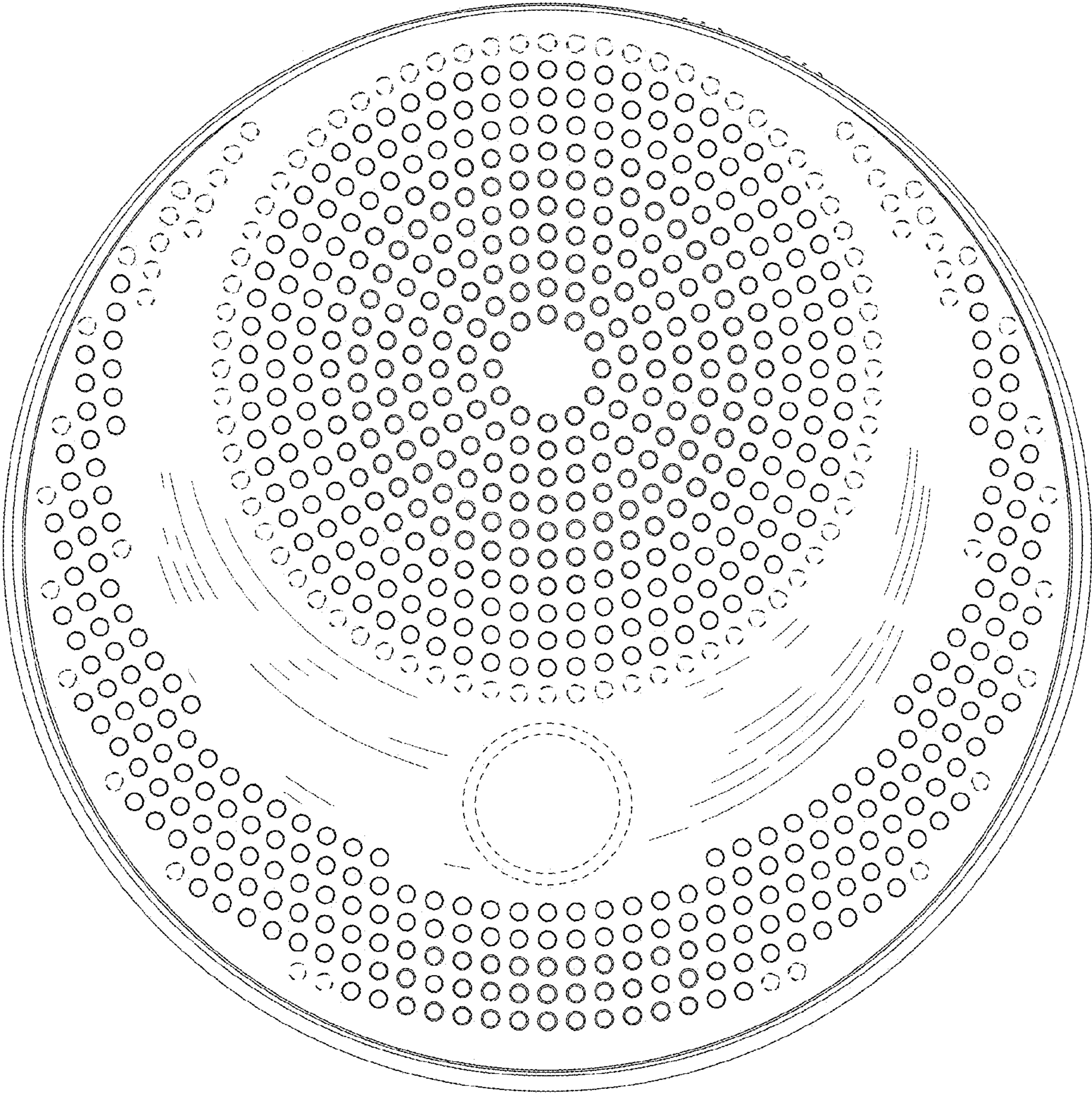


FIG. 3

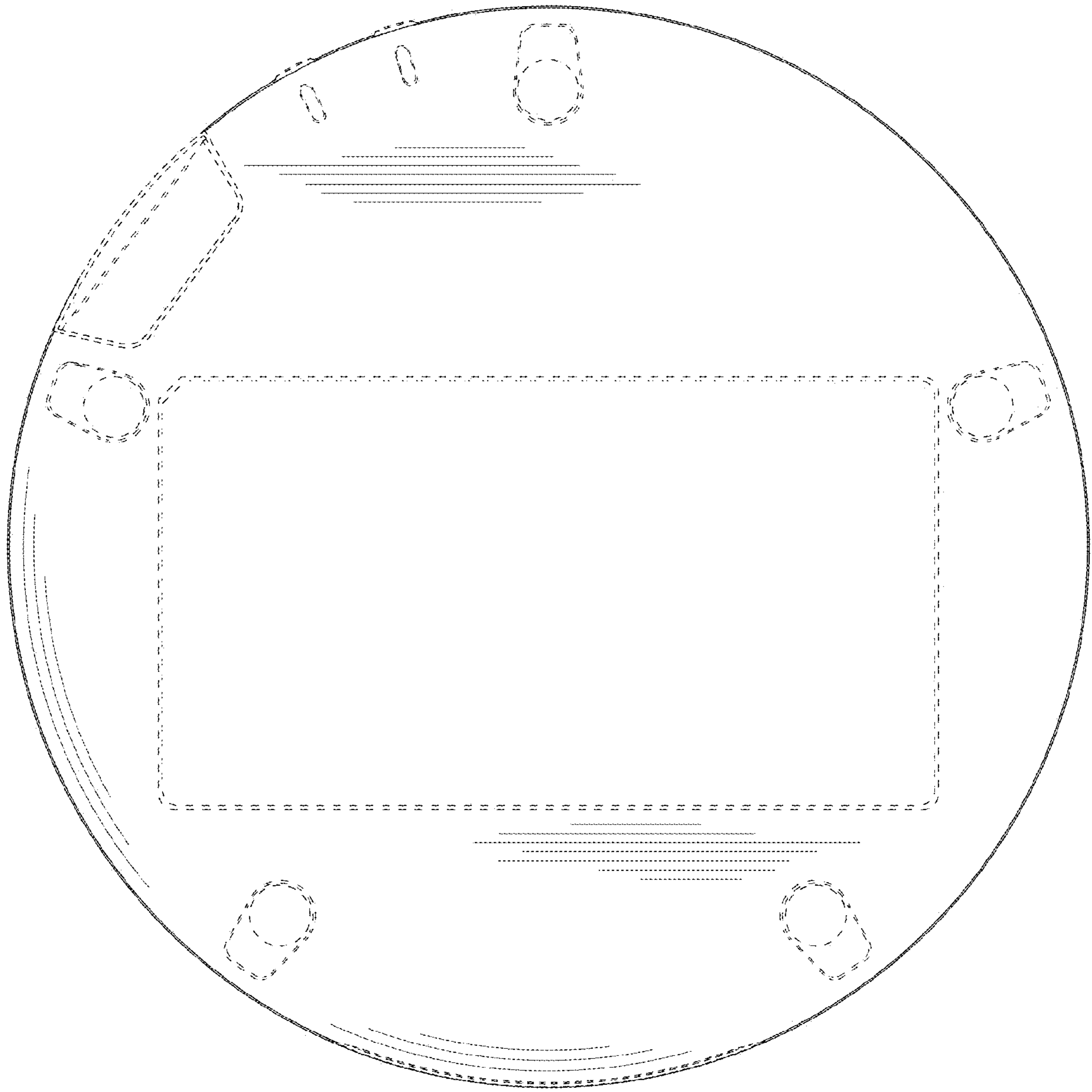


FIG. 4

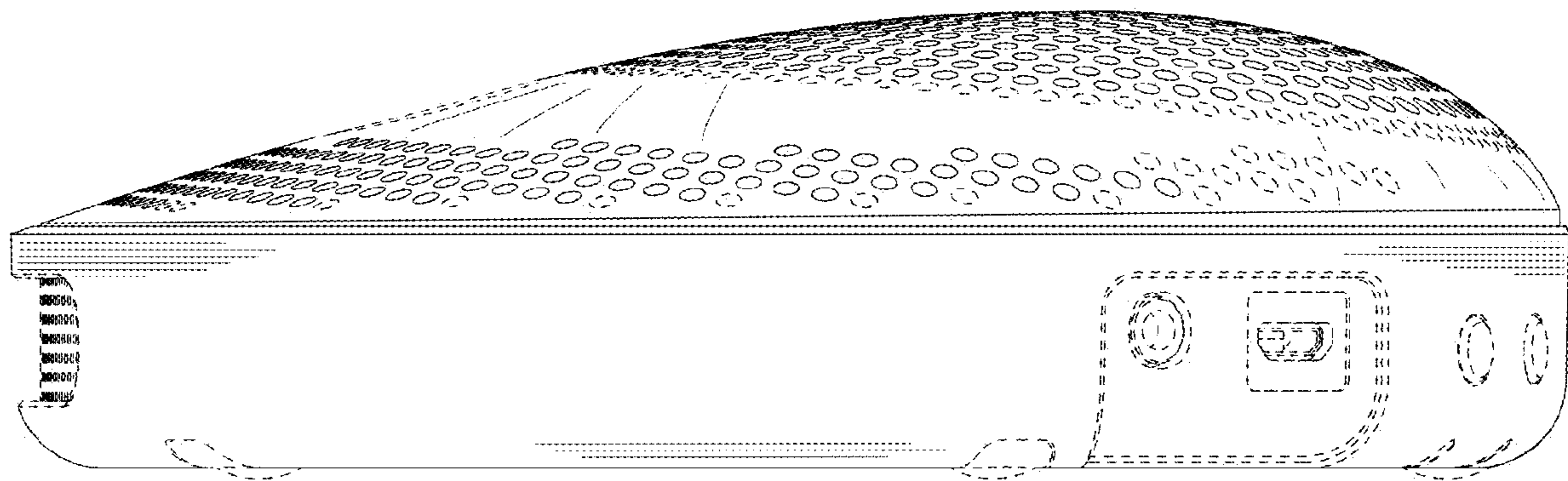


FIG. 5

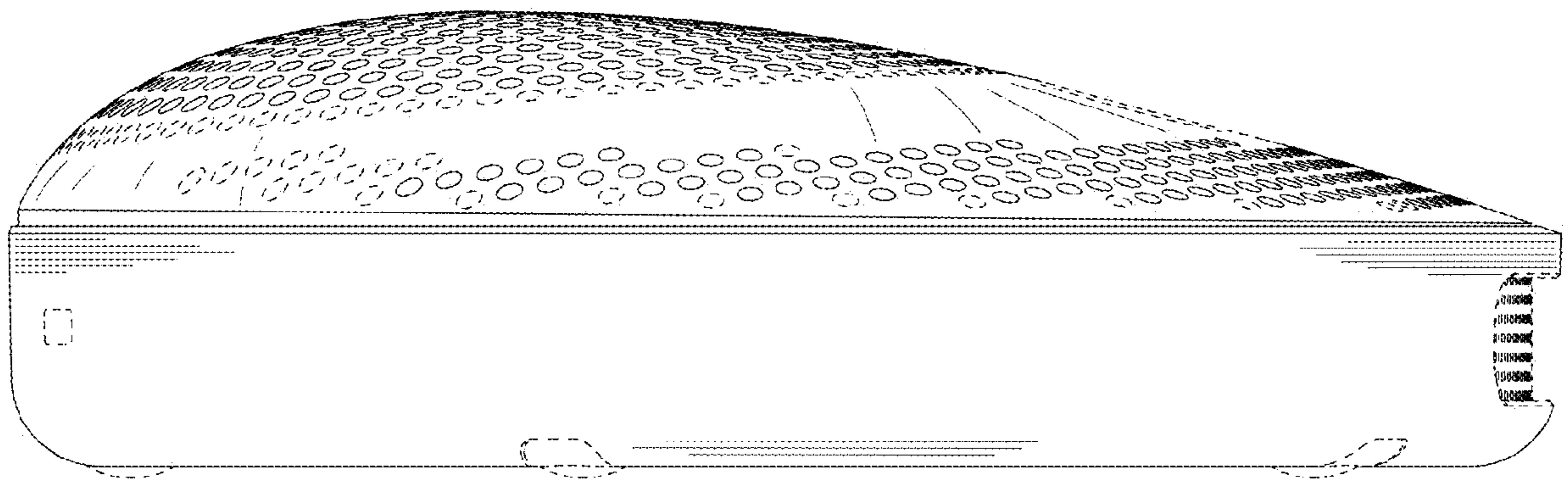


FIG.6